



PowerAcoustik

PWM-19

PARAMETRIC EQUALIZER
WITH SUBWOOFER OUTPUT

OWNER'S MANUAL

ENGLISH

SPECIFICATIONS

- 4-BAND PARAMETRIC SUB 50Hz, LOW 210Hz, MID 1KHz , HI 20KHz.
- BOOST/CUT 18dB
- S/N RATIO 110dB REF 1V INPUT
- FREQUENCY RESPONSE 10Hz - 150KHz, +/-1dB.
- MAXIMUM OUTPUT VOLTAGE ... 7V RMS THD
- THD 0.05%
- INPUT SENSITIVITY 150mV
- HEADROOM 20dB
- INPUT IMPEDANCE 10K OHMS
- STEREO SEPARATION 82dB/1KHz
- OPERATING VOLTAGE 11-15V NEGATIVE GROUND
- OUTPUT IMPEDANCE 50K OHMS
- SIZE (HxWxD) 25m/m X 177 m/m X 115 m/m

*DUE TO OUR CONTINUING EFFORTS TOWARDS PRODUCT IMPROVEMENT , THE ABOVE SPECIFICATIONS ARE SUBJECT TO CHANGE WITHOUT NOTICE.

INTRODUCTION

Congratulation on your purchase of your new preamplifier equalizer. Our sonic excellence is considered our most important objective. Your selection of this component tells us you desire to achieve the same goal. Welcome to the rapic expanding group of disceming audiophiles who rely upon our products.

This manual has been prepared to help you maximize your enjoyment of the outstanding performance and multiple advanced features of this unit. To fully realize the exceptional performance this product is capable of, it is necessary that all signal sources, amplifiers, and speakers are of the highest quality.

EQUALIZER BACKGROUND

There are basically three types of equalizers: graphic, parametric, and a hybrid of these two, often referred to as paragraphic. Additionally, there are passive equalizers, which have no gain, active gain preamps, which have a gain stage usually with a volume control, and booster equalizers which we won't consider here since they are inferior passive equalizers with inexpensive IC amplifiers built-in.

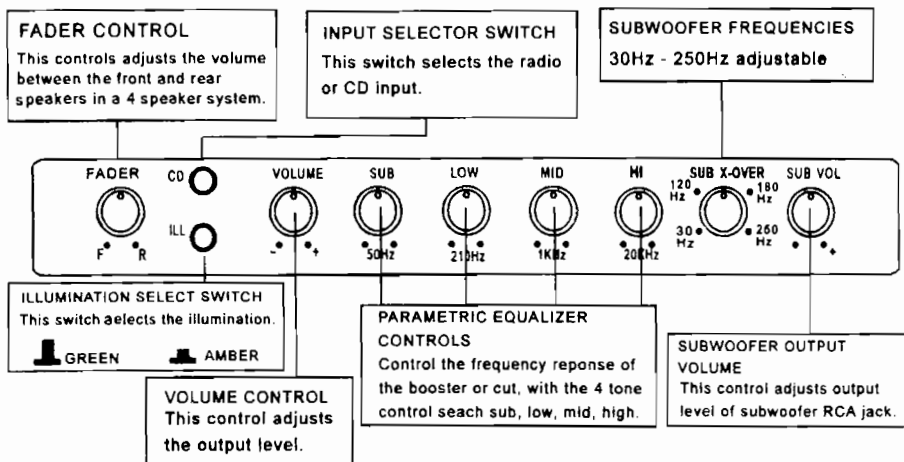
As in state-of-the-art home audio systems the optimum system requires a dedicated preamp with enormous gain to drive the various power amplifiers. Since home audio amplifiers do not have adjustable sensitivity, they require a high output preamplifiers to drive them to maximum levels.

This unit is the first production preamplifier to incorporate a speci. bandwidth parametric equalizer with shelving control. With 18db boost or cut on its four bands, it can compensate for the four acoustic anomalies unique to the automotive environment. This unit easily becomes the "Mission Control Center" of any high end automotive sound system.

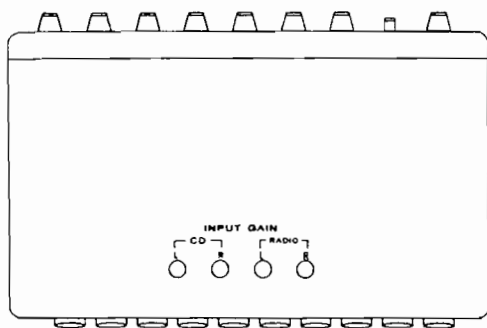
FEATURES

1. Volume control with up to 7 volts RMS of output.
2. Four band parametric equalizer with 18db boost Cut.
3. Specific bandwidth for each band.
4. Low noise BI-FET op-amp design yields minimum distortion.
5. On-board 30V bi-polar switching power supply.
6. Subwoofer outputs and level controls.
7. Subwoofer frequencies adjustable (30Hz- 250Hz).
8. Input selector for Radio or CD.
9. Universal half-DIN chassis for ease of installation.
10. Gold-plated RCA input output connectors.
11. 20dB headroom eliminates signal overload.

FRONT PANEL CONTROLS



CD/RADIO INPUT GAIN CONTROL

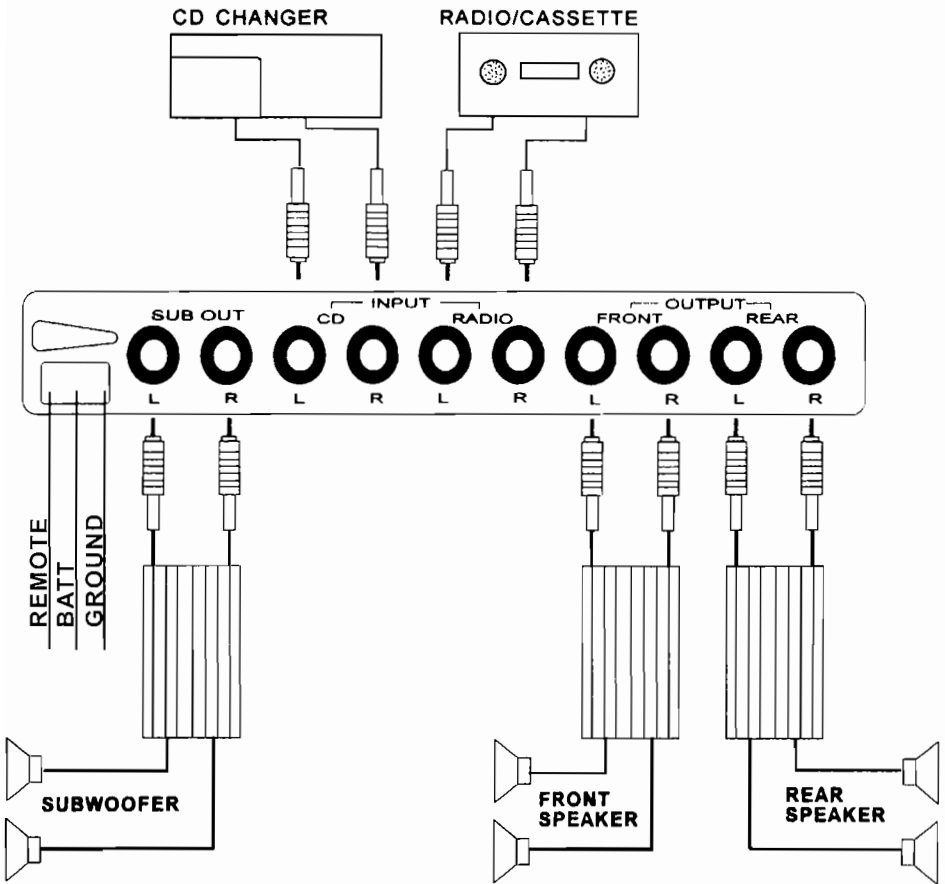


* THE CD/RADIO L/R CHANNEL INPUT CAN BE ADJUSTED FROM THE TOP COVER.

TURN THE KNOB CLOCKWISE TO GAIN THE INPUT LEVEL.

TURN THE KNOB ANTICLOCKWISE TO CUT DOWN THE INPUT LEVEL.

ELECTRICAL INSTALLATION



NOTES:

Set your source volume at one-half to three-quarter up and leave it. Always use your volume as a master(main) volume control. It has better electronics, higher S/N ratio and is more linear than any source unit volume available.

If engine noise is audible , try raising the volume on the source unit, and/or check the ground connection on the unit.