

POWERMASTER

Performance

STARTERS & ALTERNATORS



Because it works...

There's a New Spirit at POWERMASTER

The driving force behind this new spirit is the power of commitment, the power of quality, the power of POWERMASTER!

Everyone at the plant and in the organization can feel it. A renewed excitement in everything we do and a new commitment to quality products and great customer service.



We have always tried to offer exceptional value, but now we are taking it to a whole new level! You'll see it in our friendly employees, the helpfulness of our tech support lines and the quality and innovation of our products.

Come visit the new POWERMASTER . . . you're in for something special. The plant is always open – we enjoy showing people what we do.



Try our product with confidence.

See firsthand what others have already found . . .

POWERMASTER . . .

because it works!

Sold worldwide by people you trust.

Thank you,

All your friends at
POWERMASTER



"Hitachi" STYLE

18:1



#9400

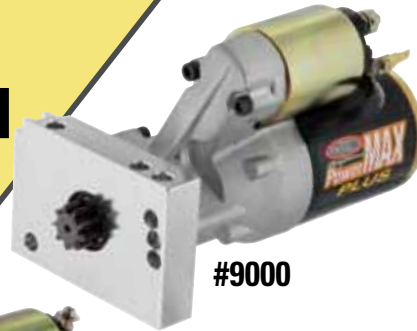
**ULTRA
TORQUE**

16:1



#9004

14:1



#9000

**PowerMAX
PLUS**

11:1



#9100

**PowerMAX
PLUS**

10:1

Original Look Replacement Starters



#9200



#3510



#9162



#3131



"Denso" STYLE

18:1



#9500

**XS
TORQUE**



#9600



MASTERTORQUE



#9300

**PowerMAX
PLUS**

10:1

Original Look Replacement Starters



#3257



Starter Application Quick Guide

Engine Manufacturer	MASTER TORQUE	XS	ULTRA	ULTRA HIGH SPEED
Torque Rating in Ft. Lbs.	180	200	250+	200
Compression Ratio (up to)	14:1	18:1	18:1	15:1
Buick 350, 430, 455 Engines (Eng block mtg only)		9511 ^{1, 2}		
Buick 3.8L (231) 1984-'87 RWD		9502 ¹		
Cadillac V8 368, 425, 472, 500 (Eng block mtg only)		9511 ^{1, 2}		
Chevy Universal Straight Mtg (153 or 168 Tooth)	9600 ²	9540 ^{1, 2}	9400 ¹	9450 ⁴
Chevy 153 Tooth Flywheel (Straight Mount)	9600 ²	9502 ¹	9400 ¹	9450 ⁴
Chevy / ZZ 4 / Pontiac LT-1 Crate Engine, All 153 Tooth		9502 ¹		
Chevy 168 Tooth Flywheel (Straight Mount)	9600 ²	9500 ^{1, 2}	9400 ¹	9450 ⁴
Chevy 168 Tooth Flywheel (Staggered Mount)	9612 ²	9526 ^{1, 2}	9426 ¹	9452 ⁴
Chevy Ram Jet 350, 502-168 Tooth	9612 ²	9526 ^{1, 2}	9426 ¹	9452 ⁴
Chevy / Pontiac LS, LSX Engine 168 Tooth		9509 ^{1, 2}	9409 ¹	
Chevy / GMC LS Model Truck (w/ 4.8L, 5.3L, 6.0L)		9509 ^{1, 2}	9409 ¹	
Chevy 139 Tooth Flywheel (Flywheel same OD as 168T)			9439 ¹	9459 ⁴
Pontiac / Oldsmobile 1965-'81 V8 Exc 301	9610 ²	9510 ^{1, 2}	9410 ¹	9451 ⁴
Ford SB V8 All A/T plus M/T w/157T Flywheel 3/4" depth	9603 ²	9503 ^{1, 2}	9403 ¹	9453 ⁴
Ford SB V8 All M/T w/164T Flywheel 3/8" depth	9604 ²	9504 ^{1, 2}	9404 ¹	9454 ⁴
Ford BB 351M, 400, 429, 460	9605 ²	9505 ^{1, 2}	9405 ¹	9455 ⁴
Ford BB FE 390, 427, 428, 1965 up 185T Flywheel	9606 ²	9506 ^{1, 2}	9406 ¹	9456 ⁴
Ford Flatheads 1932-52 with OE Steel Flywheel		9507 ¹		
Ford Flathead French Flock & Aluminum Flywheel		9508 ¹		
Ford 4.6L, 5.4L 1992-2008, Coyote 5.0L		9532 ¹		
Ford 2300cc 4 Cyl. HI Comp Race Engine		9580 ¹		
AMC Early All V8, L6 Except 4.0L		9515 ^{1, 2}	9415 ¹	9445 ⁴
Jeep-Early Models up to 1987 except 4.0L		9515 ^{1, 2}	9415 ¹	9445 ⁴
Jeep-Late Models with 4.0L		9516 ^{1, 2}	9416 ¹	9446 ⁴
Jeep 2.5L 4 cylinder 1986-98 (w/o firewall solenoid)	9633			
Mopar V8 '65-'87 Cast Alum Mtg Block w/ Nose Cone	9613	9533		
Mopar SB, BB, Hemi, Billet Mtg Block w/o Nose Cone		9513 ^{1, 3}	9413 ¹	9463 ⁴
Mopar SB, BB, Hemi, Billet Mtg Block w/ Nose Cone		9523 ^{1, 5}		
Early Hemi 146 Tooth Flywheel (1951-'56)		9530 ¹		
Early Hemi 172 Tooth Flywheel (1957-'58)		9531 ¹		
Bert Brinn Transmission	9614	9514		
Bert Brinn Transmission Late Model adj mtg block		9529		

1: Chrome add 1 i.e. 19000 2: InfiCLOCK Starter 3: Adj Billet Mtg Block w/o Nose Cone 4: Alcohol Magneto Engines 5: Adj Billet Mtg Block with Nose Cone



Starter Application Quick Guide

Engine Manufacturer	ORIGINAL LOOK	PowerMAX EFI	PowerMAX PLUS		
			Torque Rating in Ft. Lbs.	170	180
Compression Ratio (up to)			11:1	14:1	16:1
Buick 350, 430, 455 Engines (Eng block mtg only)	3631 ¹	9202 ¹			
Buick 3.8L (231) 1984-'87 RWD					
Cadillac V8 368, 425, 472, 500 (Eng block mtg only)	3631 ¹	9202 ¹			
Chevy Universal Straight Mtg (153 or 168 Tooth)			9100 ¹	9000 ¹	9004 ¹
Chevy 153 Tooth Flywheel (Straight Mount)	3631 ¹	9202 ¹	9100 ¹	9000 ¹	9004 ¹
Chevy / ZZ 4 / Pontiac LT-1 Crate Engine, All 153 Tooth		9202 ¹	9100 ¹		
Chevy 168 Tooth Flywheel (Straight Mount)			9100 ¹	9000 ¹	9004 ¹
Chevy 168 Tooth Flywheel (Staggered Mount)	3510 ¹		9112 ¹	9012 ¹	
Chevy Ram Jet 350, 502-168 Tooth		9200 ¹	9112 ¹	9012 ¹	
Chevy / Pontiac LS, LSX Engine 168 Tooth		9201 ¹	9109 ¹	9009 ¹	
Chevy / GMC LS Model Truck (w/ 4.8L, 5.3L, 6.0L)			9109 ¹	9009 ¹	
Chevy 139 Tooth Flywheel (Flywheel same OD as 168T)					
Pontiac / Oldsmobile 1965-'81 V8 Exc 301	3655 ¹				
Ford SB V8 All A/T plus M/T w/157T Flywheel 3/4" depth	3124 ¹	9162 ¹	9103 ¹		
Ford SB V8 All M/T w/164T Flywheel 3/8" depth	3132 ¹	9172 ¹			
Ford BB 351M, 400, 429, 460	3174 ¹	9182 ¹			
Ford BB FE 390, 427, 428, 1965 up 185T Flywheel	3131 ¹				
Ford Flatheads 1932-52 with OE Steel Flywheel	92507 ¹				
Ford Flathead French Flock & Aluminum Flywheel					
Ford 4.6L, 5.4L 1992-2008, Coyote 5.0L		9183 ¹			
Ford 2300cc 4 Cyl. HI Comp Race Engine		9180 ¹			
AMC Early All V8, L6 Except 4.0L	3212 ¹				
Jeep-Early Models up to 1987 except 4.0L					
Jeep-Late Models with 4.0L					
Jeep 2.5L 4 cylinder 1986-98 (w/o firewall solenoid)					
Mopar V8 '65-'87 Cast Alum Mtg Block w/ Nose Cone	3257 ¹			9300	
Mopar SB, BB, Hemi, Billet Mtg Block w/o Nose Cone					
Mopar SB, BB, Hemi, Billet Mtg Block w/ Nose Cone					
Early Hemi 146 Tooth Flywheel (1951-'56)					
Early Hemi 172 Tooth Flywheel (1957-'58)					
Bert Brinn Transmission					
Bert Brinn Transmission Late Model adj mtg block					

1: Chrome add 1 i.e. 19000 2: InfiCLOCK Starter 3: Adj Billet Mtg Block w/o Nose Cone 4: Alcohol Magneto Engines 5: Adj Billet Mtg Block with Nose Cone



"ORIGINAL LOOK" Hi-Torque Retro

UP TO
10:1
COMPRESSION

95 Ft Lbs Torque	Direct Drive	1.4 kw	1.8 HP
-------------------------	---------------------	---------------	---------------

Starters



"Original Look"
Upgraded with Today's
Technology
Same on the Outside...
Better on the Inside!
Stronger & Faster
More Durable & Reliable

#3510

"Original Look" Replacement Starters	Full Size	PowerMAX EFI
AMC / Jeep Early All V8, L6 (Except Jeep 4.0L)	3212	
Buick 350, 430, 455 Engines (Eng block mtg only)	3631	9202
Cadillac Early 368, 425, 472, 500 (Eng block mtg only)	3631	9202
Chevy 153 Tooth Flywheel	3631	9202
Chevy / ZZ 4 / Pontiac LT-1 Crate Engine, All 153 Tooth		9202
Chevy 168 Tooth Flywheel (Stag Cast Iron Mtg)	3689	
Chevy 168 Tooth Flywheel (3 Bolt Bell Housing mtg)	3635	
Chevy 168 Tooth Flywheel (Stag Cast Aluminum Mtg)	3510	9200
Chevy Ram Jet 350, 502-168 Tooth		9200
Chevy / Pontiac LS Engines, Chevy / GMC LS		9201
Pontiac / Oldsmobile V8 1965-81	3655	
Ford SB V8 All A/T plus M/T w/157T Flywheel 3/4" depth	3124	9162
Ford SB V8 All M/T w/164T Flywheel 3.8" depth	3132	9172
Ford BB 351M, 400, 429, 460	3174	9182
Ford BB FE 390, 427, 428 1965 up with 184T Flywheel	3131	
Ford Flatheads 1932-52 "Vintage Torque"	92507	
Ford 4.6L, 5.4L, 1992-2008		9183
Ford 2300cc 2.3L Except Race Engine		9180
Mopar V8, L6, Chrysler, Dodge, Plymouth 1965-87	3257	



"ORIGINAL LOOK" Hi-Torque Retro

UP TO
10:1
COMPRESSION

Starters



#3631



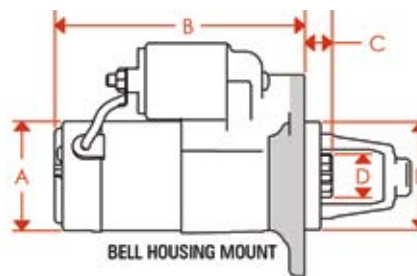
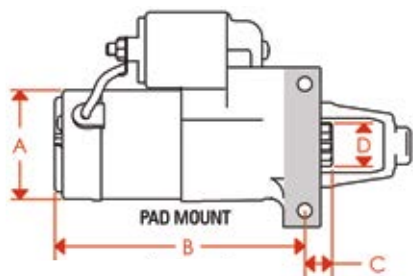
#3635



#3655



#3689



CHEVY

"Original Look" Replacement Starters Full Size	Natural	Chrome	Dimensions/Inch				Weight lbs.
			A	B	C	D	
Buick 350, 455 Engines (Eng Block Mtg Only)	3631	13631	4.50	8.80	0.57	0.98	18.00
Cadillac Early 368, 425, 472, 500 (Eng Block Mtg Only)	3631	13631	4.50	8.80	0.57	0.98	18.00
Chevy 153 Tooth Flywheel	3631	13631	4.50	8.80	0.57	0.98	18.00
Chevy 168 Tooth Flywheel (Stag Cast Iron Mtg)	3689	13689	4.50	8.80	0.57	0.98	21.50
Chevy 168 Tooth Flywheel (3 Bolt Bell Housing Mtg)	3635	13635	4.50	8.80	0.57	0.98	22.50
Chevy 168 Tooth Flywheel (Stag Cast Aluminum Mtg)	3510	13510	4.50	8.80	0.57	0.98	18.00
Pontiac / Oldsmobile V8 1965-81	3655	13655	4.50	8.80	0.57	0.98	18.25



"ORIGINAL LOOK" Hi-Torque Retro

UP TO
10:1
COMPRESSION

95 Ft Lbs Torque	Direct Drive	1.4 kw	1.8 HP
------------------	--------------	--------	--------

Starters



"Original Look"
 Upgraded with Today's Technology
 Same on the Outside - Better on the Inside
 Stronger • Faster • More Durable • More Reliable





"ORIGINAL LOOK" Hi-Torque Retro

UP TO
10:1
COMPRESSION

Starters



#3124



#3132



#3174

FORD

Application			Dimensions/Inch					Weight lbs.
	Natural	Chrome	A	B	C	D	E	
Ford SB V8 All A/T plus M/T w/157T Flywheel, 3/4" depth	3124	13124	4.50	7.70	0.52	0.98	4.08	16.25
Ford SB V8 All M/T w/164T Flywheel, 3/8" depth	3132	13132	4.50	7.70	0.52	0.98	4.08	16.25
Ford BB 351M, 400, 429, 460	3174	13174	4.50	7.70	0.52	0.98	4.08	16.25
Ford BB FE 390, 427, 428, 1965 up 184T Flywheel	3131	13131	4.50	7.70	0.52	0.98	4.08	16.00

AMC / JEEP

Application			Dimensions/Inch					Weight lbs.
	Natural	Chrome	A	B	C	D	E	
Jeep 4 Cyl. '86-'98 2.5L (w/o Firewall Solenoid)	3212	13212	4.50	8.30	0.78	0.99	3.25	16.00

MOPAR

Application			Dimensions/Inch					Weight lbs.
	Natural	Chrome	A	B	C	D	E	
Mopar V8 '65-'87 Cast Alum Mtg Block w/ Nose Cone	3257	13257	4.50	8.90	0.90	1.29	2.80	16.75



PowerMAX

UP TO
10:1
COMPRESSION

160 Ft Lbs Torque

5:1 Gear Reduction

1.4 kw

1.8 HP

Starters



CHEVY

#9200

Rethinking the Ratio Between Size & Power



FORD

#9162

PowerMAX

- Clears most headers
- Permanent magnet for high efficiency
- Works with most oversized kickout oil pans

160 Ft Lbs Torque

4.25:1 Gear Reduction

1.4 kw

1.8 HP



PowerMAX

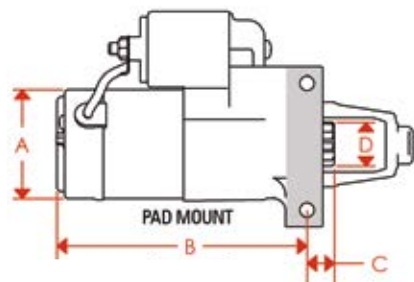
UP TO
10:1
COMPRESSION



#9201



#9202



Starters

CHEVY

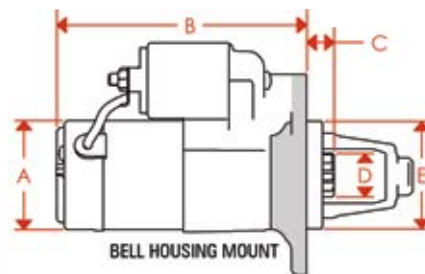
Application	Natural	Chrome	Dimensions/Inch				Weight lbs.
			A	B	C	D	
Buick 350, 430, 455 Engines (Eng block mtg only)	9200	19200	3.10	6.99	0.70	1.16	8.00
Cadillac Early 368, 425, 472, 500 (Eng block mtg only)	9200	19200	3.10	6.99	0.70	1.16	8.00
Chevy 153 Tooth Flywheel	9202	19202	3.10	6.99	0.70	1.16	8.00
Chevy / Z24 / Pontiac LT-1 Crate Engine, All 153 Tooth	9202	19202	3.10	6.99	0.70	1.16	8.00
Chevy 168 Tooth Flywheel (Stag Cast Aluminum mtg)	9200	19200	3.10	6.99	0.70	1.16	8.00
Chevy Ram Jet 350, 502-168 Tooth	9200	19200	3.10	6.99	0.70	1.16	8.00
Chevy / Pontiac LS Engines, Chevy / GMC LS	9201	19201	3.10	6.79	0.70	1.16	8.00



#9172



#9182



#9180



#9183

FORD

Application	Natural	Chrome	Dimensions/Inch					Weight lbs.
			A	B	C	D	E	
Ford SB V8 All A/T plus M/T w/157T Flywheel, 3/4" depth	9162	19162	3.15	6.65	0.61	1.09	4.08	8.00
Ford SB V8 All M/T w/164T Flywheel, 3/8" depth	9172	19172	3.15	6.65	0.22	1.09	4.09	8.00
Ford BB 351M, 400, 429, 460	9182	19182	3.15	6.65	0.50	1.09	4.08	8.00
Ford BB FE 390, 427, 428, 1965 up 184T Flywheel	9183	19183	3.15	6.65	0.28	1.09	2.99	8.00
Ford 2300cc, 2.3L Except Race Engine	9180	19180	3.15	6.65	0.64	1.09	4.08	8.00



**PowerMAX
PLUS**

UP TO
16:1
COMPRESSION

Starters

**Hitachi Style
Replacements**

16:1

Replaces
PE 106 Style



#9004
11.25 lbs

Lightweight!

14:1

Replaces
PP 106 Style



#9000
10.50 lbs

Easy Indexing!

11:1

Replaces
PSL 100 Style



#9100
7.25 lbs

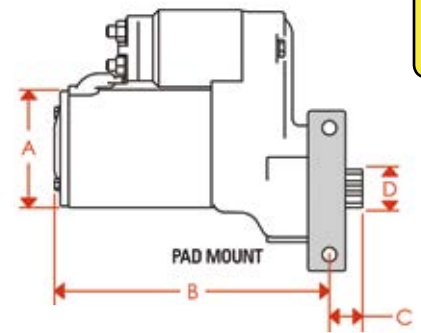


PowerMAX PLUS

UP TO
16:1
COMPRESSION

CHEVY

Application	Natural	Chrome	Dimensions/Inch				Weight lbs.
			A	B	C	D	
Chevy Universal Straight Mtg (153 or 168 Tooth)	9004	19004	3.16	8.25	0.86	0.98	11.25
Chevy 153 Tooth Flywheel (Straight Mount)	9004	19004	3.16	8.25	0.86	0.98	11.25
Chevy 168 Tooth Flywheel (Straight Mount)	9004	19004	3.16	8.25	0.86	0.98	11.25

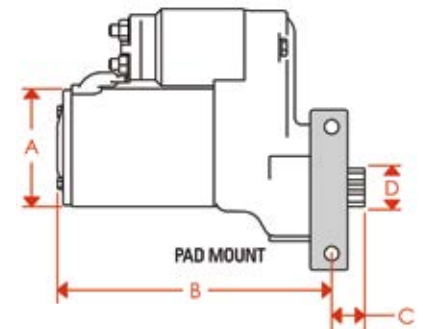
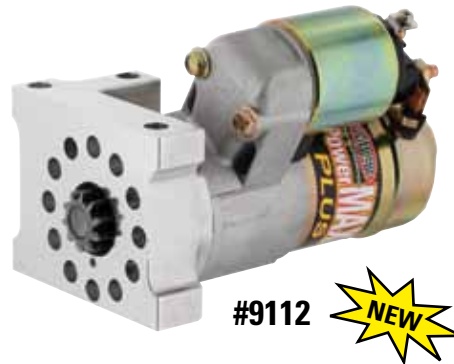
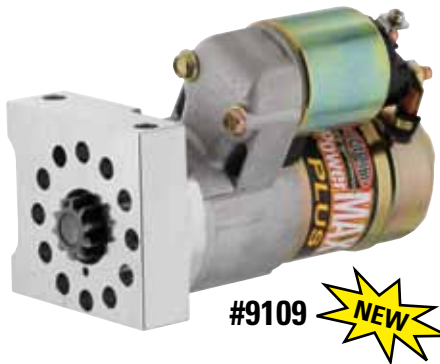


UP TO
16:1
COMPRESSION

Starters

CHEVY

Application	Natural	Chrome	Dimensions/Inch				Weight lbs.
			A	B	C	D	
Chevy Universal Straight Mtg (153 or 168 Tooth)	9000	19000	3.15	7.50	0.86	0.98	10.50
Chevy 153 Tooth Flywheel (Straight Mount)	9000	19000	3.15	7.50	0.86	0.98	10.50
Chevy 168 Tooth Flywheel (Straight Mount)	9000	19000	3.15	7.50	0.86	0.98	10.50
Chevy 168 Tooth Flywheel (Staggered Mount)	9012	19012	3.15	7.70	0.86	0.98	10.75
Chevy Ram Jet 350, 502-168 Tooth	9012	19012	3.15	7.70	0.86	0.98	10.75
Chevy / Pontiac LS, LSX Engines 168 Tooth	9009	19009	3.15	7.70	0.80	0.98	10.50
Chevy / GMC Late Model Truck (w/ 4.8L, 5.3L, 6.0L)	9009	19009	3.15	7.70	0.80	0.98	10.50



UP TO
14:1
COMPRESSION

CHEVY

Application	Natural	Chrome	Dimensions/Inch				Weight lbs.
			A	B	C	D	
Chevy Universal Straight Mtg (153 or 168 Tooth)	9100	19100	2.88	6.93	0.86	1.10	7.25
Chevy 153 Tooth Flywheel (Straight Mount)	9100	19100	2.88	6.93	0.86	1.10	7.25
Chevy / ZZ 4 / Pontiac LT-1 Crate Engine, All 153 Tooth	9100	19100	2.88	6.93	0.86	1.10	7.25
Chevy 168 Tooth Flywheel (Straight Mount)	9100	19100	2.88	6.93	0.86	1.10	7.25
Chevy 168 Tooth Flywheel (Staggered Mount)	9112	19112	2.88	6.27	0.70	1.10	7.50
Chevy Ram Jet 350, 502-168 Tooth	9112	19112	2.88	6.27	0.70	1.10	7.50
Chevy / Pontiac LS, LSX Engines 168 Tooth	9109	19109	2.88	6.65	0.75	1.10	7.50
Chevy / GMC Late Model Truck (w/ 4.8L, 5.3L, 6.0L)	9109	19109	2.88	6.65	0.75	1.10	7.50

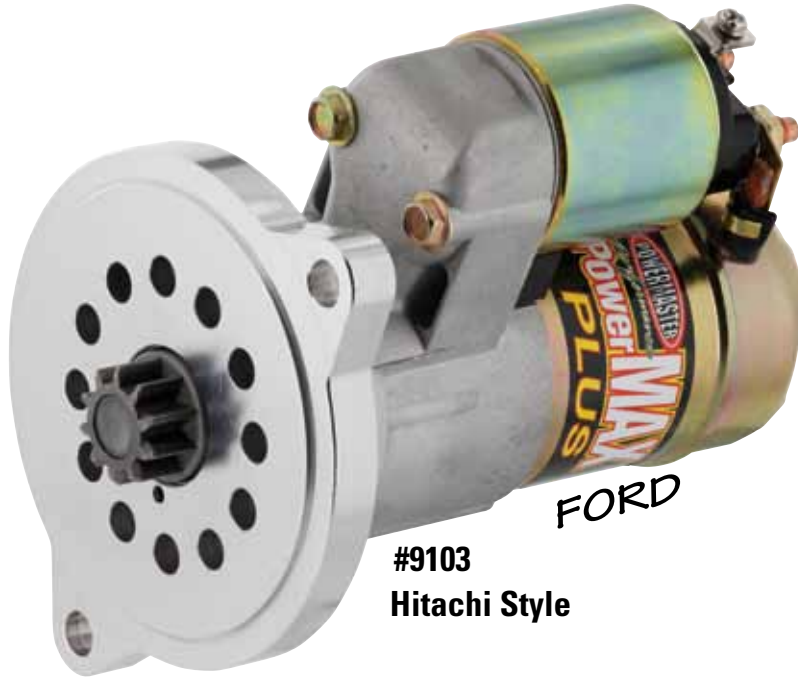
UP TO
11:1
COMPRESSION



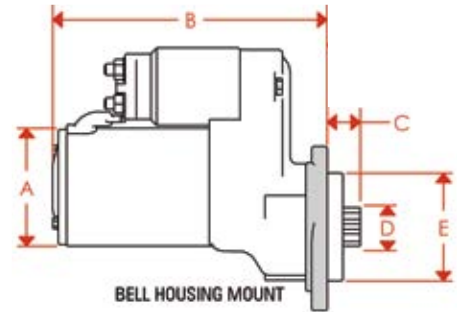
PowerMAX PLUS

UP TO
14:1
COMPRESSION

Starters



UP TO
11:1
COMPRESSION

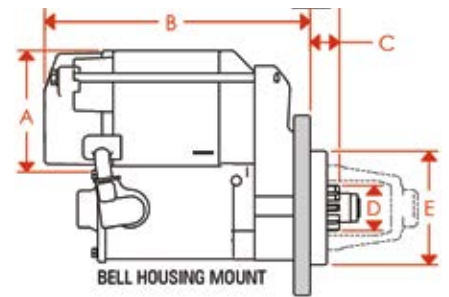


FORD

Application			Dimensions/Inch					Weight lbs.
	Natural	Chrome	A	B	C	D	E	
Ford SB V8 All A/T plus M/T w/157T Flywheel 3/4" depth	9103	19103	2.88	6.88	0.70	1.10	4.08	7.44



UP TO
14:1
COMPRESSION



MOPAR

Application			Dimensions/Inch					Weight lbs.
	Natural	Chrome	A	B	C	D	E	
Mopar V8 1965-'87 Cast Alum. Mtg Block w/ Nose Cone	9300	19380	3.00	6.01	0.90	1.13	2.80	8.50



MASTERTORQUE

UP TO
14:1
COMPRESSION

180 Ft Lbs Torque

3.25:1 Gear Reduction

1.4 kw

1.8 HP

Starters



#9600

CHEVY

Very Durable
Black Wrinkle Finish!



Hold it...
Touch it...
Feel it...
Get to know it!

The InfiCLOCK System

- InfiCLOCK Design for 360 degree rotation
- Clears most oil pans and headers
- Adjustable mounting block
- No heat soak or hot start problems
- Machined aluminum adapter block





MASTERTORQUE

UP TO
14:1
COMPRESSION

Starters



#9610

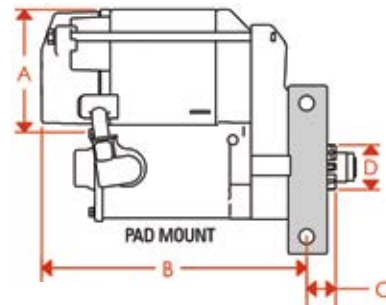


#9612

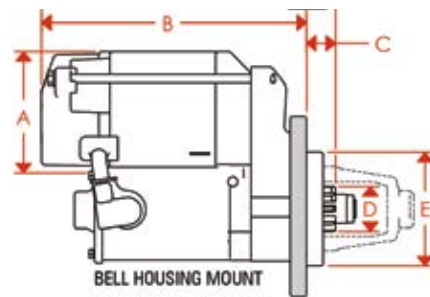
CHEVY

Application	Black Wrinkle	Dimensions/Inch				Weight lbs.
		A	B	C	D	
Chevy Universal Straight Mtg (153 or 168 Tooth)	9600	3.00	6.78	0.86	1.14	10.50
Chevy 153 Tooth Flywheel (Straight Mount)	9600	3.00	6.78	0.86	1.14	10.50
Chevy 168 Tooth Flywheel (Straight Mount)	9600	3.00	6.78	0.86	1.14	10.50
Chevy 168 Tooth Flywheel (Staggered Mount)	9612	3.00	6.78	0.86	1.14	11.00
Chevy Ram Jet 350, 502-168 Tooth	9612	3.00	6.78	0.86	1.14	11.00
Pontiac / Oldsmobile 1965-1981 V8 Exc 301	9610	3.00	6.78	0.86	1.14	10.50

Replacement Parts	Clutch Assembly	Bolt/Shim Pack
9600	621	607-2
9610	621	607-2
9612	621	607-2



#9614



CIRCLE TRACK

Application	Black Wrinkle	Dimensions/Inch					Weight lbs.
		A	B	C	D	E	
Bert Brinn Transmission	9614	3.00	6.75	1.34	1.14	2.90	10.25



MASTERTORQUE

UP TO
14:1
COMPRESSION

180 Ft Lbs Torque

3.25:1 Gear Reduction

1.4 kw

1.8 HP

Starters



FORD

#9603

Very Durable
Black Wrinkle Finish!



Hold it...
Touch it...
Feel it...
Get to know it!



AMC
JEEP

#9633



MOPAR

#9613



MASTERTORQUE

UP TO
14:1
COMPRESSION

Starters



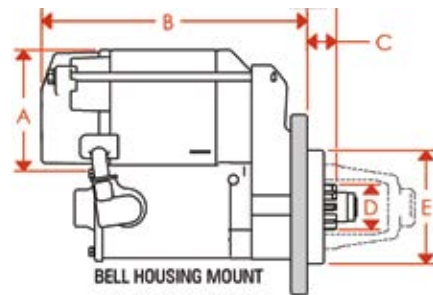
#9604



#9605



#9606



FORD

Application	Black Wrinkle	Tech Bullet	Dimensions/Inch					Weight lbs.
			A	B	C	D	E	
Ford SB V8 All A/T plus M/T w/157T Flywheel, 3/4" depth	9603	TB102	3.00	6.94	0.70	1.14	4.08	10.75
Ford SB V8 All M/T w/164T Flywheel, 3/8" depth	9604	TB102	3.00	7.36	0.28	1.14	4.13	10.75
Ford BB 351M, 400, 429, 460	9605		3.00	7.09	0.55	1.14	4.08	10.75
Ford BB FE 390, 427, 428, 1965 up 184T Flywheel	9606		3.00	6.99	0.65	1.14	4.08	10.50

AMC / JEEP

Application	Black Wrinkle	Dimensions/Inch				Weight lbs.
		A	B	C	D	
Jeep 4 Cyl. '86-'98 2.5L (w/o firewall solenoid)	9633	3.00	6.66	0.98	1.14	10.75

MOPAR

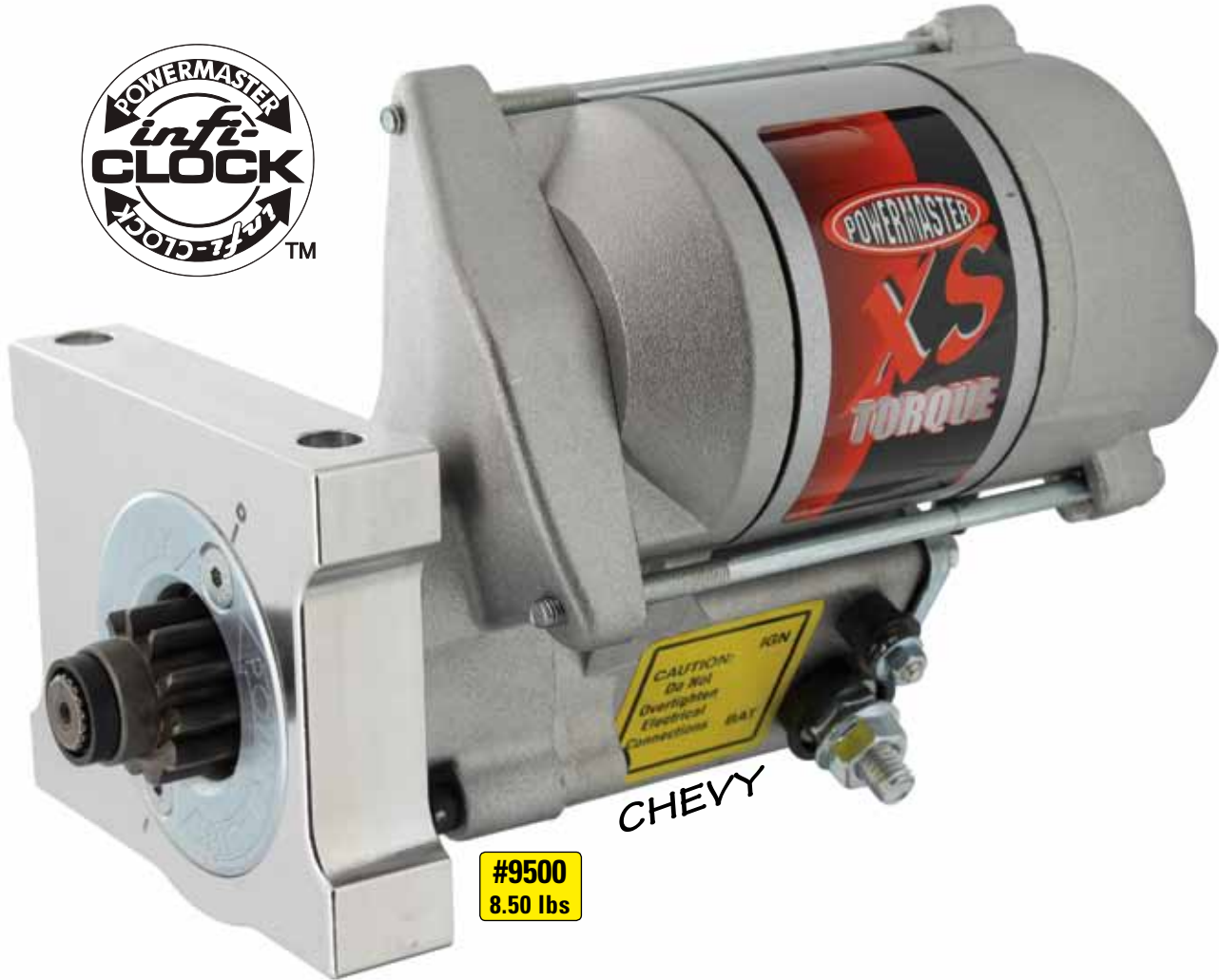
Application	Black Wrinkle	Dimensions/Inch					Weight lbs.
		A	B	C	D	E	
Mopar V8 '65-'87 Cast Alum Mtg Block w/ Nose Cone	9613	3.00	6.74	0.90	1.30	2.80	10.25



XS TORQUE

UP TO
18:1
COMPRESSION

200 Ft Lbs Torque | 4.4:1 Gear Reduction | Up To 1.4 kw | Up To 1.8 HP



The InfiCLOCK System

- InfiCLOCK Design for 360 degree rotation
- Clears most oil pans and headers
- The lightest 200 ft. lb. starter available
- No heat soak or hot start problems
- Machined aluminum adapter block
- Adjustable mounting block





XS TORQUE

UP TO
18:1
COMPRESSION

Starters



#9502
Solid Block



#9509
1.2 kw / 1.6 HP



#9510



#9511



#9526



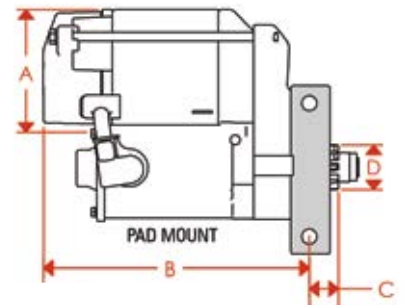
#9540



#9518



#9519



1.8 kw **2.4 HP**

Application	Natural	Chrome	Dimensions/Inch				Weight lbs.
			A	B	C	D	
Buick 350, 430, 455 Engines (Eng Block Mtg Only)	9511	19511	3.00	6.07	0.84	1.14	8.50
Buick 3.8L (231), 1984-1987 RVD	9502	19502	3.00	6.05	0.86	1.14	8.25
Cadillac V8 368, 425, 472, 500 (Eng Block Mtg Only)	9511	19511	3.00	6.07	0.84	1.14	8.50
Chevy Universal Straight Mtg (153 or 168 Tooth)	9540	19540	3.00	6.05	0.86	1.14	8.75
Chevy 153 Tooth Flywheel (Straight Mount)	9502	19502	3.00	6.05	0.86	1.14	8.25
Chevy, ZZ 4, Pontiac LT-1 Crate Engine, All 153 Tooth	9502	19502	3.00	6.05	0.86	1.14	8.25
Chevy 168 Tooth Flywheel (Straight Mount)	9500	19500	3.00	6.05	0.86	1.14	8.50
Chevy 158 Tooth Flywheel (Staggered Mount)	9526	19526	3.00	6.05	0.86	1.30	9.00
Chevy Ram Jet 350, 502-168 Tooth 9112 9012	9526	19526	3.00	6.05	0.86	1.30	9.00
Chevy / Pontiac LS, LSX Engines 168 Tooth, 1.2 kw/1.6 HP	9509	19509	3.00	5.67	0.79	1.14	8.25
Chevy / GMC LS Truck (w/ 4.8L, 5.3L, 6.0L), 1.2 kw/1.6 HP	9509	19509	3.00	5.67	0.79	1.14	8.25
Pontiac / Oldsmobile 1965-1981 V8 Exc 301	9510	19510	3.00	6.05	0.90	1.14	8.50
Grave Digger Driver's Side Mtg, 1.8 kw/2.4 HP	9518	n/a	3.00	7.00	0.86	1.14	10.25
Grave Digger Passenger's Side Mtg, 1.8 kw/2.4 HP	9519	n/a	3.00	7.00	0.86	1.14	10.25



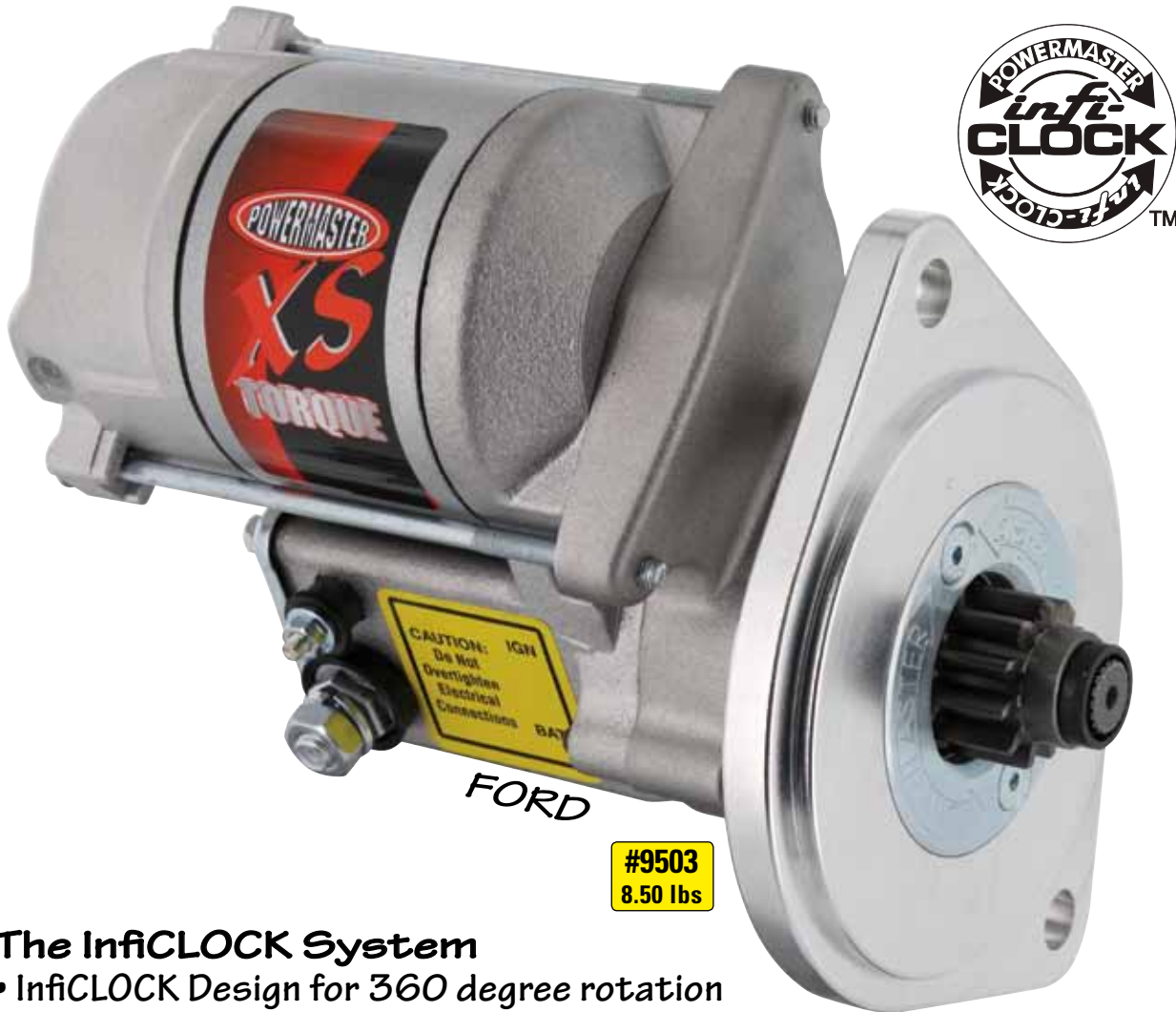


XS TORQUE

UP TO
18:1
COMPRESSION

200 Ft Lbs Torque | 4.4:1 Gear Reduction | Up To 1.4 kw | Up To 1.8 HP

Starters



FORD

#9503
8.50 lbs

The InficLOCK System

- InficLOCK Design for 360 degree rotation
- Clears most oil pans and headers
- The lightest 200 ft. lb. starter available
- No heat soak or hot start problems
- Machined aluminum adapter block
- Adjustable mounting block





XS TORQUE

UP TO
18:1
COMPRESSION

Starters



#9504



#9505



#9506



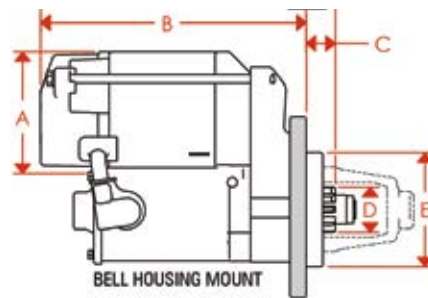
#9507
1.2 kw / 1.6 HP



#9508
1.2 kw / 1.6 HP



#9532
1.2 kw / 1.6 HP
"Coyote"



FORD

Application	Natural	Chrome	Tech Bullet	Dimensions/Inch					Weight lbs.
				A	B	C	D	E	
Ford SB V8 All A/T plus M/T w/157T Flywheel, 3/4" depth	9503	19503	TB102	3.00	6.21	0.70	1.14	4.08	8.50
Ford SB V8 All M/T w/164T Flywheel, 3/8" depth	9504	19504	TB102	3.00	6.63	0.28	1.14	4.13	8.75
Ford BB 351M, 400, 429, 460	9505	19505		3.00	6.36	0.55	1.14	4.08	8.75
Ford BB FE 390, 427, 428, 1965 up 184T Flywheel	9506	19506		3.00	6.26	0.65	1.14	4.07	8.50
Ford Flatheads 1932-1952 with OE Steel Flywheel, 1.2 kw	9507	19507		3.00	5.54	1.00	1.56	2.99	8.00
Ford Flathead French Block & Aluminum Flywheel, 1.2 kw	9508	19508		3.00	5.35	1.19	1.56	2.99	8.00
Ford 4.6L, 5.4L 1992-2008, Coyote 5.0L, 1.2 kw	9532	19532		3.00	6.25	0.56	1.26	2.99	7.75



XS TORQUE

UP TO
18:1
COMPRESSION

Starters



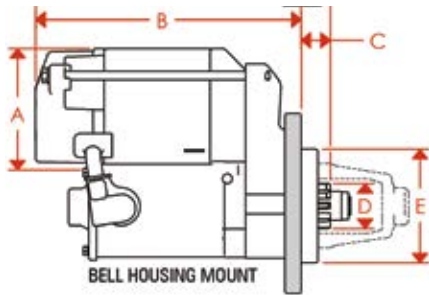
#9515
1.2 kw / 1.6 HP



#9516
1.2 kw / 1.6 HP

AMC / JEEP

Application	Natural	Chrome	Dimensions/Inch					Weight lbs.
			A	B	C	D	E	
AMC Early All V8, L6 except 4.0L, 1.2 kw/1.6 HP	9515	19515	3.00	6.13	0.69	0.99	3.24	8.25
Jeep: Early Models up to 1987 except 4.0L, 1.2 kw/1.6 HP	9515	19515	3.00	6.13	0.69	0.99	3.24	8.25
Jeep: Late Models with 4.0L, 1.2 kw/1.6 HP	9516	19516	3.00	6.63	0.22	0.99	3.24	8.25



#9533

"Nose" Style
for pilot hole
applications



#9513



#9523

MOPAR

Application	Natural	Chrome	Dimensions/Inch					Weight lbs.
			A	B	C	D	E	
Mopar V8 '65-'87 Cast Alum Mtg Block w/ Nose	9533	19533	3.00	6.01	0.90	1.13	2.80	7.75
Mopar SB, BB, Hemi, Billet Mtg Block w/o Nose	9513	19513	3.00	5.63	0.90	1.13	2.80	7.50
Mopar SB, BB, Hemi, Billet Mtg Block w/ Nose Cone	9523	19523	3.00	5.63	0.90	1.13	3.25	8.00



XS TORQUE

RACE

UP TO
18:1
COMPRESSION



#9580



#9534

ROAD RACE

Application	Natural	Chrome	Dimensions/Inch					Weight lbs.
			A	B	C	D	E	
Ford 2300cc 4 Cyl. Hi Comp Race Engine	9580	19580	3.00	5.88	0.70	1.14	4.08	8.00
VW / PORSCHE Air Cooled	9534	19534	3.00	5.86	1.33	0.98	2.97	8.00



#9514



#9529



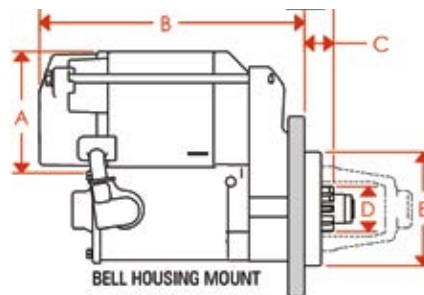
#9528

CIRCLE TRACK

Application	Natural	Chrome	Dimensions/Inch					Weight lbs.
			A	B	C	D	E	
Bert Brinn Transmission	9514	19514	3.00	6.00	1.34	1.15	2.90	8.50
Bert Brinn Late Model Adj Mtg Block	9529	19529	3.00	6.00	1.34	1.15	2.90	8.50
Quartermaster Style Bell Mtg CCW	9528	19528	3.00	6.13	1.07	0.98	2.25	8.00



#9530



#9531

HEMI

Application	Natural	Chrome	Dimensions/Inch					Weight lbs.
			A	B	C	D	E	
Early Hemi 146 Tooth Flywheel 1951-1956	9530	19530	3.00	5.76	1.35	1.13	3.25	8.00
Early Hemi 172 Tooth Flywheel 1957-1958	9531	19531	3.00	5.76	1.35	1.13	3.25	8.00

Starters



DIESEL ULTRA DUTY

260 Ft Lbs Torque

3.8:1 Gear Reduction

2.7 kw

3.6 HP

Starters



#9052

Upgrade Your Existing Starter's Performance
Powermaster's New Diesel Offerings

Stronger • Faster • Tougher

These starters are able to turn over the most aggressive diesel engines in the harshest of environments.

Factory refurbishing service is an available option for all Powermaster starters.



DIESEL

ULTRA DUTY

Starters

CHEVY / GMC DIESEL

Application	Natural	Dimensions/Inch					Weight lbs.
		A	B	C	D	E	
Chevy / GMC Diesel 1500-3500 (6.2L, 6.5L) 1982-2002	9052	3.40	10.25	2.40	1.34	3.23	17.50



#9051

FORD DIESEL

Application	Natural	Dimensions/Inch					Weight lbs.
		A	B	C	D	E	
Ford Diesel F150-F350 6.9L, 7.3L 1985-94 Exc. Powerstroke	9050	3.75	8.75	1.88	1.55	3.50	18.75
Ford Diesel F150-F350 7.3L 1994-2002 Powerstroke	9051	3.75	9.38	1.25	1.55	3.50	18.75



#9053

MOPAR / CUMMINS DIESEL

Application	Natural	Dimensions/Inch					Weight lbs.
		A	B	C	D	E	
Mopar / Cummins 5.9L 1994-2002	9053	3.75	8.75	1.88	1.55	3.50	17.75



ULTRA TORQUE

UP TO
18:1
COMPRESSION

250 Ft Lbs Torque

4.4:1 Gear Reduction

2.5 kw

3.4 HP

Starters

"One of a Kind"
The brainchild of
our Chief Engineer!



**Our
BEST!**

The "ULTRA TORQUE"

- Hard Core Racers ask for it by Name!
- Designed & Made in our U.S.A. Factory
- Indexable feature for clearance
- Great for big cubic inch motors
- The Starter that just keeps on giving!



ULTRA TORQUE

UP TO
18:1
COMPRESSION

Starters



#9426



#9409



#9439

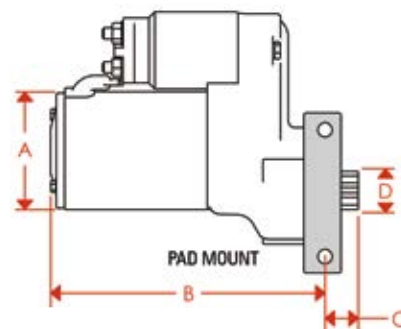


#9410

CHEVY

Application			Dimensions/Inch				Weight lbs.
	Natural	Chrome	A	B	C	D	
Chevy Universal Straight Mfg (153 or 168 Tooth)	9400	19400	3.16	7.49	0.86	0.98	10.50
Chevy 153 Tooth Flywheel (Straight Mount)	9400	19400	3.16	7.49	0.86	0.98	10.50
Chevy 168 Tooth Flywheel (Straight Mount)	9400	19400	3.16	7.49	0.86	0.98	10.50
Chevy 168 Tooth Flywheel (Staggered Mount)	9426	19426	3.16	7.49	0.86	0.98	10.75
Chevy Ram Jet 350, 502-168 Tooth	9426	19426	3.16	7.49	0.86	0.98	10.75
Chevy / Pontiac LS, LSX Engines, 168 Tooth	9409	19409	3.16	7.00	0.84	0.98	10.25
Chevy / GMC Late Model Truck (w/ 4.8L, 5.3L, 6.0L)	9409	19409	3.16	7.00	0.84	0.98	10.25
Chevy 139 Tooth Flywheel (Flywheel same OD as 168T)	9439	19439	3.16	7.50	0.84	1.15	10.50
Pontiac / Oldsmobile 1965-1981 V8 Exc 301	9410	19410	3.16	7.49	0.47	0.98	10.25

Replacement Parts	Clutch Assembly	Solenoid	Bolt/Shim Pack
9400	602	601	607
9409	602	601	607-9
9410	602	601	607
9426	602	601	607
9439	602-1	601	607





ULTRA TORQUE

UP TO
18:1
COMPRESSION

250 Ft Lbs Torque

4.4:1 Gear Reduction

2.5 kw

3.4 HP

Starters

"One of a Kind"
The brainchild of
our Chief Engineer!



FORD

#9403
10.50 lbs

**Our
BEST!**



AMC
JEEP

#9415



MOPAR

#9413



ULTRA TORQUE

UP TO
18:1
COMPRESSION

Starters



#9404



#9405



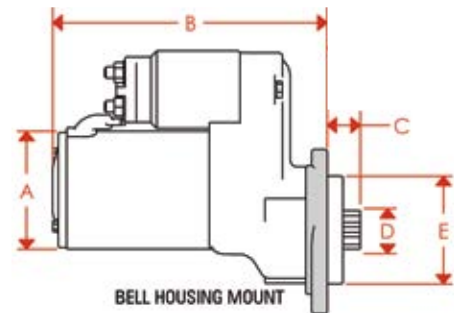
#9406

FORD

Application	Natural	Chrome	Dimensions/Inch					Weight lbs.
			A	B	C	D	E	
Ford SB V8 All A/T plus M/T w/157T Flywheel 3/4" depth	9403	19403	3.16	7.65	0.70	0.98	4.08	10.50
Ford SB V8 All M/T w/164T Flywheel 3/8" depth	9404	19404	3.16	8.07	0.28	0.98	4.13	10.75
Ford BB 351M, 400, 429, 460	9405	19405	3.16	7.80	0.55	0.98	4.08	10.50
Ford BB FE 390, 427, 428, 1965 up 184T Flywheel	9406	19406	3.16	7.70	0.65	0.98	4.07	10.25



#9415



AMC / JEEP

Application	Natural	Chrome	Dimensions/Inch					Weight lbs.
			A	B	C	D	E	
AMC Early ALL V8, L6 Except 4.0L	9415	19415	3.16	7.65	0.70	0.98	3.22	10.50
Jeep-Early Models up to 1987 except 4.0L	9415	19415	3.16	7.65	0.70	0.98	3.22	10.50
Jeep-Late Models with 4.0L	9416	19416	3.16	8.13	0.22	0.98	3.22	10.75

MOPAR

Application	Natural	Chrome	Dimensions/Inch					Weight lbs.
			A	B	C	D	E	
Mopar SB, BB, Hemi, Billet Mfg Block w/o nose cone	9413	19413	3.16	7.29	1.00	1.15	2.80	10.00



ULTRA HIGH SPEED

UP TO
15:1
COMPRESSION

200 Ft Lbs Torque

3.75:1 Gear Reduction

2.2 kw

3.0 HP

Starters



CHEVY

25% More
Cranking
Speed!

#9450
10.50 lbs

You asked...
...we listened!
*The Fastest
Production
Starter
Available!*

Thanks, Mario!

The "ULTRA TORQUE HS"

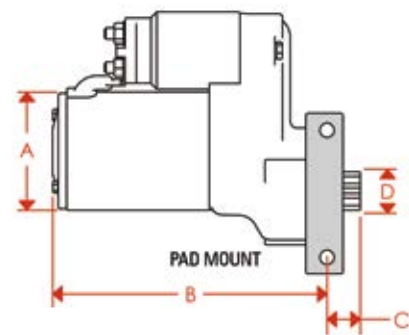
- Perfect for any Engine Requiring Higher than normal Cranking Speed
- Ideal for Blown Alcohol Engines and Engines with Magnetos
- Faster Starts, Less Kick Backs
- 12/16 Volt Systems
- Machined Billet Adjustable Mtg Block



ULTRA HIGH SPEED

UP TO
15:1
COMPRESSION

Starters



CHEVY

Application			Dimensions/Inch				Weight lbs.
	Natural	Chrome	A	B	C	D	
Chevy Universal Straight Mfg (153 or 168 Tooth)	9450	19450	3.16	7.49	0.86	0.98	10.50
Chevy 153 Tooth Flywheel (Straight Mount)	9450	19450	3.16	7.49	0.86	0.98	10.50
Chevy 168 Tooth Flywheel (Straight Mount)	9450	19450	3.16	7.49	0.86	0.98	10.50
Chevy 168 Tooth Flywheel (Staggered Mount)	9452	19452	3.16	7.49	0.86	0.98	10.75
Chevy Ram Jet 350, 502-168 Tooth	9452	19452	3.16	7.49	0.86	0.98	10.75
Chevy 139 Tooth Flywheel (Flywheel same OD as 168T)	9459	19459	3.16	7.50	0.84	1.15	10.50
Pontiac / Oldsmobile 1965-1981 V8 Exc 301	9451	19451	3.16	7.48	0.47	0.98	10.25



ULTRA HIGH SPEED

UP TO
15:1
COMPRESSION

200 Ft Lbs Torque

3.75:1 Gear Reduction

2.2 kw

3.0 HP

Starters

25% More
Cranking
Speed!



#9453
10.50 lbs



FORD



#9445
10.50 lbs



AMC
JEEP



#9463
10.00 lbs



MOPAR



ULTRA HIGH SPEED

UP TO
15:1
COMPRESSION

Starters



#9454



#9455



#9456

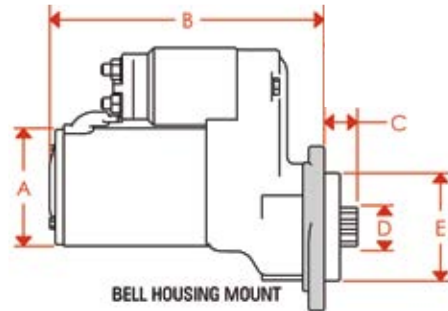


FORD

Application	Natural	Chrome	Dimensions/Inch					Weight lbs.
			A	B	C	D	E	
Ford SB V8 All A/T plus M/T w/157T Flywheel 3/4" depth	9453	19453	3.16	7.65	0.70	0.98	4.08	10.50
Ford SB V8 All M/T w/164T Flywheel 3/8" depth	9454	19454	3.16	8.07	0.28	0.98	4.13	10.75
Ford BB 351M, 400, 429, 460	9455	19455	3.16	7.80	0.55	0.98	4.08	10.50
Ford BB FE 390, 427, 428, 1965 up 184T Flywheel	9456	19456	3.16	7.70	0.65	0.98	4.07	10.25



#9446



AMC / JEEP

Application	Natural	Chrome	Dimensions/Inch					Weight lbs.
			A	B	C	D	E	
AMC Early All V8, L6 Except 4.0L	9445	19445	3.16	7.65	0.70	0.98	3.22	10.50
Jeep-Early Models up to 1987 Except 4.0L	9445	19445	3.16	7.65	0.70	0.98	3.22	10.50
Jeep-Late Models with 4.0L	9446	19446	3.16	8.13	0.22	0.98	3.22	10.75

MOPAR

Application	Natural	Chrome	Dimensions/Inch					Weight lbs.
			A	B	C	D	E	
Mopar SB, BB, Hemi, Billet Mfg Block w/o Nose Cone	9463	19463	3.16	7.29	1.00	1.15	2.80	10.00



RACE ALTERNATORS

Alternators



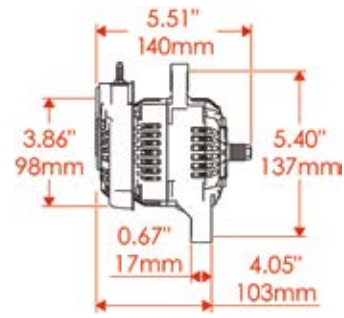
Adjusting Ear Bolt

93 mm

DENSO Style Race Prepped

- True one wire hookup
- 12 Volt and 16 Volt
- High output to weight ratios
- Low drag, high speed bearings
- Our *smallest and lightest!*

Only 5.75 lbs



#8162
#8182

IDLE TOP END
30 55
55 AMP

IDLE TOP END
7 75
75 AMP

Steel Insert
Stops Vibration Wear

Denso 93mm	Black w/o Pulley	Natural w/Pulley	Polish w/Pulley
55A 12 Volt	8162	8172	28162
55A 16 Volt	8166	8176	28166
55A XS Volt™ XS	8168	8178	28168
75A 12 Volt	8182	8192	28182
75A XS Volt™ XS	8188	8198	28188

Max RPM: 20,000



Only 6.55 lbs

XS Volt™ Unique Voltage Control System

XS Volt™ for Electrical Stability

XS Volt™ is a powerful internal regulating system. These alternators offer the highest stability for modern electrical systems.



Digital Control - response time in milliseconds vs. seconds for analog regulators

Adjustable Voltage - adjustable between 13.5 and 19 volts, Great for 12v, 14v or 16v systems

Powerful & Reliable Internals - short circuit protection and loss of ground protection in a sealed, vibration resistant housing

See Detailed Instruction Sheet

#8172
#8176

IDLE TOP END
30 55
55 AMP

IDLE TOP END
7 75
75 AMP



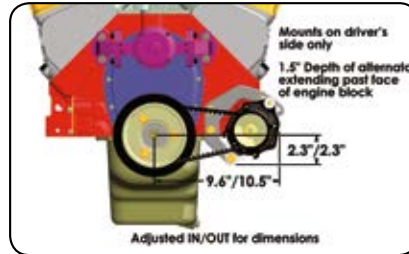
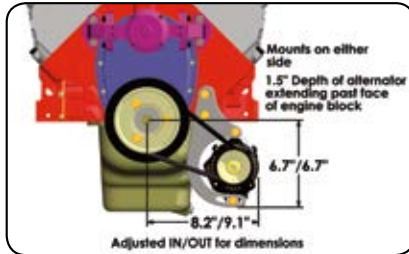
RACE ALTERNATORS

93mm Pro Series 50/75 Amp Kits for Drag Racing

Solve low voltage problems with an easy to install Powermaster alternator kit. The "Pro Series Kits" include a one wire alternator with black finish, hard coated deep groove pulley and crank pulleys, belt and brackets.

Kit 8-896 [SBC]

Alternator	8162
Alt. Pulley	181
Crank Pulley	293
Bracket	896
Belt	7270

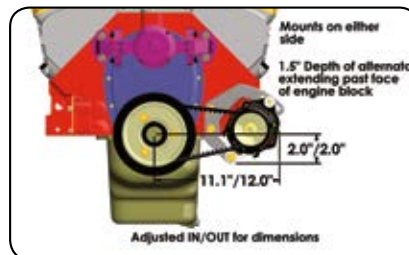
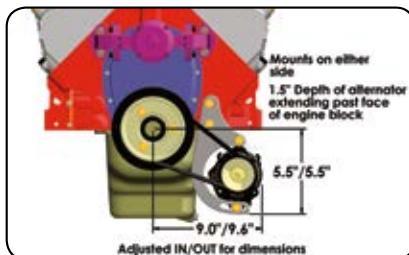


Kit 8-875 [SBC]

Alternator	8162
Alt. Pulley	181
Crank Pulley	293
Bracket	875
Belt	7270

Kit 8-895 [BBC]

Alternator	8162
Alt. Pulley	181
Crank Pulley	295
Bracket	895
Belt	7270



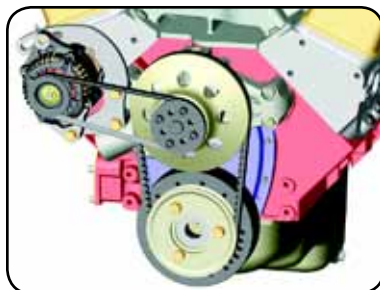
Kit 8-880 [BBC]

Alternator	8162
Alt. Pulley	181
Crank Pulley	295
Bracket	880
Belt	7292

Low Mount (for rail cars)
Mounts on either side

Snug Mount (for body cars)

High Mount Kit



Kit 8-800	Part #
Alternator P/N	8162
Alt/Water Pump Pulley "Single Groove"	180
Bracket P/N	801
Belt P/N	7240

Kit 8-801	Part #
Alternator P/N	8162
Alt/Water Pump Pulley "3-Groove"	170
Bracket P/N	801
Belt P/N	4030240

All kits also available with XS Volt alternator - Add "8" to the end of the Kit part number [i.e., 8-8758]

This kit attaches to the passenger side of the motor via the two bolts attaching the water pump. A serpentine pulley is supplied that is mounted to the front of the water pump pulley. In most cases, this drive system will not interfere with any existing set up.

Ford 9" Third Member



Kit 8-410	Part #
Alternator P/N	8162
Alternator Pulley P/N	181
Brackey P/N	410

A customer supplied yoke pulley is required

This kit is popular with asphalt racers when the rules allow driving an alternator off the 3rd member.

All kits also available with XS Volt alternator - Add "8" to the end of the Kit part number [i.e., 8-8758]

Quick Change Kit



Kit 8-400	Part #
Alternator P/N	8162
Alternator Pulley P/N	181
Brackey P/N	400

A customer supplied yoke pulley is required

Fits Winters & Richmond Rear Ends

This kit is popular with asphalt racers when the rules allow driving an alternator off the rear-end. The mounting block is very versatile allowing for mounting on either side of the center section.

Alternators



RACE ALTERNATORS

Pulley not included

102 mm

DENSO Style Race Prepped

- True one wire hookup
- 12 Volt and 16 Volt
- High output to weight ratios

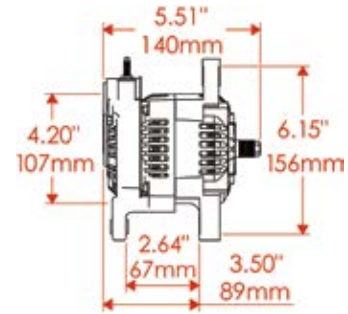
Alternators



#8128

IDLE 20 TOP END 115
115 AMP

Only 6.70 lbs



DENSO 102mm	Black w/o Pulley
115A Bosch Style Mtg	8122
115A Bosch Style Mtg 16 Volt	8126
115A Bosch Style XS Volt™	XS 8128
Max RPM: 20,000	

Why did my Powermaster racing alternator not come with a pulley?

The pulley systems and ratios in racing vary widely. Some use a matched pulley setup. Others have custom pulleys made. It is important for reliable alternator operation to establish the right pulley ratios. Typical circle track ratios are 1:1, drag racing ratios are 2:1, and street ratios are 3:1. Because of this, the alternator pulley becomes a separate consideration based on personal application.

Why is there a 2,400 RPM minimum for some alternators?

Certain Powermaster alternators have been engineered to shift virtually all their amperage capability to the high RPM part of the output curve. This means end users with racing applications that spend most of the time at high RPMs (such as with circle track) can benefit from a very high yielding alternator in a small package. These units have little to no amperage capability at idle, so while the car is in the pits the supplemental amperage will be supplied by the battery.

XS Volt™ Unique Voltage Control System

XS Volt™ for Electrical Stability

XS Volt™ is a powerful internal regulating system. These alternators offer the highest stability for modern electrical systems.



Digital Control - response time in milliseconds vs. seconds for analog regulators

Adjustable Voltage - adjustable between 13.5 and 19 volts, Great for 12v, 14v or 16v systems

Powerful & Reliable Internals - short circuit protection and loss of ground protection in a sealed, vibration resistant housing

See Detailed Instruction Sheet



RACE ALTERNATORS

Alternators

How to Choose a Race Alternator

Choosing the correct charging system set up is just as important as having the correct engine set up. Today, most race cars have more electrical demand than ever before. Many applications require a high amp alternator to meet the demands. The charge wire has to be larger to handle the higher amps; and the pulley ratio has to be correct to keep the alternator charging at various speeds without over spinning the alternator. Follow the steps below as a guide to determine the correct setup for your race car.

STEP 1: Determine the AMP Load

Make a list of the electrical systems components such as ignition, fans, lights, cooling fans, etc. Some components may list amp draw (refer to manufacturers if necessary). Total the maximum amperage requirements.

STEP 2: Select the Charge Wire

Select the gauge charge wire needed based on the alternator total output.

AMPS	Wire Length		
	5' - 10'	11' - 19'	20' - 28'
30 - 70	10 - 8	8 - 6	6 - 4
70 - 100	8 - 6	6 - 4	4 - 2
100 - 150	6 - 4	4 - 2	2 - 0
150 - 200	4 - 2	2 - 0	0 - 1/0

Accessory	Example Amps	Your Amps
Headlights / Tail Lights	10	
Halogen Bulbs	10 ea	
Dash Lights	2-4	
Electric Fans	10-50	
On Board Radio	4-10	
CDI Ignition	6-36	
HEI Ignition	6-10	
Electric Water Pump	12-25	
Electric Fuel Pump	7-15	
Gauges	2-6	
Brake Blowers	8-10	
Driver Cooling System	10-15	
Data Recorder	2-10	
Line Lock	4-8	
Delay Box	8-12	
Trans Brake	12-20	
Throttle Stop	5-15	
Nitrous Solenoid (each)	5-15	
Other		
TOTAL AMP DRAW		

STEP 3: Pulley Selection

The type of racing will determine the pulley ratio. For example, an overdrive pulley ratio is recommended for drag racing because it is best to charge while in staging and on the return slip. This enables the battery to be fully charged for optimum ignition when you pull to the line. In most cases, a pulley ratio of 1.75:1 or more is recommended for drag racers (see also "Power Pulleys"). For circle track racing, charging while on the track is necessary for long periods of time. For this reason a straight 1:1 pulley ratio is recommended. Powermaster has different styles of pulleys..

Alternator RPM

Two belts, one driving intermediate accessory pulley Fig A
One belt drives all accessories Fig B

$$= \frac{\text{Crank Pulley O.D.}}{\text{Alternator Pulley O.D.}}$$

! WARNING !
Max Alternator RPM
18,000

X Engine RPM (Tach)

Alternator Pulleys

O.D.	Part
2.8"	181
4.0"	182
5.25"	183

Alternator RPM

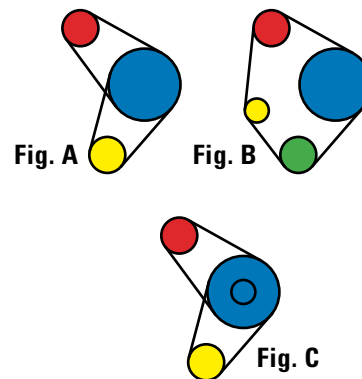
One belt drives crankshaft and accessory pulley.
Accessory changes O.D. and drives alternator Fig C

$$= \frac{\text{Water Pump Pulley O.D.}}{\text{Alternator Pulley O.D.}}$$

X Water Pump RPM

$$\frac{\text{Crank Pulley O.D.}}{\text{Water Pump Pulley O.D.}}$$

$$X \text{ Engine RPM (Tach)} = \text{Water Pump RPM}$$





RACE ALTERNATORS



Adjusting Ear Bolt

110 mm

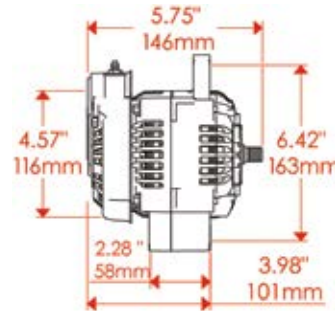
#8132

IDLE 40 TOP END 100
100 AMP

Steel Insert Stops Vibration Wear

DENSO Style Race Prepped

- True one wire hookup 12 Volt and 16 Volt
- High output to weight ratios
- Low drag, high speed bearings
- Pulley not included



DENSO 110mm	Black w/o Pulley	Natural w/o Pulley	Weight
100A 12 Volt	8132	8111	7.80
100A 16 Volt	8136	8116	7.80
100A XS Volt™	8138	8118	7.80
65A 12 Volt		8102	8.10
Max RPM: 20,000			



#8102

IDLE 40 TOP END 65
65 AMP

High Mount Racing Alternator Kit

- Designed for circle track applications
- Mounts to SBC water pump bolts
- Complete with 65 AMP alternator
- 3 groove serpentine or single groove belt & pulley
- All hardware needed

Kit 8-802	Part #
Alternator	8102
Alt/Water Pump Pulley "3 Groove"	170
Bracket	802
Belt	4030220



NEW

Kit 8-803	Part #
Alternator	8102
Alt/Water Pump Pulley "Single Groove"	180
Bracket	802
Belt	7240



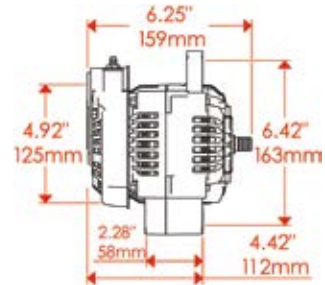
RACE ALTERNATORS



118 mm

DENSO Style Race Prepped

- True one wire hookup
- 12 Volt and 16 Volt
- High output to weight ratios
- Low drag, high speed bearings
- Pulley not included



#8142

IDLE TOP END
70 150
150 AMP

IDLE TOP END
65 180
180 AMP

**Pro Series Kit
BBC w/1471 Blower**

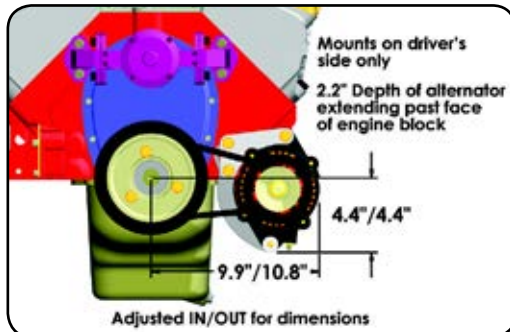
Kit 8-780	Part #
Alternator	8142
Alternator Pulley	186
Bracket	780
Belt	60345

DENSO 118mm	Black w/o Pulley	Weight
150A 12 Volt	8142	10.20
150A 16 Volt	8146	10.20
150A XS Volt™	XS 8148	10.20
180A 12 Volt	8152	10.20
180A 16 Volt	8156	10.20
180A XS Volt™	XS 8158	10.20
Max RPM: 20,000		

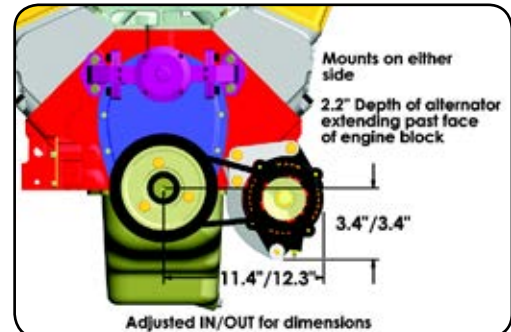
*All kits also available with XS Volt alternator -
Add "8" to the end of the Kit part number [i.e., 8-8758]*

110mm or 118mm Alternator Low Mount Bracket Kits

**#770 - SBC Low Mount Bracket
Dimensions**



**#775 - BBC Low Mount Bracket
Dimensions**



Mounts on driver's side of BBC and SBC engines

Alternators



RACE ALTERNATORS



#8462
8.90 lbs

IDLE 60 TOP END 100
100 AMP



#8472
8.90 lbs



#8062
8.90 lbs

IDLE 60 TOP END 100
100 AMP



#8072
8.90 lbs

CS 121

"5x5"

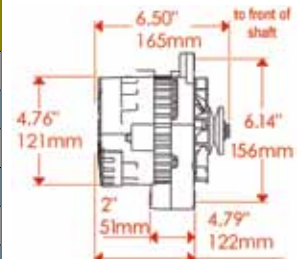
GM Style Race Prepped

- Excellent idle output
- True one wire hookup w/set voltage of 14.8
- High output to weight ratio

"Snug it Up" with Side Post Option!

Side Battery Post	Black V-Pulley	Black S-Pulley
100A 12V 1-wire, fan & baffle	8462	8462-104
100A 16V 1-wire, fan & baffle	8466	8466-104
100A XS Volt™ 1-wire, fan & baffle	XS 8468	8468-104
100A 12V 1-wire, fan & baffle	8472	8472-104
100A 16V 1-wire, fan & baffle	8476	8476-104
100A XS Volt™ 1-wire, fan & baffle	XS 8478	8478-104

Max RPM: 18,000



With Side Battery Post



#897



#881



#898



#882

Pre-assembled for your convenience

Mounting Bracket

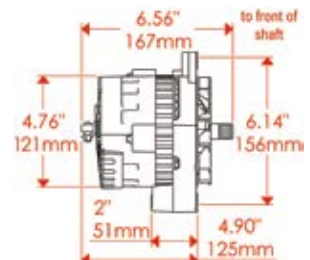
Straight Mtg 12/6	Natural	Polish
Small Block Chevy	898	2898
Big Block Chevy	897	2897
SB Ford '79-'85 CW W/P	731	2731

Mounting Bracket

3-Point Mtg 10/2/6	Natural	Polish
Small Block Chevy	881	2881
Big Block Chevy	882	2882
SBC Circle Track	722	n/a

Rear Battery Post	Black	Weight
100A w/o pulley	8062	8.90
100A 16 Volt w/o pulley	8066	8.90
100A XS Volt™	XS 8068	8.90
100A w/o pulley	8072	8.95
100A 16 Volt w/o pulley	8076	8.95
100A XS Volt™	XS 8078	8.95

Max RPM: 18,000



With OE Rear Battery Post

Alternators



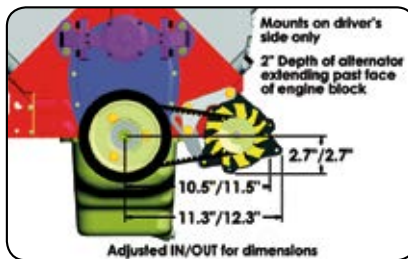
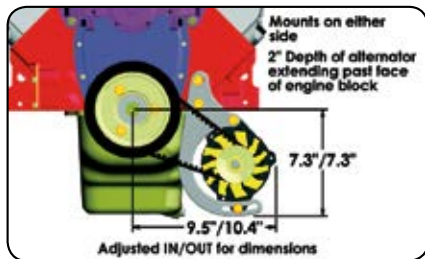
RACE ALTERNATORS

CS121 Pro Series 100 Amp Kits for Drag Racing

Solve low voltage problems with an easy to install Powermaster alternator kit. The "Pro Series Kits" include a one wire alternator with black finish, hard coated deep groove pulley and crank pulleys, belt and brackets.

Kit 8-898 [SBC]

Alternator	8062
Alt. Pulley	181
Crank Pulley	293
Bracket	898
Belt	7292

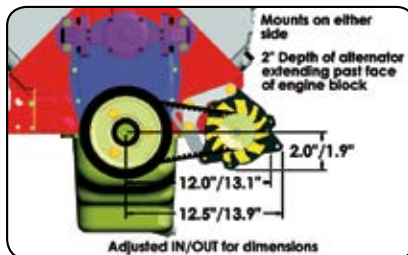
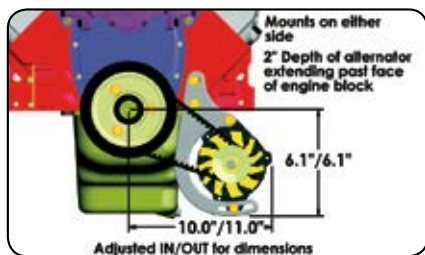


Kit 8-881 [SBC]

Alternator	8072
Alt. Pulley	181
Crank Pulley	293
Bracket	881
Belt	7280

Kit 8-897 [BBC]

Alternator	8062
Alt. Pulley	181
Crank Pulley	295
Bracket	897
Belt	7280



Kit 8-882 [BBC]

Alternator	8072
Alt. Pulley	181
Crank Pulley	295
Bracket	882
Belt	7312

Low Mount (for rail cars)
Mounts on either side

Snug Mount (for body cars)

Motor Plate Spacer Kit 982

This kit spaces the alternator and crank pulley away from the engine 1.875" to put the entire assembly in front of a motor plate. (Works w/ #881 and #882 brackets). The kit includes billet aluminum crank pulley spacer, bolts, and bracket spacers.



'67-'69 Camaro/Nova Spacer Kit 981

This kit was designed for owners of '67-'69 Camaros that would like to install the 100 Amp Pro Series Kit #8-881 but have a problem installing it with cross members. This spaces the crank pulley and bracket out 1", away from the cross members.

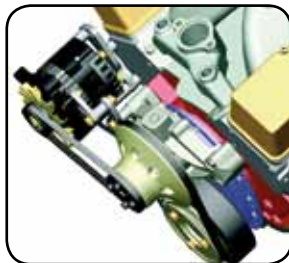


CS121 Pro Series 100 Amp Kits for Circle Tracks

This kit mounts the alternator to passenger side cylinder head area and drives off the front of the water pump with a serpentine pulley system. This setup does not interfere with other belt drive systems already in use. The alternator produces 60 amps at low RPMs and 100 amps at racing speed.

Kit 8-722

Alternator	8072
Alt. Pulley	170
Bracket	722
Belt	4030240



BBC Low Mount #897

For use with 8060 or 8062 Alternators. Mounts on either side of the engine.



8-897 Shown



Bracket #723

Optional add-on bracket for use on engines that do not have three threaded holes in the heads (requires 722 bracket).

All kits also available with XS Volt alternator - Add "8" to the end of the Kit part number [i.e., 8-8758]



RACE ALTERNATORS

NEW

CS 130

Alternators

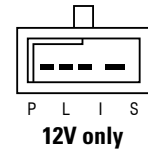
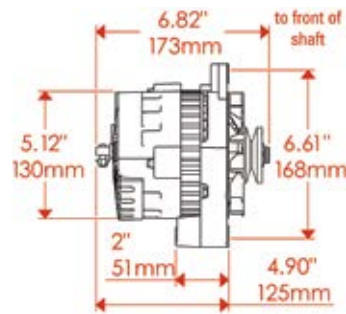


#8012

IDLE 80 TOP END 105 105 AMP

GM Style Race Prepped

- Excellent output at idle
- Internal and external fans
- One or three wire operation (12v only)
- Highly efficient
- Highest output small case Delco
- Smooth back



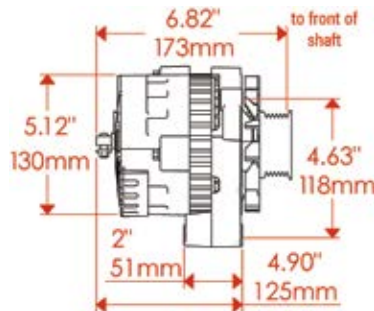
GM Race Prepped	Black	Weight
105A 12 Volt w/6-grv pulley	8012	10.0
105A 16 Volt w/6-grv pulley	8016	10.0
105A XS Volt™ w/6-grv pulley	8018	10.0
Max RPM: 18,000		

Excellent for Street/Strip Applications



#8022

IDLE 80 TOP END 105 105 AMP



GM Race Prepped	Black	Weight
105A 12 Volt, 3 ear mount	8022	11.0
Max RPM: 18,000		



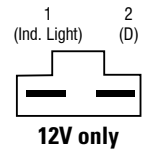
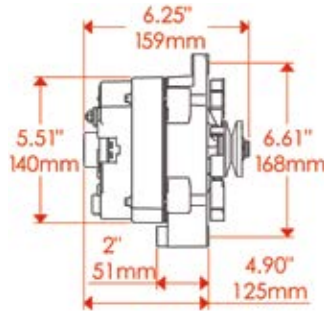
RACE ALTERNATORS

Fits Most Popular 12/6 6.61" Brackets

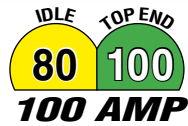
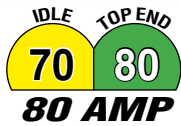
12si

GM Style Race Prepped

- One or three wire operation (12v only)
- Complete w/fan & v-belt pulley
- 80 Amps at idle for 100A Alt.



#8002



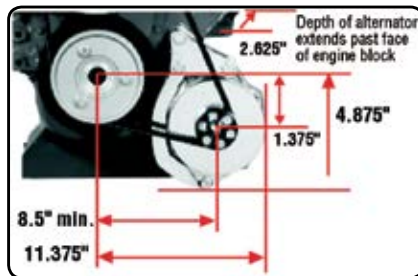
12si Straight Mount 6.61"	Natural	Black	Weight
80A w/1V pulley	8003		12.0
80A Smooth Look™ w/1V pulley		8005	12.0
100A w/1V pulley	8002		12.0
100A 16 Volt Smooth Look™ w/1V pulley	8006		12.0

Max RPM: 18,000

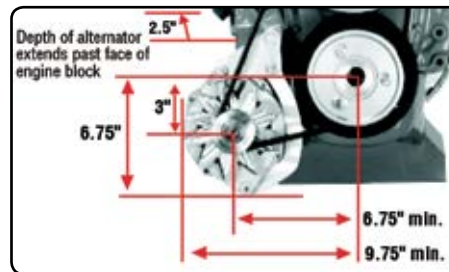
GM 12si Low Mount Brackets

Mounts 12si style alternators and CS130 style alternators on either side of engine.

Bracket Description	Part #
Natural SBC	885
Natural BBC	890



BBC Measurements



SBC Measurements

Alternators



RACE ALTERNATORS



FORD Style Race Prepped

- Fits Ford brackets!
- No modification required
- One wire operation
- 80 Amps at idle for 100A Alt.
- 95 Amps at idle for 140A Alt.
- Excellent for Mustangs!

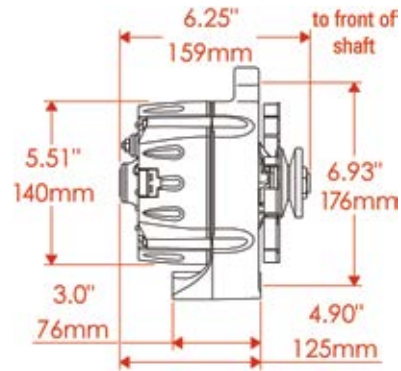
Alternators



#8-57140
12.0 lbs

IDLE TOP END
80 100
100 AMP

IDLE TOP END
95 140
140 AMP



Ford Mid-Mount



Ford High Mount

Ford Race Prepped	Chrome	Polish	Natural	Black
100A w/6-grv pulley	8-37100	8-67100	8-47100	8-57100
100A 16 Volt w/6-grv pulley	8-37106	8-67106	8-47106	8-57106
140A w/6-grv pulley	8-37140	8-67140	8-47140	8-57140
140A 16 Volt w/6-grv pulley	8-37146	8-67146	8-47146	8-57146

Max RPM: 18,000

Ford Mid-Mount Bracket #730

SB Ford, for 2 bolt, clockwise water pump w/V-Belt Pulley Natural Finish, Fits '79-'85 Mustang

Also available in chrome, #1730 and polished, #2730

Ford Mid-Mount Bracket #731

SB Ford, for 2 bolt GM Alternators, clockwise water pump w/V-Belt Pulley Natural Finish, Fits '79-'85 Mustang

Also available in chrome, #1731 and polished, #2731

Ford High Mount Bracket #732

SB Ford, for 2 bolt straight mount alternators, counter-clockwise water pump w/Serpentine Pulley-Natural Finish, Fits '86-'93 Mustang

Also available in chrome, #1732 and polished, #2732



RACE ALTERNATORS

Pulleys

Powermaster offers lightweight pulleys machined from 6061-T6 billet aluminum and hard coated. Alternator pulleys have a shaft bore of 17mm to ensure fit on MOST ALL alternators. Includes a 17mm to 15mm reducer bushing.

V-Belt

All V-groove pulleys are deep groove to ensure belt retention at high RPMs.

Diameter	Part #
2.8"	181
4"	182
5.25"	183
4", 15mm Bore	185



Hard Coated for Durability

#181

15mm to 17mm spacer bushing included

V-Belt Crank Pulleys

Unique pulley design allows this crank pulley to be used with either SBC or BBC balancers. Works with OEM and racing balancers and crank triggers.

Type	Part #
SBC	293
BBC	295



Alternators

Water Pump Drive System for Alternator

This system will not interfere with any other pulleys being used, as it mounts on the front of the water pump pulley.

Type	Part #
Serpentine	170
V-Belt	171



Water Pump Pulley for Circle Track

Type	Part #
Serpentine	173
V-Belt	174

Pulley Ratios and Selecting Correct Pulley Diameter

! WARNING !
Max Alternator RPM
18,000

Alternator Pulleys

O.D.	Part #
2.8"	181
4.0"	182
5.25"	183

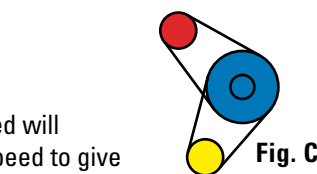
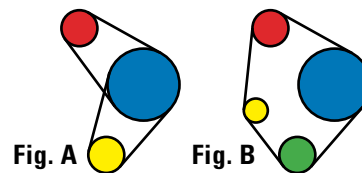
Alternator RPM
Two belts, one driving intermediate accessory pulley Fig A
One belt drives all accessories Fig B

$$= \frac{\text{Crank Pulley O.D.}}{\text{Alternator Pulley O.D.}} \times \text{Engine RPM (Tach)}$$

Alternator RPM
One belt drives crankshaft and accessory pulley.
Accessory changes O.D. and drives alternator Fig C

$$= \frac{\text{Water Pump Pulley O.D.}}{\text{Alternator Pulley O.D.}} \times \text{Water Pump RPM}$$

$$\frac{\text{Crank Pulley O.D.}}{\text{Water Pump Pulley O.D.}} \times \text{Engine RPM (Tach)} = \text{Water Pump RPM}$$



Once you determine the engine versus alternator speed, insure the alternator you've selected will perform at low engine rpm's. Change pulley size if needed to maintain alternator minimum speed to give best output at low engine rpm's.



IT'S ALL ABOUT THE "CORRECT LOOK"

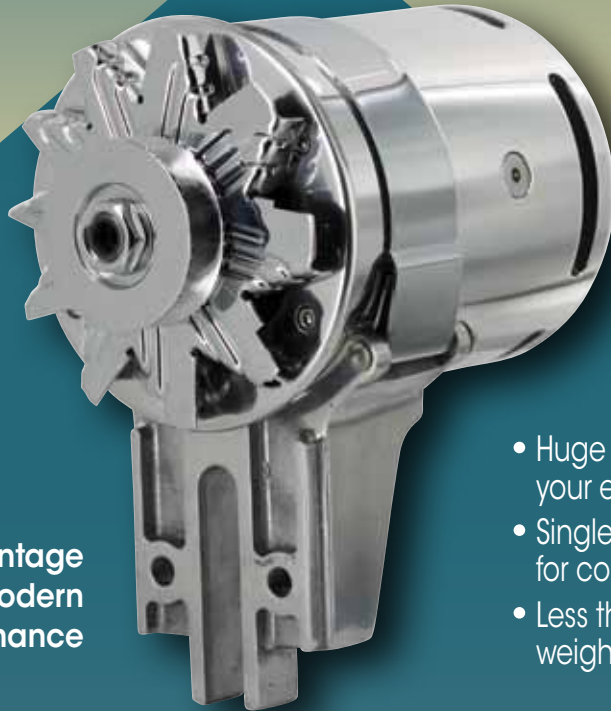
PART ALTERNATOR



PART GENERATOR



ALL
INNOVATION



Get the Correct Vintage
Look *and* Modern
Performance

- Huge amp increase for your electrical needs
- Single wire connection for convenience
- Less than half the weight



Powergen

Our PowerGEN Line Up

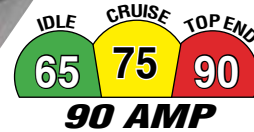


PowerGEN

LONG CASE



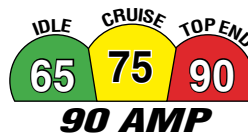
#82051



- "One Wire" hook up for easy install
- Huge Amp increase stops dimming headlights
- Fits most existing bracketry
- Made from Billet Aluminum for Half the Weight
- Made in USA!



#82111



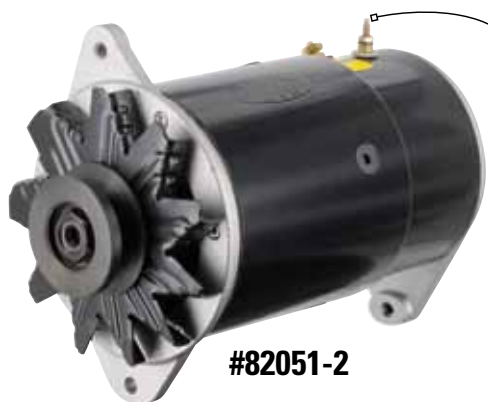
For 6 Volt Only

SHORT CASE

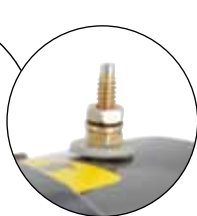
Available Finishes



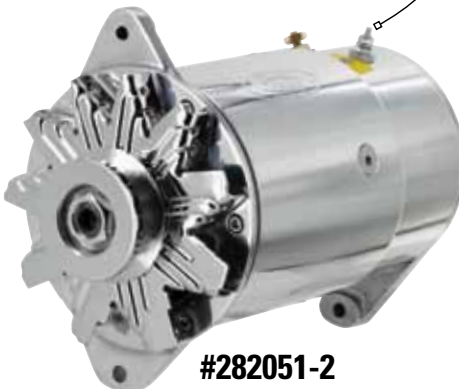
PowerGEN



#82051-2



Optional Lamp Terminal Allows (GEN) Dash Light to Function



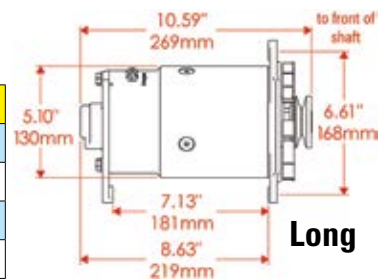
#282051-2



#282051

LONG CASE

GM PowerGEN "Long"	Pulley	Black	Chrome	Polish
90A GM Long (7.1 Field Hsg) 12 Volt	3/8"	82051	182051	282051
90A GM Long (7.1 Field Hsg) 12 Volt w/ Lamp Term	3/8"	82051-2	182051-2	282051-2
60A GM Long (7.1 Field Hsg) 6 Volt Pos. Ground	3/8"	82056	182056	282056
60A GM Long (7.1 Field Hsg) 6 Volt Neg. Ground '48-'54	3/8"	82057	182057	282057



PowerGEN



#82111-2



Optional Lamp Terminal Allows (GEN) Dash Light to Function



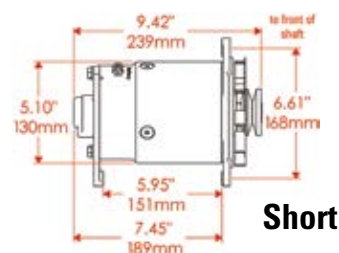
#182111-2



#182111

SHORT CASE

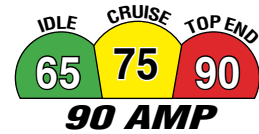
GM PowerGEN "Short"	Pulley	Black	Chrome	Polish
90A GM Short (5.95 Field Hsg) 12 Volt	3/8"	82111	182111	282111
90A GM Short (5.95 Field Hsg) 12 Volt w/ Lamp Term	3/8"	82111-2	182111-2	282111-2
60A GM Short (5.95 Field Hsg) 6 Volt Pos. Ground	3/8"	82116	182116	282116
60A GM Short (5.95 Field Hsg) 6 Volt Neg. Ground '48-'54	3/8"	82117	182117	282117



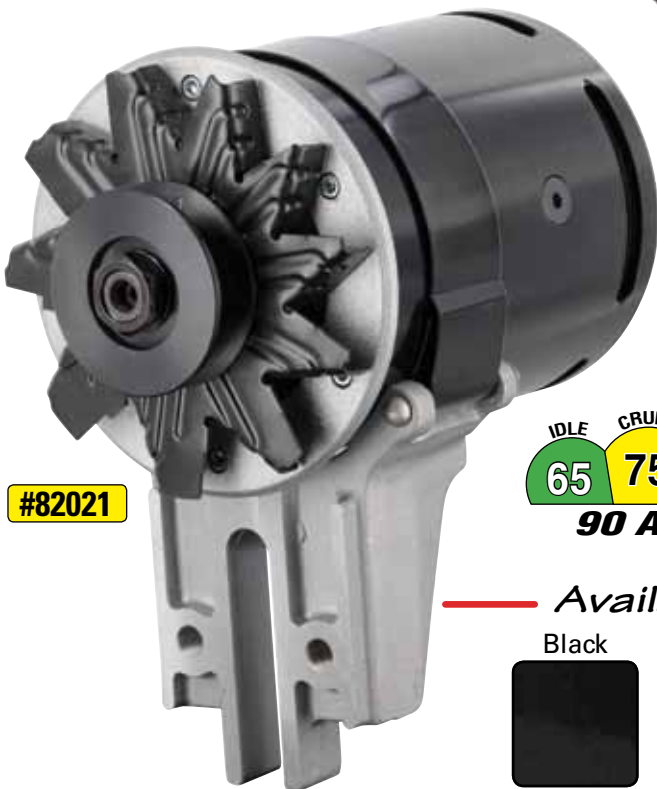
FLAT HEAD



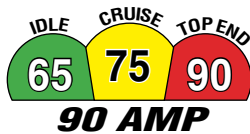
#82011



- "One Wire" hook up for easy install
- Huge Amp increase stops dimming headlights
- Fits most existing bracketry
- Made from Billet Aluminum for Half the Weight
- Made in USA!



#82021



Available Finishes

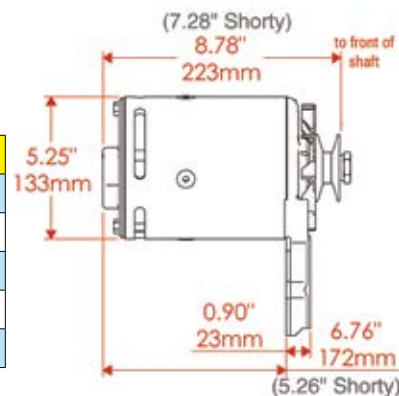


PowerGEN



FLAT HEAD

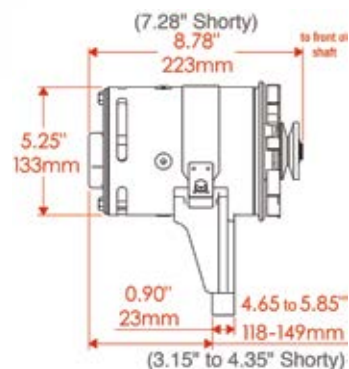
Ford Flathead PowerGEN "Front Mount"	Pulley	Black	Chrome	Polish
90A Ford '39-'48 12 Volt	5/8"	82011	182011	282011
90A Ford '39-'48 12 Volt w/ Lamp Term	5/8"	82011-2	182011-2	282011-2
90A Ford '39-'48 12 Volt "Shorty" 1.5" Shorter	5/8"	82013	182013	282013
90A Ford '39-'48 12V w/ Lamp Term "Shorty" 1.5" Shorter	5/8"	82013-2	182013-2	282013-2
60A Ford '39-'48 6 Volt Pos. Ground	5/8"	82016	182016	282016



PowerGEN

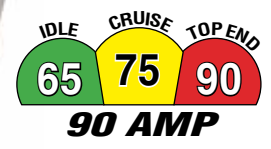


Ford Flathead PowerGEN "Strap Mount"	Pulley	Black	Chrome	Polish
90A Ford Strap Mt '49-'53 12 Volt	5/8"	82021	182021	282021
90A Ford Strap Mt '49-'53 12 Volt w/ Lamp Term	5/8"	82021-2	182021-2	282021-2
90A Ford Strap Mt '49-'53 12 Volt "Shorty" 1.5" Shorter	5/8"	82023	182023	282023
90A Ford Strap Mt '49-'53 12V w/ Lamp Term "Shorty" 1.5"	5/8"	82023-2	182023-2	282023-2
60A Ford Strap Mt '49-'53 6 Volt Pos. Ground	5/8"	82026	182026	282026





#82101



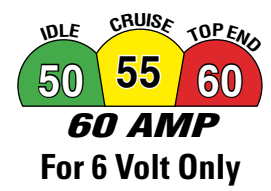
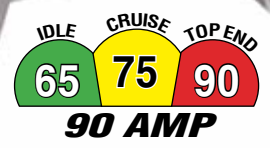
SWING MOUNT

- "One Wire" hook up for easy install
- Huge Amp increase stops dimming headlights
- Fits most existing bracketry
- Made from Billet Aluminum for Half the Weight
- Made in USA!



#82155-2

T-Bird



Available Finishes



Powergen



#82101-2



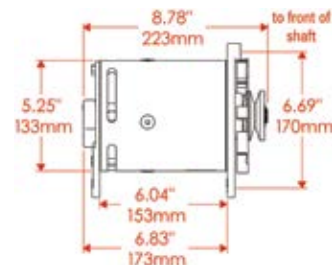
Optional Lamp Terminal Allows (GEN) Dash Light to Function



#282101

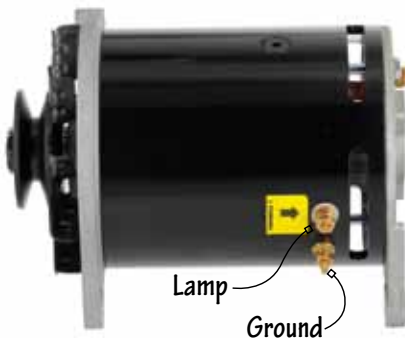
SWING MOUNT

Ford PowerGEN "Swing Mount"	Pulley	Black	Chrome	Polish
90A Ford Swing Mtg 12 Volt	3/8"	82101	182101	282101
90A Ford Swing Mtg 12 Volt w/ Lamp Term	3/8"	82101-2	182101-2	282101-2
60A Ford Swing Mtg 6 Volt Pos. Ground	3/8"	82106	182106	282106

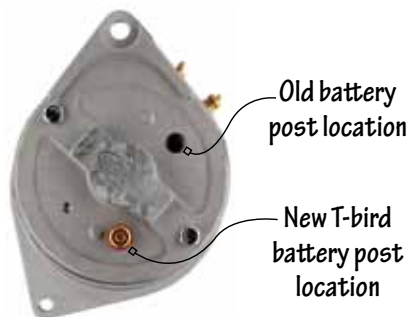


#82155-2

Thunderbird

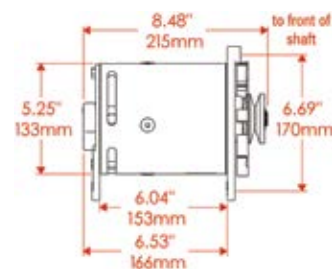


Lamp
Ground



Old battery post location
New T-bird battery post location

Ford PowerGEN T-Bird "Swing Mount"	Pulley	Black	Chrome	Polish
90A Ford T-Bird '56-'57 12 Volt	1/2"	82155	182155	282155
90A Ford T-Bird '56-'57 12 Volt w/ Lamp Term	1/2"	82155-2	182155-2	282155-2
60A Ford T-Bird 1955 6 Volt Pos. Ground	1/2"	82156	182156	282156



#82091

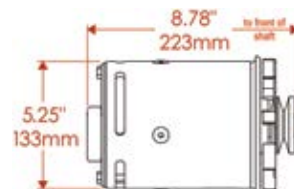


#282091-2

"Design Your Own Custom Mount Brackets"

Custom PowerGEN "Custom Mount"	Pulley	Black	Chrome	Polish
90A Custom 12 Volt	5/8"	82091	182091	282091
90A Custom 12 Volt w/ Lamp Term	5/8"	82091-2	182091-2	282091-2
60A Custom 6 Volt Pos. Ground	5/8"	82096	182096	282096

Also available 1.5 inches shorter. Call for info.





FLAT HEAD

"ORIGINAL LOOK"



160 Ft Lbs Torque

4.4:1 Gear Reduction

1.5 kw

2.0 HP

The "Original Look"

Vintage Torque



Old on the Outside ~ New on the Inside
Today's Technology

Gear Reduction Motor Inside
Half the Weight, Twice the Power
Cushion Ratchet Drive
Steel Gear Insert



FLAT HEAD

"ORIGINAL LOOK"



Vintage Torque

Gear Reduction Motor Inside

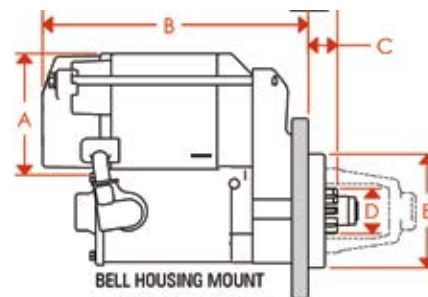


Ford Flathead		Weight lbs.
Application	Black	
Ford Flathead V8 1932-'51 All	92507	10.75
Ford Flathead V8 1952-'53 M/T	92507	10.75

~OR~

The Totally Modern Look

Encapsulated Solenoid ~ Fights Heat Soak Issues
Handles up to 15:1 Compression



Application	FORD		Dimensions/Inch					Weight lbs.
	Natural	Chrome	A	B	C	D	E	
Ford Flatheads 1932-1952 with OE Steel Flywheel	9507	19507	3.00	5.91	1.00	1.56	2.99	8.50
Ford Flathead French Block & Aluminum Flywheel	9508	19508	3.00	5.72	1.19	1.56	2.99	8.50



GM EARLY RETRO STYLE

70 AMP
85 AMP
100 AMP

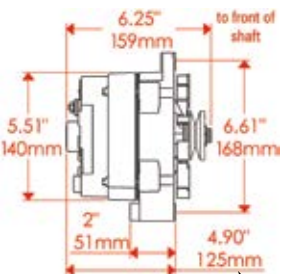
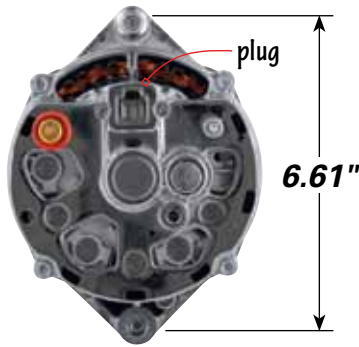
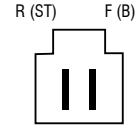
Fits
1963-'70



10DN

10DN Style Alternators

- Excellent idle output
- Retro style look
- "Externally" regulated



Alternators

#17102
11.25 lbs



10DN Ext. Regulated	Chrome	Polish	Natural	Satin
70A w/1V pulley	17102	27102	7102	17102-360

Note: (-360) Satin finish units include a chrome fan, baffle, pulley, & 6-hole cone.

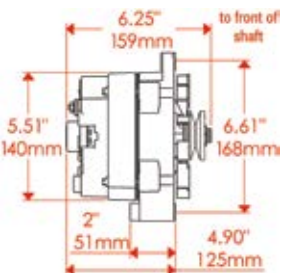
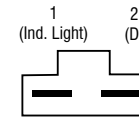
Fits
1968-'82



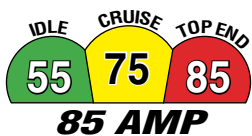
10si

10si Style Alternators

- Excellent idle output
- 1 or 3 wire operation
- "Internally" regulated



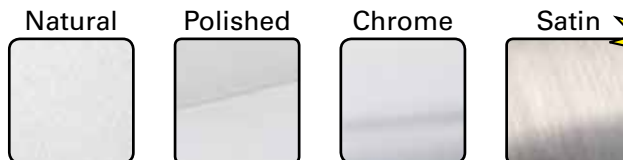
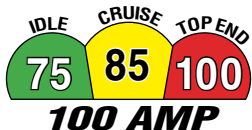
#17127
#37127
11.05 lbs



10si Int. Regulated	Chrome	Polish	Natural	Satin
85A w/1V pulley	17127	27127	7127	17127-360
100A w/1V pulley	37127	67127	47127	37127-360

Note: (-360) Satin finish units include a chrome fan, baffle, pulley, & 6-hole cone.

Available Finishes





GM

17SI RETRO STYLE

120 AMP

Adjusting Ear Bolt
Fits
1983-'87



17si

17si Style Alternators

- Excellent output at idle
- 1 or 3 wire operation
- Front baffle plate included!

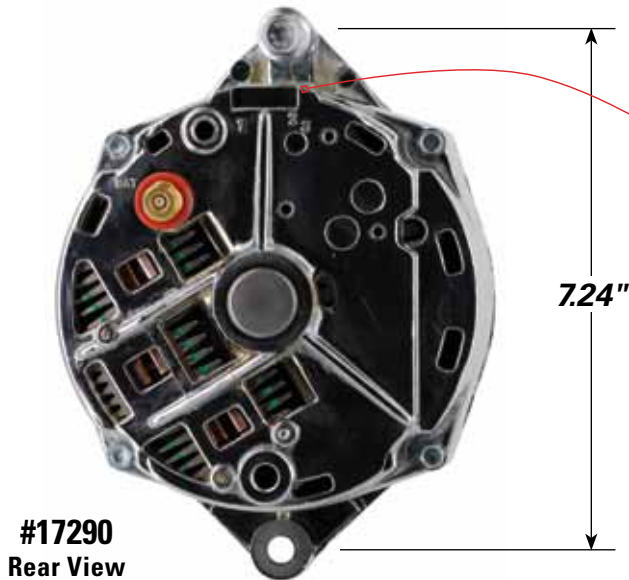
Fits 1983-'87
Corvette 5.7L
Camero 2.8L
Firebird 2.8L

Alternators

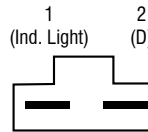
17si	Chrome	Polish	Natural
120A w/1V pulley	17290	27290	7288
120A w/6-grv pulley	17290-114	27290-114	7288-104

#17290
14.45 lbs

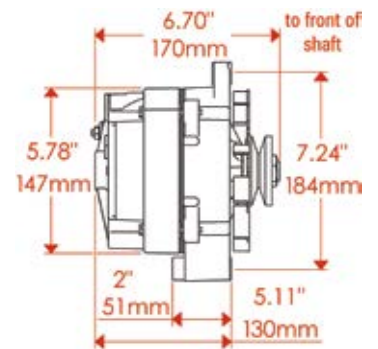
IDLE 95 CRUISE 110 TOP END 120
120 AMP



#17290
Rear View



7.24"



— Available Finishes —



Alternators

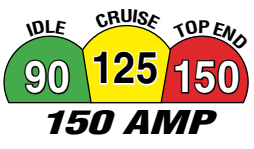
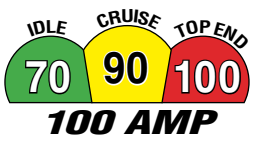
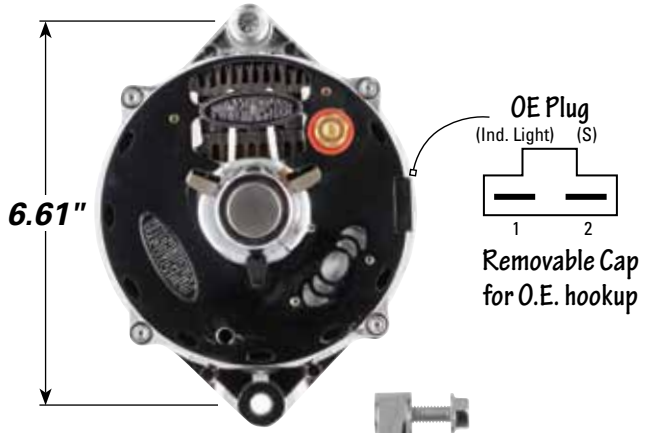


#17297
#37297
11.95 lbs

12si

12si Style Alternators

- Excellent idle amperage
- 1 or 3 wire operation
- Distinct look: *Tear Drop Design*
- Straight mount 6.61"
- Now available up to 150 Amps **NEW**



#17295
#37295
12.75 lbs



Available Finishes

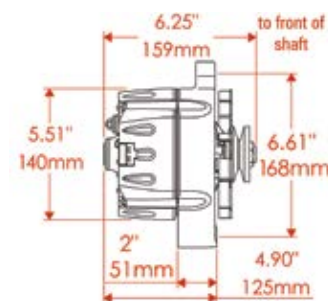
Natural	Black	Polished	Chrome	Satin NEW



100 AMP
150 AMP



12si 100 Amp Smooth Look	Chrome	Polish	Natural	Black	Satin
100A w/1V pulley	17297	27297	7297		
100A w/6-grv pulley	17297-114	27297-114	7297-104		
100A w/1V pulley & cone	17297-367	27297-367			
100A w/1V pulley & baffle	17297-344	27297-344	7295		
100A w/1V pulley, baffle & cone	17295	27295			17295-360
100A w/6-grv pulley & cone	17297-313	27297-313			
100A w/6-grv pulley & baffle	17297-364	27297-364	7296		
100A w/6-grv pulley, baffle & cone	17296	27296			17296-369

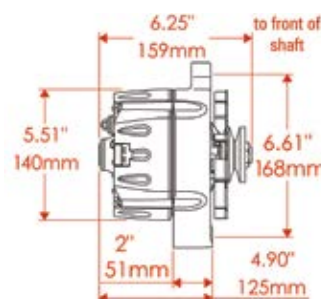


Alternators

A Fresh New "Distinctive Look"



12si 150 Amp Smooth Look	Chrome	Polish	Natural	Black	Satin
150A w/1V pulley	37297	67297	47297	57297	
150A w/6-grv pulley	37297-114	67297-114	47297-104	57297-104	
150A w/1V pulley & cone	37297-367	67297-367			
150A w/1V pulley & baffle	37297-344	67297-344	47295	57295	
150A w/1V pulley, baffle & cone	37295	67295			37295-360
150A w/6-grv pulley & cone	37297-313	67297-313			
150A w/6-grv pulley & baffle	37297-364	67297-364	47296	57296	
150A w/6-grv pulley, baffle & cone	37296	67296			37296-369






GM 12SI STYLE

100 AMP
150 AMP

Fits
1964-'89

12si

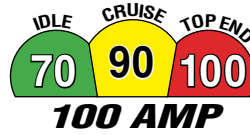
12si Style Alternators

- Excellent idle amperage
- 1 or 3 wire operation
- Most popular GM
- Straight mount 6.61"
- Now available up to 150 Amps 



Alternators

#17294
#37293
11.90 lbs



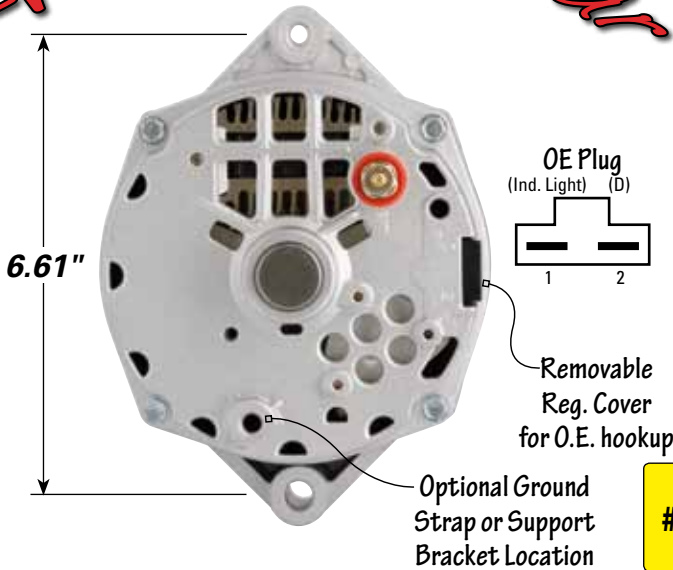
25

Years!

1964-'89

Fits Most
GM Brackets

Most Popular



#37294
#17294-332
12.75 lbs



Available Finishes





GM 12SI STYLE

100 AMP
150 AMP



#7294



#7294
Rear View



#17294-114



#27294



#27294
Rear View



#67294



#17294-360
#37294-360



#17294-360
Rear View

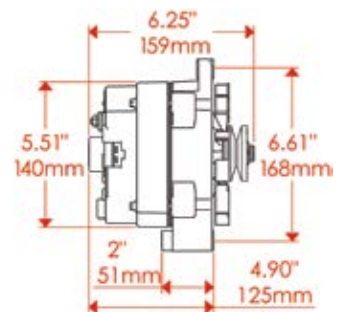


#57294



12si 100 Amp	Chrome	Polish	Natural	Black	Satin
100A w/1V pulley	17294	27294	7294		
100A w/6-grv pulley	17294-114	27294-114	7294-104		
100A w/1V pulley & cone	17294-367	27294-367			
100A w/1V pulley & baffle	17294-344	27294-334	7294-347		
100A w/1V pulley, baffle & cone	17294-332	27294-332			17294-360
100A w/6-grv pulley & cone	17294-313	27294-313			
100A w/6-grv pulley & baffle	17294-364	27294-364	7294-348		
100A w/6-grv pulley, baffle & cone	17294-311	27294-311			17294-369

12si 150 Amp	Chrome	Polish	Natural	Black	Satin
150A w/1V pulley	37293	67293	47293	57293	
150A w/6-grv pulley	37293-114	63293-114	47293-104	57293-104	
150A w/1V pulley & cone	37293-367	67293-367			
150A w/1V pulley & baffle	37293-344	67293-344	47294	57294	
150A w/1V pulley, baffle & cone	37294	67294			37294-360
150A w/6-grv pulley & cone	37293-313	67293-313			
150A w/6-grv pulley & baffle	37293-364	67293-364	47294-104	57294-104	
150A w/6-grv pulley, baffle & cone	37294-311	67294-311			37294-369



Alternators



GM CS121 STYLE

75 AMP
100 AMP

Alternators

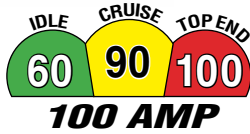
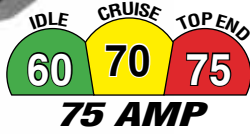


**CS
121**

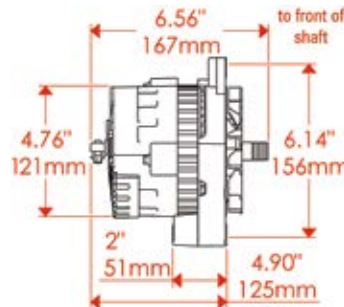
CS121 Style Alternators

- Excellent idle output
- 1 or 3 wire operation
- High output to weight ratio
- Smallest GM style 100A alt.

#8062
8.9 lbs



CS121 (A) Straight Mount 6.14"	Chrome	Natural	Black
75A w/1V pulley		8060	
100A w/1V pulley	18062		
100A w/o pulley			8062

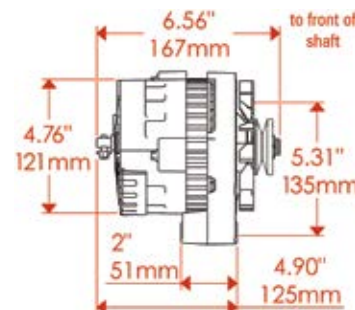


(A) Straight Mount



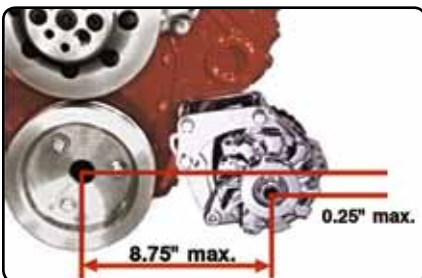
#179261
9.4 lbs

CS121 (B) 3-Hole Mount 5.31"	Chrome	Polished
100A w/One wire VR	179261	279261
100A w/One wire VR & 6-grv pulley	179261-114	279267-114



(B) 3-Hole Mount

Includes chrome fan & V-belt pulley. Suggested charge wire size: 8 AWG



Brackets	Chrome	Polish
SBC Bracket	1881	2881
BBC Bracket	1882	2882

Note: Chrome brackets are now also available for Ford.

Chrome Snug Mount Kits
Driver's side low mount (Chevy)
Drives off first groove of crank pulley
Smallest 100/75 Amp GM Alternator
Bracket pre assembled with Alternator
True one wire hookup

Kits	Part #
Chrome SBC Kit	8-17926
Polished SBC Kit	8-27926
Chrome BBC Kit	8-17927
Polished BBC Kit	8-27927
Chrome Alternator Only	179261
Polished Alternator Only	279261



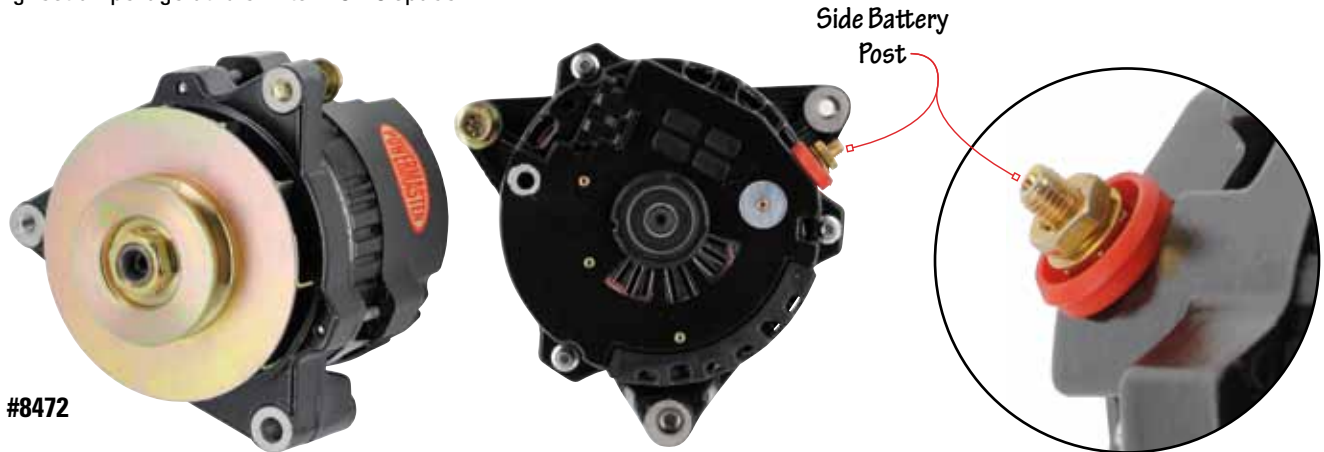
GM CS121 STYLE

**75 AMP
100 AMP**

Alternators

Compact Alternator with Side Battery Post

For those applications where clearance is an issue for the "back side" battery post connect. Great for those installs that require "small" alternators but still need higher amperage! Highest amperage at idle! Fits in 5 x 5 space!



#8472

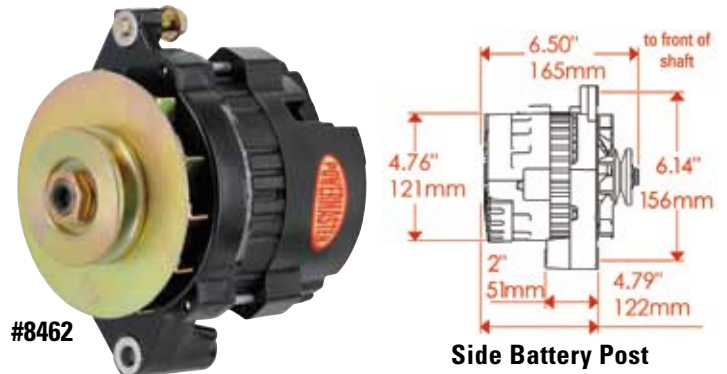
3-Point Mount

3-Point Mtg 10/2/6	Natural	Black	Polish
12 Volt w/1V pulley	7472	8472	28472
16 Volt w/1V pulley	7476	8476	28476
XS Volt™ w/1V pulley	7478	8478	28478
12 Volt 6-grv serp pulley	7472-104	8472-104	28478-114
16 Volt 6-grv serp pulley	7476-104	8476-104	28476-114
XS Volt™ 6-grv serp pulley	7478-104	8478-104	28478-114

**"Snug it Up"
with Our
"5x5"**

Straight Mount

Straight Mtg 12/6	Natural	Black	Polish
12 Volt w/1V pulley	7462	8462	28462
16 Volt w/1V pulley	7466	8466	28466
XS Volt™ w/1V pulley	7468	8468	28468
12 Volt 6-grv serp pulley	7462-104	8462-104	28468-114
16 Volt 6-grv serp pulley	7466-104	8466-104	28466-114
XS Volt™ 6-grv serp pulley	7468-104	8468-104	28468-114



#8462

Side Battery Post



#897

#898

Pre-assembled for your convenience



#881

#882

Mounting Bracket

Straight Mtg 12/6	Natural	Polish
Small Block Chevy	898	2898
Big Block Chevy	897	2897
SB Ford '79-'85 CW W/P	731	2731

Mounting Bracket

3-Point Mtg 10/2/6	Natural	Polish
Small Block Chevy	881	2881
Big Block Chevy	882	2882
SBC Circle Track	722	n/a



GM CS130 STYLE

105 AMP
140 AMP

Fits
1986-'95
6.61"



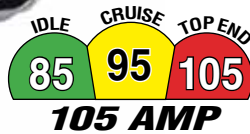
CS130 Style Alternators

- Excellent output at idle
- Internal and External fans for better cooling
- Highly efficient small case alt.
- Works for 1-wire or O.E. hookup **NEW**

Alternators



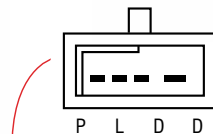
#178021
#378021
11.20 lbs



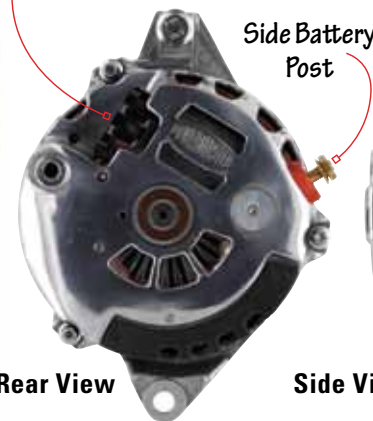
Rear View



#67402
#674021
11.20 lbs

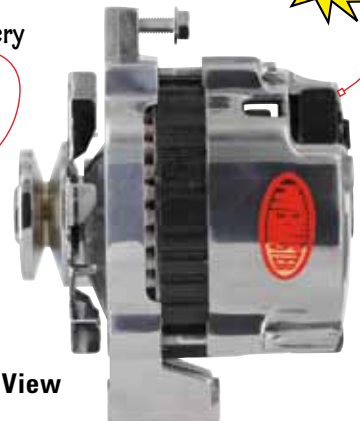


Removable Reg. Cover for O.E. hookup **NEW**



Rear View

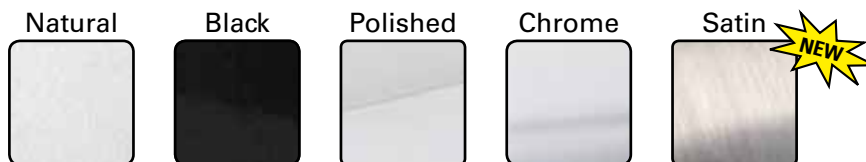
Side Battery Post



Side View

"Snug it Up" with Side Post Option!

Available Finishes





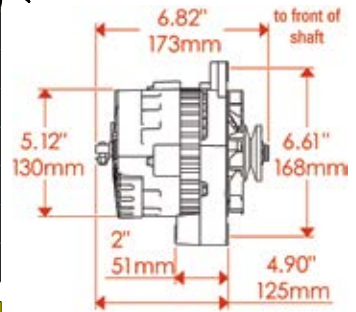
GM CS130 STYLE

105 AMP
140 AMP



Alternators

CS130 105A, Straight Mount 6.61"	Chrome	Polish	Natural	Black	Satin
105A w/6-grv pulley	17802	27802	7802		
105A w/6-grv pulley, chrome baffle & cone	17802-362	27802-362			
105A w/1V pulley	178021	278021			
105A w/1V pulley, chrome baffle & cone	178021-362	278021-362			
105A w/6-grv pulley, black baffle & cone					17802-360
105A w/1V pulley, black baffle & cone					178021-360
105A w/6-grv pulley, unthreaded adj. Ear	17803		7803		

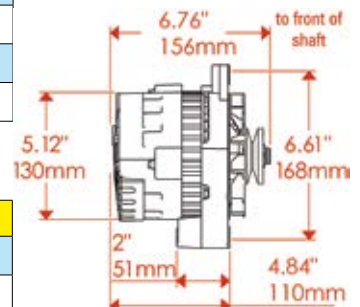


CS130 140A, Straight Mount 6.61"	Chrome	Polish	Natural	Black	Satin
140A w/6-grv pulley	37802	67802	47802	57802	
140A w/6-grv pulley, chrome baffle & cone	37802-362	67802-362			
140A w/1V pulley	378021	678021	478021	578021	
140A w/1V pulley, chrome baffle & cone	378021-362	678021-362			
140A w/6-grv pulley, one wire for 16 Volt			478026		
140A w/6-grv pulley, black baffle & cone					37802-360
140A w/1V pulley, black baffle & cone					378021-360
140A XS Volt™ w/6-grv pulley	Xs 378028		478028	578028	
140A XS Volt™ w/1V pulley, chrm baffle/cone	Xs 378028-362				
140A w/6-grv pulley, unthreaded adj. Ear	37803		47803	57803	
140A XS Volt™ w/6-grv pulley, unthrd adj. Ear	Xs 378038		478038		

Note: All (-360) Satin finish units are supplied with a black fan, baffle, pulley, and 6-hole cone.

"Snug it Up" with Side Post Option!

CS130 140A, Straight Mount 6.61" Side Post	Chrome	Polish	Natural	Black
140A w/side battery post & 6-grv pulley	37402	67402	47402	57402
140A w/side battery post & 1V pulley	374021	674021	474021	574021





GM CS130 STYLE

105 AMP
140 AMP
155 AMP

Fits
6.61"
7.24"

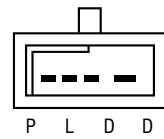
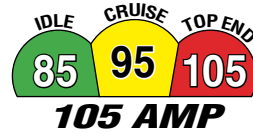


CS130 Style Alternators

- Excellent output at idle
- Internal and External fans for better cooling
- Highly efficient small case alt.
- Works for 1-wire or O.E. hookup

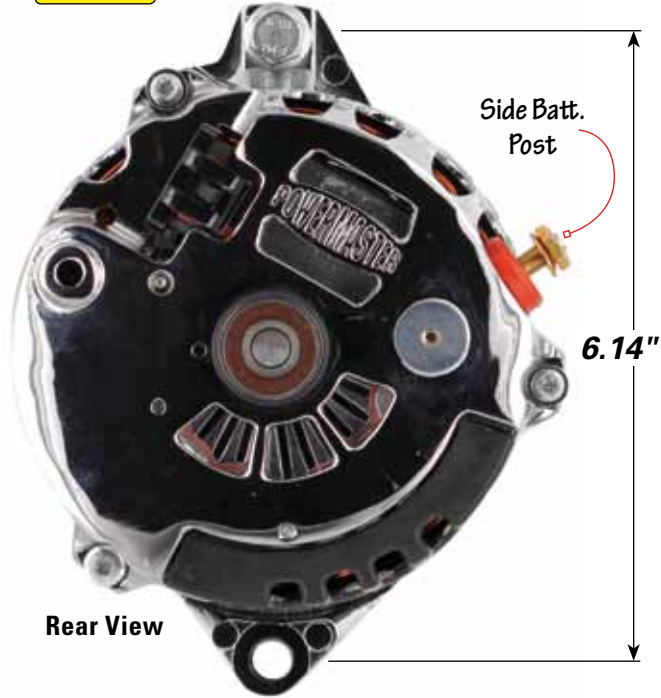


Alternators



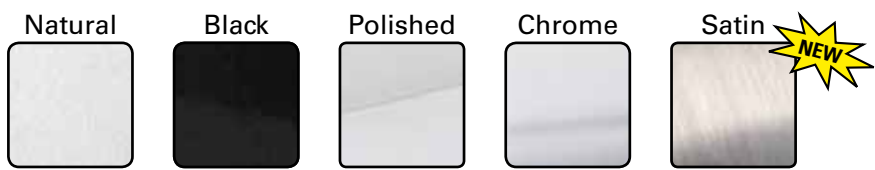
#174011
#374011
11.20 lbs

Removable Reg. Cover
for O.E. hookup



"Snug it Up" with Side Post Option!

Available Finishes





GM CS130 STYLE

105 AMP
140 AMP
155 AMP



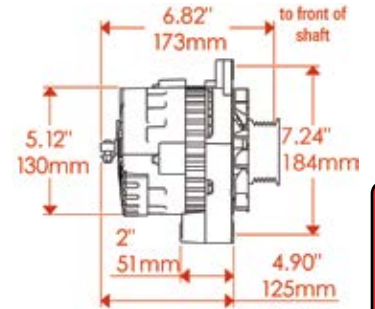
#17914
11.25 lbs



Front View



Rear View



CS130 105A Straight Mount 7.24"	Chrome	Natural	Black
105A w/6-grv pulley	17914		
140A w/6-grv pulley	37914	47914	57914



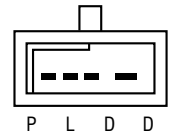
#178011
11.90 lbs



Front View



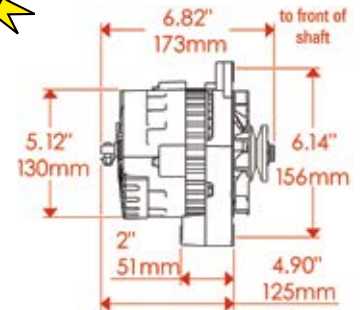
Rear View



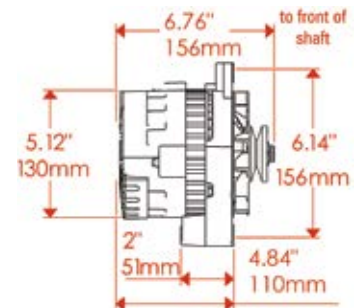
CS130 105A Straight Mount 6.14"	Chrome	Polish	Natural	Black	Satin
105A w/6-grv pulley	17801	27801			
105A w/1V pulley	178011	278011			
105A w/6-grv pulley, black baffle & cone					17801-360
105A w/1V pulley, black baffle & cone					178011-360

CS130 140A Straight Mount 6.14"	Chrome	Polish	Natural	Black	Satin
140A w/6-grv pulley	37801	67801	47801	57801	
140A w/1V pulley	378011				
140A XS Volt™			478018	578018	
140A w/6-grv pulley, black baffle & cone					37801-360
140A w/1V pulley, black baffle & cone					378011-360
140A XS Volt™			48137	58137	

Note: All (-360) Satin finish CS130 style units are supplied with a black fan, baffle, pulley & 6-hole cone.



Rear Battery Post



Side Battery Post

"Snug it Up" with Side Post Option!

CS130 Straight Mount 6.14" Side Post	Chrome	Polish	Natural	Black
105A w/side battery post & 1V pulley	174011	274011		
140A w/side battery post & 6-grv pulley	37401	67401	47401	57401
140A w/side battery post & 1V pulley	374011	674011	474011	574011
155A w/side batt. post, w/o fan and pulley	374011MR			

High Output Replacement for MARCH P572A / P574A, use #374011MR (155 Amps)

CS130 Saddle Mount	Chrome	Natural	Black
105A w/6-grv pulley, 3.8L Camaro, Firebird	18114	8114	
140A w/6-grv pulley, 3.8L Camaro, Firebird	38114	48114	58114



#48114
11.30 lbs



GM CS130 STYLE

105 AMP
140 AMP

"Tuck it In"



CS130 Style Alternators

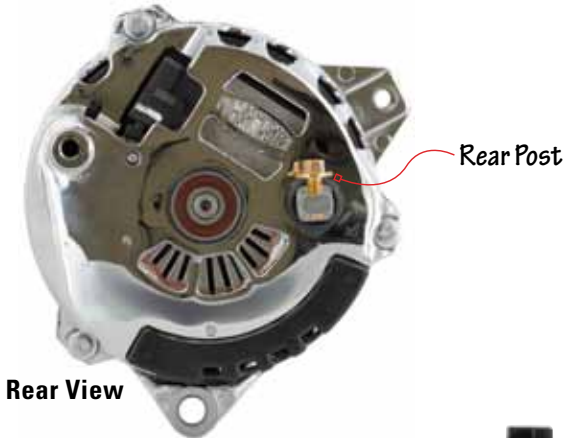
- Excellent output at idle
- Internal and External fans for better cooling
- Highly efficient small case alt.

Alternators



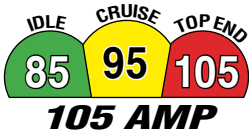
#17861
#37861
11.25 lbs

Offset
Left



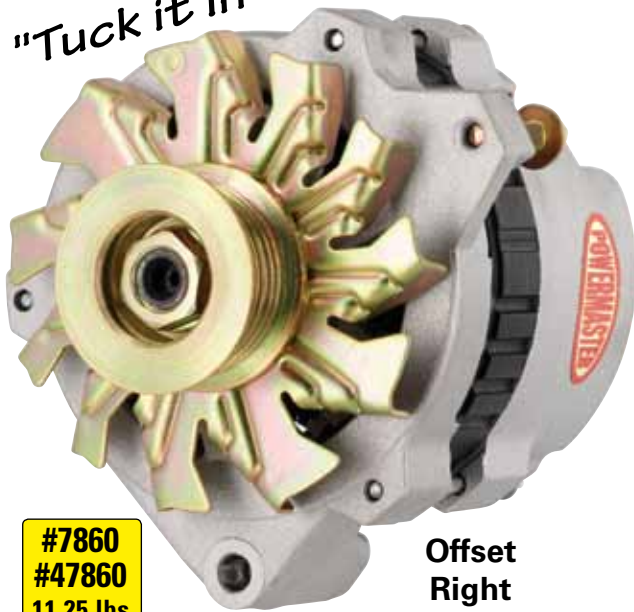
Rear View

Rear Post



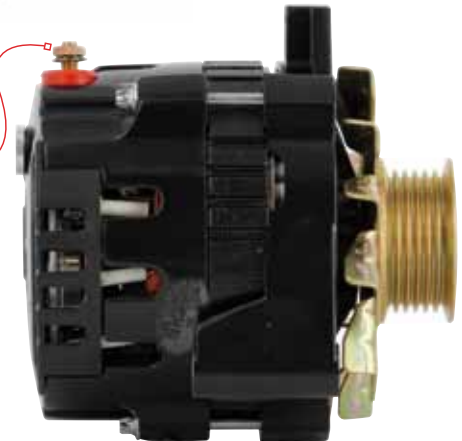
"Snug it Up"
with Side
Post Option!

"Tuck it In"

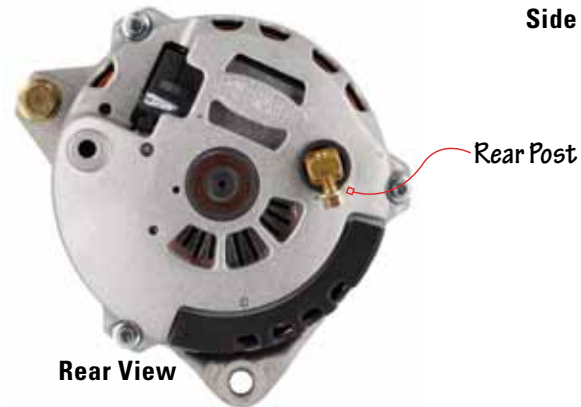


#7860
#47860
11.25 lbs

Offset
Right



Side View



Rear View

Rear Post

Available Finishes





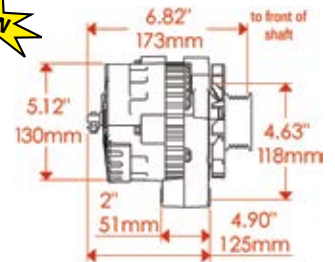
GM CS130 STYLE

105 AMP
140 AMP



CS130 Offset Left Mount 4.63" Rear Post	Chrome	Polish	Natural	Black	Satin
105A w/6-grv pulley	17861	27861	7861		
105A w/6-grv pulley, baffle & cone	17861-362	27861-362			
105A w/1V pulley	178611	278611			
105A w/1V pulley, baffle & cone	178611-362	278611-362			
105A w/6-grv pulley, black baffle & cone					17861-360
105A w/1V pulley, black baffle & cone					178611-360
140A w/6-grv pulley	37861	67861	47861	57861	
140A w/1V pulley	378611	678611	478611		
140A w/6-grv pulley, black baffle & cone					37861-360
140A w/1V pulley, black baffle & cone					378611-360
140A XS Volt™ w/1V pulley	XS		478618	578618	
140A w/unthreaded adjusting ear			47902	57902	

Note: All (-360) Satin finish CS130 style units are supplied with a black fan, baffle, pulley, and 6-hole cone.

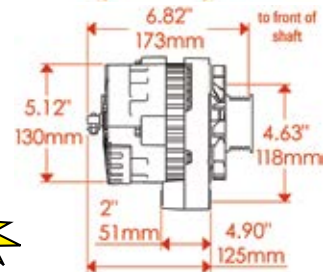
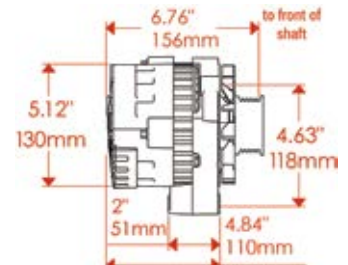


Offset Left

Alternators

"Snug it Up" with Side Post Option!

CS130 Offset Left Mount 4.63" Side Post	Chrome	Polish	Natural	Black
105A w/side batt. post & 6-grv pulley	17461	27461	7461	
105A w/side batt. post, 6-grv pulley, baffle & cone	17461-362	27461-362		
105A w/side batt. post & 1V pulley	174611	274611	74611	
105A w/side batt. post, 1V pulley, baffle & cone	174611-362	274611-362	74611-362	
140A w/side batt. post & 6-grv pulley	37461	67461	47461	57461
140A w/side batt. post, 6-grv pulley, baffle & cone	37461-362			
140A w/side batt. post & 1V pulley	374611	674611	474611	574611
140A w/side batt. post, 1V pulley, baffle & cone	374611-362			



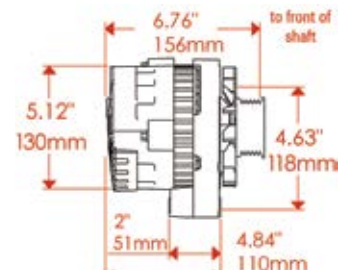
Offset Right

CS130 Offset Right Mount 4.63" Rear Post	Chrome	Polish	Natural	Black	Satin
105A w/6-grv pulley	17860	27860	7860		
105A w/1V pulley	178601	278601			
105A w/6-grv pulley, black baffle & cone					17860-360
105A w/1V pulley, black baffle & cone					178601-360
140A w/6-grv pulley	378601	67860	47860	57860	
140A w/1V pulley	378601	678601	478601		
140A XS Volt™	XS		478608	578608	

Note: All (-360) Satin finish CS130 style units are supplied with a black fan, baffle, pulley, and 6-hole cone.

"Snug it Up" with Side Post Option!

CS130 Offset Right Mount 4.63" Side Post	Chrome	Polish	Natural	Black
140A w/side battery post & 6-grv pulley	37460	67460	47460	57460
140A w/side battery post & 1V pulley	374601	674601	474601	574601





GM CS130D STYLE

120 AMP
165 AMP

Fits
Str. 7.24"
Offset Left



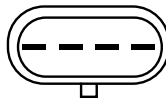
CS130D Style Alternators

- High output at idle
- Dual internal fans for high efficiency and excellent cooling
- 1-wire or O.E. hookup

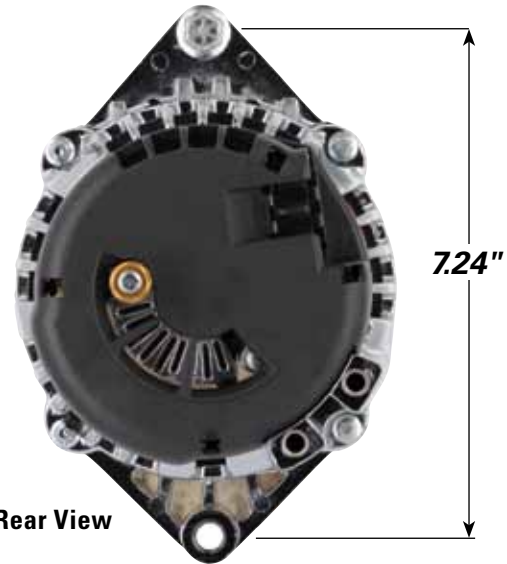
Alternators



#182071
#382071
12.0 lbs



P L I/F S



Rear View

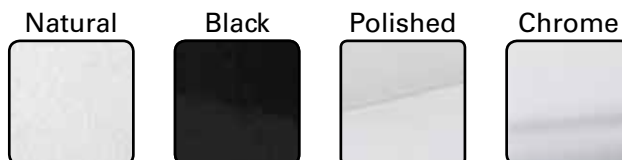


#8208
#48208
12.0 lbs



Rear View

Available Finishes





GM CS130D STYLE

120 AMP
165 AMP



#82071
#482071

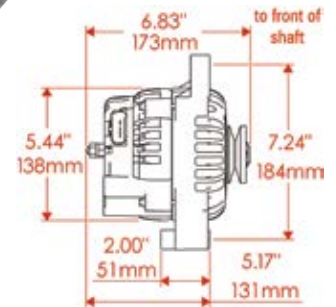


Rear
View



#182071

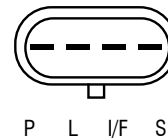
CS130D Straight Mount 7.24"	Chrome	Polish	Natural
120A str mtg w/6-grv pulley & PLFS VR	18207	28207	8207
120A str mtg w/6-grv pulley & 1-wire VR	182071	282071	82071
165A str mtg w/6-grv pulley & PLFS VR	38207	68207	48207
165A str mtg w/6-grv pulley & 1-wire VR	382071	682071	482071



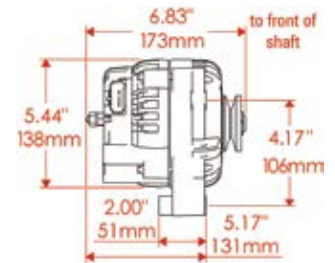
#28208



Rear
View



P L I/F S



CS130D Offset Left Mount 4.17"	Chrome	Polish	Natural	Black
120A offset left, 2:00 w/6-grv pulley & PLIS VR	18208	28208	8208	
120A offset left, 2:00 w/6-grv pulley & 1-wire VR	182081	282081	82081	
165A offset left, 2:00 w/6-grv pulley & PLIS VR	38208	68208	48208	58208



#48233

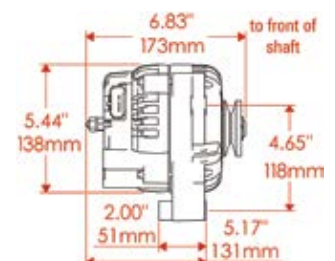


Rear
View



Side
View

CS130D Offset Left Mount 4.65"	Chrome	Polish	Natural	Black
120A offset left, 8:00 w/PLFS VR	18233	28233		
165A offset left, 8:00 w/PLFS VR	38233	68233	48233	58233





GM CS130D STYLE

120 AMP
165 AMP

**CS
130D**

CS130D Style Alternators

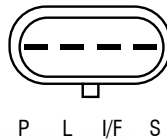
- High output at idle
- Dual internal fans for high efficiency and excellent cooling
- 1-wire or O.E. hookup

Alternators



#48206
12.0 lbs

Rear View

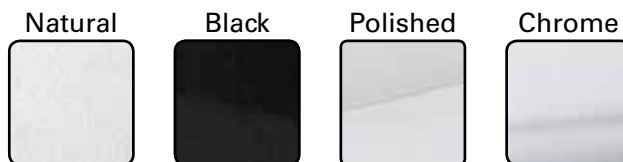


#18272
#38272
12.0 lbs

#48272
Rear View



Available Finishes





GM CS130D STYLE

120 AMP
165 AMP



#18206



#68206

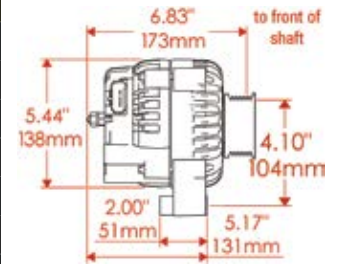


#48206



#58206

CS130D 4.10"	Chrome	Polish	Natural	Black
120A 5:00, w/6-grv pulley, PLIS VR & 1-wire or OE	18206	28206	8206	
120A w/6-grv pulley & PLFS VR	18261	28261		
120A w/6-grv pulley, PLIS VR "Camaro/Firebird" & 1-wire or OE	18242	28242	8242	
165A w/6-grv pulley, PLIS VR "Camaro/Firebird" & 1-wire or OE	38242	68242	48242	58242
165A 5:00, w/6-grv pulley, PLIS VR & 1-wire or OE	38206	68206	48206	58206
165A w/6-grv pulley & PLFS VR	38231	68231	48231	58231
165A 1:00, w/6-grv pulley & PLFS VR			48283	



Alternators

"Snug it Up" with Side Post Option!

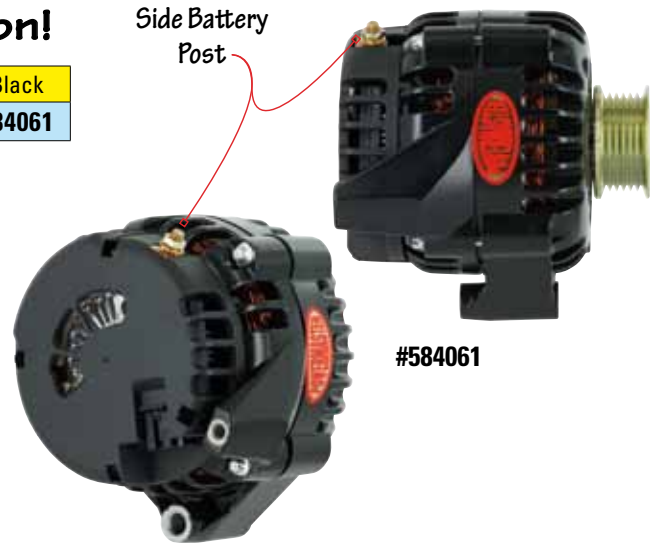
CS130D Side Post	Polish	Natural	Black
150A 5:00, w/6-grv pulley, PLIS VR & 1-wire or OE	684061	484061	584061



#48243

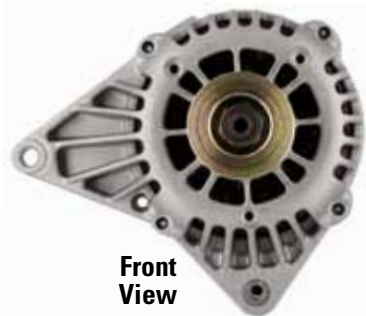


Rear View



#584061

CS130D Side Mount	Natural	Black
150A side mtg, 4:30 w/62mm 6-grv pulley & PLIS VR	48243	58243



Front View



Rear View



#48272

CS130D "Camaro"	Chrome	Polish	Natural	Black
115A 3.8L "Camaro" w/PLFS VR	18272	28272	8272	
150A 3.8L "Camaro" w/PLFS VR	38272	68272	48272	58272



GM CS144 STYLE

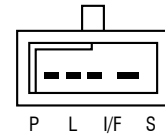
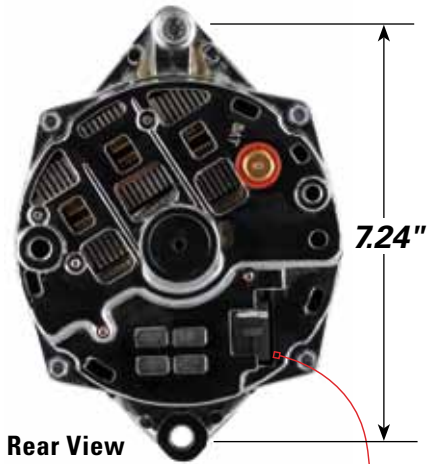
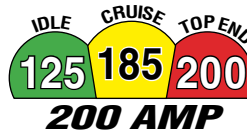
170 AMP
200 AMP
300 AMP

Fits
1986-'97



CS144 Style Alternators

- High output at idle
- Fan baffle for superior cooling



Alternators

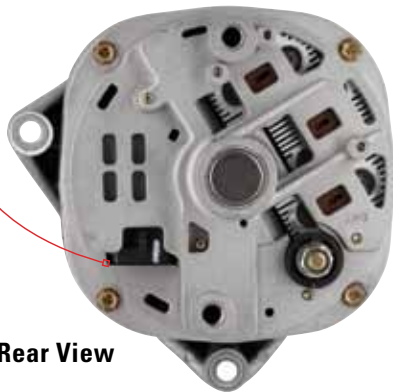
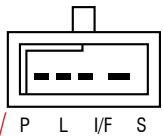


#17864
#37864

CS144 Approx.
Weight: 15 lbs.



#47806



"Supplied"
Used to replace smaller CS130
size with left or right offset



#48203

Available Finishes





GM CS144 STYLE

170 AMP
200 AMP
300 AMP



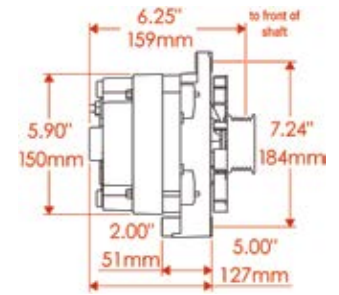
#47864
#7864



#17805
#37805



#17805
Rear View



170 Amp	Chrome	Polish	Natural	Black
170A Camaro 5.7L '93-97	17805		7805	
170A w/One wire VR - For Above	178051			
170A XS Volt™ - For Above	XS 178058			
170A Camaro, Vette, Caprice, Hummer	17806		7806	
170A w/One wire VR - For Above	178061			
170A for Vette, Grand Natl, F-Bird, Trans Am	17864		7864	
170A for Impala, Caprice, 1994-'96	18112	28112	8112	
200 Amp	Chrome	Polish	Natural	Black
200A Camaro 5.7L 1993-'97	37805		47805	57805
200A w/One wire VR - For Above	378051			
200A XS Volt™ - For Above	XS 378058		478058	578058
200A Camaro, Corvette, Caprice, Hummer	37806	67806	47806	57806
For 16V systems - For Above			478066	
200A XS Volt™ - For Above	XS 378068		478068	578068
200A Corvette, Grand National, Fire Bird, Trans Am	37864		47864	57864
200A XS Volt™ Vette, Grn Nat, F-Bird, Trans Am	XS 378648		478648	578648
200A Impala, Caprice, 1994-'96	38112	68112	48112	58112
200A XS Volt™ w/Unthreaded DE for Impala, ...	381128		481128	581128
200A Hummer 6.5L 1994-'95	38163		48163	
300 Amp SPL Competition Alternator*	Red Wrinkle	Black Wrinkle		
300A XS Volt™ (Competition Only)	XS 478068 SPL	578068 SPL		
*SPL Only, see special warranty note				



#478068 SPL



#478068 SPL
Rear View

Alternators



#38203



#58203



#482038 SPL



#482038 SPL
Rear View

200 Amp	Chrome	Polish	Natural	Black
200A w/PLFS Computer Compatible VR	38202	68202	48202	58202
200A '99-'00 Escalade, '94-'04 Hummer 6.5L	38203		48203	58203
200A XS Volt™	XS 382038		482038	582038
300 Amp SPL Competition Alternator*	Red Wrinkle	Black Wrinkle		
300A XS Volt™ (Competition Only)	XS 482038 SPL	582038 SPL		
*SPL Only, see special warranty note				





GM AD STYLE

120 AMP
165 AMP
215 AMP

Fits
2000-'05

**AD
230**

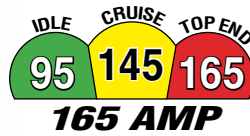
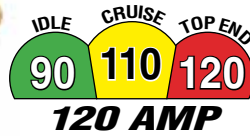
AD Style Alternators

- Superior output at idle
- Dual internal fans for high efficiency and excellent cooling
- O.E. hookup or 1-wire

Alternators



#18247
#38247
12.0 lbs



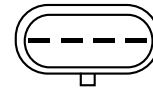
Rear View

Fits
1996-2011

**AD
244**



#48237
15.10 lbs

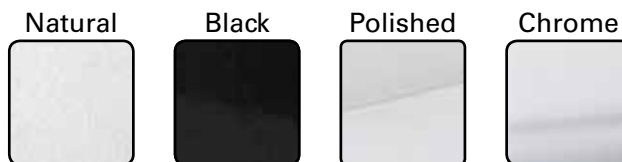


P L V F S
4-pin



Rear View

Available Finishes





GM AD STYLE

120 AMP
165 AMP
215 AMP



#18247
#38247



Rear
View



Front
View

AD230 Style 4.10"	Chrome	Polish	Natural	Black
120A for Cadillac / Chevy / GMC Trucks	18247	28247	8247	
165A for Cadillac / Chevy / GMC Trucks	38247	68247	48247	58247
120A for Impala / Century / Monte Carlo			8287	
165A for Impala / Century / Monte Carlo			48287	58287



#18237
#38237
14.65 lbs



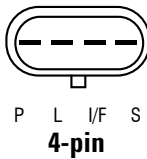
Rear
View



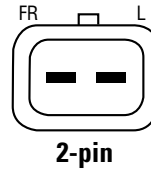
#48290
15.35 lbs



Rear
View

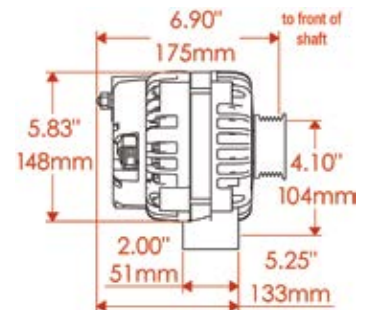


P L I/F S
4-pin



FR L
2-pin

AD244 Style	Chrome	Polish	Natural	Black
165A w/4-pin VR	18237	28237	8237	
215A w/4-pin VR	38237	68237	48237	58237
165A Transverse Mtg w/4-pin VR			8290	
215A Transverse Mtg w/4-pin VR			48290	58290
165A w/2-pin VR	18302	28302	8302	
215A w/2-pin VR	38302	68302	48302	58302



Alternators



Alternator Accessories



#111



#104



#110



#112



#115



Alternators

Overdrive Pulleys

Part #	Description
104	Serpentine, 6 groove 54mm O.D.
105	Serpentine, 6 groove 49mm O.D.
108	Serpentine, 8 groove
111	V-Belt, 10mm wide x 2.35" O.D.
113	Double V-Belt Pulley, 3/8" x 2-5/8" O.D. (NEW)
115	Serpentine, 6 groove 49mm O.D.
172	Serpentine, 3 groove 15mm Bore
175	Serpentine, 6 groove 46mm O.D.
178	2-5/8" O.D. x 3/8" w/nut (Black)

Chrome Pulleys

Part #	Description
110	V-Belt, 10mm wide x 54mm O.D.
112	Double V-Belt Pulley, 3/8" x 2-5/8" O.D.
114	Serpentine, 6 groove 54mm O.D.
117	V-Belt, 10mm wide x 2-5/8" O.D.
118	V-Belt, 10mm wide x 2-5/8" O.D. (Natural)
119	Serpentine, 6 groove 60mm O.D.
175	Serpentine, 6 groove 46mm O.D. (Natural)
176	V-Belt, 67mm O.D. (Natural)
177	Serpentine, 6 groove 46mm O.D.

Hard Coated for Durability



#181

Aluminum Hard Coated Race Pulleys

Part #	Description
181	V-Belt Race 2.80"
182	V-Belt Race 4.0"
183	V-Belt Race 5.25"
185	V-Belt Race 15mm Bore

15mm to 17mm spacer bushing included

All pulleys are deep groove to ensure belt retention at high RPM's. Includes 17mm to 15mm reducer bushing.

O-ring included



#367

#371

Pulley Cones

Part #	Description
367	6-hole Pulley Cone, Chrome
368	6-hole Pulley Cone, Polished
371	Smooth Pulley Cone, Chrome
372	Smooth Pulley Cone, Polished



Alternator Accessories

Charge Wires

- One of the most missed install problems is the proper charge wire.
- The connection between the alternator and the battery is very important.
- An undersized charge wire, especially with high output units or improperly attached terminals, could result in voltage/amperage loss and alternator and wire damage.
- Powermaster offers you charge wires, ready to use, in various lengths with terminals on both ends and a battery terminal boot installed.

Note: Charge wires are no longer packaged with any of our alternators.



#100
Terminal Boot

Terminals:
5/16" Eyelet Both Sides

Part #	Length	Gauge
1-24	2 ft	8
1-36	3 ft	8
1-48	4 ft	8
1-60	5 ft	6
1-84	7 ft	6
1-144	12 ft	4

AMPS	Up to 4'	4'-7'	7'-10'	10'-13'	13'-16'	16'-19'	19'-22'	22'-28'
35-50	12	12	10	10	10	8	8	8
50-65	10	8	8	6	6	6	6	4
65-85	10	8	8	6	6	4	4	4
85-105	8	8	6	4	4	4	4	2
105-125	6	6	4	4	2	2	2	0
125-150	6	6	4	2	2	2	2	0
150-175	4	4	4	2	2	0	0	0
175-200	4	4	2	2	0	0	0	00

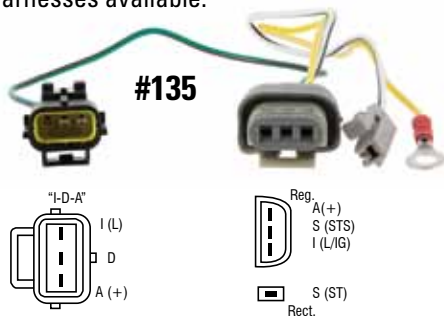
Terminals:
5/16" Eyelet Battery Sides
1/4" Eyelet Alternator Side

Part #	Length	Gauge
1-24-130	2 ft	8
1-36-130	3 ft	8
1-48-130	4 ft	8
1-60-130	5 ft	6
1-84-130	7 ft	6
1-144-130	12 ft	4

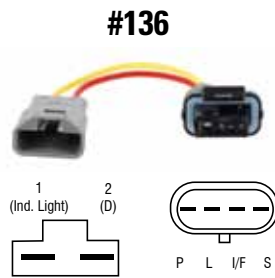
Alternators

Conversion Wiring Harnesses

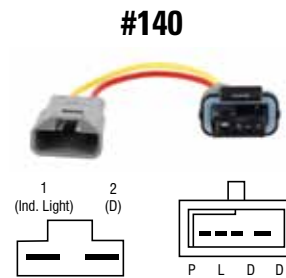
When building a classic or street machine, remember that it is not the year of the motor that determines which alternator to use, but which type of wiring harness the vehicle is equipped with. For easy installation, Powermaster has adapter wiring harnesses available.



#135



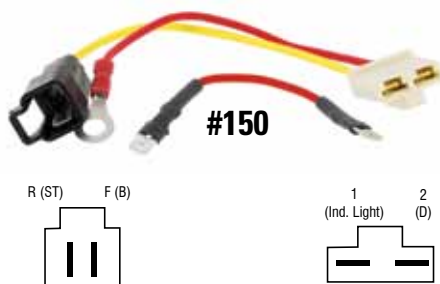
#136



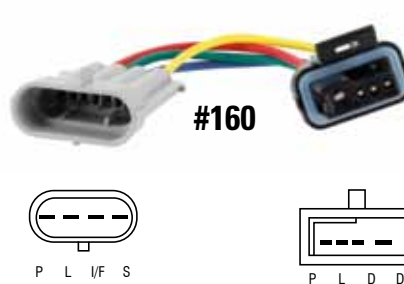
#140

Powermaster Adapter Wiring Harnesses

Part #	Description
135	Ford 6G to 3G
136	GM 10si to CS130D
140	GM 10si to CS130
150	GM 10DN to GM 10si
160	CS130D to CS130
164	ND Oval to ND Round



#150



#160



#164



Ford RETRO STYLE

75 AMP
85 AMP
215 AMP

Alternators

Fits
1969-'86



#17078
10.35 lbs



75 AMP
For 100-140A, see Ford Upgrade section



1G Style Alternators

- "Externally" regulated



Rear View



Attached
1 Wire
Voltage
Regulator

#17078

#170781

1G - Early OEM Look	Chrome	Polish	Natural	Black
75A w/1V pulley	17078	27078	7078	57078
75A w/1V pulley, 1-wire VR	170781	270781	70781	570781

Fits
1980-'91



#47704
15.75 lbs



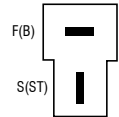
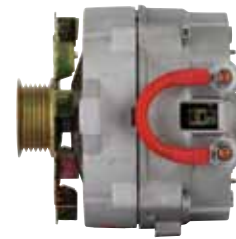
215 AMP



Large Case Alternators

- Excellent output at idle
- Dual output; battery isolator built in

External
Regulator Included!



Ford Large Case	Natural	Black
215A w/ 6-grv pulley	47704	57704

Fits
1986-'92



#17735
11.40 lbs



85 AMP
For 100-140A, see Ford Upgrade section



2G Style Alternators

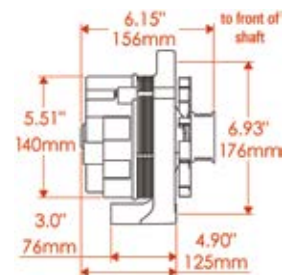
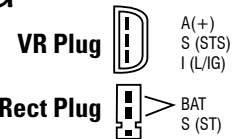
- "Internally" regulated
- OEM/retro look



Plug-In Harness #167
Now Included for
your convenience!



#17735
Rear View



2G - OEM Look	Chrome	Polish	Natural	Black
85A w/6-grv pulley	17735	27735	7735	57735



How to Choose an Alternator

- Make a list of your electrical components
- Determine amp draw on each and total
- Select an alternator with more amps than estimated to ensure long life of the alternator
- See our website for additional tips
- Call our Tech Support Line for selection assistance...
"What are you working on?"

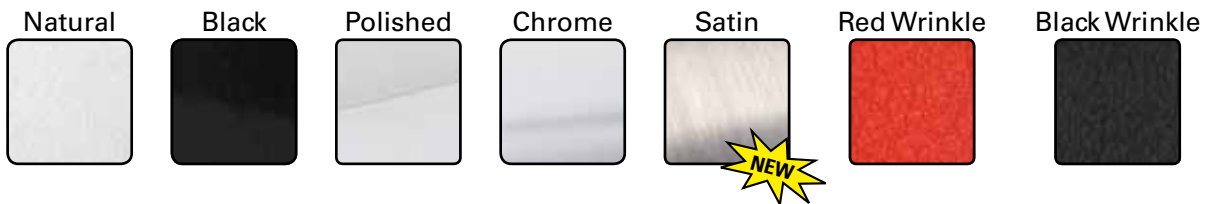
A AMP Requirements

B Brackets Available - mount your alternator without modifications

C Cosmetic Finish Desired for your Ride

Accessory	Example Amps	Your Amps
Headlights / Tail Lights	10	
Halogen Bulbs	10 ea	
Dash Lights	2-4	
Power Windows	15-20	
Dash Lights	2-4	
Air Conditioning	19-22	
Electric Fans	30-50	
Radio	4-10	
Audio Amplifiers	15-250+	
HEI Ignition	10-12	
Electric Water Pump	18-25	
Electric Fuel Pump	8-10	
Air Suspension Compressors	20-50	
Other		
TOTAL AMP DRAW		

Available Finishes



Because it works...



Ford UPGRADE

100 AMP
150 AMP

Fits
1963-'93
30 Years!



Ford Upgrade Alternators

- Bolt-on early model upgrade - no bracket modifications required
- One wire operation only
- Excellent output at idle
- Great choice for Mustangs!



For higher AMPS,
see 3G section

Alternators

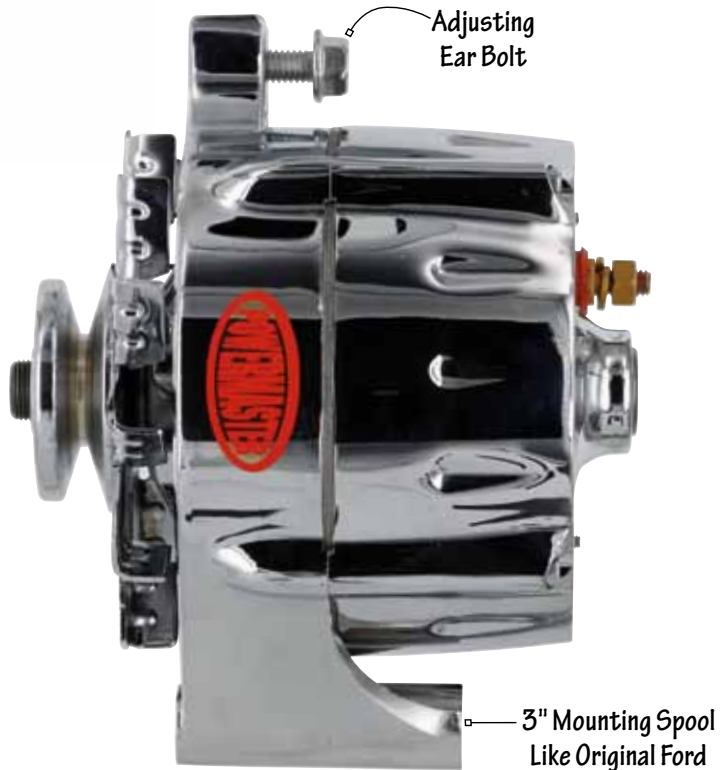


#8-37101
#8-37141
12.35 lbs

Square
Drive End
Like Original
Ford



6.93"



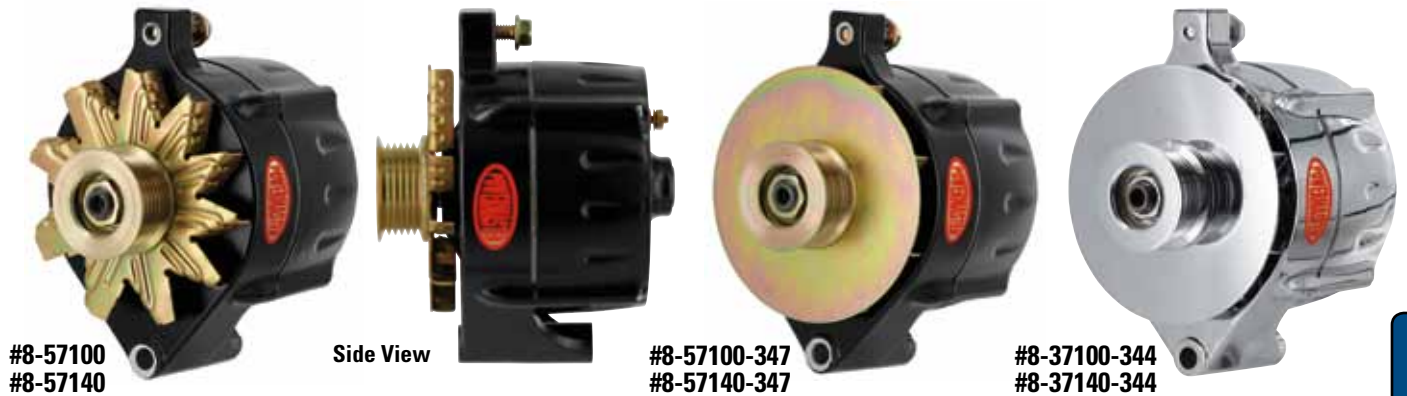
Available Finishes





Ford UPGRADE

100 AMP
150 AMP

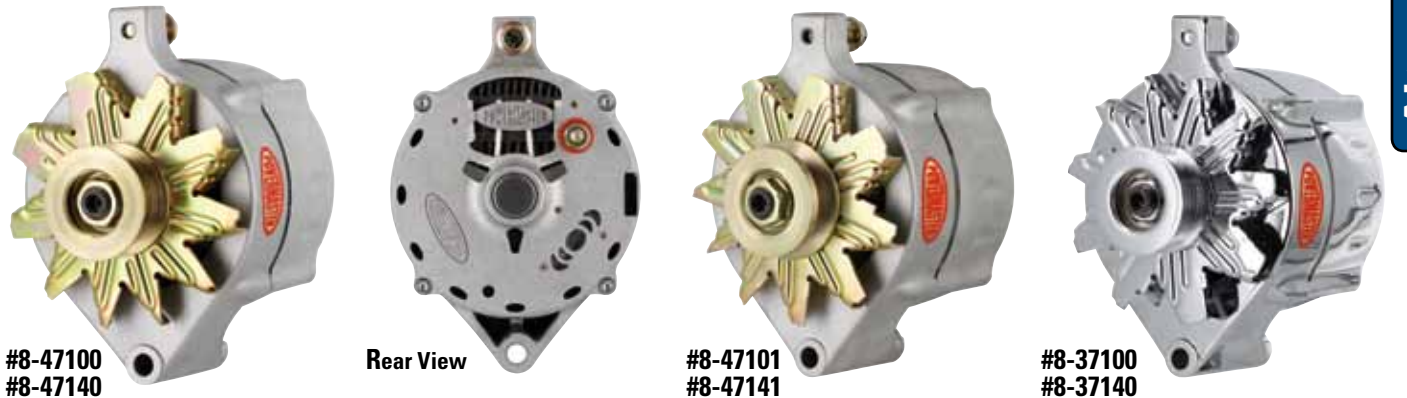


#8-57100
#8-57140

Side View

#8-57100-347
#8-57140-347

#8-37100-344
#8-37140-344



#8-47100
#8-47140

Rear View

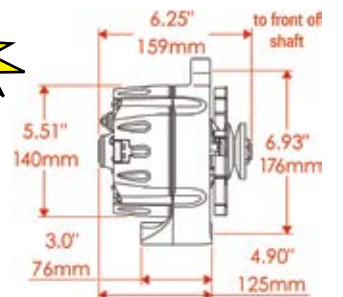
#8-47101
#8-47141

#8-37100
#8-37140

Alternators



Ford Upgrade Alternators	Chrome	Polish	Natural	Black	Satin
100A w/6-grv pulley	8-37100	8-67100	8-47100	8-57100	
100A w/6-grv pulley, baffle, cone	8-37100-344	8-67100-344	8-47100-347	8-57100-347	8-37100-360
100A w/1V pulley	8-37101	8-67101	8-47101	8-57101	
100A w/1V pulley, baffle & cone	8-37101-344	8-67101-344	8-47101-347	8-57101-347	8-37101-360
150A w/6-grv pulley	8-37140	8-67140	8-47140	8-57140	
150A w/6-grv pulley, baffle, cone	8-37140-344	8-67140-344	8-47140-347	8-57140-347	8-37140-360
150A w/1V pulley	8-37141	8-67141	8-47141	8-57141	
150A w/1V pulley & baffle	8-37141-344	8-67141-344	8-47141-347	8-57141-347	8-37141-360
For 200 Amps, see 3G section					



**Fits
Fox Body
Mustang!**

Mid Mount #730



Ford Mid-Mount Bracket #730

For SB Ford with 2 bolt & 3" mtg. spool, clockwise waterpump w/V-belt pulley. **Fits '79-'85 Mustang.**

Ford High Mount Bracket #732

For SB Ford with 2 bolt straight mount alternators & 3" mtg. spool, counter-clockwise water pump w/serpentine pulley. **Fits '86-'93 Mustang.**

Mounting Brackets	Chrome	Polish	Natural / Billet
Mid Mount Bracket	1730	2730	730
High Mount Bracket	1732	2732	732

High Mount #732





Ford

3G STYLE

120 AMP
140 AMP
155 AMP
200 AMP

Alternators



3G Style Alternators

- "Internally" regulated
- Excellent output at idle
- Dual internal fans for better cooling
- OEM hookup or 1-wire



#47759
14.70 lbs



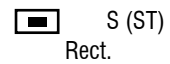
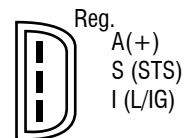
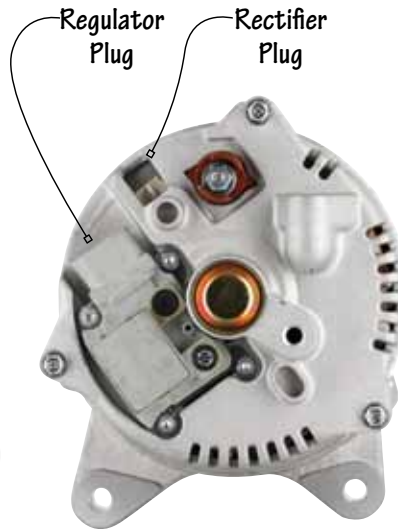
Small Frame Amps



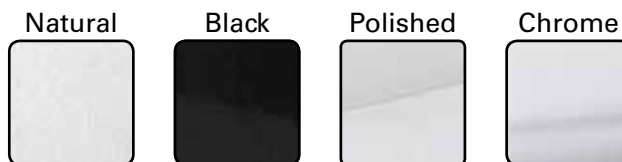
Large Frame Amps



#47764
14.65 lbs



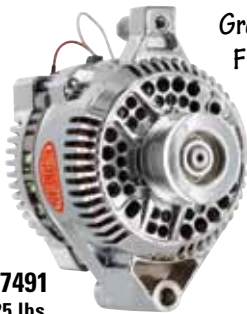
Available Finishes





Ford 3G STYLE

120 AMP
140 AMP
155 AMP
200 AMP



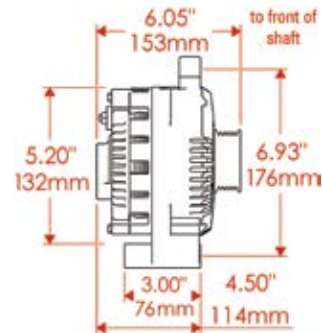
Great for Ford
FE Engines!



Side
View



Rear
View



#177491
12.25 lbs

3G Small Frame Straight Mtg 6.93"	Chrome	Polish	Natural	Black
120A w/1V & 6-grv pulley, 1-wire	177491	277491	77491	
155A w/1V & 6-grv pulley, 1-wire	377491	677491	477491	577491



#37759
14.70 lbs



#57759

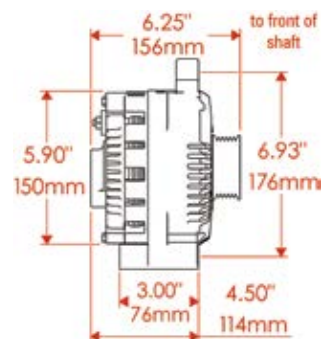


#477711
14.55 lbs



Rear
View

3G Large Frame Straight Mount 6.93"	Chrome	Polish	Natural	Black
140A str mtg, unthreaded	17771	27771		
140A str mtg w/1-wire VR, unthreaded	177711	277711	77711	
140A str mtg M8x1.25 w/adaptor harness			47757	57757
140A str mtg M8x1.25			47758	57758
140A str mtg M8x1.25 w/1-wire VR			477581	577581
200A w/1V & 6-grv pulley "Mustang"	37759		47759	57759
200A w/1V & 6-grv pulley "Mustang" 1-wire	377591		477591	577491
200A str mtg, unthreaded for Mustang	37771	67771	47771	57771
200A str mtg w/1-wire VR, unthread 1-wire	377711	677711	477711	577711



#37764
14.65 lbs



Side
View



Rear
View



Front
View

3G Large Frame V Mount	Chrome	Natural	Black
140A F150 / F350 4.6L & 5.4L	17753	47753	57753
140A w/1-wire VR	177531	477531	577531
200A w/8-grv pulley	37763	47763	57763
200A w/6-grv pulley	37764	47764	57764
200A w/6-grv pulley & 1-wire	377641	477641	577641

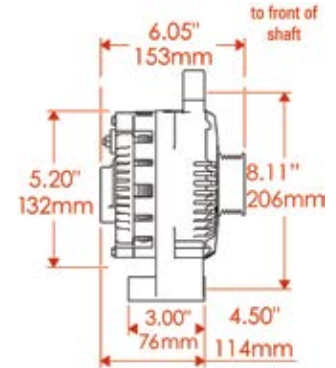
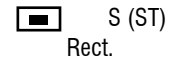
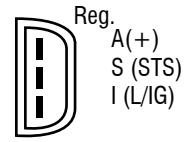
Alternators



Ford 3G STYLE

140 AMP
200 AMP

3G



#47752
15.10 lbs



Side View



Rear View

3G Large Frame Straight Long Mount 8.11"	Natural	Black
140A str long mtg 3:00, w/6-grv pulley	7761	
200A str long mtg 7:00, w/6-grv pulley	47752	57752
200A str long mtg 3:00, w/6-grv pulley	47761	57761

Alternators



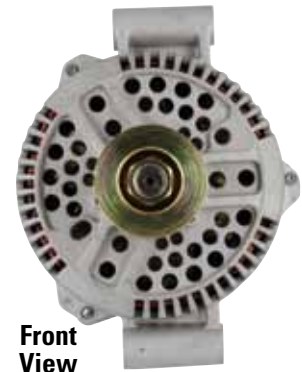
#47768
14.65 lbs



Side View



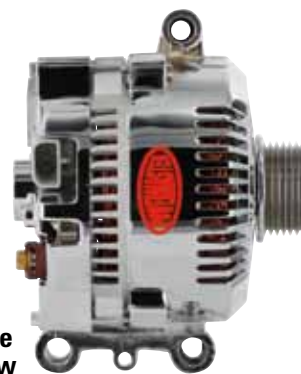
Rear View



Front View



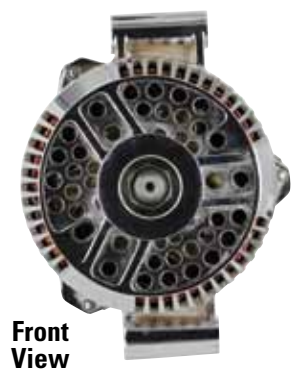
#37768
14.65 lbs



Side View



Rear View



Front View

3G Large Frame Transverse Mount 6.93"	Chrome	Natural	Black
140A Transverse mtg w/8-grv pulley	17747	47747	57747
140A Transverse mtg w/6-grv pulley	17768	7768	
140A Transverse mtg w/6-grv pulley	17750	47750	57750
140A Transverse mtg w/6-grv pulley & 1-wire VR	177501	477501	577501
200A Transverse mtg w/8-grv pulley	37767	47767	57767
200A Transverse mtg w/6-grv pulley	37768	47768	57768
200A Transverse mtg w/6-grv pulley & 1-wire VR	377681	477681	577681





Ford 4G STYLE

140 AMP
200 AMP



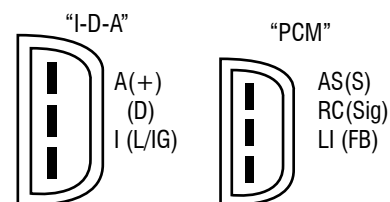
4G Style Alternators

- "Internally" regulated
- OEM hookup or 1-wire
- Excellent output at idle
- Dual internal fans for better cooling



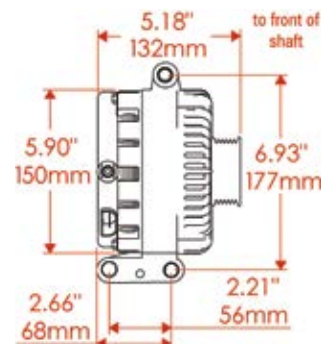
Alternators

4G Large Frame V Mount	Chrome	Polish	Natural	Black
140A w/6-grv pulley & I-D-A terminals	17781	27781	7781	
140A w/8-grv pulley & I-D-A terminals, "Lightning"			8251	
200A w/6-grv pulley & I-D-A terminals	37781	67781	47781	57781
200A w/6-grv pulley & 1-wire	377811	677811	477811	577811
200A w/8-grv pulley & I-D-A terminals, "Lightning"	38251		48251	58251
200A w/6-grv pulley & PCM VR (LI-RC-AS term.)	38313		48313	58313



4G Transverse Mount 6.93"	Natural	Black
140A Transverse mtg w/6-grv pulley & I-D-A terminals	7787	
200A Transverse mtg w/6-grv pulley & I-D-A terminals	47787	57787
200A Transverse mtg w/6-grv pulley & 1-wire	477871	577871

4G Transverse Mount 6.93"	Natural	Black
140A Transverse mtg w/6-grv pulley & PCM VR (LI-RC-AS term.)	8403	
140A Transverse mtg w/6-grv pulley & PCM VR (LI-RC-AS term.)	8405	
200A Transverse mtg w/6-grv pulley & PCM VR (LI-RC-AS term.)	48403	58403
200A Transverse mtg w/6-grv pulley & 1-wire	484031	584031
200A Transverse mtg w/6-grv pulley & PCM VR (LI-RC-AS term.)	48405	58405
200A Trans mtg w/6-grv pulley & 1-wire	484501	584051





Ford 6G STYLE

120 AMP
140 AMP
155 AMP
200 AMP



6G Style Alternators

- Excellent output at idle
- Dual internal fans for great cooling
- O.E. hookup only

Alternators



#7795
#47795
14.60 lbs



Rear View

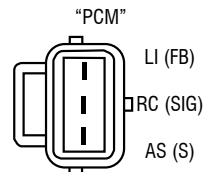
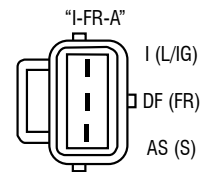
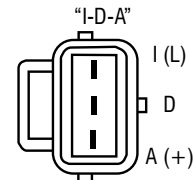
Large Frame Amps



#48478
14.60 lbs



Rear View



Small Frame Amps

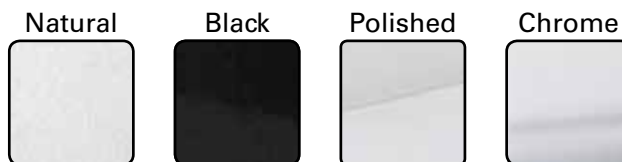


#47796
13.10 lbs



Rear View

Available Finishes





Ford 6G STYLE

120 AMP
140 AMP
155 AMP
200 AMP

Alternators

6G Large Frame V Mount	Chrome	Polish	Natural	Black
140A V Mount VR w/I-D-A	17795	27795	7795	
140A V Mount VR w/I-FR-A	18305	28305	8305	
140A V Mount VR w/FR-SIG-A	18315	28315	8315	
140A V Mount VR w/I-D-A	18448	28448	8448	
140A "Mustang" V Mount VR w/FR-SIG-A	18516	28516	8516	
200A V Mount VR w/I-D-A	37795	67795	47795	57795
200A 4.6L/5.4L Navigator/Expedition w/I-FR-A	38305	68305	48305	58305
200A V Mount VR w/FR-SIG-A	38315	68315	48315	58315
200A V Mount VR w/I-D-A	38448	68448	48448	58448
200A "Mustang" V Mount VR w/FR-SIG-A	38516	68516	48516	58516

6G Large Frame Transverse Mount	Polish	Natural	Black
140A Trans. mtg w/6-grv "Mustang"	28253	8253	
200A Trans. mtg w/8-grv pulley & VR w/I-D-A		48478	58478
200A Trans. mtg w/6-grv pulley & VR w/I-FR-A		48259	58259
200A Trans. mtg w/6-grv "Mustang"	68253	48253	58253
200A Trans. mtg w/8-grv pulley & VR w/I-D-A		48307	58307
200A Trans. mtg "Mustang" 4.0L VR w/FR-SIG-A		48437	58437



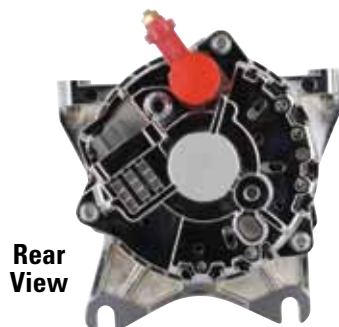
#57795
14.60 lbs



Rear View



#38252
12.50 lbs



Rear View



#48260
13.10 lbs



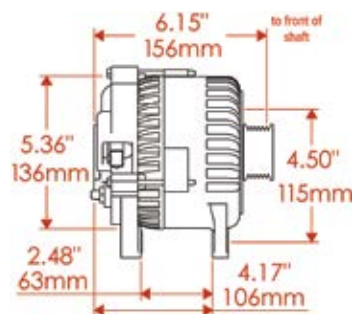
Rear View

6G Small Frame V Mount	Chrome	Polish	Natural	Black
120A 4.6L SOHC "Mustang" & VR w/I-D-A	18252	28252		
155A 4.6L SOHC "Mustang" & VR w/I-D-A	38252	68252	48252	58252

6G Small Frame Saddle Mount	Natural	Black
120A 4.6L SOHC "Mustang" & VR w/I-D-A	48250	58250
155A 4.6L SOHC "Mustang" & VR w/I-D-A	48260	58260
155A 4.6L/5.4L Navigator/Expedition w/I-FR-A	48265	58265
155A 2.3L Ranger w/I-FR-A	48518	58518

6G Small Frame Transverse Mount	Chrome	Polish	Natural	Black
120A Trans. mtg for 7.3L & VR w/I-D-A	17796	27796		
155A Trans. mtg w/8-grv & I-D-A Term.			48317	
155A Trans. mtg for 7.3L & VR w/I-D-A	37796	67796	47796	57796
155A Trans. mtg for 2.5L "Cougar" VR w/I-D-A			48254	58254

6G Small Frame Straight Mount	Natural	Black
155A str mtg, VR w/I-FR-A	48263	58263
155A 3.8L, 3.9L "Mustang" VR w/I-D-A	48266	58266



Saddle Mount



CHRYSLER

90 AMP

RETRO



Early Chrysler Alternators

- Excellent output at idle
- "Externally" regulated
- 1-wire operation available

Alternators



#17509
13.50 lbs

USE UNIVERSAL HARNESS

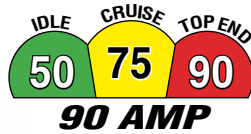
F(1) green

F(2) jumper to Black (B-)

Ext. Reg.



Rear View
External
Regulator



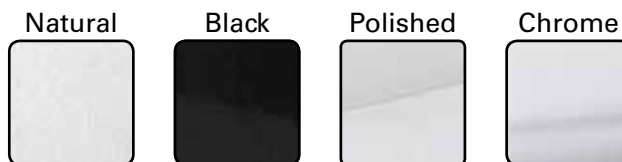
#175091
13.50 lbs

1-Wire Regulator



Rear View
1-wire

Available Finishes





CHRYSLER RETRO

90 AMP

In the beginning...

Fits
1961-'69



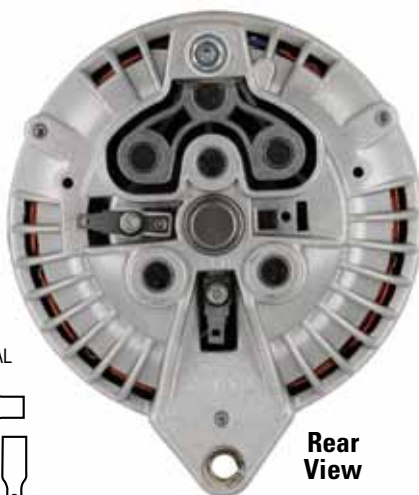
#17019
13.50 lbs

USE UNIVERSAL
HARNES

F(1) green

F(2) jumper to Black (B-)

Ext. Reg.



Rear
View

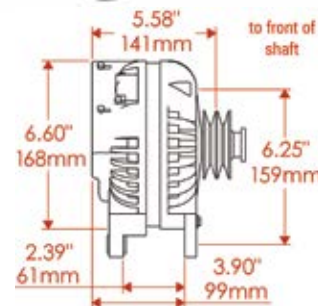


#7018
13.50 lbs

Chrysler Early "Roundback" Alt.	Chrome	Natural
90A Double Field w/2V pulley	7019	17019
90A Double Field w/1V pulley	7018	17018



Need more output?
See Chrysler
Upgrades Section!



Alternators

Fits
1970-'76



#7409
#7509
13.50 lbs

USE UNIVERSAL
HARNES

F(1) green

F(2) jumper to Black (B-)

Ext. Reg.

The Later "Squareback" Look



Rear
View



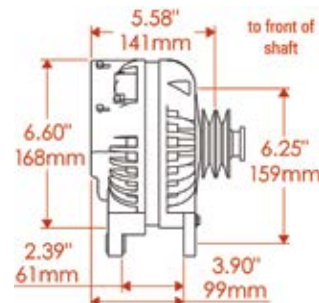
#7419
#7519
13.50 lbs

Chrysler "Squareback" Alt.	Chrome	Natural
90A Double Field w/2V pulley	17509	7509
90A Double Field w/2V pulley & 1-wire	175091	75091
90A Double Field w/1V pulley	17519	7519
90A Double Field w/1V pulley & 1-wire	175191	75191



Supercessions

- 7409 use 7509
- 74091 use 75091
- 7419 use 7519
- 74191 use 75191
- 7508 use 7519





CHRYSLER WW

140 AMP
170 AMP
210 AMP



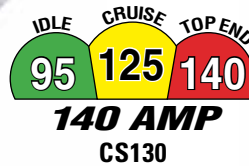
Chrysler Upgrades

- Increases Amps at Idle and Top End
- 140A/215A 1-wire operation
- 170A 1-wire or O.E. hookup

Alternators



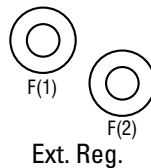
#8-37529
11.15 lbs



Rear View



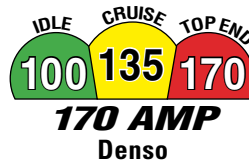
#43311
#433111
13.90 lbs



For use with Ext.
Regulator
O.E. Hookup



#43311
Rear View



Available Finishes





CHRYSLER UPGRADE

140 AMP
170 AMP
215 AMP

IDLE 95 CRUISE 125 TOP END 140
140 AMP

CS130



#8-47529



Rear View



Supplied with (2) spacers to extend mounting spool if required



CS130 w/External Fan	Chrome	Polish	Natural	Black
140A w/spacer - Small Block Only, 1-wire	8-37529	8-67529	8-47529	8-57529

IDLE 140 CRUISE 190 TOP END 215
215 AMP

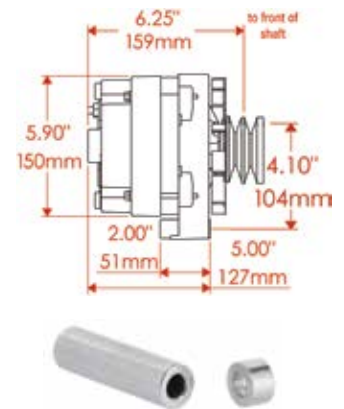
CS144



#8-47539



Rear View

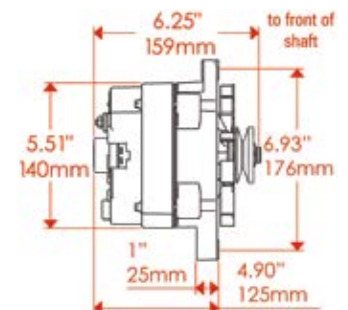


Supplied with (2) spacers to extend mounting spool if required



CS144 w/External Fan & Baffle	Chrome	Polish	Natural	Black
215A w/spacer - Small Block Only, 1-wire	8-37539	8-67539	8-47539	8-57539

Denso w/Internal Fans	Chrome	Polish	Natural	Black
170A Denso, externally regulated		63311	43311	53311
170A Denso, 1-wire only		633111	433111	533111
170A Denso, XS Volt™ 130mm	XS	633118	433118	533118



Alternators



CHRYSLER UPGRADE

165 AMP
215 AMP

The
MOPAR
"LOOK"



Chrysler Upgrades

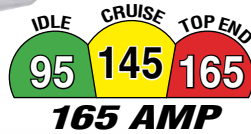


- Huge output at idle
- Dual internal fans for great cooling
- **Side Battery Post** for maximum clearance
- 1-wire operation only

Alternators



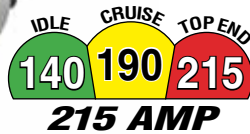
#8-38529
12.00 lbs



Rear
View



#8-48539
15.15 lbs

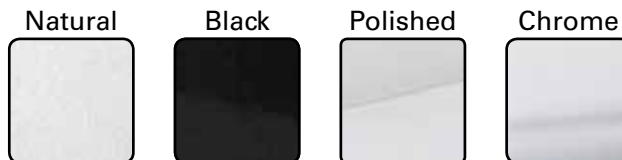


Side Battery
Post



Rear
View

Available Finishes





CHRYSLER UPGRADE

165 AMP
215 AMP

"Snug it Up"
with Side
Post Option!



#8-58529



#8-38529
Rear View



#8-58529
Rear View



#8-38529
Rear View

Alternators

Chrysler Upgrades	Chrome	Polish	Natural	Black
165A AD style w/2V pulley	8-38529	8-68529	8-48529	8-58529
215A AD style w/2V pulley	8-38539	8-68539	8-48539	8-58539
165A AD style w/ 6-grv serp. pulley	8-38529-113	8-68529-113	8-48529-103	8-58529-103
215A AD style w/ 6-grv serp. pulley	8-38539-113	8-68539-113	8-48539-103	8-58539-103
165A AD style w/1V pulley	8-38529-116	8-68529-116	8-48529-120	8-58529-120
215A AD style w/1V pulley	8-38539-116	8-68539-116	8-48539-120	8-58539-120



Supplied with (2) spacers
to extend mounting spool
if required



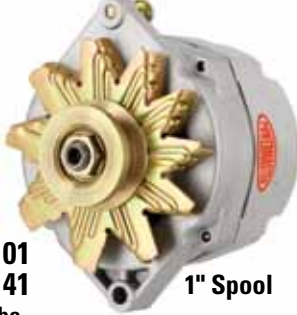
JEEP UPGRADES

100 AMP
150 AMP
170 AMP



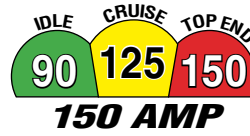
Jeep Upgrade Alternators

- Excellent idle output
- 1-wire operation only



#8-46101
#8-46141
12.30 lbs

1" Spool



Replaces Motorola 1" Spool



#17294-364
#37293-364
12.30 lbs

2" Spool



#47293



#57294

Replaces GM 2" Spool



#8-37101
#8-37141
12.35 lbs

3" Spool



#8-47100-347
#8-47140-347
12.30 lbs



#8-57101
#8-57141
12.35 lbs

Replaces Motorcraft 3" Spool



#433111
12.35 lbs

Saddle Mount



Replaces Denso 2.3" Saddle

Alternators



JEEP UPGRADES

100 AMP
150 AMP
170 AMP



#8-36101
#8-36141



#8-36101-344
#8-36141-344



#8-56100
#8-56140



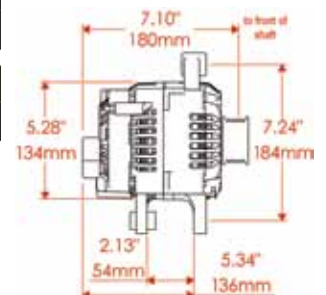
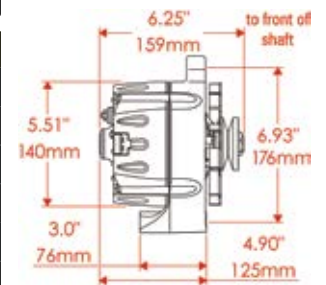
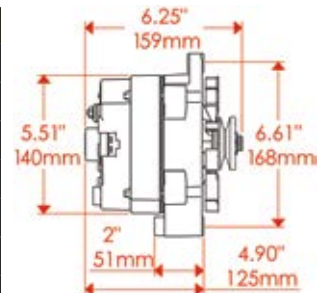
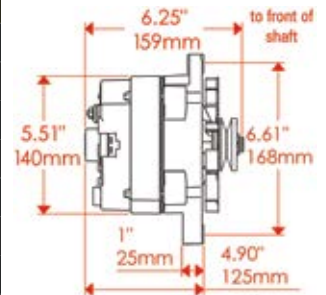
#8-56100-344
#8-56140-344

1" Spool Motorola Replacement	Chrome	Polish	Natural	Black
100A w/1V pulley	8-36101	8-66101	8-46101	8-56101
100A w/6-grv pulley	8-36100	8-66100	8-46100	8-56100
100A w/1V pulley & baffle	8-36101-344	8-66101-344	8-46101-347	8-56101-347
100A w/ 6-grv pulley & baffle	8-36100-344	8-66100-344	8-46100-347	8-56100-347
150A w/1V pulley	8-36141	8-66141	8-46141	8-56141
150A w/6-grv pulley	8-36140	8-66140	8-46140	8-56140
150A w/1V pulley & baffle	8-36141-344	8-66141-344	8-46141-347	8-56141-347
150A w/ 6-grv pulley & baffle	8-36140-344	8-66140-344	8-46140-347	8-56140-347

2" Spool GM Replacement	Chrome	Polish	Natural	Black
100A w/1V pulley	17294	27294	7294	
100A w/6-grv pulley	17294-114	27294-114	7294-104	
100A w/1V pulley & baffle	17294-344	27294-344	7294-347	
100A w/ 6-grv pulley & baffle	17294-364	27294-364	7294-348	
150A w/1V pulley	37293	67293	47293	57293
150A w/6-grv pulley	37293-114	67293-114	47293-104	57293-104
150A w/1V pulley & baffle	37293-344	67293-344	47294	57294
150A w/ 6-grv pulley & baffle	37293-364	67293-364	47294-104	57294-104

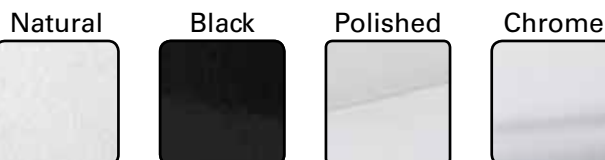
3" Spool Motorcraft Replacement	Chrome	Polish	Natural	Black
100A w/1V pulley	8-37101	8-67101	8-47101	8-57101
100A w/6-grv pulley	8-37100	8-67100	8-47100	8-57100
100A w/1V pulley & baffle	8-37101-344	8-67101-344	8-47101-347	8-57101-347
100A w/ 6-grv pulley & baffle	8-37100-344	8-67100-344	8-47100-347	8-57100-347
150A w/1V pulley	8-37141	8-67141	8-47141	8-57141
150A w/6-grv pulley	8-37140	8-67140	8-47140	8-57140
150A w/1V pulley & baffle	8-37141-344	8-67141-344	8-47141-347	8-57141-347
150A w/ 6-grv pulley & baffle	8-37140-344	8-67140-344	8-47140-347	8-57140-347

2.3" Saddle Mnt. Denso Replacement	Chrome	Polish	Natural	Black
170A Denso 130mm, 1-wire	tba	633111	433111	533111



Alternators

Available Finishes





Alternator Application Guide

	Engine Size	Equip	PM Amps	Family	OE / Look	Chrome	Polished	Amps	Family
Acura CL									
1997-1999	3.0L	STD	120/90	CS130D				150/105	CS130D
AMC									

AMX, Gremlin, Hornet, Javelin

1964-1979	SEE BELOW								
All W / Motorola		STD	35/20					100/75	FDUPG
All W / Delco Remy		STD	85/55	10SI	7127	17127	27127	100/70	12SI
All W / Motorcraft		STD	75/55	1G	7078	17078	27078	100/75	FDUPG

Buick

Full Size

1973-1979	All	STD	85/55	10SI	7127	17127	27127	100/70	12SI
1963-1972	All	STD	70/45	10DN	7102	17102	27102	100/70	12SI

Grand National

1986-1987	3.8L Turbo	STD	170/125	CS144	7864	17864	27864		
1984-1985	3.8L Turbo	STD	100/70	12SI	7294	17294	27294	150/90	12SI

Grand Sport

1972	350, 455	STD	85/55	10SI	7127	17127	27127	100/70	12SI
1968-1971	All	STD	70/45	10DN	7102	17102	27102	100/70	12SI

Roadmaster

1994-96	5.7L	STD	170/125	CS144	8112	18112	28112		
1992-93	5.0L, 5.7L	STD	105/85	CS130	7861	17861	27861		
1973-1979	Int Reg	STD	85/55	10SI	7127	17127	27127	100/70	12SI
1963-1972	Ext Reg	STD	70/45	10DN	7102	17102	27102	100/70	12SI

Chevrolet

Camaro / Z28

1998-2002	5.7L	STD	120/90	CS130D	8242	18242	28242	165/95	CS130D
1995-2002	3.8L	STD	120/90	CS130D	8272	18272	28272	165/95	CS130D
1993-1997	3.4L(207)	STD	105/85	CS130	8114	18114	28114	140/95	CS130
1993-1997	5.7L(350)	STD	170/125	CS144	7805	17805	27805		
1987-1992	2.8L, 3.1L	STD	105/85	CS130	7860	17860	27860	140/95	CS130
1988-1992	5.0L, 5.7L	STD	105/85	CS130	7861	17861	27861	140/95	CS130
1987	5.0L, 5.7L	STD	105/85	CS130	7802	17802	27802	140/95	CS130
1985-1986	2.5L(151)	STD	105/85	CS130	7802	17802	27802	140/95	CS130
1985-1986	2.8L(173)	STD	100/70	12SI	7294	17294	27294	140/90	12SI
	w / AC	OPT	120/95	17SI	7288	17290	27290		
1985-1986	5.0L(305G,H)	STD	100/70	12SI	7294	17294	27294	150/90	12SI
1985-1986	5.0L(305F)	STD	170/125	CS144	7806	17806	27806		
1983-1984	All exc.below	STD	100/70	12SI	7294	17294	27294	150/90	12SI
	5.0L(305S)	STD	120/95	17SI	7288	17290	27290		
1981-1982	All Exp Opt HD	STD	100/70	12SI	7294	17294	27294	150/90	12SI
1981-1982	Opt HD	OPT	120/95	17SI	7288	17290	27290		



Alternator Application Guide

Chrome	Natural	Black	Polished	Plug Req.	Amps	Family	Chrome	Natural	Black	Polished	Plug Req.
	994001	995001									

8-36101	8-46101	8-56101			140/90	FDUPG	8-36141	8-46141	8-56141		
17294	7294		27294		150/90	12SI	37293	47294	57294	67293	
8-37101	8-47101	8-57101	8-67101		140/90	FDUPG	8-37141	8-47141	8-57141	8-67141	

17294	7294		27294		150/90	12SI	37293	47294	57294	67293	
17294	7294		27294	150*	150/90	12SI	37293	47294	57294	67293	150*

					200/125	CS144	37864	47864	57864	67864	
37293	47294	57294	67293								
17294	7294		27294		150/90	12SI	37293	47294	57294	67293	
17294	7294		27294	150*	150/90	12SI	37293	47294	57294	67293	150*

					200/125	CS144	38112	48112	58112	68112	
					200/125	CS144	38203	48203	58203	68203	
17294	7294		27294		150/90	12SI	37293	47294	57294	67293	
17294	7294		27294	150*	150/90	12SI	37293	47294	57294	67293	150*

38242	48242	58242	68242		200/135	AD244	38237	48237	58237	68237	
38272	48272	58272	68272								
38114	48114	58114	68114								
					200/125	CS144	37805	47805	57805	67805	
37860	47860	57860	67860		200/125	CS144	38203	48203	58203	68203	
37861	47861	57861	67861		200/125	CS144	38203	48203	58203	68203	
37802	47802	57802	67802								
37802	47802	57802	67802								
37293	47294	57294	67293								
					200/125	CS144	37806	47806	57806	67806	140
37293	47294	57294	67293								
					200/125	CS144	37806	47806	57806	67806	
37293	47294	57294	67293								
					200/125	CS144	37806	47806	57806	67806	140
37293	47294	57292	67293								
					200/125	CS144	37806	47806	57806	67806	140

CARS



Alternator Application Guide

	Engine Size	Equip	PM Amps	Family	OE / Look	Chrome	Polished	Amps	Family
1973-1980	All	STD	85/55	10SI	7127	17127	27127	100/70	12SI
1967-1972	All	STD	70/45	10DN	7102	17102	27102	100/70	12SI

Caprice

1994-1996	5.7L(350) 4.3L (265)	STD	105/85	CS130	7914	17914		140/95	CS130
	Opt HD	OPT	170/125	CS144	8112	18112	28112		
1991-1993	All exc.below	STD	105/85	CS130	7861	17861	27861	140/95	CS130
	Opt HD	OPT	170/125	CS144	7864	17864	27864		
1989-1990	4.3L (262) 5.0L (305)	STD	105/85	CS130	7861	17861	27861	140/95	CS130
	Opt HD	OPT	170/125	CS144	7864	17864	27864		
1988-1990	5.0L (307)	STD	105/85	CS130	7803	17803	27803	140/95	CS130
	5.7L (350)	STD	170/125	CS144	7864	17864	27864		
1988	4.3L (262)	STD	100/70	12SI	7294	17294	27294	150/90	12SI
	w/HBL	STD	105/85	CS130	7802	17802	27802	140/95	CS130
	Opt HD	OPT	170/125	CS144	7806	17806	27806		
	5.0L (305)	STD	105/85	CS130	7802	17802	27802	140/95	CS130
1980-1987	All	STD	100/70	12SI	7294	17294	27294	150/90	12SI
	Opt HD	OPT	120/95	17SI	7288	17290	27290		
1972-1979	All	STD	85/55	10SI	7127	17127	27127	100/70	12SI
1963-1971	All	STD	70/45	10DN	7102	17102	27102	100/70	12SI

Chevelle / SS Chevelle / Nova

1972-1979	All w/internal regulator	STD	85/55	10SI	7127	17127	27127	100/70	12SI
1963-71	All w/external regulator	STD	70/45	10DN	7102	17102	27102	100/70	12SI

Corvette

2001-2010	All exc ZR1 clutch pulley	13969A	145/95		TBA				
1997-2000	All exc ZR1 w/o clutch pul	13968	145/95		TBA				
1994-1996	5.7L(ZR1)	STD	170/125	CS144	7864	17864	27864		
1994-1996	5.7 exc. ZR1	STD	170/125	CS144	7806	17806	27806		
1990-1993	5.7L(ZR1) & (350P)	STD	170/125	CS144	7864	17864	27864		
1990-1993	5.7L(350-8)	STD	105/85	CS130	7803	17803	27803	140/95	CS130
1986-1989	All	STD	105/85	CS130	7803	17803	27803	140/95	CS130
1984-1985	All	STD	120/95	17SI	7288	17290	27290		
1980-1982	All Exp Opt HD	STD	85/55	10SI	7127	17127	27127	100/70	12SI
1980-1982	Opt HD	OPT	120/95	17SI	7288	17290	27290		
1969-1979	All	STD	85/55	10SI	7127	17127	27127	100/70	12SI
1963-1968	All	STD	70/45	10DN	7102	17102	27102	100/70	12SI

El Camino / GMC Caballero

1986-1988	All	STD	100/70	12SI	7294	17294	27294	150/90	12SI
1983-1985	All Exp Opt HD	STD	100/70	12SI	7294	17294	27294	150/90	12SI
1983-1985	Opt HD	OPT	120/95	17SI	7288	17290	27290		
1980-1982	All Exp Opt HD	STD	85/55	10SI	7127	17127	27127	100/70	12SI
1980-1982	Opt HD	OPT	120/95	17SI	7288	17290	27290		



Alternator Application Guide

Chrome	Natural	Black	Polished	Plug Req.	Amps	Family	Chrome	Natural	Black	Polished	Plug Req.
17294	7294		27294		150/90	12SI	37293	47294	57294	67293	
17294	7294		27294	150*	150/90	12SI	37293	47294	57294	67293	150

37914	47914	57914									
					200/125	CS144	38112	48112	58112	68112	
37861	47861	57861	67861		200/125	CS144	38203	48203	58203	68203	
					200/125	CS144	37864	47864	57864		
37861	47861	57861	67861		200/125	CS144	38203	48203	58203	68203	
					200/125	CS144	37864	47864	57864		
37803	47803	57803									
					200/125	CS144	37864	47864	57864		
37293	47294	57294	67293								
37802	47802	57802	67802								
					200/125	CS144	37806	47806	57806	67806	
37802	47802	57802	67802								
37293	47294	57294	67293								
					200/125	CS144	37806	47806	57806	67806	140
17294	7294		27294		150/90	12SI	37293	47294	57294	67293	
17294	7294		27294	150*	150/90	12SI	37293	47294	57294	67293	150*

17294	7294		27294		150/90	12SI	37293	47294	57294	67293	
17294	7294		27294	150*	150/90	12SI	37293	47294	57294	67293	150

					200/125	CS144	37864	47864	57864	67864	
					200/125	CS144	37806	47806	57806	67806	
					200/125	CS144	37864	47864	57864	67864	
37803	47803	57803	67803								
37803	47803	57803	67803								
					200/125	CS144	37806	47806	57806	67806	140
17294	7294		27294		150/90	12SI	37293	47294	57294	67293	
					200/125	CS144	37806	47806	57806	67806	140
17294	7294		27294		150/90	12SI	37293	47294	57294	67293	
17294	7294		27294	150*	150/90	12SI	37293	47294	57294	67293	150*

37293	47294	57294	67293								
37293	47294	57294	67293								
					200/125	CS144	37806	47806	57806	67806	140
17294	7294		27294		150/90	12SI	37293	47294	57294	67293	
					200/125	CS144	37806	47806	57806	67806	140

CARS



Alternator Application Guide

	Engine Size	Equip	PM Amps	Family	OE / Look	Chrome	Polished	Amps	Family
1972-1979	All	STD	85/55	10SI	7127	17127	27127	100/70	12SI
1963-1971	All	STD	70/45	10DN	7102	17102	27102	100/70	12SI

Impala

2002-2005	3.4L 3.8L	STD	120/90	AD230	8287				
2000-2001	3.4L 3.8L	STD	120/90	CS130D	8243			165/95	CS130D
1994-1996	5.7L (SS)	STD	170/125	CS144	8112	18112	28112		
1973-1979	All	STD	85/55	10SI	7127	17127	27127	100/70	12SI
1963-1972	All	STD	70/45	10DN	7102	17102	27102	100/70	12SI

Malibu, Early Models, See Chevelle

Monte Carlo

2002-2005	3.4L 3.8L	STD	120/90	AD230	8287				
2000-2001	3.4L 3.8L	STD	120/90	CS130D	8243			165/95	CS130D
1998-1999	3.8L (231 only)	STD	120/90	CS130D	8272	18272	28272	165/95	CS130D
1980-1987	All Exp Opt HD	STD	100/70	12SI	7294	17294	27294	150/90	12SI
1980-1987	All Opt Lg Case	OPT	120/95	17SI	7288	17290	27290		
1973-1979	All	STD	85/55	10SI	7127	17127	27127	100/70	12SI
1970-1972	All	STD	70/45	10DN	7102	17102	27102	100/70	12SI

Nova / SS Nova, See Chevelle

Chrysler

300

2008-2012	All Hemi	11383	160/140		TBA				
2005-2007	All Hemi	11113	160/140		TBA				
Models									
1985-1999	All exc. Mitsubishi	UPG	170/100	CHUPG				170/100	CHUPG

Note: 6-groove serpentine pulley supplied; pulley change may be required

									All with ext. fan
Early Models									
1960-1973	All Dbl Pulley	STD	90/65		7509	17509		140/95	CS130
	All Dbl Pulley 1-wire				75091	175091			
	All Sgl Pulley	STD	90/65		7519	17519		140/95	CS130
	All Sgl Pulley 1-wire				75191	175191			
1974-1984	All Dbl Pulley	STD	90/65		7509	17509		140/95	CS130
	All Dbl Pulley 1-wire				75091	175091			
	All Sgl Pulley	STD	90/65		7519	17519		140/95	CS130
	All Sgl Pulley 1-wire				75191	175191			All with int. fan
1960-1984	All Dbl Pulley	STD	90/65					165/95	AD230
	All Sgl Pulley	STD	90/65					165/95	AD230
1960-1969	All Dbl Pulley Rnd Back	STD	60/45		7019	17019			
1960-1969	All Sgl Pulley Rnd Back	STD	60/45		7018	17018			

Dodge (also see Chrysler)

Challenger

2008-2012	All Hemi	11383	160/140		TBA				
-----------	----------	-------	---------	--	-----	--	--	--	--



Alternator Application Guide

Chrome	Natural	Black	Polished	Plug Req.	Amps	Family	Chrome	Natural	Black	Polished	Plug Req.
17294	7294		27294		150/90	12SI	37293	47294	57294	67293	
17294	7294		27294	150*	150/90	12SI	37293	47294	57294	67293	150*

					165/95	AD230		48287	58287		
	48243	58243									
					200/125	CS144	38112	48112	58112	68112	
17294	7294		27294		150/90	12SI	37293	47294	57294	67293	
17294	7294		27294	150*	150/90	12SI	37293	47294	57294	67293	150*

					165/95	AD230		48287	58287		
	48243	58243									
38272	48272	58272	68272								
37293	47294	57294	67293								
					200/125	CS144	37806	47806	57806	67806	140
17294	7294		27294		150/90	12SI	37293	47294	57294	67293	
17294	7294		27294	150*	150/90	12SI	37293	47294	57294	67293	150*



	43311	53311	63311								

						All with ext. fan					
8-37529	8-47529	8-57529	8-67529		215/140	CS144	8-37539	8-47539	8-57539	8-67539	
8-37529	8-47529	8-57529	8-67529		215/140	CS144	8-37539	8-47539	8-57539	8-67539	
8-37529	8-47529	8-57529	8-67529		215/140	CS144	8-37539	8-47539	8-57539	8-67539	
8-37529	8-47529	8-57529	8-67529		215/140	CS144	8-37539	8-47539	8-57539	8-67539	
						All with int. fan					
8-38529	8-48529	8-58529	8-68529		215/140	AD244	8-38539	8-48539	8-58539	8-68539	
8-38529	8-48529	8-58529	8-68529		215/140	AD244	8-38539	8-48539	8-58539	8-68539	

--	--	--	--	--	--	--	--	--	--	--	--

CARS



Alternator Application Guide

	Engine Size	Equip	PM Amps	Family	OE / Look	Chrome	Polished	Amps	Family
--	-------------	-------	---------	--------	-----------	--------	----------	------	--------

Charger

2006-2007	All Hemi	11113	160/140		TBA				
2008-2012	All Hemi	11383	160/140		TBA				

Magnum

2005-2007	All Hemi	11113	160/140		TBA				
2008-2012	All Hemi	11383	160/140		TBA				

Ford

Crown Victoria / LTD

2000-2002	4.6L	STD	140/100	6G	7795				
1998-2000	4.6L	STD	140/100	4G	7781				
1995-1997	4.6L	STD	140/100	3G	7764				
1992-1994	4.6L	STD	140/100	3G	7764				
1986-1991	5.0L, 5.8L	STD	85/60	2G	7735	17735	27735	150/90	FDUPG
1986-1991	Opt HD w/Ext Reg	OPT	100/75	1G LG					
1980-1985	5.0L, 5.8L	STD	65/45	1G	7078	17078	27078	150/90	FDUPG
1980-1985	Opt HD w/Ext Reg	OPT	100/75	1G LG					

Crown Victoria Police Interceptor

2003-2004	4.6L								
1999-2002	4.6L								
2003-2006	Natural Gas								
1996-2002	Natural Gas								
1996-1998	4.6L								
1996-1998	Natural Gas								
1992	4.6L								
1983-1991	5.0L, 5.8L w/Ext Reg								

Fairlane / Falcon

1963-1970	All	STD	75/55	1G	7078	17078	27078	100/75	FDUPG
-----------	-----	-----	-------	----	------	-------	-------	--------	-------

Focus

2005-2006	2.0L, 2.3L								
2000-2004	2.0L, OHC								
2000-2004	2.0L Zetec DOHC								

Mustang

2005-2010	4.6L w/clutch pulley	STD	140/100	6G	8516	18516	28516		
2005-2008	4.0L V6	STD	140/100	6G	8253		28253		
2001-2004	3.8L 3.9L w/o SC	STD	120/85	6G	8266			155/95	6G
1999-2004	4.6L w/SOHC exc Bullit GT	STD	120/85	6G	8252	18252	28252	155/95	6G
1996-2003	4.6L w/DOHC & Bullit GT	STD	140/100	4G	7781	17781	27781		
1996-1998	4.6L w/SOHC	STD	140/100	3G	7764	17764	27764		
1994-2000	3.8L	STD	140/100	4G	7771	17771	27771		
1994-1995	3.8L, 5.0L	STD	140/100	4G	7771	17771	27771		



Alternator Application Guide

Chrome	Natural	Black	Polished	Plug Req.	Amps	Family	Chrome	Natural	Black	Polished	Plug Req.
--------	---------	-------	----------	-----------	------	--------	--------	---------	-------	----------	-----------

					200/130	6G	37795	47795	57795	67795	
					200/130	4G	37781	47781	57781	67781	
					200/130	3G	37764	47764	57764	67764	
					200/130	3G	37764	47764	57764	67764	
8-37140	8-47140	8-57140	8-67140		200/130	3G	37759	47759	57759	67759	
					215/125	1G LG		47704	57704		
8-37140	8-47140	8-57140	8-67140		200/130	3G	37759	47759	57759	67759	
					215/125	1G LG		47704	57704		

					200/130	6G		48315	58315		
					200/130	6G	37795	47795	57795	67795	
					200/130	6G		48315	58315		
					200/130	4G	37781	47781	57781	67781	
					200/130	3G	37764	47764	57764	67764	
					200/130	4G	37781	47781	57781	67781	
					200/130	3G	37764	47764	57764	67764	
					215/125	1G LG		47704	57704		

8-37101	8-47101	8-57101	8-67101		140/90	FDUPG	8-37141	8-47141	8-57141	8-67141	
---------	---------	---------	---------	--	--------	-------	---------	---------	---------	---------	--

					200/130	6G		48253	58253		
					200/130	6G		48253	58253		
					155/95	6G		48260	58260		

					200/130	6G	38516	48516	58516	68516	
					200/130	6G		48253	58253	68253	
	48266	58266									
38252	48252	58252	68252		200/130	6G	37795	47795	57795	67795	
					200/130	4G	37781	47781	57781	67781	
					200/130	4G	37771	47771	57771	67771	
					200/130	4G	37771	47771	57771	67771	

CARS



Alternator Application Guide

	Engine Size	Equip	PM Amps	Family	OE / Look	Chrome	Polished	Amps	Family
1987-1993	All	STD	85/60	2G	7735	17735	27735	150/90	FDUPG
1987-1993	All 3G One Wire	OPT	140/100	4G	77711	177711	277711		
1982-1986	All	STD	65/45	1G	7078	17078	27078		
	V-Belt Pulley	UPG						150/90	FDUPG
	Serpentine Pulley	UPG						150/90	FDUPG
1965-1981	All	STD	75/55	1G	7078	17078	27078	150/90	FDUPG

Shelby Cobra

	All BB FE Engines	STD	75/55	1G	7078	17078	27078	120/85	3G
--	-------------------	-----	-------	----	------	-------	-------	--------	----

Thunderbird

1996-1997	3.8L	STD	140/100	4G	7771	17771	27771		
1996-1997	4.6L	STD	140/100	3G	7764				
1994-1995	3.8L All	STD	140/100	4G	7771	17771	27771		
1994-1995	4.6L	STD	140/100	3G	7764				
1987-1993	All Straight mtg Exc SC	STD	85/60	2G	7735	17735	27735	150/90	FDUPG
1983-1986	All Straight mtg w/Int Reg	STD	85/60	2G	7735	17735	27735	150/90	FDUPG
1983-1985	5.0L	STD	75/55	1G	7078	17078	27078	150/90	FDUPG
1965-1982	All Strght mtg w/Ext Reg	STD	75/55	1G	7078	17078	27078	150/90	FDUPG

Torino

1968-1976	All	STD	75/55	1G	7078	17078	27078	150/90	FDUPG
-----------	-----	-----	-------	----	------	-------	-------	--------	-------

Honda

Accord

1998-2002	3.0L	STD	120/90	CS130D	8220			150/105	CS130D
-----------	------	-----	--------	--------	------	--	--	---------	--------

Lincoln

Town Car

2006-2011	All	STD	140/100	6G	8315				
2003-2005	Exc Limo	STD	140/100	4G	8313				
2004-2005	Limo	STD	140/100	6G	8315				
1999-2002	Exc Limo	STD	140/100	4G	7781				
1999-2003	Limo	STD	140/100	6G	7795				
1998	All	STD	140/100	6G	7795				
1991-1997	All	STD	140/100	3G	7764				
1986-1990	Exp Below	STD	85/60	2G	7735	17735	27735	140/90	FDUPG
1990	Opt 85 Amp	STD	120/85	3G	7749			140/100	3G
1983-1989	Opt 100 Amp Lg Case	STD	100/75	1G LG					
1981-1985	All	STD	75/55	1G	7078	17078	27078	150/90	FDUPG

Mercury

Cougar

1999-2002	2.0L	STD	120/85	6G	8250			155/95	6G
1999-2000	2.5L	STD	140/100	3G	7775				
1994-1997	3.8L	STD	140/100	4G	7771	17771	27771		
1994-1997	4.6L	STD	140/100	3G	7764				



Alternator Application Guide

Chrome	Natural	Black	Polished	Plug Req.	Amps	Family	Chrome	Natural	Black	Polished	Plug Req.
8-37140	8-47140	8-57140	8-67140		200/130	3G	37759	47759	57759	67759	
					200/130	4G	37711	477711	577711	677711	
8-37141	8-47141	8-57141	8-67141		200/130	3G	37759	47759	57759	67759	
8-37140	8-47140	8-57140	8-67140		200/130	3G	37759	47759	57759	67759	
8-37141	8-47141	8-57141	8-67141		200/130	3G	37759	47759	57759	67759	

177491	77491		277491		155/95	3G	377491	477491	577491	677491	
--------	-------	--	--------	--	--------	----	--------	--------	--------	--------	--

					200/130	4G	37771	47771	57771	67771	
					200/130	3G	37764	47764	57764	67764	
					200/130	4G	37771	47771	57771	67771	
					200/130	3G	37764	47764	57764	67764	
8-37140	8-47140	8-57140	8-67140		200/130	3G	37759	47759	57759	67759	
8-37140	8-47140	8-57140	8-67140		200/130	3G	37759	47759	57759	67759	
8-37140	8-47140	8-57140	8-67140		200/130	3G	37759	47759	57759	67759	
8-37140	8-47140	8-57140	8-67140		200/130	3G	37759	47759	57759	67759	

8-37140	8-47141	8-57141	8-67141		200/130	3G	37759	47759	57759	67759	
	994001	995001									

					200/130	6G		48315	58315		
					200/130	4G		48313	58313		
					200/130	6G		48315	58315		
					200/130	4G	37781	47781	57781	67781	
					200/130	6G	37795	47795	57795	67795	
					200/130	6G	37795	47795	57795	67795	
					200/130	3G	37764	47764	57764	67764	
8-37140	8-47140	8-57140	8-67140		200/130	3G	37759	47759	57759	67759	
	47758	57758			200/130	3G		47760	57760		
					215/125	1G LG		47704	57704		
8-37140	8-47140	8-57140	8-67140		200/130	3G	37759	47759	57759	67759	

	48250	58250									
					200/130	3G		47775	57775		
					200/130	4G	37771	47771	57771	67771	
					200/130	3G	37764	47764	57764	67764	

CARS



Alternator Application Guide

	Engine Size	Equip	PM Amps	Family	OE / Look	Chrome	Polished	Amps	Family
1986-1993	5.0L	STD	85/60	2G	7735	17735	27735	150/90	FDUPG
1967-1985	All exc. 3.8L	STD	75/55	1G	7078	17078	27078	150/90	FDUPG

Oldsmobile

Cutlass, Cutlass Supreme

1983-1987	All Exc Below	STD	100/70	12SI	7294	17294	27294	150/90	12SI
1983-1987	w/AC Opt Lg Case	OPT	120/95	17SI	7288	17290	27290		
1972-1982	All Exc Below	STD	85/55	10SI	7127	17127	27127	100/70	12SI
1981-1982	w/AC Opt Lg Case	OPT	120/95	17SI	7288	17290	27290		
1963-1971	All	STD	70/45	10DN	7102	17102	27102	100/70	12SI

Plymouth (see Chrysler)

Pontiac

Bonneville

1988-1990	3.8L	STD	105/80	CS130	7914	17914	27914	140/90	CS130
1987	3.8L	STD	170/125	CS144	7864	17864	27864		
1895-1986	3.8L wo/AC, 5.0L	STD	100/70	12SI	7294	17294	27294	150/90	12SI
	3.8L w/AC	STD	120/95	17SI	7288	17290	27290		
1983-1984	All	STD	100/70	12SI	7294	17294	27294	150/90	12SI
	Opt HD	OPT	120/95	17SI	7288	17290	27290		
1980-1982	All Exp Opt HD	STD	85/55	10SI	7127	17127	27127	100/70	12SI
	Opt HD	OPT	120/95	17SI	7288	17290	27290		
1971-1979	All	STD	85/55	10SI	7127	17127	27127	100/70	12SI
1962-1970	All	STD	70/45	10DN	7102	17102	27102	100/70	12SI

Firebird / Trans Am

1998-2002	5.7L	STD	120/90	CS130D	8242	18242	28242	165/95	CS130D
1995-2002	3.8L	STD	120/90	CS130D	8272	18272	28272	165/95	CS130D
1993-1995	3.4L (207)	STD	105/85	CS130	8114	18114	28114	140/95	CS130
1993-1997	5.7L (350)	STD	170/125	CS144	7864	17864	27864		
1988-1992	2.8L, 3.1L	STD	105/85	CS130	7860	17860	27860	140/95	CS130
	3.8L TURBO	STD	170/125	CS144	7864	17864	27864		
	5.0L, 5.7L	STD	105/85	CS130	7861	17861	27861	140/95	CS130
1987	2.8L	STD	105/85	CS130	7860	17860	27860	140/95	CS130
	5.0L, 5.7L	STD	105/85	CS130	7802	17802	27802	140/95	CS130
1986	2.5L	STD	105/85	CS130	7802	17802	27802	140/95	CS130
	2.8L	STD	100/70	12SI	7294	17294	27294	150/90	12SI
	2.8L w/AC, 5.0L (305F)	STD	120/95	17SI	7288	17290	27290		
	5.0L(305G, H)	STD	100/70	12SI	7294	17294	27294	150/90	12SI
1983-1985	All exc. Below	STD	100/70	12SI	7294	17294	27294	150/90	12SI
	2.8L w/AC, 5.0L(305F, S)	STD	120/95	17SI	7288	17290	27290		
1970-1982	All	STD	85/55	10SI	7127	17127	27127	100/70	12SI
1967-1969	All	STD	70/45	10DN	7102	17102	27102	100/70	12SI



Alternator Application Guide

Chrome	Natural	Black	Polished	Plug Req.	Amps	Family	Chrome	Natural	Black	Polished	Plug Req.
8-37140	8-47140	8-57140	8-67140		200/130	3G	37759	47759	57759	67759	
8-37141	8-47141	8-57141	8-67141		200/130	3G	37759	47759	57759	67759	

37293	47294	57294	67293								
					200/125	CS144	37806	47806	57806	67806	140
17294	7294		27294		150/90	12SI	37293	47294	57294	67293	
					200/125	CS144	37806	47806	57806	67806	140
17294	7294		27294	150*	150/90	12SI	37293	47294	57294	67293	150*

37914	47914	57914	67914		200/125	CS144	37805	47805	57805	67805	
					200/125	CS144	37864	47864	57864	67864	
37924	47294	57294	67293								
					200/125	CS144	37806	47806	57806	67806	140
37924	47294	57294	67293								
					200/125	CS144	37806	47806	57806	67806	140
17294	7294		27294		150/90	12SI	37293	47294	57294	67293	
					200/125	CS144	37806	47806	57806	67806	140
17294	7294		27294		150/90	12SI	37293	47294	57294	67293	
17294	7294		27294	150*	150/90	12SI	37293	47294	57294	67293	150*

38242	48242	58242	68242		200/135	AD244	38237	48237	58237	68237	
38272	48272	58272	68272								
38114	48114	58114	68114								
					200/125	CS144	37864	47864	57864	67864	
37860	47860	57860	67860		200/125	CS144	38203	48203	58203	68203	
					200/125	CS144	37864	47864	57864	67864	
37861	47861	57861	67861		200/125	CS144	38203	48203	58203	68203	
37860	47860	57860	67860		200/125	CS144	38203	48203	58203	68203	
37802	47802	57802	67802								
37802	47802	57802	67802								
37293	47294	57294	67293								
					200/125	CS144	37806	47806	57806	67806	140
37293	47294	57294	67293								
37293	47294	57294	67293								
					200/125	CS144	37806	47806	57806	67806	140
17294	7294		27294		150/90	12SI	37293	47294	57294	67293	
17294	7294		27294	150*	150/90	12SI	37293	47294	57294	67293	150*

CARS



Alternator Application Guide

	Engine Size	Equip	PM Amps	Family	OE / Look	Chrome	Polished	Amps	Family
--	-------------	-------	---------	--------	-----------	--------	----------	------	--------

Grand Am

1980-1985	All Exp Opt HD	STD	100/70	12SI	7294	17294	27294	150/90	12SI
	Opt HD	OPT	120/95	17SI	7288	17290	27290		
1973-1979	All	STD	85/55	10SI	7127	17127	27127	100/70	12SI

Grand Prix

1999-2003	All	STD	120/90	CS130D				165/95	CS130D
1997-1998	3.8L Only	STD	120/90	CS130D		18272	28272	165/95	CS130D
1992-1993	All	STD	105/85	CS130					
1988-1991	2.3L,3.4L	STD	105/85	CS130	7860	17860	27860	140/95	CS130
	2.8L,3.1L	STD	105/85	CS130				140/80	
1983-1987	All Exp Opt HD	STD	100/70	12SI	7294	17294	27294	150/90	12SI
	Opt HD	OPT	120/95	17SI	7288	17290	27290		
1980-1982	All Exp Opt HD	STD	85/55	10SI	7127	17127	27127	100/70	12SI
	Opt HD	OPT	120/95	17SI	7288	17290	27290		
1971-1979	All	STD	70/50	10SI	7127	17127	27127	100/70	12SI
1962-1970	All	STD	70/45	10DN	7102	17102	27102	100/70	12SI

GTO

1965-1971	All	STD	70/45	10DN	7102	17102	27102	100/70	12SI
-----------	-----	-----	-------	------	------	-------	-------	--------	------

Saturn

SC, SL, SW Series

1991-1997.5		STD	105/85	CS130	8107	18107		140/95	CS130
-------------	--	-----	--------	-------	------	-------	--	--------	-------



Alternator Application Guide

Chrome	Natural	Black	Polished	Plug Req.	Amps	Family	Chrome	Natural	Black	Polished	Plug Req.
--------	---------	-------	----------	-----------	------	--------	--------	---------	-------	----------	-----------

37293	47294	57294	67293								
					200/125	CS144	37806	47806	57806	67806	140
17294	7294		27294		150/90	12SI	37293	47294	57294	67293	

	48243	58243									
38272	48272	58272	68272								
					200/125	CS144	38203	48203	58203		
37860	47860	57860									
					200/125	CS144	38203	48203	58203		
37293	47294	57294	67293								
					200/125	CS144	37806	47806	57806	67806	140
17294	7294		27294		150/90	12SI	37293	47294	57294	67293	
					200/125	CS144	37806	47806	57806	67806	140
17294	7294		27294		150/90	12SI	37293	47294	57294	67293	
17294	7294		27294	150*	150/90	12SI	37293	47294	57294	67293	150*

17294	7294		27294	150*	150/90	12SI	37293	47294	57294	67293	150*
-------	------	--	-------	------	--------	------	-------	-------	-------	-------	------

	48107	58107									
--	-------	-------	--	--	--	--	--	--	--	--	--



Alternator Application Guide

	Engine Size	Equip	PM Amps	Family	OE/ Look	Chrome	Polished	Amps	Family
Cadillac									

Cadillac Escalade

2005-2011	All Eng (2-PIN REG)	STD	165/125	AD244	8302	18302	28302	215/140	AD244
1999-2005	All (4-PIN REG)	STD	165/125	AD244	8237	18237	28237	215/140	AD244
2003-2005	All Eng small case alt	STD	120/90	AD230	8247	18247	28247	165/95	AD230
1999-2000	Internal Fan	STD	120/90	CS130D	8206	18206	28206	165/95	CS130D
1999-2000	External Fan	STD	145/95	CS144	8203				

Chevrolet

Astro & Safari Mini Van

2001-2005	4.3L(262)	STD	120/90	AD230	8247	18247	28247	165/95	AD230
2000	4.3L(262)	STD	120/90	CS130D	8231	18231	28231	165/95	CS130D

Avalanche

2005-2010	All Eng (2-PIN REG)	STD	165/125	AD244	8302	18302	28302	215/140	AD244
2005-2006	All Eng (4-PIN REG)	STD	165/125	AD244	8237	18237	28237	215/140	AD244
	260A Lg Case 4-pin reg	H/O							
2002-2004	All Std Equip	STD	120/90	AD230	8247	18247	28247	165/95	AD230
	260A Lg Case 4-pin reg	H/O							
2002-2004	All Opt Equip	OPT	165/125	AD244	8237	18237	28237	215/140	AD244

Blazer

2001-2005	4.3L	STD	120/90	CS130D	8283	18283	28283	165/95	CS130D
1998-2000	4.3L	STD	120/90	CS130D	8231	18231	28231	165/95	CS130D
1996-1997	4.3L(262)	STD	120/90	CS130D	8206	18206	28206	165/95	CS130D
1994-1995	4.3L(262) Internal Fan	STD							
1988-1993	4.3L External Fan	STD	105/85	CS130	7861	17861	27861	140/95	CS130
1989-1994	5.7L, 6.5L	STD	105/85	CS130	7861	17861	27861	140/95	CS130
	OPT Lg Case	OPT	170/125	CS144	7864	17864	27864		
	6.2L (Diesel)	STD	100/70	12SI	7294	17294	27294	150/90	12SI
	6.2L ('91 only)	STD	105/85	CS130	7802	17802	27802	140/95	CS130
1987-1988	2.5L, 2.8L	STD	105/85	CS130	7860	17860	27860	140/95	CS130
1985-1988	5.0L 5.7L w/ 12SI Alt	STD	100/70	12SI	7294	17294	27294	150/90	12SI
	Opt HD w/ CS130 Alt	OPT	105/85	CS130	7802	17802	27802	140/95	CS130
1985-1989	6.2L (Diesel)	STD	100/70	12SI	7294	17294	27294	150/90	12SI
1985-1986	6.2L Opt HD Alt	OPT	120/95	17SI	7290	17290	27290		
	Opt HD	OPT	105/85	CS130	7861	17861	27861	140/95	CS130
1983-1986	All exc. below	STD	100/70	12SI	7294	17294	27294	150/90	12SI
	Opt HD	OPT	120/95	17SI	7288	17290	27290		
1973-1982	All (except Opt HD Opt)	STD	85/55	10SI	7127	17127	27127	100/70	12SI
1969-1972	All w/ Ext Reg 10DN Case	STD	70/45	10DN	7102	17102	27102	100/70	12SI

Colorado

2009-2011	5.3L	STD	165/125	AD244	8302	18302	28302	215/140	AD244
2004-2006	2.8, 3.5L	STD	165/125	AD244	8290				



Alternator Application Guide

Chrome	Natural	Black	Polished	Plug Req.	Amps	Family	Chrome	Natural	Black	Polished	Plug Req.
--------	---------	-------	----------	-----------	------	--------	--------	---------	-------	----------	-----------

38302	48302	58302	68302								
38237	48237	58237	68237								
38247	48247	58247	68247		215/140	AD244	38237	48237	58237	68237	
38206	48206	58206	68206		215/140	AD244	38237	48237	58237	68237	
					200/125	CS144	38203	48203	58203		

38247	48247	58247	68247		215/140	AD244	38237	48237	58237	68237	
38231	48231	58231	68231		215/140	AD244	38237	48237	58237	68237	

38302	48302	58302	68302								
38237	48237	58237	68237								
38247	48247	58247	68247		215/140	AD244	38237	48237	58237	68237	
38237	48237	58237	68237								

37283	48283	57283	67283		215/140	AD244	38237	48237	58237	68237	
38231	48231	58231	68231		215/140	AD244	38237	48237	58237	68237	
38206	48206	58206	68206		215/140	AD244	38237	48237	58237	68237	
					215/140	AD244	38237	48237	58237	68237	
37861	47861	57861	67861		200/125	CS144	38203	48203	58203	68203	
37861	47861	57861	67861		200/125	CS144	38203	48203	58203	68203	
					200/125	CS144	37864	47864	57864	67864	67864
37293	47294	57294	67293								
37802	47802	57802	67802								
37860	47860	57860	67860								
37293	47294	57294	67293								
37802	47802	57802	67802								
37293	47294	57294	67293								
					200/125	CS144	37806	47806	57806	67806	140
37861	47861	57861	67861		200/125	CS144	38203	48203	58203	68203	140
37293	47294	57294	67293								
					200/125	CS144	37806	47806	57806	67806	140
17294	7294		27294		150/90	12SI	37293	47294	57294	67293	
17294			27294	150*	150/90	12SI	37293	47294	57294	67293	150*

38302	48302	58302	68302								
					215/140	AD244		48290	58290		

TRUCKS



Alternator Application Guide

	Engine Size	Equip	PM Amps	Family	OE/ Look	Chrome	Polished	Amps	Family
--	-------------	-------	---------	--------	----------	--------	----------	------	--------

C, K Series (Silverado, Suburban, Tahoe)

2005-2010	All (2-PIN REG)	STD	165/125	AD244	8302	18302	28302	215/140	AD244
1996-2005	(4-PIN REG)	STD	165/125	AD244	8237	18237	28237	215/140	AD244
2000-2004	All	STD	120/90	AD230	8247	18247	28247	165/95	AD230
1996-2002	All CS130D	STD	120/90	CS130D	8206	18206	28206	165/95	CS130D
1994-1995	All exc. 6.5L	STD	105/85	CS130	7861	17861	27861	140/95	CS130
	('95 only)	STD	170/125	CS144	7864	17864	27864		
1994-1995	6.5L(Diesel)	STD	105/85	CS130	7861	17861	27861	140/95	CS130
1991-1993	4.3L, 5.0L, 5.7L	STD	105/85	CS130	7861	17861	27861	140/95	CS130
	OPT ('93 only)	OPT	170/125	CS144	7864	17864	27864		
1991-1993	6.2L, 6.5L(Diesel)	STD	105/85	CS130	7861	17861	27861	140/95	CS130
1991-1993	7.4L(454)	STD	105/85	CS130	7802	17802	27802	140/95	CS130
	Opt HD	OPT	170/125	CS144	7864	17864	27864		
1988-1990	All exc. 7.4L	STD	105/85	CS130	7861	17861	27861	140/95	CS130
1988-1990	7.4L	STD	105/85	CS130	7802	17802	27802	140/95	CS130
1987	5.0L, 5.7L	STD	100/70	12SI	7294	17294	27294	150/90	12SI
	Opt HD w/ CS130 Alt	OPT	105/85	CS130	7802	17802	27802	140/95	CS130
	6.2L(Diesel)	STD	100/70	12SI	7294	17294	27294	150/90	12SI
	Opt HD CS130	OPT	105/85	CS130	7861	17861	27861	140/95	CS130
1983-1986	All exc. Below	STD	100/70	12SI	7294	17294	27294	150/90	12SI
1983-1986	Opt HD	OPT	120/95	17SI	7288	17290	27290		
1973-1982	All w/ Int Reg(exc Opt HD Opt)	STD	85/55	10SI	7127	17127	27127	100/70	12SI
1963-1972	All w/ Ext Reg 10DN Case	STD	70/45	10DN	7102	17102	27102	100/70	12SI

Express, G1500, G2500, G3500

2009-2011	All (2-PIN REG)	STD	165/125	AD244	8302	18302	28302	215/140	AD244
2001-2009	(4-PIN REG)	STD	165/125	AD244	8237	18237	28237	215/140	AD244
1996-2000	All Internal Fan	STD	105/80	CS130D	8206	18206	28206	165/95	CS130D
1996-2000	All External Fan	STD	170/125	CS144	8203				

G Series - Full Size Van

1991-1996	All Ext Fan exc 6.2 Dsl	STD	105/85	CS130	7861	17861	27861	140/95	CS130
1991-1993	6.2L (Diesel)	STD	105/85	CS130	7802	17802	27802	140/95	CS130
1987-1990	4.3, 5.0, 5.7L	STD	105/85	CS130	7861	17861	27861	140/95	CS130
1987-1990	6.2L (Diesel)	STD	100/70	12SI	7294	17294	27294	150/90	12SI
1987-1990	7.4L(454)	STD	105/85	CS130	7802	17802	27802	140/95	CS130
1985-1986	4.3L, 5.0L, 5.7L, 6.2 Dsl	STD	100/70	12SI	7294	17294	27294	150/90	12SI
1985-1986	Opt HD	OPT	120/95	17SI	7288	17290	27290		
1981-1984	All (except Opt HD Opt)	STD	100/70	12SI	7294	17294	27294	150/90	12SI
1981-1984	Opt HD	OPT	120/95	17SI	7288	17290	27290		
1973-1980	All (except Opt HD)	STD	85/55	10SI	7127	17127	27127	100/70	12SI
1963-1972	All	STD	70/45	10DN	7102	17102	27102	100/70	12SI

R, V Old Body Style

1990-1991	5.7L RV1, 2	STD	105/85	CS130	7861	17861	27861	140/95	CS130
-----------	-------------	-----	--------	-------	------	-------	-------	--------	-------



Alternator Application Guide

Chrome	Natural	Black	Polished	Plug Req.	Amps	Family	Chrome	Natural	Black	Polished	Plug Req.
--------	---------	-------	----------	-----------	------	--------	--------	---------	-------	----------	-----------

38302	48302	58302	68302								
38237	48237	58237	68237								
38247	48247	58247	68247								
38206	48206	58206	68206		215/140	AD244	38237	48237	58237	68237	
37861	47861	57861	67861		200/125	CS144	38203	48203	58203	68203	
					200/125	CS144	37864	47864	57864	67864	
37861	47861	57861	67861		200/125	CS144	38203	48203	58203	68203	
37861	47861	57861	67861		200/125	CS144	38203	48203	58203	68203	
					200/125	CS144	37864	47864	57864	67864	
37861	47861	57861	67861		200/125	CS144	38203	48203	58203	68203	
37802	47802	57802	67802								
					200/125	CS144	37864	47864	57864	67864	
37861	47861	57861	67861		200/125	CS144	38203	48203	58203	68203	
37802	47802	57802	67802								
37293	47294	57294	67293								
37802	47802	57802	67802								
37293	47294	57294	67293								
37861	47861	57861	67861		200/125	CS144	38203	48203	58203	68203	
37293	47294	57294	67293								
					200/125	CS144	37806	47806	57806	67806	140
17294	7294		27294		150/90	12SI	37293	47294	57294	67293	
17294	7294		27294	150*	150/90	12SI	37293	47294	57294	67293	150*

38302	48302	58302	68302								
38237	48237	58237	68237								
38206	48206	58206	68206		200/135	AD244	38237	48237	58237	68237	
					200/125	CS144	38203	48203	58203		

37861	47861	57861	67861		200/125	CS144	38203	48203	58203	68203	
37802	47802	57802	67802								
37861	47861	57861	67861		200/125	CS144	38203	48203	58203	68203	
37293	47294	57294	67293								
37802	47802	57802	67802								
37293	47294	57294	67293								
					200/125	CS144	37806	47806	57806	67806	140
37293	47294	57294	67293								
					200/125	CS144	37806	47806	57806	67806	140
17294	7294		27294		150/90	12SI	37293	47294	57294	67293	
17294	7294		27294	150*	150/90	12SI	37293	47294	57294	67293	150*

37861	47861	57861	67861		200/125	CS144	38203	48203	58203	68203	
-------	-------	-------	-------	--	---------	-------	-------	-------	-------	-------	--

TRUCKS



Alternator Application Guide

	Engine Size	Equip	PM Amps	Family	OE/ Look	Chrome	Polished	Amps	Family
1990-1991	RV3, 6.2L	STD	105/85	CS130	7802	17802	27802	140/95	CS130
1990-1991	7.4L, RV1, 2	STD	105/85	CS130	7802	17802	27802	140/95	CS130
1990-1991	RV3	STD	105/85	CS130	7802	17802	27802	140/95	CS130
1990-1991	Opt HD	OPT	170/125	CS144	7864	17864	27864		
1990 Only	6.2L & 7.4L RV3	STD	100/70	12SI	7294	17294	27294	150/90	12SI
1987-1989	All	STD	100/70	12SI	7294	17294	27294	150/90	12SI

SSR

2003-2006	4.3L(262)	STD	165/125	AD244	8237	18237	28237	215/140	AD244
-----------	-----------	-----	---------	-------	------	-------	-------	---------	-------

S, T Series Mini Pickup

1998-2003	2.2L	STD	120/90	CS130D	8233	18233	28233	165/95	CS130D
2001-2004	4.3L(262)	STD	120/90	CS130D	8283	18283	28283	165/95	CS130D
1998-2000	4.3L(262)	STD	120/90	CS130D	8231	18231	28231	165/95	CS130D
1996-1997	4.3L(262)	STD	120/90	CS130D	8206	18206	28206	165/95	CS130D
	260A Lg Case 4-pin reg	H/O							
1987-1993	2.5L(151), 2.8L (173)	STD	105/85	CS130	7860	17860	27860	140/95	CS130
1987-1993	4.3L(262)	STD	105/85	CS130	7861	17861	27861	140/95	CS130
1986	2.5L(151) Early	STD	100/70	12SI	7294	17294	27294	150/90	12SI
	2.5L(151)Late, 2.8L (173)	STD	105/85	CS130	7802	17802	27802	140/95	CS130
1982-1985	All	STD	100/70	12SI	7294	17294	27294	150/90	12SI

Trailblazer

2007-2009	5.3, 6.0L 2-Pin Plug	STD	165/125	AD244	8302	18302	28302	215/140	AD244
2002-2006	4.2L	STD	165/125	AD244	8290			215/140	AD244
2003-2006	5.3L, 6.0L	STD	165/125	AD244	8237	18237	28237	215/140	AD244

Dodge Gas Engines

Dakota/Durango/Ramcharger/Ram Pickup - Van

2007-2012	5.7L	11299	160A		TBA				
2003-2006	5.7L	13988	160A		TBA				
2004-2006		11039	130A		TBA				
2001-2003	5.9L 8 CYL	13915	160A		TBA				
2001-2006	3.7, 4.7L	13912	136A		TBA				
1999-2001	3.7, 4.7, 5.2, 5.9, 8.0L	13824	136A		TBA				
1988-1998	All	UPGR	170/110						UPGR
1971-1987	DbL. Pulley	STD	90/60		7509	17509			
	DbL. Pulley 1-wire				75091	175091			
1971-1987	Sgl. Pulley	STD	90/60		7519	17519			
	Sgl. Pulley 1-wire				75191	175191			

Dodge Diesel Engines

2007-2011	6.7L	11378	145A		TBA				
2006-2009	5.9l	11235	145A		TBA				
2003-2005	5.9L	13987	136A		TBA				
2001-2002	5.9L SIDE BAT POST	13874	136A		TBA				
1999-2000	5.9L REAR BAT POST	13766	136A		TBA				



Alternator Application Guide

Chrome	Natural	Black	Polished	Plug Req.	Amps	Family	Chrome	Natural	Black	Polished	Plug Req.
37802	47802	57802	67802								
37802	47802	57802	67802								
37802	47802	57802	67802								
					200/125	CS144	37864	47864	57864	67864	
37293	47294	57294	67293								
37293	47294	57294	67293								

38237	48237	58237	68237								
-------	-------	-------	-------	--	--	--	--	--	--	--	--

38233	48233	58233	68233								
38283	48283	58283	68283		215/140	AD244	38237	48237	58237	68237	
38231	48231	58231	68231		215/140	AD244	38237	48237	58237	68237	
38206	48206	58206	68206		215/140	AD244	38237	48237	58237	68237	
37860	47860	57860	67860		200/125	CS144	38203	48203	58203	68203	
37861	47861	57861	67861		200/125	CS144	38203	48203	58203	68203	
37293	47294	57294	67293								
37802	47802	57802	67802								
37293	47294	57294	67293								

38302	48302	58302	68302								
	48290	58290									
38237	48237	58237	68237								

170/100	43311	53311	63311								

TRUCKS



Alternator Application Guide

	Engine Size	Equip	PM Amps	Family	OE/ Look	Chrome	Polished	Amps	Family
1990-1998	5.9L	UPGR	170/110						UPGR

Ford

Aerostar Minivan

1995-1997	All	STD	140/100	3G	7768			140/100	3G
1992-1994	3.0L	STD	140/100	3G	7758			140/100	3G
	4.0L	STD	140/100	3G	7768			140/100	3G
1986-1991	3.0L	STD	85/60	2G	7735	17735	27735	150/90	FDUPG
	4.0L	STD	140/100	3G	7758			140/100	3G

Bronco

1993-1996	All	STD	140/100	3G	7768			140/100	3G
	5.0L, 5.8L	STD	85/60	2G	7735	17735	27735	150/90	FDUPG
1987-1989	All w/Ext Reg	STD	75/55	1G	7078	17078	27078	150/90	FDUPG
	Lg. Case Opt HD	OPT							
1987-1992	4.9L w/Ext Reg	STD	75/55	1G	7078	17078	27078	150/90	FDUPG
1987-1989	All V8 w/Int Reg	STD	85/60	2G	7735	17735	27735	150/90	FDUPG
1966-1986	All w/Ext Reg	STD	75/55	1G	7078	17078	27078	150/90	FDUPG
	Lg. case Opt HD	OPT	100/75	1G LG					

Bronco II

1984-1990	All w/Ext. Reg	STD	75/55	1G	7078	17078	27078	150/90	FDUPG
	w/Int. Reg & Straight Mnt	STD	85/60	2G	7735	17735	27735	150/90	FDUPG

E 150-350 Full Size Van (Gas Engine)

2004-2008	4.6L,5.4L,6.8Lw/Oval Plug	STD	140/100	6G	7795				
1997-2007	4.6L,5.4L,6.8Lw/D Shape Plg	STD	140/100	3G	7764				
1997-2003	4.2L	STD	120/85	3G	7768			140/100	3G
	5.0L, 5.8L	STD						140/100	3G
	All V8 Eng.	STD						140/100	3G
1990-1991	4.9L	STD	100/75	1G LG					
1987-1991	All V8 w/Ext Reg, Lg Case	STD	100/75	1G LG					
	w/Int. Reg	STD	85/60	2G	7735	17735	27735	150/90	FDUPG
1986-1989	All w/Ext Reg	STD	75/55	1G	7078	17078	27078	150/90	FDUPG
	Opt HD External Reg	STD	100/75	1G LG					
	All w/Int. Reg	STD	85/60	2G	7735	17735	27735	150/90	FDUPG
1973-1985	All w/Ext Reg	STD	75/55	1G	7078	17078	27078	150/90	FDUPG
	Opt HD External Reg	STD	100/75	1G LG					

E 150-350 Full Size Van (Diesel Engine)

2004-2010	6.0L	STD	140/100	6G	8307				
1998-2003	7.3L w/Dual Alt Top	STD						155/95	6G
1995-2003	7.3L w/o Dual Alt	STD	140/100	3G	7767				
1992-1994	7.3L	STD	140/100	3G	7768			140/100	3G
1988-1991	7.3L w/Ext Reg, Lg Case	STD	100/75	1G LG					
1988-1989	7.3L w/Int Reg	STD	85/60	2G	7735	17735	27735	150/90	FDUPG



Alternator Application Guide

Chrome	Natural	Black	Polished	Plug Req.	Amps	Family	Chrome	Natural	Black	Polished	Plug Req.
170/100	43311	53311	63311								

	47750	57750			200/130	3G	37768	47768	57768		
	47758	57758			200/130	3G		47760	57760		
	47750	57750			200/130	3G	37768	47768	57768		
8-37140	8-47140	8-57140	8-67140		200/130	3G	37759	47759	57759	67759	
	47758	57758			200/130	3G		47760	57760		

	47750	57750			200/130	3G	37768	47768	57768		
8-37140	8-47140	8-57140	8-67140		200/130	3G	37759	47759	57759	67759	
8-37140	8-47140	8-57140	8-67140		200/130	3G	37759	47759	57759	67759	
					200/130	3G		47704	57704		
8-37140	8-47140	8-57140	8-67140		200/130	3G	37759	47759	57759	67759	
8-37140	8-47140	8-57140	8-67140		200/130	3G	37759	47759	57759	67759	
8-37141	8-47141	8-57141	8-67141		200/130	3G	37759	47759	57759	67759	
					215/125	1G LG		47704	57704		

8-37141	8-47141	8-57141	8-67141		200/130	3G	37759	47759	57759	67759	
8-37141	8-47141	8-57141	8-67141		200/130	3G	37759	47759	57759	67759	

					200/130	6G	37795	47795	57795	67795	
					200/130	3G	37763	47763	57763	67763	
	47750	57750			200/130	3G	37768	47768	57768		
	47750	57750			200/130	3G	37768	47768	57768		
	47758	57758			200/130	3G		47760	57760		
					215/125	1G LG		47704	57704		
					215/125	1G LG		47704	57704		
8-37140	8-47140	8-57140	8-67140		200/130	3G	37759	47759	57759	67759	
8-37140	8-47140	8-57140	8-67140		200/130	3G	37759	47759	57759	67759	
					215/125	1G LG		47704	57704		
8-37140	8-47140	8-57140	8-67140		200/130	3G	37759	47759	57759	67759	
8-37141	8-47141	8-57141	8-67141		200/130	3G	37759	47759	57759	67759	
					215/125	1G LG		47704	57704		

					200/130	6G		48307	58307		
37796	47796	57796	67796								
					200/130	3G		47767	57767		
	47750	57750			200/130	3G	37768	47768	57768		
					215/125	1G LG		47704	57704		
8-37141	8-47141	8-57141	8-67141		200/130	3G	37759	47759	57759		

TRUCKS



Alternator Application Guide

	Engine Size	Equip	PM Amps	Family	OE/ Look	Chrome	Polished	Amps	Family
--	-------------	-------	---------	--------	----------	--------	----------	------	--------

Escape

2001-2004	2.0L FR-SIG-A Reg	STD	120/85	6G	8260			155/95	6G
2001-2004	3.0L I-FR-A Reg	STD	120/85	6G	8254			155/95	6G

Excursion, Gas Engine

2002-2005	5.4L, 6.8L	STD	140/100	6G	7795				
2000-2001	5.4L, 6.8L	STD	140/100	3G	7764			140/100	3G

Excursion, Diesel Engine

2003-2005	6.0L Diesel w/Oval Alt. Top	STD	140/100	6G	8307				
2000-2005	7.3L Diesel	STD	120/85	6G	7796	17796	27796	155/95	6G

Expedition

2007-2008	5.4L	11431	150A	TBA					
2005-2006	All	STD	140/100	6G	8315				
2003-2004	All	STD	140/100	6G	8305				
1997-2002	All	STD	140/100	3G	7764			140/100	3G

Explorer

2009-2010	4.6L	11433	150A	TBA					
2006-2008	4.6L	STD	140/100	6G	8448				
2002--2005	4.6L	STD	140/100	4G	7781				
1997-2006	4.0L w/OHC	STD	140/100	4G	7787				
1997-2001	4.0L w/OHV	STD	140/100	3G	7768				
1996-2001	5.0L	STD	140/100	4G	7787				
1991-1995	All	STD	140/100	3G	7768			140/100	3G

F150 - F350 (Gas Engine)

2009-2010	4.6L BVS-RC-LI	11204	135A		TBA				
2009-2010	5.4L FR-SIG-A	11292	150A		TBA				
2009-2010	5.4L FR-SIG-A	STD	140/100	6G	8315				
2009	4.6L VIN 8, FR-SIG-A	11292	150A		TBA				
2004-2008	4.6L, 5.4L	STD	140/100	6G	8315				
1997-2004	4.2L	STD	140/100	3G				140/100	3G
2002-2004	6.8L	STD	140/100	6G	7795				
1997-2003	4.6L, 5.4L 8 grv pulley	STD	140/100	3G	7763				
1997-2003	4.6L, 5.4L 6 grv pulley	STD	140/100	3G	7753				
1999-2006	Lightning 5.4L	STD	140/100	4G	8251				
1995-1997	7.5L	STD	140/100	3G	7757			140/100	3G
1994-1996	4.9L (Opt Only)	OPT	140/100	3G	7761				
1993-1997	5.0L, 5.8L	STD	140/100	3G	7768			140/100	3G
1993-1994	7.5L(460)	STD	85/60	2G	7735	17735	27735	150/90	FDUPG
1990-1992	All V8 w/Int. Reg	STD	85/60	2G	7735	17735	27735	150/90	FDUPG
	OPT HD w/Ext. Reg.	OPT	100/75	1G LG					
1986-1989	All w/Int. Reg	STD	85/60	2G	7735	17735	27735	150/90	FDUPG
	w/Ext. Reg. STD Case	STD	75/55	1G	7078	17078	27078	150/90	FDUPG
	Opt w/Ext Reg, Lg Case	OPT	100/75	1G LG					
1982-1985	All exc. 3.8L	STD	75/55	1G	7078	17078	27078	150/90	FDUPG



Alternator Application Guide

Chrome	Natural	Black	Polished	Plug Req.	Amps	Family	Chrome	Natural	Black	Polished	Plug Req.
	48260	58260									
	48254	58254			200/130	6G		48259	58259		
					200/130	6G	37795	47795	57795	67795	
	47753	57753			200/130	3G	37764	47764	57764	67764	
					200/130	6G		48478	58478		
37796	47796	57796	67796		200/130	6G		48478	58478		
					200/130	6G		48315	58315		
					200/130	6G		48305	58305		
	47753	57753			200/130	3G	37764	47764	57764		
					200/130	6G		48448	58448		
					200/130	4G	37781	47781	57781	67781	
					200/130	4G		47787	57787		
					200/130	3G	37768	47768	57768		
					200/130	4G		47787	57787		
	47750	57750			200/130	3G	37768	47768	57768		
					200/130	6G		48315	58315		
					200/130	6G		48315	58315		
	47750	57750			200/130	3G	37768	47768	57768		
					200/130	6G	37795	47795	57795	67795	
					200/130	3G	37763	47763	57763		
					200/130	3G		47753	57753		
					200/130	4G	38251	48251	58251	68251	
	47758	57758			200/130	3G		47760	57760		
					200/130	3G		47761	57761		
	47750	57750			200/130	3G	37768	47768	57768		
8-37140	8-47140	8-57140	8-67140		200/130	3G	37759	47759	57759	67759	
8-37140	8-47140	8-57140	8-67140		200/130	3G	37759	47759	57759	67759	
					215/125	1G LG		47704	57704		
8-37140	8-47140	8-57140	8-67140		200/130	3G	37759	47759	57759	67759	
8-37140	8-47140	8-57140	8-67140		200/130	3G	37759	47759	57759	67759	
					215/125	1G LG		47704	57704		
8-37141	8-47141	8-57141	8-67141		200/130	3G	37759	47759	57759	67759	

TRUCKS



Alternator Application Guide

	Engine Size	Equip	PM Amps	Family	OE/ Look	Chrome	Polished	Amps	Family
	Opt w/Ext Reg, Lg Case	OPT	100/75	1G LG					
1965-1981	All	STD	75/55	1G	7078	17078	27078	150/90	FDUPG
	Opt w/Ext Reg, Lg Case	OPT	100/75	1G LG					

F150 - F350 (Diesel Engine)

2008-2010	6.4L BVS-RC-LI	11291	125/90		TBA				
1999-2003	7.3L Dsl w/Sgl Alt	STD	120/85	6G	7796	17796	27796	155/95	6G
1999-2003	7.3L Dsl w/Dual Alt Top	STD	120/85	6G	7796	17796	27796	155/95	6G
1996-1998	7.3L Dsl	STD	140/100	3G	7767			140/100	3G
1994-1995	7.3L w/Turbo	STD	140/100	3G	7767			140/100	3G
1992-1995	7.3L w/o Turbo	STD	140/100	3G	7768			140/100	3G
1990-1992	7.3L w/Int Reg	STD	140/100	3G	7768			140/100	3G
1988-1992	7.3L w/Ext Reg, Lg Case	STD	100/75	1G LG					
1988-1989	7.3L w/Int Reg	STD	85/60	2G	7735	17735	27735	150/90	FDUPG

Ranger Pickup

2007-2009	2.3L	STD	120/85	6G	8518			155/95	6G
2006-2008	3.0L	STD	140/100	3G	7768			140/100	3G
2001-2006	2.3L	STD	120/85	6G	8265			155/95	6G
1996-2006	3.0L, 4.0L	STD	140/100	3G	7768			140/100	3G
1992-2002	All exc. 2.9L	STD	140/100	3G	7768			140/100	3G
1986-1991	All w/Int. Reg, Straight Mtg	STD	85/60	2G	7735	17735	27735	150/90	FDUPG
1983-1986	All w/Ext Reg, Straight Mtg	STD	75/55	1G	7078	17078	27078	150/90	FDUPG

GMC

C, K Series: See Chevy C, K

Caballero: See Chevy El Camino

Envoy

2002-2006	4.2L	STD	165/125	AD244	8290				
2003-2006	5.3L, 6.0L	STD	145/100	AD244	8292	18237	28237	200/135	AD244

Jimmy

2001-2005	4.3L	STD	120/90	CS130D	8283	18283	28283	165/95	CS130D
1998-2000	4.3L	STD	120/90	CS130D	8231	18231	28231	165/95	CS130D
1996-1997	4.3L	STD	120/90	CS130D	8206	18206	28206	165/95	CS130D
1989-1993	4.3L	STD	105/85	CS130	7861	17861	27861	140/95	CS130
1987-1989	2.5, 2.8	STD	105/85	CS130	7860	17860	27860	140/95	CS130

Safari

2001-2004	4.3L	STD	145/100	AD244	8292	18237	28237	200/135	AD244
2000	4.3L	STD	120/90	CS130D	8231	18231	28231	165/95	CS130D
1996-1999	4.3L	STD	120/90	CS130D	8206	18206	28206	165/95	CS130D
1987-1983	4.3L	STD	105/85	CS130	7861	17861	27861	140/95	CS130
1986	4.3L	STD	105/85	CS130	7802	17802	27802	140/95	CS130
1985	4.3L	STD	100/70	12SI	7294	17294	27294	150/90	12SI

Savana

2001-2004	All	STD	145/100	AD244	8292	18237	28237	200/135	AD244
-----------	-----	-----	---------	-------	------	-------	-------	---------	-------



Alternator Application Guide

Chrome	Natural	Black	Polished	Plug Req.	Amps	Family	Chrome	Natural	Black	Polished	Plug Req.
					215/125	1G LG		47704	57704		
8-37141	8-47141	8-57141	8-67141		200/130	3G	37759	47759	57759	67759	
					215/125	1G LG		47704	57704		

37796	47796	57796	67796								
37796	47796	57796	67796		200/130	6G		48478	58478		
	47747	57747			200/130	3G		47767	57767		
	47747	57747			200/130	3G		47767	57767		
	47750	57750			200/130	3G	37768	47768	57768		
	47750	57750			200/130	3G	37768	47768	57768		
					215/125	1G LG		47704	57704		
8-37141	8-47141	8-57141	8-67141		200/130	3G	37759	47759	57759	67759	

	48518	58518									
	47750	57750			200/130	3G	37768	47768	57768		
	48265	58265									
	47750	57750			200/130	3G	37768	47768	57768		
	47750	57750			200/130	3G	37768	47768	57768		
8-37140	8-47140	8-57140	8-67140		200/130	3G	37759	47759	57759	67759	
8-37140	8-47140	8-57140	8-67140		200/130	3G	37759	47759	57759	67759	

					215/140	AD244		48290	58290		
38237	48237	58237	68237								

38283	48283	58283	68283		215/140	AD244	38237	48237	58237	68237	
38231	48231	58231	68231		215/140	AD244	38237	48237	58237	68237	
38206	48206	58206	68206		215/140	AD244	38237	48237	58237	68237	
37861	47861	57861	67861		200/125	CS144	38203	48203	58203	68203	
37860	47860	57860	67860								

38237	48237	58237	68237								
38231	48231	58231	68231		215/140	AD244	38237	48237	58237	68237	
38206	48206	58206	68206		215/140	AD244	38237	48237	58237	68237	
37861	47861	57861	67861		200/125	CS144	38203	48203	58203	68203	
37802	47802	57802	67802								
37293	47294	57294	67293								

38237	48237	58237	68237								
-------	-------	-------	-------	--	--	--	--	--	--	--	--

TRUCKS



Alternator Application Guide

	Engine Size	Equip	PM Amps	Family	OE/ Look	Chrome	Polished	Amps	Family
1996-1999	All	STD	120/90	CS130D	8206	18206	28206	165/95	CS130D

Sierra

2007-2011	All (2-Pin Reg)	STD	165/125	AD244	8302	18302	28302	215/140	AD244
1999-2007	All (4-Pin Reg)	STD	145/95	AD244	8292	18237	28237	200/135	AD244
1996-1999	All	STD	120/90	CS130D	8206	18206	28206	165/95	CS130D

Sonoma

2001-2004	4.3L	STD	105/80					165/95	CS130D
1998-2000	4.3L	STD	120/90	CS130D	8231	18231	28231	165/95	CS130D
1998-2003	2.2L	STD	120/90	CS130D	8233	18233	28233	165/95	CS130D

Yukon / Denali / Yukon XL

2005-2011	All (2-Pin Reg)	STD	165/125	AD244	8302	18302	28302	215/140	AD244
2000-2005	All (4-Pin Reg)	STD	145/95	AD244	8292	18237	28237	200/135	AD244
1996-1999	All	STD	120/90	CS130D	8206	18206	28206	165/95	CS130D

Hummer

H1

1996-2004	6.5L	STD	170/125	CS144	8203				
1994-1995	6.5L	STD	170/125	CS144	8163				
1995-1996	5.7L	STD	170/125	CS144	7806	17806	27806		
1992-1994	6.2L	STD	105/85	CS130	7861	17861	27861	140/95	CS130

H2

2003-2006	6.0L	STD	145/95	AD244	8292	18237	28237	200/135	AD244
-----------	------	-----	--------	-------	------	-------	-------	---------	-------

H3

2003-2006	6.0L	STD	165/125	AD244	8290			215/140	AD244
-----------	------	-----	---------	-------	------	--	--	---------	-------

International

Scout

1976-1980	Gas Eng Int Reg Delco	STD	85/55	10SI	7127	17127	27127	100/70	12SI
1969-1971	Gas Eng Ext Reg Delco	STD	70/45	10DN	7102	17102	27102	100/70	12SI

Isuzu

Ascender

2003-2006	4.2L	STD	165/125	AD244	8290			215/140	AD244
2003-2006	5.3L, 6.0L	STD	145/95	AD244	8292	18237	28237	200/135	AD244

Pickup

1991-1995	3.1L V-6	STD	105/85	CS130	7860	17860	27860	140/95	CS130
-----------	----------	-----	--------	-------	------	-------	-------	--------	-------

Hombre

1998-2000	2.2L	STD	120/90	CS130D	8233	18233	28233	165/95	CS130D
1998-2000	4.3L	STD	120/90	CS130D	8231	18231	28231	165/95	CS130D
1996-1997	2.2L	STD	120/90	CS130D	8206-5			165/95	CS130D

Rodeo

1991-1992	3.1L V-6	STD	105/85	CS130	7860	17860	27860	140/95	CS130
-----------	----------	-----	--------	-------	------	-------	-------	--------	-------

Trooper

1989-1991	2.8L V-6	STD	105/85	CS130	7860	17860	27860	140/95	CS130
-----------	----------	-----	--------	-------	------	-------	-------	--------	-------



Alternator Application Guide

Chrome	Natural	Black	Polished	Plug Req.	Amps	Family	Chrome	Natural	Black	Polished	Plug Req.
38206	48206	58206	68206		215/140	AD244	38237	48237	58237	68237	

38302	48302	58302	68302								
38237	48237	58237	68237								
38206	48206	58206	68206		215/140	AD244	38237	48237	58237	68237	

	48283	58283			215/140	AD244	38237	48237	58237	68237	
38231	48231	58231	68231		215/140	AD244	38237	48237	58237	68237	
38233	48233	58233	68233								

38302	48302	58302	68302								
38237	48237	58237	68237								
38206	48206	58206	68206		215/140	AD244	38237	48237	58237	68237	

					200/125	CS144	38203	48203	58203	68203	
					200/125	CS144	38163	48163	58163	68163	
					200/125	CS144	37806	47806	57806	67806	
37861	47861	57861	67861		200/125	CS144	38203	48203	58203	68203	

38237	48237	58237	68237								
-------	-------	-------	-------	--	--	--	--	--	--	--	--

	48290	58290									
--	-------	-------	--	--	--	--	--	--	--	--	--

17294	7294		27294		150/90	12SI	37293	47294	57294	67293	
17294	7294		27294	140	150/90	12SI	37293	47294	57294	67293	140

	48290	58290									
38237	48237	58237	68237								

37860	47860	57860	67860		200/125	CS144	38203	48203	58203	68203	
-------	-------	-------	-------	--	---------	-------	-------	-------	-------	-------	--

38233	48233	58233	68233								
38231	48231	58231	68231		215/140	AD244	38237	48237	58237	68237	
	48206-5	58206-5									

37860	47860	57860	67860								
-------	-------	-------	-------	--	--	--	--	--	--	--	--

37860	47860	57860	67860								
-------	-------	-------	-------	--	--	--	--	--	--	--	--

TRUCKS



Alternator Application Guide

	Engine Size	Equip	PM Amps	Family	OE/ Look	Chrome	Polished	Amps	Family
Jeep									

Cherokee (J Series): see Grand Wagoneer

Cherokee Limited / Comanche / Wagoneer Limited (XJ Series)

1991-2001	All	UPG	170/110	CHUPG				170/100	CHUPG
1987-1990	2.5L	STD	105/85	CS130	8137			140/95	CS130
	4.0L	STD	105/85	CS130	7902			140/95	CS130
1984-1986	2.5L, 2.8L	STD	100/70	12SI	7294	17294	27294	150/90	12SI
1981-1983	All	STD	85/55	10SI	7127	17127	27127	100/70	12SI
	Opt HD	OPT	120/95	17SI	7288	17290	27290		
1978-1980	All	STD	85/55	10SI	7127	17127	27127	100/70	12SI
1975-1977	All V6	STD	85/55	10SI	7127	17127	27127	100/70	12SI
	All V8	STD	65/45	1G	7078	17078	27078	150/90	FDUPG
1975 Only	All V8	UPG						100/75	JPUPG
1966-1974	All	UPG						100/75	JPUPG

Commander

2007-2010	5.7L	11241	150		TBA				
2006	5.7L	11155	160		TBA				
2007-2010	3.7L, 4.7L	11240	160		TBA				
2006	3.7L, 4.7L	13912	160		TBA				

Grand Cherokee

2007-2010	5.7L, 6.1L	11241	150		TBA				
2005-2006	5.7L,	11155	160		TBA				
2003-2006	3.7L, 4.7L	13912	160		TBA				
2004	4.0L	11116	160		TBA				
1999-2003	4.7L	13873	136		TBA				
1992-1998	All	UPG						170/100	JPUPG

Grand Wagoneer (J Series) Full Size / J Series Pickup

1980-1991	All	STD	100/70	12SI	7294	17294	27294	150/90	12SI
1980-1991	Opt HD	OPT	120/95	17SI	7288	17290	27290		
1978-1979	All	STD	85/55	10SI	7127	17127	27127	100/70	12SI
1975-1977	All V6, 2" Mtg Foot	STD	85/55	10SI	7127	17127	27127	100/70	12SI
1975-1977	All V8, 3" Mtg Foot	STD	65/45	1G	7078	17078	27078	150/90	FDUPG
1966-1975	All, 1" Mtg Foot	UPG						100/75	JPUPG

Liberty

2007-2012	3.7L	11240	160		TBA				
2002-2006	3.7L	13913	160		TBA				

Wrangler / TJ

2007-2011	3.8L	11295	160		TBA				
2003-2006	2.4L	13961	136		TBA				
2001-2006	4.0L	11116	160		TBA				
1999-2002	4.0L, 2.5L	13842	136		TBA				



Alternator Application Guide

Chrome	Natural	Black	Polished	Plug Req.	Amps	Family	Chrome	Natural	Black	Polished	Plug Req.
--------	---------	-------	----------	-----------	------	--------	--------	---------	-------	----------	-----------

	43311	53311	63311								
	48137	58137									
	47902	57902									
37293	47294	57294	67293								
17294	7294		27294		150/90	12SI	37293	47294	57294	67293	
17294			27294		150/90	12SI	37293	47294	57294	67293	
17294			27294		150/90	12SI	37293	47294	57294	67293	
8-37141	8-47141	8-57141	8-67141		200/130	3G	37759	47759	57759	67759	
8-36101	8-46101	8-56101			150/90	JPUPG	8-36141	8-46141	8-56141		
8-36101	8-46101	8-56101			150/90	JPUPG	8-36141	8-46141	8-56141		

	43311	53311	63311								

37293	47294	57294	67293								
					200/125	CS144	37806	47806	57806		140
17294	7294		27294		150/90	12SI	37293	47294	57294	67293	
17294	7294		27294		150/90	12SI	37293	47294	57294	67293	
8-37141	8-47141	8-57141	8-67141		200/130	3G	37759	47759	57759	67759	
8-36101	8-16101	8-56101			150/90	JPUPG	8-36141	8-46141	8-56141		

TRUCKS



Alternator Application Guide

	Engine Size	Equip	PM Amps	Family	OE/ Look	Chrome	Polished	Amps	Family
--	-------------	-------	---------	--------	----------	--------	----------	------	--------

Wrangler / CJ

1991-1998	All	UPG						170/100	JPUPG
1983-1990	All	STD	100/70	12SI	7294	17294	27294	150/90	12SI
1981-1982	All exc. Below	STD	100/70	12SI	7294	17294	27294	150/90	12SI
1981-1982	4.2L only Opt HD	OPT	120/95	17SI	7288	17290	27290		
1978-1980	All	STD	85/55	10SI	7127	17127	27127	100/70	12SI
1975-1977	All V6 2" Mtg Foot	STD	85/55	10SI	7127	17127	27127	100/70	12SI
1975-1977	All V8 3" Mtg Foot	STD	75/55	1G	7078	17078	27078	150/90	FDUPG
1975	All V8 1" Mtg Foot	UPG						100/75	JPUPG
1966-1974	All 1" Mtg Foot	UPG						100/75	JPUPG

Lincoln

Blackwood

2002-2003	5.4L	STD	140/100	6G	8305			200/130	6G
-----------	------	-----	---------	----	------	--	--	---------	----

Mark LT

2006-2008	5.4	STD	140/100	6G	8315			200/130	6G
-----------	-----	-----	---------	----	------	--	--	---------	----

Navigator

2009-2010	All FR-SIG-A	11292	150A		TBA				
2005-2008	All FR-SIG-A	STD	140/100	6G	8315			200/130	6G
2003-2004	All	STD	140/100	6G	8305			200/130	6G
1998-2002	All	STD	140/100	6G	7795			200/130	6G

Mazda

Navaho / B4000, B3000, B2300 Pickup

2006-2009	3.0L I-S-A	STD	140/100	3G	7750			140/100	3G
2009	2.3L I-FR-A	STD	120/85	6G	8518			155/95	6G
2001-2008	2.3L	STD	120/85	6G	8265			155/95	6G
2001-2005	3.0L, 4.0L	STD	140/100		7750			140/100	3G
1991-2000	2.3L, 3.0L, 4.0L	STD	140/100		7750			140/100	3G

Tribute

2005-2007	2.3L A/T LI-RC-AS Reg	STD	140/100	4G	8405				
2005-2007	3.0L LI-RC-AS Reg	STD	140/100	4G	8403				
2001-2004	2.0L FR-SIG-A Reg	STD	120/85	6G	8260				
2001-2004	3.0L I-FR-A Reg	STD	140/100	6G	8259				

Mercury

Mariner

2005-2007	2.3L	STD	140/100	4G	8405				
2005-2006	3.0L	STD	140/100	4G	8403				

Oldsmobile

Bravada

2002-2004	4.2L	STD	165/125	AD244	8290			215/140	AD244
2001	4.3L	STD						165/95	CS130D
1998-2000	4.3L	STD	120/90	CS130D	8231	18231	28231	165/95	CS130D
1996-1997	4.3L	STD	120/90	CS130D	8206	18206	28206	165/95	CS130D
1991-1993	4.3L	STD	105/80	CS130	7861	17861	27861	140/95	CS130



Alternator Application Guide

Chrome	Natural	Black	Polished	Plug Req.	Amps	Family	Chrome	Natural	Black	Polished	Plug Req.
--------	---------	-------	----------	-----------	------	--------	--------	---------	-------	----------	-----------

	43311	53311	63311								
37293	47294	57294	67293								
37293	47294	57294	67293								
					200/125	CS144	37806	47806	57806		140
17294	7294		27294		150/90	12SI	37293	47294	57294	67293	
17294	7294		27294		150/90	12SI	37293	47294	57294	67293	
8-37141	8-47141	8-57141	8-67141		200/125	3G	37759	47759	57759	67759	
8-36101	8-46101	8-56101			150/90	JPUPG	8-36141	8-46141	8-56141		
8-36101	8-46101	8-56101			150/90	JPUPG	8-36141	8-46141	8-56141		

	48305	58305									
--	-------	-------	--	--	--	--	--	--	--	--	--

	48315	58315									
--	-------	-------	--	--	--	--	--	--	--	--	--

	48315	58315									
	48305	58305									
37795	47795	57795	67795								

	47750	57750			200/130	3G	37768	47768	57768		
	48518	58518									
	48265	58265									
	47750	57750			200/130	3G	37768	47768	57768		
	47750	57750			200/130	3G	37768	47768	57768		

					200/130	4G		48405	58405		
					200/130	4G		48403	58403		
					155/95	6G		48260	58260		
					200/130	6G		48259	58259		

					200/130	4G		48405	58405		
					200/130	4G		48403	58403		

	48290	58290									
	48283	58283			200/125	CS144	38202	48202	58202		160
38231	48231	58231	68231		200/125	CS144	38203	48203	58203		
38206	48206	58206	68206		200/125	CS144	38203	48203	58203		160
37861	47861	57861	67861		200/125	CS144	38203	48203	58203		

TRUCKS