

## **Transfer Case Brace**

*GM Allison (4X4) Transmissions*

*'01-'07 (129020107)*

*'07.5-'10 - (129020710)*

*'11-'16 - (129021115)*

## ***Installation Guide***

## **DISCLAIMER OF LIABILITY**

Performance products can increase horsepower above and beyond factory specifications. Additional horsepower creates more stress on the drive-train components, which could result in drive-train failure.

Note regarding emissions-related, non-E.O.-legal products: THESE PRODUCTS ARE LEGAL IN CALIFORNIA ONLY FOR RACING VEHICLES THAT MAY NEVER BE USED, OR REGISTERED OR LICENSED FOR HIGHWAY OR OFF-ROAD USE.

This agreement sets forth the terms and conditions for the use of PPE products. The installation of this product indicates that the Buyer has read and understands this agreement and accepts the terms and conditions. PPE (Pacific Performance Engineering) Inc., its distributors, employees, and dealers (the "Seller") shall not be responsible for the product's proper use and service. The buyer hereby waives all liability claims. The Buyer hereby acknowledges no reliance on the Seller's skill or judgment to select or furnish goods suitable for any particular purpose and that there are no liabilities which extend beyond the description on the face hereof, and the Buyer hereby waives all remedies or liabilities expressed or implied, arising by law or otherwise (including without any obligation of the Seller with respect to fitness, merchantability and consequential damages), or whether or not occasioned by the Seller's negligence. The Seller disclaims any warranty and expressly disclaims any liability for personal injury or damages. The Buyer acknowledges and agrees that the disclaimer of any liability for personal injury is a material term for this agreement and the Buyer agrees to indemnify the Seller and to hold the Seller harmless from any claim related to the item of equipment purchased. Under no circumstances will the Seller be liable for any damages or expenses by reason of use or sale of any such equipment. The Seller assumes no liability regarding the improper installation or misapplication of its products. It is the installer's responsibility to check for proper installation and if in doubt, contact the manufacturer. The Buyer is solely responsible for all warranty issues from the manufacturer.

## ***Installation:***

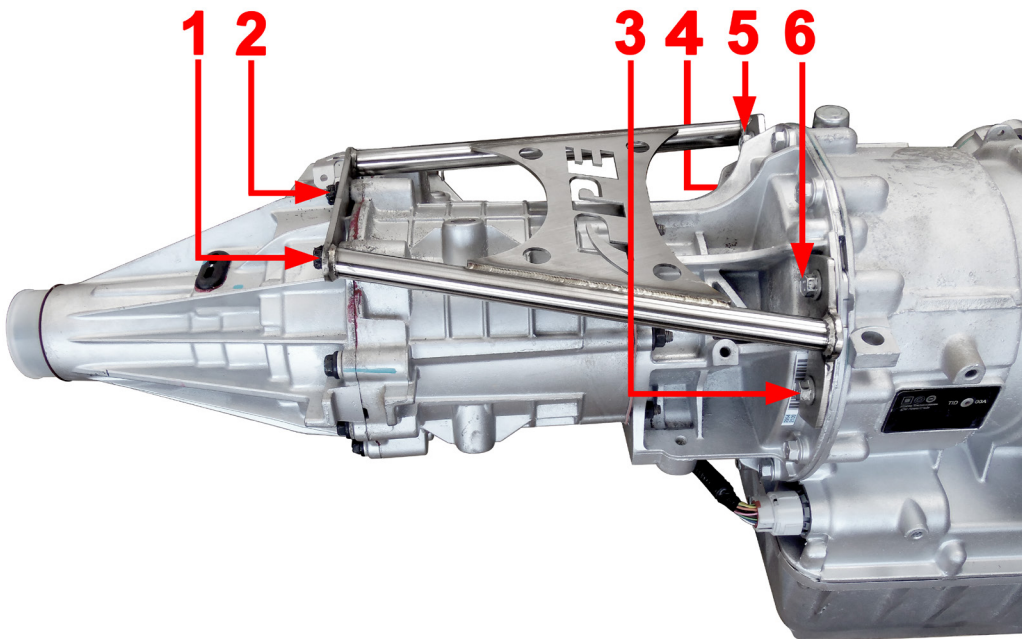
***Installation of the PPE Transfer Case Brace can be accomplished with the transmission in or out of the vehicle.***

*Transfer Case Brace shown installed in diagram for reference.*

**Step 1:** *Remove the factory bolts (shown in the diagram below) from the top of the transfer case and rear housing.*

*(2 transfer case bolts)*

*(4 Allison rear housing bolts)*



**Step 2:** *Place Transfer Case Brace in position and install factory bolts.*

**Step 3:** *Tighten the 2 transfer case bolts to 36 ft. lbs.  
Do not over torque.*

**Step 4:** *Tighten Allison rear housing bolts (M10 x 1.5 x 40) bolts to 38 ft. lbs.  
Do not over torque.*

***Installation is complete.***