

INSTALLATION OF THE *PriorityStart!* HOLSTER

Key:

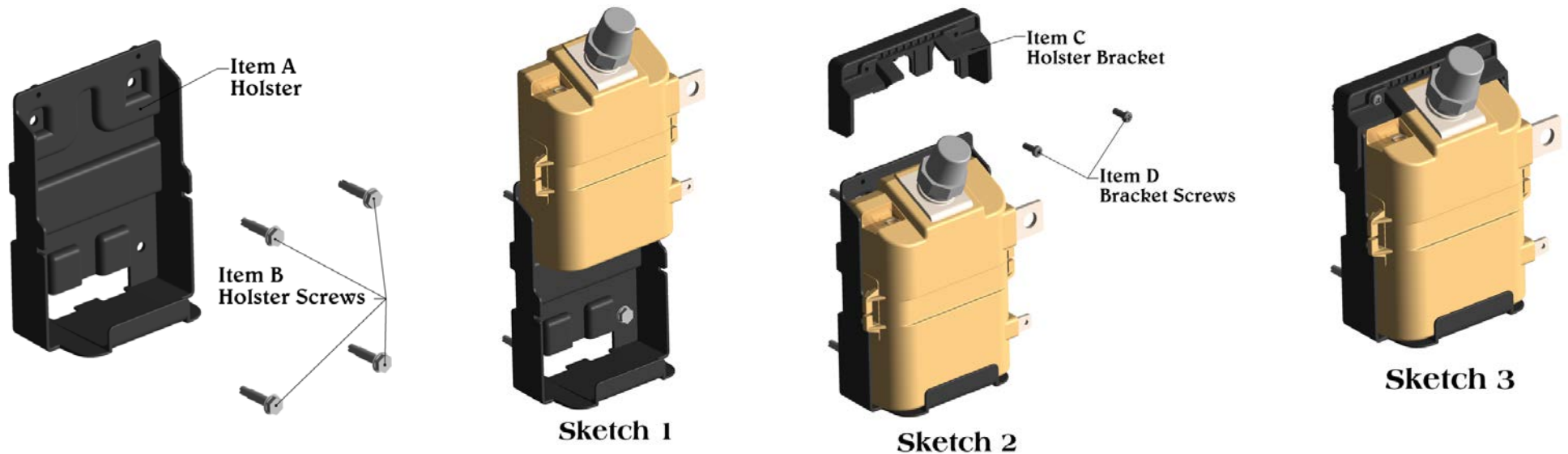
- Item A — Holster
- Item B — Four (4) Holster Screws #8 x 3/4"
- Item C — Holster Bracket
- Item D — Two (2) Bracket Screws 3mmX 8mm

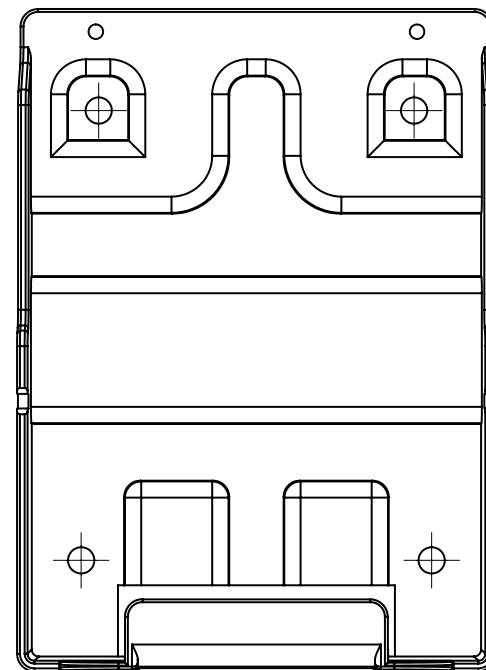
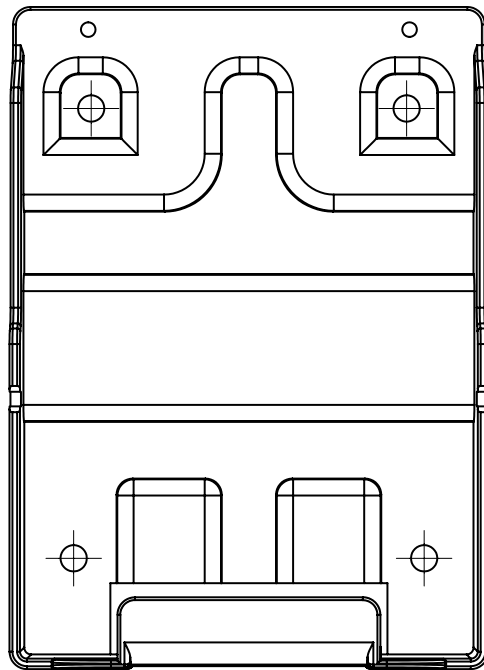
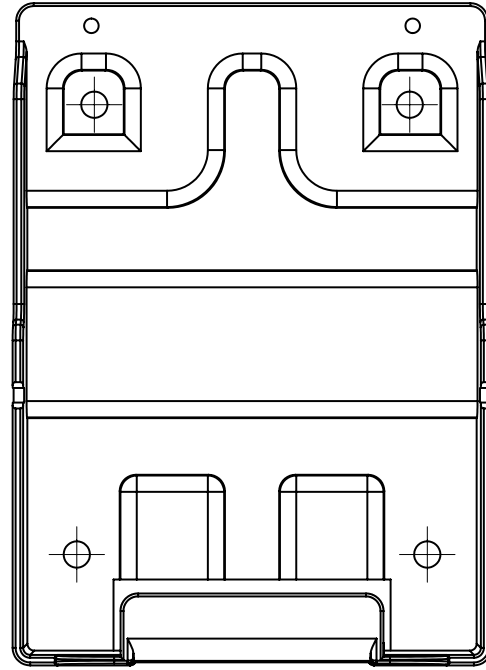
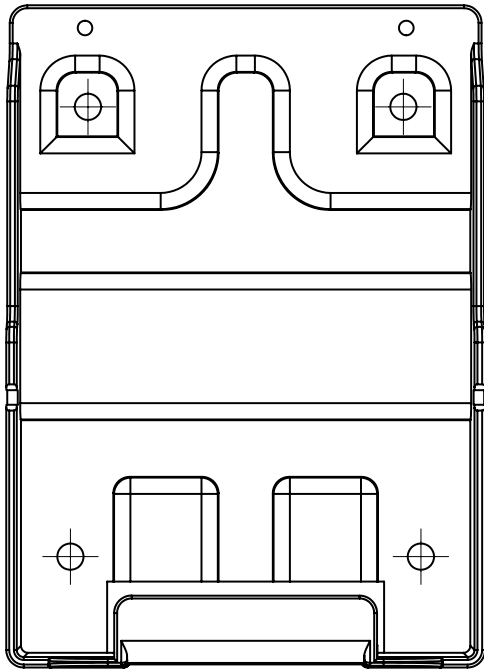
Option A: Hard mounting to the Firewall or Fender Well

- Install Holster (Item A) on flat surface such as Firewall, Fender Well, etc. Use enclosed paper template Pre-Drill holes using 1/8" drill.
- Use the Four (4) Holster Screws (Item B) to fasten the Holster to surface.
- Insert the *PriorityStart!* unit into the Holster. (Sketch 1)
- Slide the Holster Bracket (Item C) over the top of the *PriorityStart!* (Sketch 2)
- Fasten the Holster Bracket to Holster using Two (2) bracket screws. (Sketch 3)
- Proceed with *PriorityStart!* installation per your Owner's Manual.

Option B: Using the SecureStrap with the Holster on vehicle battery

- Insert the *PriorityStart!* unit into the Holster. (Sketch 1)
- Slide the Holster Bracket (Item C) over the top of the *PriorityStart!* and match up the holding screw for the Holster. (Sketch 2)
- Fasten the Holster Bracket to Holster using 2 bracket screws. (Sketch 3)
- Use **SecureStrap** around Holster and *PriorityStart!* Proceed with *PriorityStart!* installation per your Owner's Manual.





Rely on premium automotive tools by PriorityStart if you're looking for quality and efficiency.