



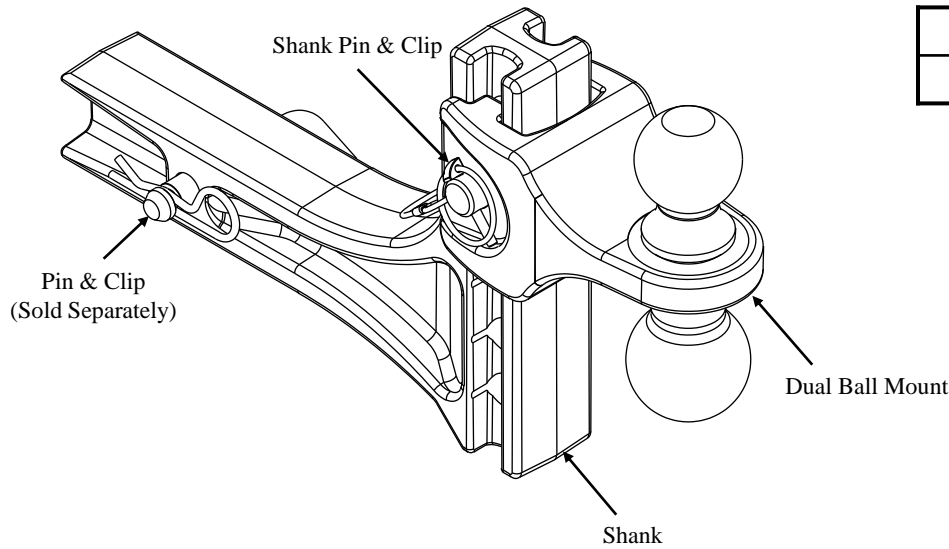
# Installation Instructions

## Adjustable Dual Ball Mount

Part Number:  
**63071**

Do Not Exceed Lower of Towing Vehicle  
Manufacturer's Rating or

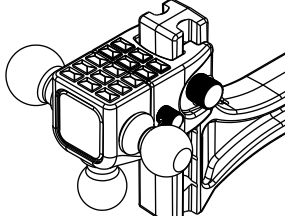
2" Ball	10,000 Lbs (4535 Kg)
2 5/16" Ball	14,000 Lbs (6350 Kg)



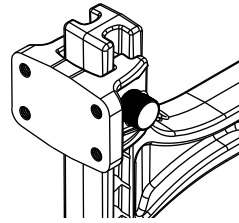
1. Insert shank into hitch receiver and attach pin & clip (sold separately).
2. Insert dual ball mount onto the shank, adjust to proper height and attach shank pin & clip. (Height adjustment is in increments of 1.25 inches.)

**Note:** See Figure 1 for maximum drop position and Figure 2 for maximum rise position.

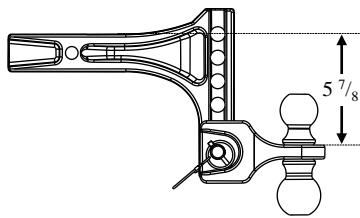
**Additional Products**



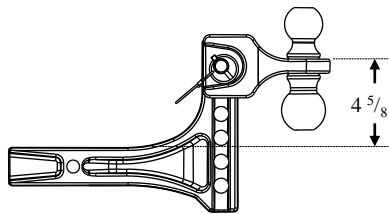
Tri-Ball Mount  
P/N: 63070



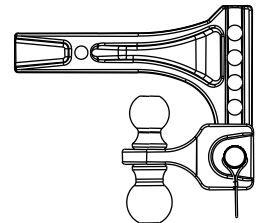
Pintle Mount  
P/N: 63072



**Figure 1:** Max. Drop Position

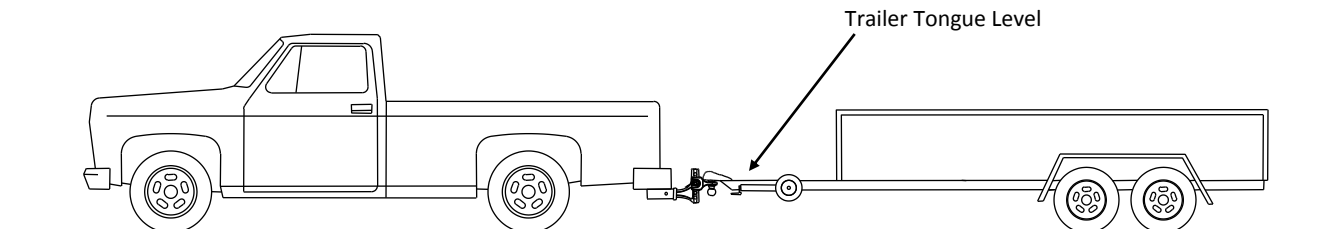


**Figure 2:** Max Rise Position



**Figure 4:** Storage Position Only.  
**DO NOT USE THIS POSITION FOR TOWING**

**Note:** Check for proper ball mount height with vehicle and trailer loaded for travel. At proper adjustment the trailer coupler and tongue should be level with the ground. See Figure 5.



**Figure 5:** Proper Ball Height