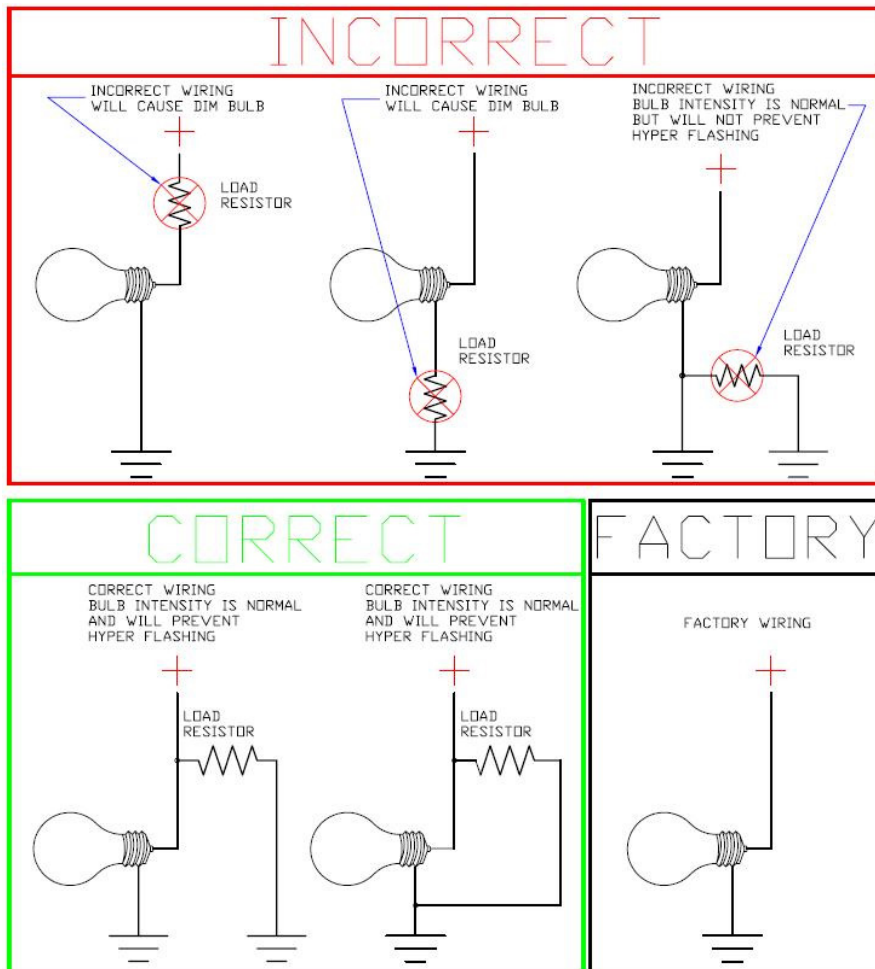


## Installation Instructions

1. Not all vehicles require load resistors. To determine if your vehicle does require them install the Putco lighting first to determine if your turn signals hyper flash.
2. If hyper flashing is noticed, wire in one load resistor into the right turn signal circuit and another into the left turn signal. This should be done near the headlight or the taillight of the vehicle, which ever is easiest to access the wiring near.
3. Depending on the number of bulbs replaced with LEDs multiple load resistors might be required to prevent hyper flashing.



**Note:** PUTCO recommends soldering the connections and covering them with heat shrink tubing or electrical tape.