

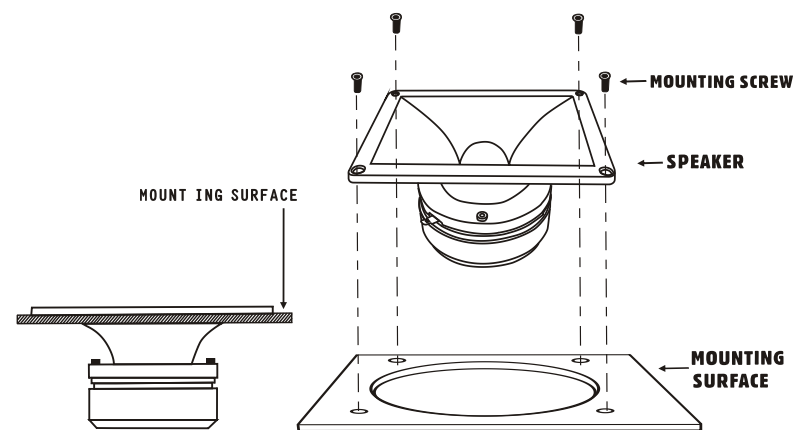
INSTALLATION INSTRUCTION

MODEL PDBT 78

If you purchase a Crossover Network for your Woofer/Midrange/Tweeter system you do not need to connect capacitor.

If your system does not include a Crossover Network, you must connect capacitor as follows:

1. Connect either end of capacitor to the positive terminal (+) of speaker.
2. Connect other end of capacitor to the speaker wire harness. Be certain to connect to Positive side of harness, which is the radio out put (+) side.
3. To get best sound performance, it is recommended to use capacitor 3.3 UF 250V for this unit.



TEMPLATE

