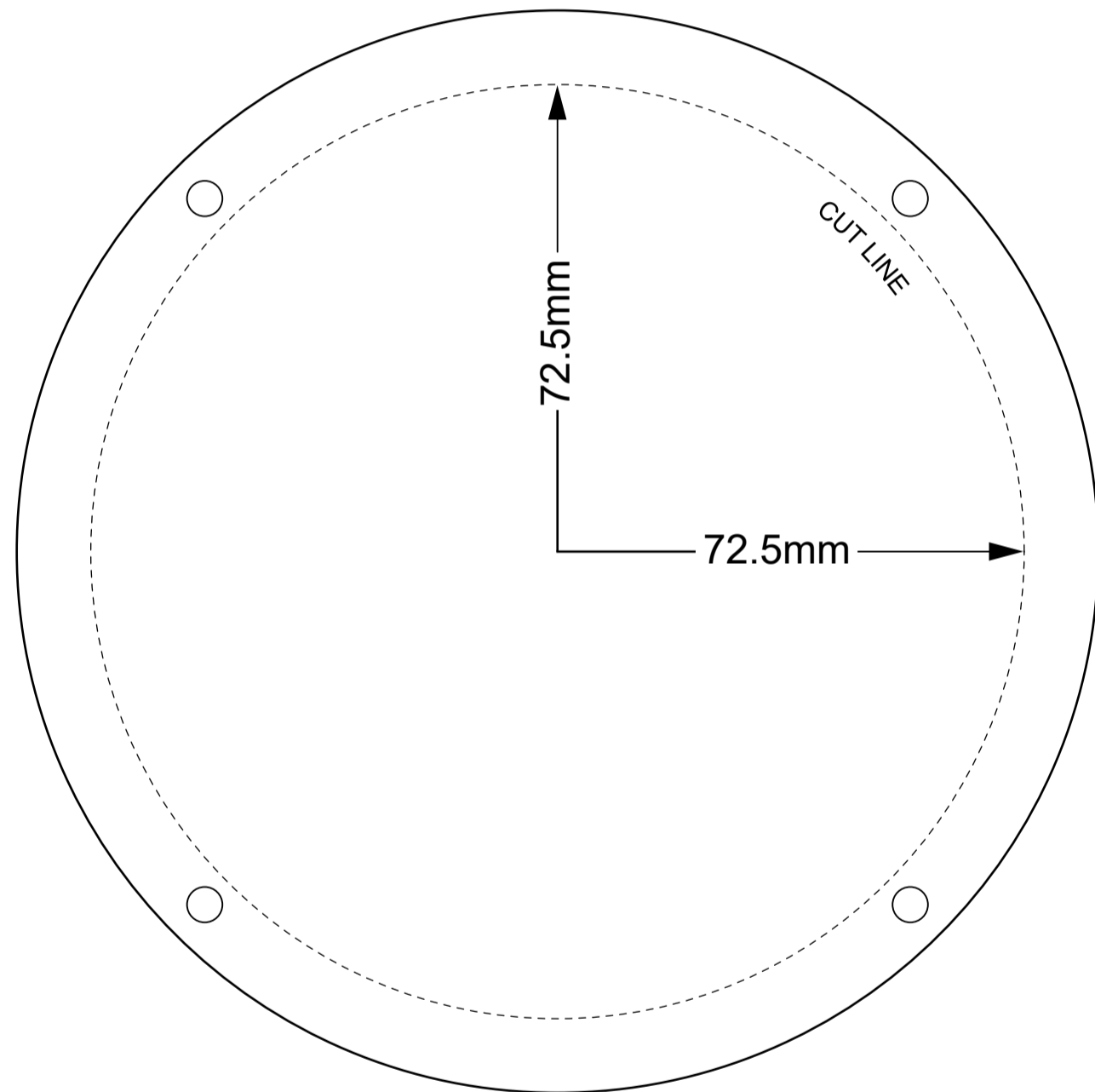




TEMPLATE FOR PMW6A

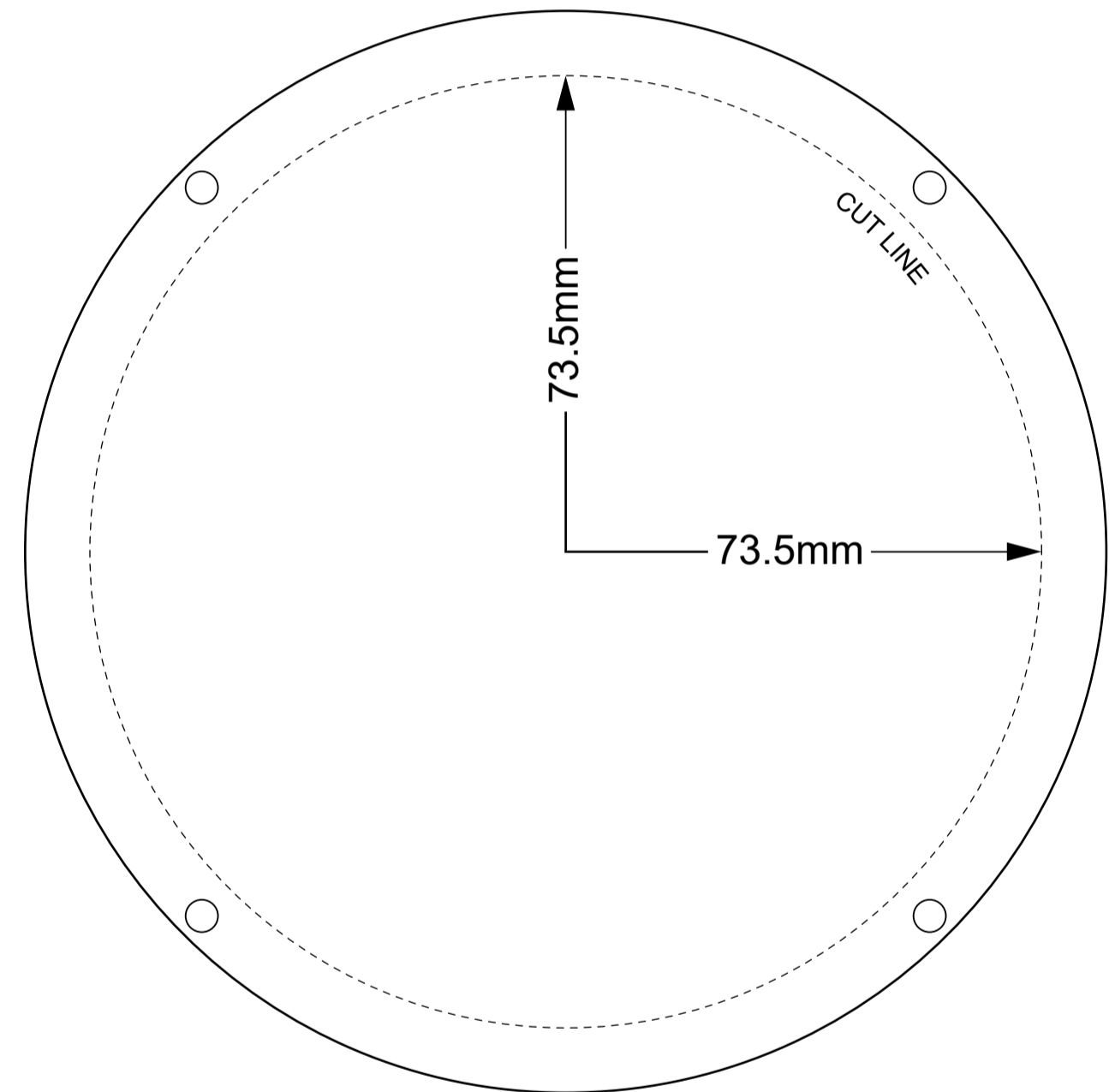


SPEAKER PARAMETER

| MODEL | Fo (Hz) | Qms | Qes | Qts | Vas (CuFt) | SPL (dB) | MAX POWER (W) |
|-------|---------|-------|------|------|------------|----------|---------------|
| PMW6A | 122 | 11.52 | 1.21 | 1.09 | 170.714m | 97 | 400 |



TEMPLATE FOR PDMR6



SPEAKER PARAMETER

| MODEL | Fo (Hz) | Qms | Qes | Qts | Vas (CuFt) | SPL (dB) | MAX POWER (W) |
|-------|---------|------|------|------|------------|----------|---------------|
| PDMR6 | 321 | 7.55 | 5.48 | 3.18 | 17.083m | 93 | 300 |