

PYLE



BLUE LABEL

RED LABEL

PLW10BL

PLW10RD

PLW12BL

PLW12RD

SPECIFICATIONS



About Pyle Blue (Red) Label Woofer

Congratulations! You have purchased one of our high quality Pyle woofer. Blue (Red) Label Series Woofer are not only in unique design, but also could deliver consistent and high performance.

We do confident that Blue (Red) Label Series Woofer will bring you many hours of enjoyment over the years.

The General Features Pyle Woofers Include:

BLUE LABEL

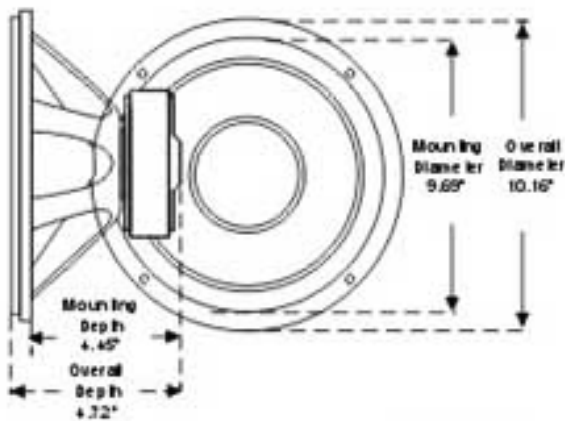
- Blue CD Wave Electro-plated Polypropylene Cone
- Wide Butyl Rubber Surround With New Pattern
- Blue Steel Basket
- Bumped & Vented Extended Pole Piece
- High Temperature Kapton Polyamide Voice Coils
- 4 Ohm Impedance

RED LABEL

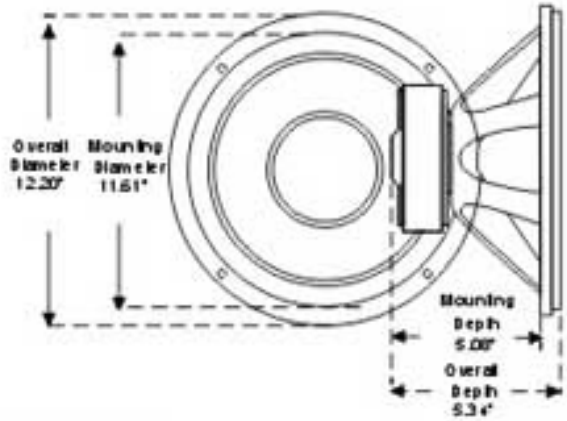
- Red CD Wave Electro-plated Polypropylene Cone
- Wide Butyl Rubber Surround With New Pattern
- Red Steel Basket
- Bumped & Vented Extended Pole Piece
- High Temperature Kapton Polyamide Voice Coils
- 4 Ohm Impedance

BLUE LABEL

PLW10BL

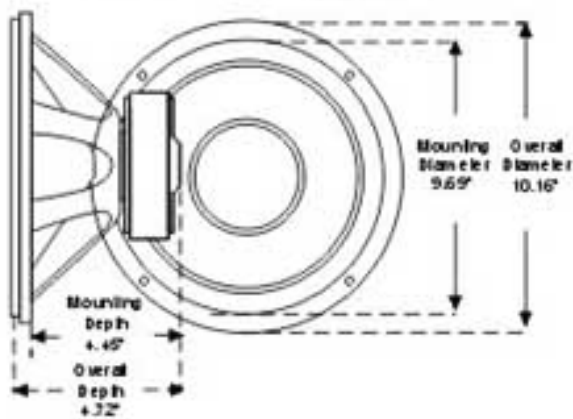


PLW12BL

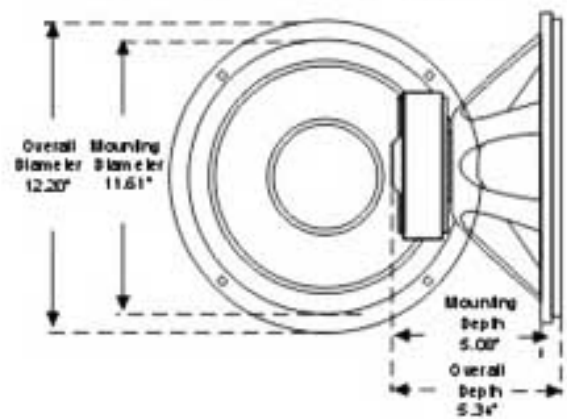


RED LABEL

PLW10RD



PLW12RD



Specification	PLW10BL	PLW12BL	PLW10RD	PLW12RD
Steel Frame	Blue	Blue	Red	Red
Cone	Blue Electroplated	Blue Electroplated	Red Electroplated	Red Electroplated
Surround	Wide Rubber	Wide Rubber	Wide Rubber	Wide Rubber
Power (Watts Peak)	600	800	600	800
Nom. Impedance (Ohm)	4	4	4	4
Voice Coil	1.5" KSV	2" KSV	1.5" KSV	2" KSV
Magnet Structure	70 oz	90 oz	70 oz	90 oz
Fs (Hz)	35.9	26.2	35.9	26.2
Qms	5.72	5.81	5.72	5.81
Qes	0.83	0.90	0.83	0.90
Qts	0.73	0.78	0.73	0.78
SPL (dB)	86.7	85.5	86.7	85.5
Vas (cuft)	1.932	4.146	1.932	4.146

Pyle - Blue (Red) Label - Series continually strives to improve the performance and value of its products
all specifications are subject to change.