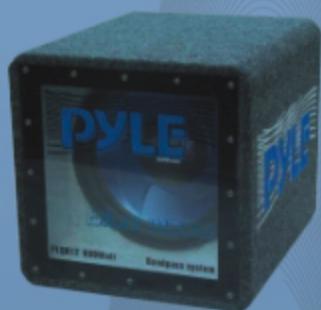


PLYLE

SPECIFICATIONS

PLQB8/PLQB10/PLQB12



PLTAB8/PLTAB10/PLTAB12



PLHB8/PLHB10/PLHB12



PLTA8N/PLTA10N/PLTA12N



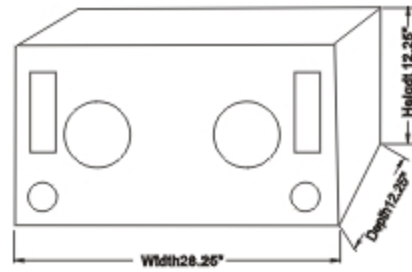
PLTB8/PLTB10/PLTB12



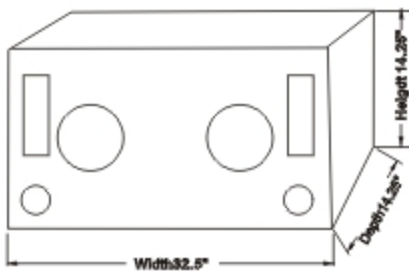
PLBAW210/PABAW212



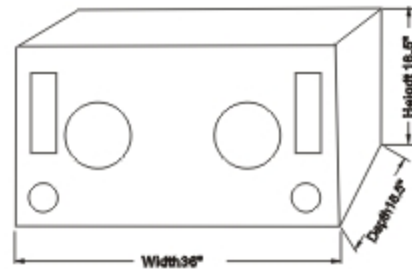
PLHB8



PLHB10

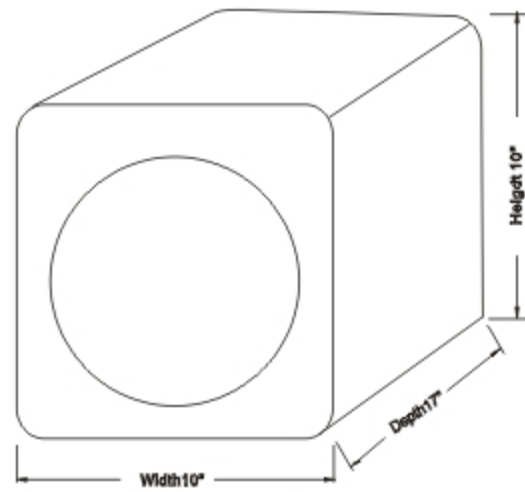


PLHB12

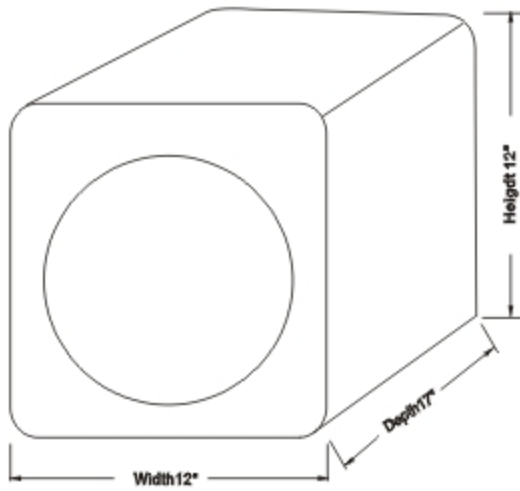


FEATURESD	PLHB8	PLHB10	PLHB12
Woofer Size	8"	10"	12"
Power Handling(Peak)	600W	800W	1000W
Frequency Response	35Hz-20k Hz	30Hz-20k Hz	25Hz-20k Hz
Woofer Used	PLHB8	PLHB10	PLHB12
Ports	2	2	2
Dimensions	28.25"x12.25"x12.25"	32.5"x14.25"x14.25"	36"x16.5"x16.5"

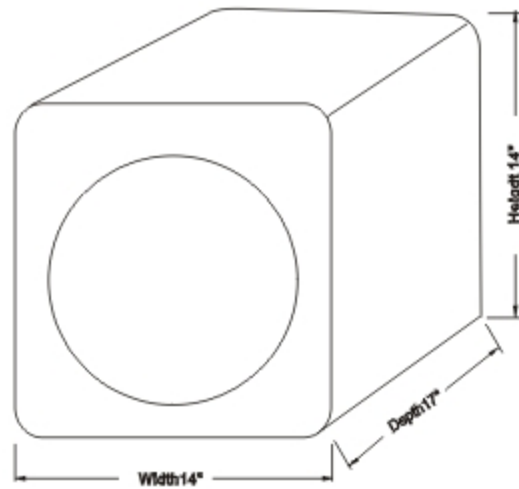
PLQB8



PLQB10

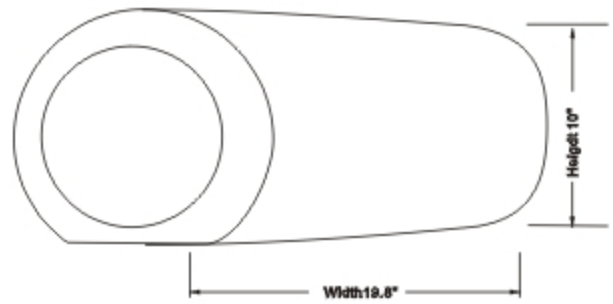


PLQB12

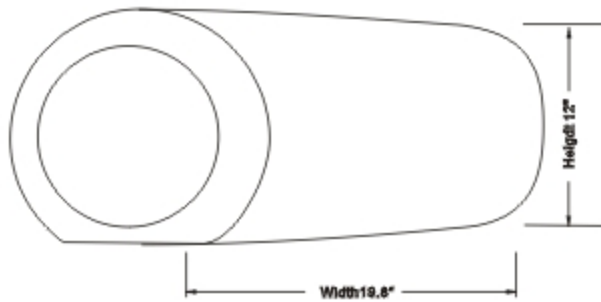


FEATURESD	PLQB8	PLQB10	PLQB12
Woofer Size	8"	10"	12"
Power Handling(Peak)	400W	500W	600W
Frequency Response	35Hz-800 Hz	30Hz-700 Hz	25Hz-600 Hz
Woofer Used	PLQB8	PLQB10	PLQB12
Ports	2	2	2
Dimensions	10"x10"x17"	12"x12"x17"	14"x14"x17"

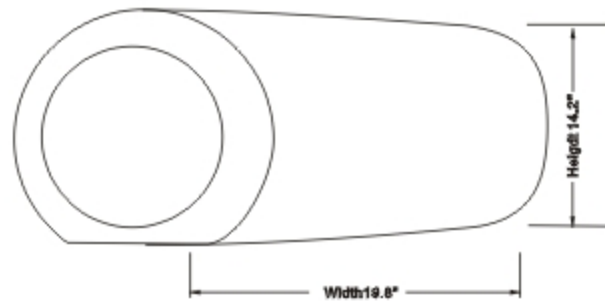
PLTAB8



PLTAB10

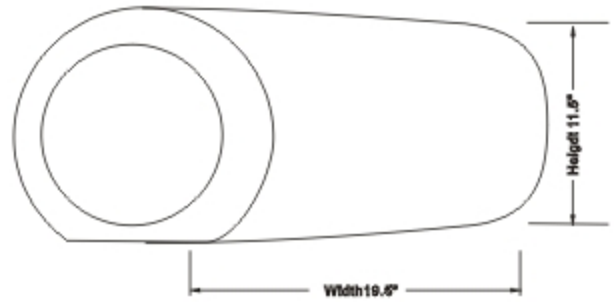


PLTAB12

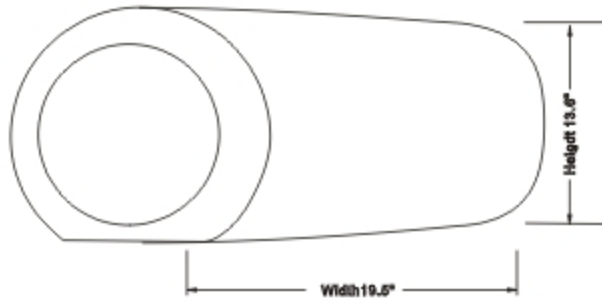


FEATURESD	PLTAB8	PLTAB10	PLTAB12
Woofer Size	8"	10"	12"
Power Handling(Peak)	250W	500W	800W
Frequency Response	35Hz-800 Hz	30Hz-700 Hz	25Hz-600 Hz
Woofer Used	PLTAB8	PLTAB10	PLTAB12
Ports	1	1	1
Dimensions	10"x19.8"	12"x19.8"	14.2"x19.8"

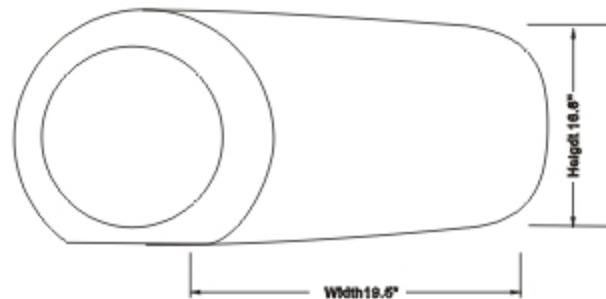
PLTB8



PLTB10

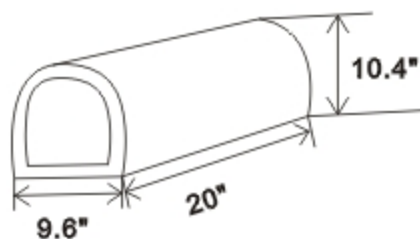


PLTB12

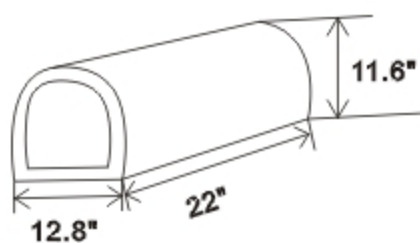


FEATURESD	PLTB8	PLTB10	PLTB12
Woofer Size	8"	10"	12"
Power Handling(Peak)	400W	500W	600W
Frequency Response	35Hz-800k Hz	30Hz-700k Hz	25Hz-600k Hz
Woofer Used	PLTB8	PLTB10	PLTB12
Ports	1	1	1
Dimensions	11.5"x19.5"	13.6"x19.5"	16.8"x19.5"

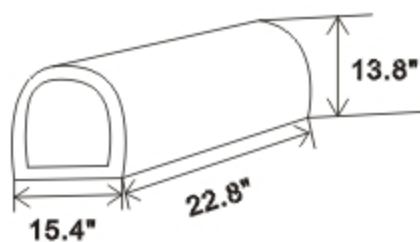
PLTA8N



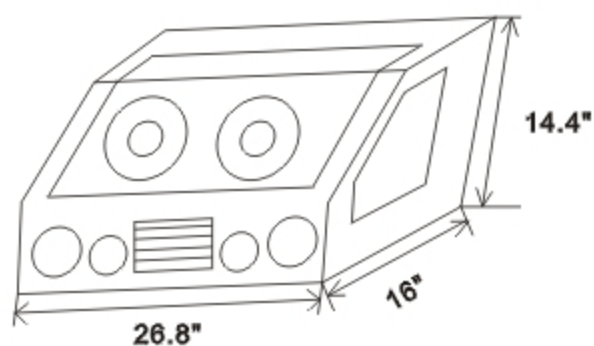
PLTA10N



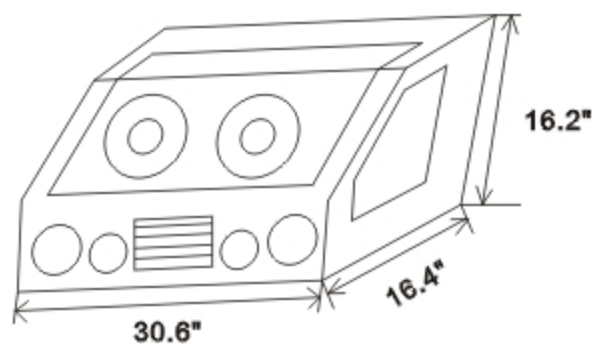
PLTA12N



PLBAW210



PLBAW212



FEATURESD	PLTA8N	PLTA10N	PLTA12N	PLBAW210	PLBAW212
Woofer Size	8"	10"	12"	10"	12"
Power Handling(Peak)	250W	500W	800W	800W	1000W
Frequency Response	35Hz-800 Hz	30Hz-700 Hz	25Hz-600 Hz	30Hz-700 Hz	25Hz-600 Hz
Woofer Used	PLTA8N	PLTA10N	PLTA12N	PLBAW210	PLBAW212
Ports	1	1	1	2	2
Dimensions	10.4"x20"x9.6"	11.6"x22"x12.8"	13.8"x22.8"x15.4"	14.4"x22.8"x16"	16.2"x30.6"x16.4"

About Pyle PLQB/PLHB/PLTB/PLTAB/PLTA/PLBAW-Series Hatchback SubWoofer Systems

Congratulations

You have just purchased one of our high quality Pyle Hatchback Subwoofer Systems, PLQB/PLHB/PLTB/PLTAB/PLTA/PLBAW Series Hatchback Subwoofer System is carefully designed & manufactured for vehicle use. They could deliver consistent and high performance

The General Features of Pyle PLQB/PLHB/PLTB/PLTAB/PLTA/PLBAW Series Hatchback SubWoofer Systems

High Power 4 Ohm Sub-woofers

Aluminium Voice Coil

Bandpass Alignment For Extra Deep Bass

PLQB/PLTB Series: Non-Press Paper Cone With Cloth Edge

Plhb Series: Blue Polypropylene Cone

Specially Treated Black Rubber Edge Suspension

PLTAB series:Blue Polypropylene Cone

Specially Treated Black Rubber Edge Suspension

PLTA/PLBAW Series: Silver Polypropylene Cone

Specially Treated Black Rubber Edge Suspension