

PYRAMID[®]
Gold Series

**REGULATED DC
POWER SUPPLY**

MODEL: PS - 21K

INSTRUCTION MANUAL

GENERAL SPECIFICATIONS.

MODEL NO: PS - 21K

ELECTRICAL:

(A-1) INPUT RATING

INPUT VOLTAGE: 105VAC - 125VAC. (115VAC NORMAL)

INPUT LINE FREQUENCY: 60 Hz.

INPUT POWER: 450W MAX.

(A-2) OUTPUT RATING

OUTPUT VOLTAGE: 13.8VDC \pm 0.3VDC.

OUTPUT CURRENT: 18 AMP CONSTANT / 20 AMP SURGE

OUTPUT RIPPLE: 150mV RMS

(A-3) REGULATION.

LOAD REGULATION: 2.5% (280mV).

(NOTE: INPUT AT 115VAC AND OUTPUT AT 18 AMP)

(A-4) PROTECTION

INPUT LINE: GLASS TUBE FUSE 6A / 250VAC.

OVER-LOAD PROTECTION: +10 - 15% (AUTO RESET).

OVER-TEMPERATURE PROTECTION

COOLING FAN BUILT-IN

PROTECTION INDICATOR: RED LED

(A-5) EFFICIENCY: 60% MIN. (INPUT AT 115VAC AND OUTPUT AT 13.8VDC 18AMP).

(A-6) DESIGN: LINEAR TYPE.

(A-7) OPERATING TEMPERATURE: 0 TO +40 DEG C.

(A-8) STORAGE TEMPERATURE: -25 TO +70 DEG C.

MECHANICAL:

(B-1) DIMENSIONS: 300mmx230mmx125mm (LxWxH)

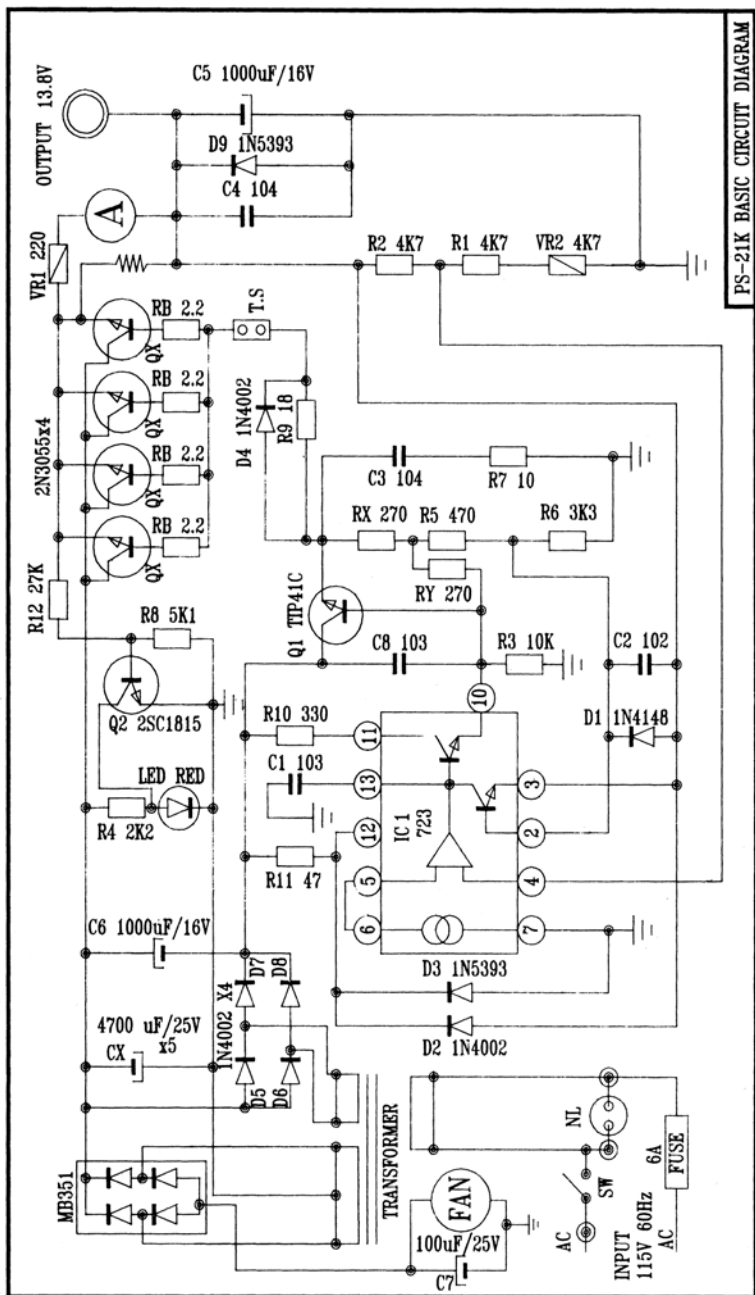
(B-2) WEIGHT: 7.5 KGS

(B-3) ENCLOSURE: METAL / GRAY

(B-4) INPUT POWER CABLE: SPT-2 6FT 18AWGx2CW / I-15P-P PLUG.

(B-5) OUTPUT TERMINAL: BINDING POST RED & BLK, 25AMP.

(B-6) POWER SWITCH: ILLUMINATED TYPE 15A / 125VAC.



OPERATIONS:

1. INSERT AC POWER PLUG INTO A 110V VOLT AC OUTLET.
2. CONNECT THE POWER CORD OF YOUR EQUIPMENT (13.5V-14.1VDC) TO THE OUTPUT BINDING POST TERMINALS ON THE FRONT OF THE UNIT. BE SURE THAT POLARITY IS CORRECT. THE RED POSITIVE(+) TERMINAL AND BLACK NEGATIVE(-) TERMINAL ARE MARKED, REVERSAL OF POLARITY MAY DAMAGE YOUR EQUIPMENT
3. TURN SWITCH TO "ON" RED LIGHT IN SWITCH WILL BE ILLUMINATED.
4. THE INPUT POWER IS PROTECTED BY THE FUSE WHICH IS LOCATED AT THE REAR OF THE UNIT AND CAN BE REPLACED BY UNSCREWING THE FUSE HOLDER IF THE FUSE IS BURNT OUT. DO NOT USE A FUSE LARGER THAN 6 AMP. USE OF HEAVIER FUSE MAY RESULT IN DAMAGING TO THIS UNIT.
5. THIS UNIT HAS ELECTRONIC OVERLOAD PROTECTION WITH INSTANT AUTOMATIC RESET FUNCTION. IF OUTPUT IS OVERLOADED, THE OUTPUT POWER WILL AUTOMATICALLY SHUT OFF. RELEASE POWER CORD OF YOUR EQUIPMENT FROM THE OUTPUT TERMINALS AND CHECK THE ACTUAL POWER RATING OF YOUR EQUIPMENT. THIS UNIT WILL AUTOMATICALLY RESET INSTANTLY.

CAUTIONS:

1. DO NOT USE WITH EQUIPMENT REQUIRING MORE THAN RATING AMPS.
2. DO NOT USE OUTDOORS. DO NOT EXPOSE UNIT TO RAIN, MOISTURE, WATER OR ANY OTHER LIQUIDS.
3. DO NOT REMOVE COVER IN ANY CASE. RETURN TO DEALER FOR REPAIR IF DAMAGED.
4. THIS UNIT HAS A SPECIAL BUILT-IN FEATURE THAT WILL SHUT THE UNIT DOWN IF MARKED AMPERAGE IS EXCEEDED. THIS WILL AVOID BURN-OUT OF YOUR EQUIPMENT AND OF UNIT. IF UNIT DOES CONSISTENTLY SHUTDOWN, THIS MEANS YOU ARE DRAWING TOO MUCH AMPERAGE. RETURN UNIT TO PLACE OF PURCHASE AND UPGRADE TO NEXT AVAILABLE UNIT OFFERING HIGHER AMPERAGE. PLEASE DO NOT BYPASS OR ALTER THIS CIRCUIT AS IT IS THERE TO PROTECT YOU. ANY ALTERATION OR MISUSE WILL VOID YOUR WARRANTY.

"DANGER"
HIGH VOLTAGE
REFER TO QUALIFIED TECHNICIAN FOR SERVICE.