

PYRAMID[®]
Gold Series

**REGULATED DC
POWER SUPPLY**

MODEL: PS-3KX/4KX/7KX/8KX

INSTRUCTION MANUAL

GENERAL SPECIFICATIONS.

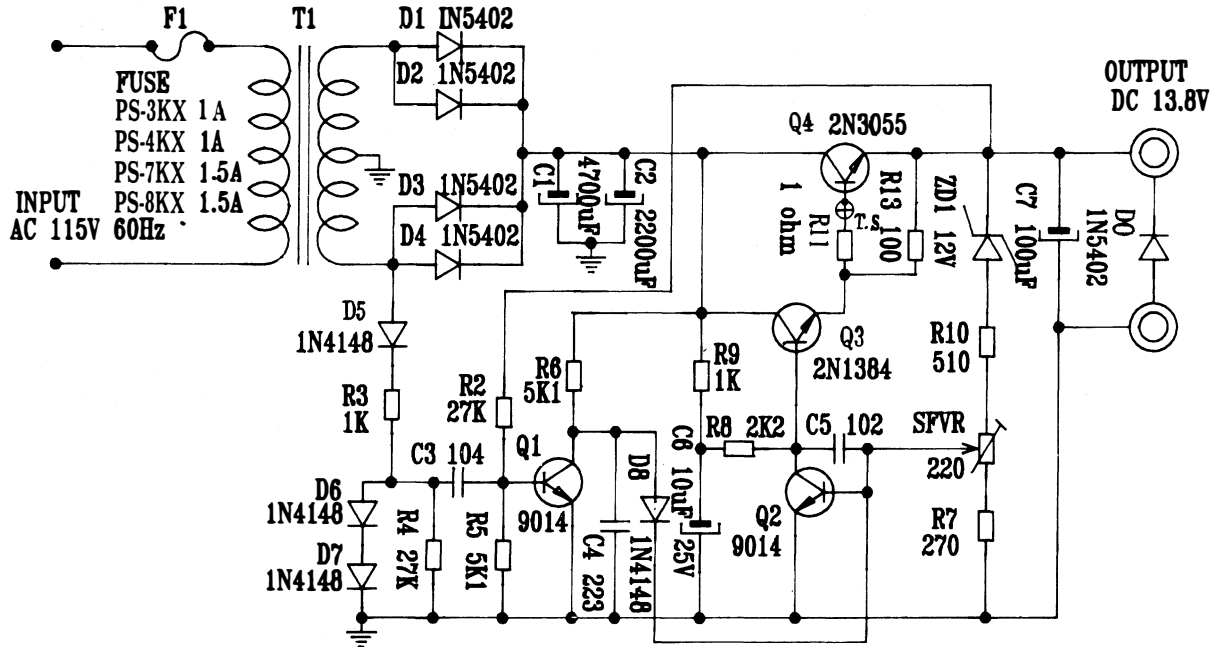
ELECTRICAL:

MODEL NO.:	PS-3KX	PS-4KX	PX-7KX	PS-8KX
(A-1) INPUT RATING.				
INPUT VOLTAGE: 105-125 VAC(115V NORMAL).	YES	YES	YES	YES
INPUT LINE FREQUENCY: 60Hz.	YES	YES	YES	YES
INPUT POWER: MAX.	50W	50W	70W	100W
(A-2) OUTPUT RATING.				
OUTPUT VOLTAGE: 13.8VDC \pm 0.3V	YES	YES	YES	YES
OUTPUT CURRENT: CONT./MAX.	2 / 3A	3 / 4A	5 / 7A	6 / 8A
OUTPUT RIPPLE: 150mV RMS (SEE -NOTE-)	YES	YES	YES	YES
(A-3) REGULATION.				
LOAD REGULATION: 2.5%(280mV P-P)MAX.	·YES·	·YES·	·YES·	·YES·
(A-4) PROTECTION.				
INPUT LINE PROTECTION: GLASS TUBE FUSE.	1.5A/250V	1.0A/250V	1.5A/250V	1.5A/250V
OVER-LOAD PROTECTION: + 10% ~15%, (AUTO RESET)	3A	4A	7A	8A
OVER TEMPERATURE PROTECTION	YES	-	YES	YES
(A-5) EFFICIENCY: 60% MIN. (SEE -NOTE-)	·YES·	·YES·	·YES·	·YES·
(A-6) DESIGN: LINEAR TYPE.				
(A-7) OPERATING TEMPERATURE: 0 TO +40 DEG C.				
(A-8) STORAGE TEMPERATURE: -25 TO +70 DEG C.				
-NOTE-: INPUT AT 115VAC AND OUTPUT AT CONT. CURRENT.				

MECHANICAL:

(B-1) DIMENSIONS: 190mm x 125mm x 76mm. (L x W x H)				
(B-2) WEIGHT: KGS	1.7KGS	1.8KGS	2.1KGS	2.5KGS
(B-3) ENCLOSURE: BLACK	YES	YES	YES	YES
(B-4) INPUT CABLE: 18AWG x 2C W/1-15P PLUG.	SPT-2 6FT	SPT-2 6FT	SPT-2 6FT	SPT-2 6FT
(B-5) OUTPUT TERMINAL: BINDING POST, 10A/125V	YES	YES	YES	YES
(B-6) POWER SWITCH: ILLUMINATED, 15A/125VAC.	YES	YES	YES	YES

CIRCUIT DIAGRAM PS-3KX/4KX/7KX/8KX



CIRCUIT ARE SUBJECT TO CHANGE WITHOUT NOTICE

OPERATION:

1. INSERT AC POWER PLUG INTO A 110V VOLT AC OUTLET.
2. CONNECT THE POWER CORD OF YOUR EQUIPMENT (13.5V — 14 1VDC) TO THE OUTPUT BINDING POST TERMINALS ON THE FRONT OF THE UNIT. BE SURE THAT POLARITY IS CORRECT. THE RED POSITIVE (+) TERMINAL AND BLACK NEGATIVE (-) TERMINAL ARE MARKED. REVERSAL OF POLARITY MAY DAMAGE YOUR EQUIPMENT.
3. TURN SWITCH TO "ON". RED LIGHT IN SWITCH WILL ILLUMINATE
4. THE INPUT POWER IS PROTECTED BY THE FUSE WHICH IS LOCATED AT THE REAR OF THE UNIT AND CAN BE REPLACED BY UNSCREWING THE FUSE HOLDER IF THE FUSE IS BURNT OUT. DO NOT USE A FUSE LARGER THAN .. AMPS. USE OF HEAVIER FUSE MAY RESULT IN DAMAGING TO THIS UNIT. (.. SEE NOTE)
5. THIS UNIT HAS ELECTRONIC OVERLOAD PROTECTION WITH INSTANT AUTOMATIC RESET FUNCTION. IF OUTPUT IS OVERLOADED. THE OUTPUT POWER WILL AUTOMATICALLY SHUT OFF. RELEASE POWER CORD OF YOUR EQUIPMENT FROM THE OUTPUT TERMINALS AND CHECK THE ACTUAL POWER RATING OF YOUR EQUIPMENT. THIS UNIT WILL AUTOMATICALLY RESET INSTANTLY
6. OVER TEMPERATURE PROTECTION CIRCUITRY IS USED IN PS-7KX/8KX TO PREVENT OVER HEAT DAMAGE. UNIT WILL BE SHUT DOWN MINUTES AFTER 15 MINUTES(MIN.) AT 100% RATED LOAD.
25 MINUTES(MIN.) AT 80% RATED LOAD.

.. NOTE PS-3KX : 1.5 AMP
PS-4KX : 1.0 AMP
PS-7KX : 1.5 AMP
PS-8KX : 1.5 AMP

CAUTIONS:

1. DO NOT USE WITH EQUIPMENT REQUIRING MORE THAN RATING AMPS.
2. DO NOT USE OUTDOORS. DO NOT EXPOSE UNIT TO RAIN, MOISTURE, WATER OR ANY OTHER LIQUIDS.
3. DO NOT REMOVE COVER IN ANY CASE. RETURN TO DEALER FOR REPAIR IF DAMAGED.
4. THIS UNIT HAS A SPECIAL BUILT-IN FEATURE THAT WILL SHUT THE UNIT DOWN IF MARKED AMPERAGE IS EXCEEDED. THIS WILL AVOID BURN-OUT OF YOUR EQUIPMENT AND OF UNIT. IF UNIT DOES CONSISTENTLY SHUTDOWN. THIS MEANS YOU ARE DRAWING TOO MUCH AMPERAGE. RETURN UNIT TO PLACE OF PURCHASE AND UPGRADE TO NEXT AVAILABLE UNIT OFFERING HIGHER AMPERAGE. PLEASE DO NOT BYPASS OR ALTER THIS CIRCUIT AS IT IS THERE TO PROTECT YOU. ANY ALTERATION OR MISUSE WILL VOID YOUR WARRANTY.

"DANGER"

HIGH VOLTAGE

REFER TO QUALIFIED TECHNICIAN FOR SERVICE.