

PYRAMID

originals

WX-65X

WX-85X

WX-102X

WX-120X

WX-15X



About Pyramid Originals Woofer

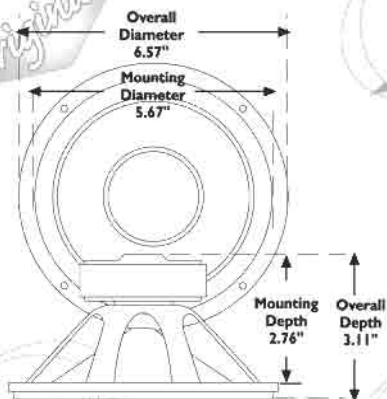
Congratulations!

You have just purchased one of our high quality Pyramid woofer. Pyramid Originals Woofer is carefully designed & manufactured for vehicle use. They could deliver consistent and high performance.

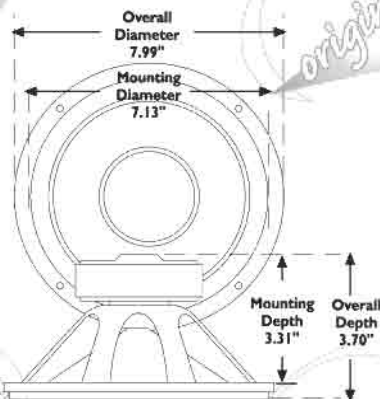
The General Features of Pyramid Originals Woofer

- White injected polypropylene cone
- Specially treated black rubber edge suspension
- Bumped yoke plate for extended excursion
- Vented motor structure
- High temperature kapton voice coil
- Heavy magnet structure
- 4 Ohm impedance

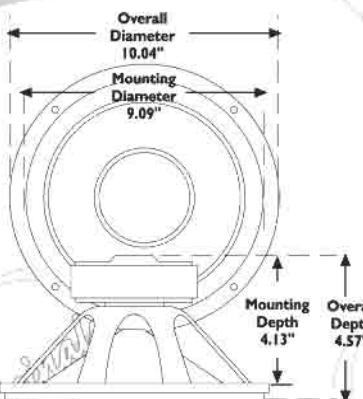
WX-65X



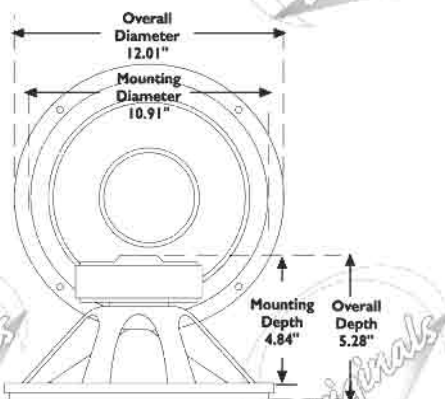
WX-85X



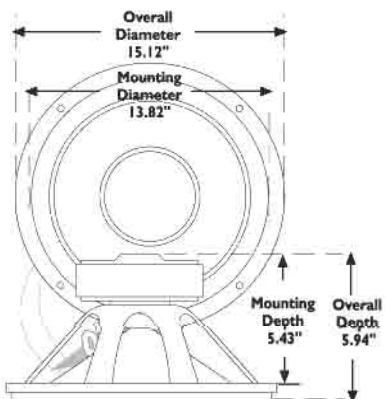
WX-102X



WX-120X



WX-15X



Performance Parameters	WX-65X	WX-85X	WX-102X	WX-120X	WX-15X
Power (Watts Peak)	300	300	400	500	600
Nom. Impedance	4	4	4	4	4
Voice Coil	1	1.5	1.5	1.5	2
Magnet Structure	40	50	70	80	100
Fs (Hz)	69.5	54.3	40.1	38.0	30.0
Qms	2.03	2.85	2.35	1.45	4.57
Qes	0.82	0.71	0.74	0.88	0.64
Qts	0.58	0.57	0.56	0.55	0.56
SPL (dB)	87.1	87.7	88.1	87.5	88.6
Vas (cu ft)	0.297	0.614	1.748	1.812	3.973

Originals continually strives to improve the performance and value of its products - all specifications are subject to change.

Learn more about subwoofers and boxes we have.