

Installation Instructions

2018+ Jeep Wrangler JL
& Jeep Wrangler JLU



I-BT-04

California Brief Top™

90435 & 91435

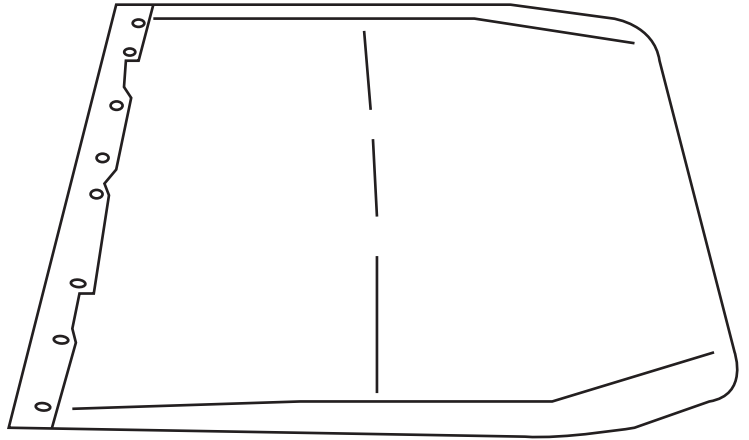
Pre-Installation Requirements



- For correct installation, mounting surface of part should be between 70-95° F (21-35° C) prior to installation
- Remove existing hard or soft top. For OEM (original/factory) soft tops, also remove: Windshield header channel, Tube hardware, side door surrounds can be used if wanted. Brief Top works with or without door surrounds.

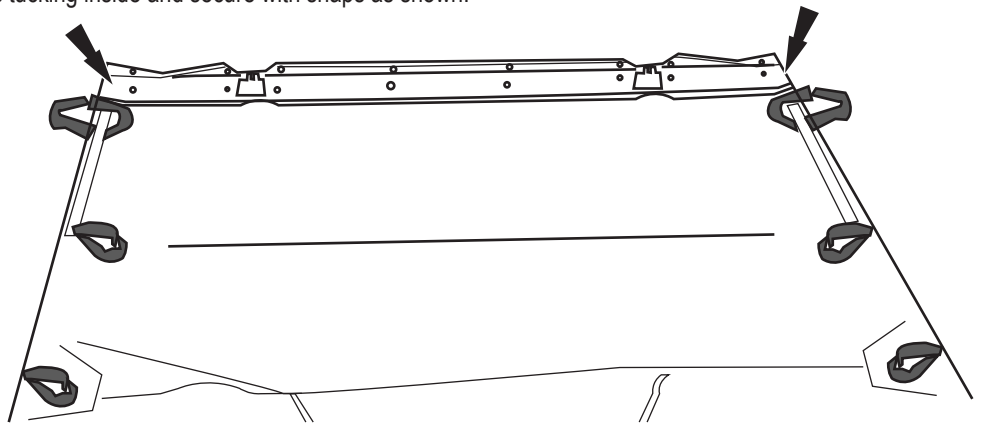
Installation Steps

Unfold your new California Brief Top™ and lay onto a flat surface.



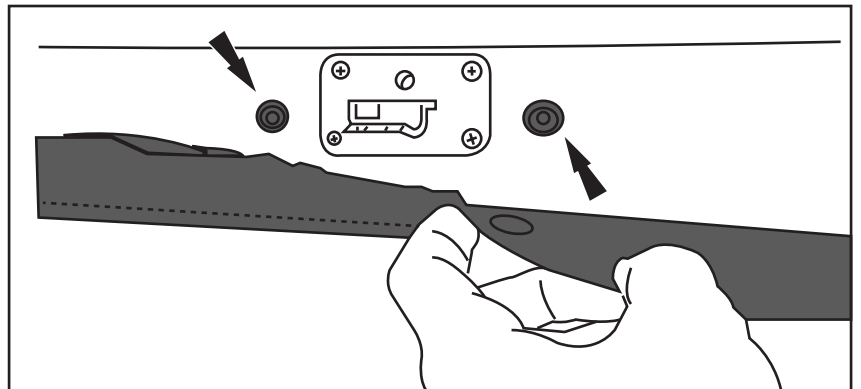
1

Lay the header channel on top of the fabric tucking inside and secure with snaps as shown.



2

Secure with snaps as shown.

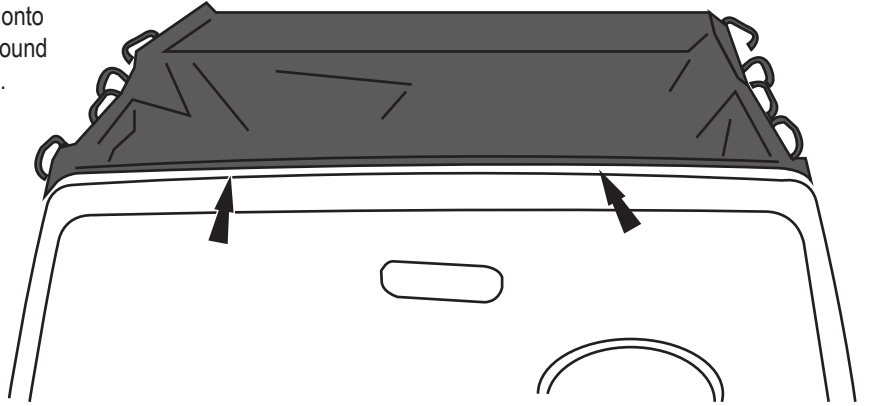


3

Installation Steps

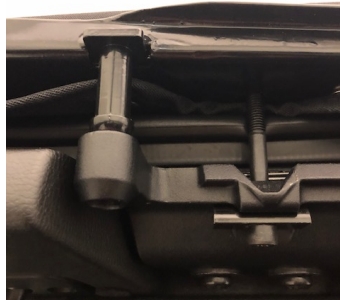
NOTE: Actual application may vary slightly from illustrations.

Place the top onto the vehicle. Placing header channel onto windshield front. Unfold the cover fabric then pull over sound bar and roll cage, working toward the rear of the vehicle.



4

Attach the windshield header to the windshield using the bolt and curved washer provided.



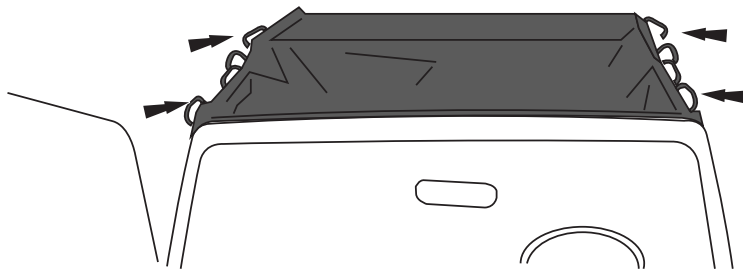
5

Pull the top all the way back and attach the rear strap to the hole in the back of the roll bar. Tighten the strap until snug.



6

Open all doors. Attach the hook and loop straps around the roll bar to secure the brief to the vehicle. Attach the two middle straps together behind the window pillar as shown in the picture.



7

Care and Cleaning

- Wash only with mild soap & dry with a clean cloth.
- Do not use cleaning solvents of any kind.

Congratulations!

Your new California Extended Brief Top™ is installed! Now go enjoy the ride.

Thank you for purchasing one of the many quality Rampage® products offered by Lund International. We take the ultimate pride in our products and hope you receive years of satisfaction from your investment. We have made every effort to guarantee that your product is of the highest quality for fit, durability, finish, and ease of installation.



Learn more about soft tops and hard tops we have.