



# TRAILGUARD REAR BUMPER

For proper installation and best possible fit, please read all instructions BEFORE you begin.

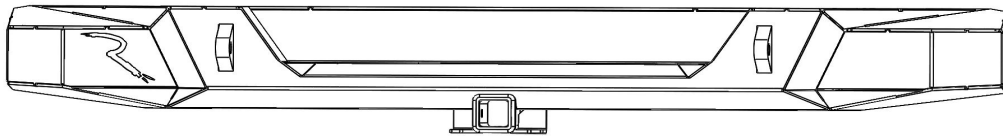
## Important Safety Information



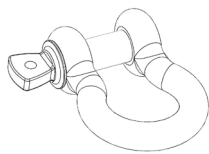
- **CAUTION** - Before driving, ensure that the bumper is properly secured to vehicle.
- Periodically check all components for tightness.
- Be sure to wear safety goggles while installing.
- When using power tools, read and understand all operating instructions.

## Contents

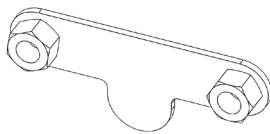
**NOTE:** Actual product may vary from illustration.



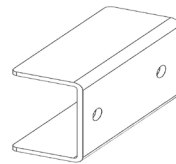
Rear Bumper (1)



D-Ring (2)



Hitch Nut Plat (2)



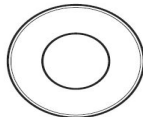
Frame Mounting Bracket (2)



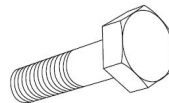
Pivot Hole Seal Cover (1)



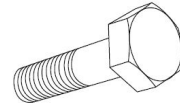
12mm  
Lock Washer (8)



12mm x 37mm OD x 3mm  
Flat Washer (8)



M12-35mm  
Hex Bolt (4)



M12-110mm  
Hex Bolt (4)

## Tools Required



Socket Wrench



Socket  
(18 & 19mm)



18mm Wrench



Safety Glasses

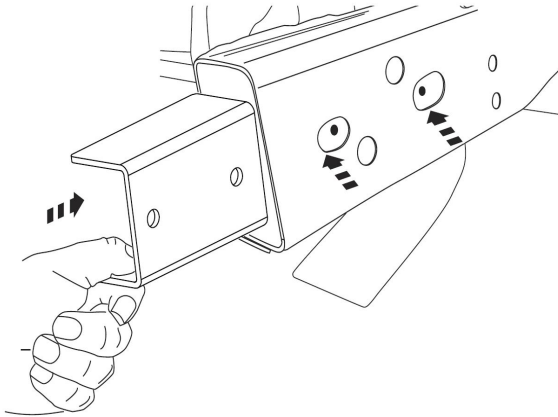
## Before Installation Remove Original Bumper

Using appropriate tools, remove the factory original rear bumper by removing all of the bolts and nuts holding the bumper to frame mount brackets. The original hardware can be discarded as the installation kit contains all new necessary attaching hardware for your Trail Guard Bumper. Note: The original third brake light assembly will be re-used later in this installation. If needed please reference original owners manual.

# Installation Steps

NOTE: Actual product may vary from illustration.

Install Frame Mounting Bracket into frame.

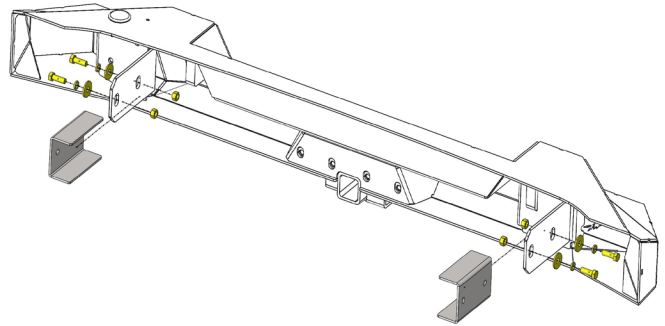


1

Lift rear bumper in place onto rear frame rails.

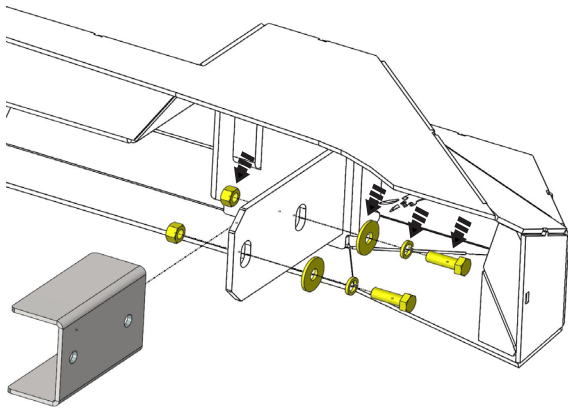


CAUTION: 2 Person lift



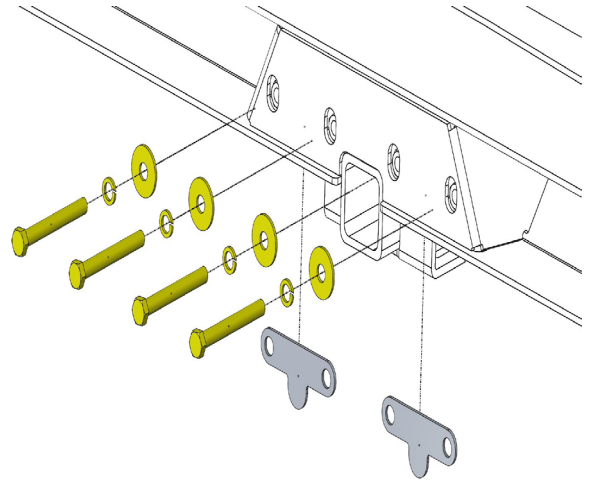
2

Using (2) M12\_35 Hex Bolts with (2) Lock Washers and (2) Flat Washers to install bracket.  
Repeat for other side  
Note: Install indicated components first on both sides.



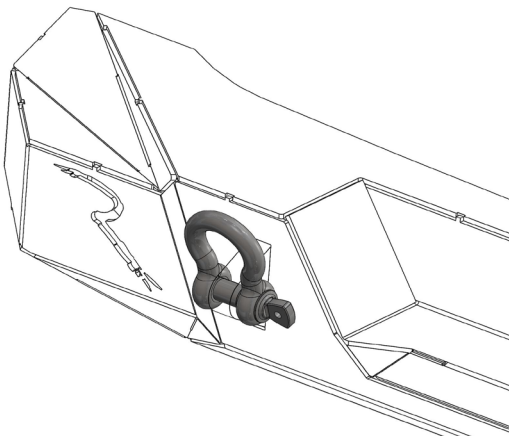
3

Using (4) 12-110mm Hex Bolts with (4) 12mm Washers and (4) 12mm-Lock Washers to install.  
Note: (2) Hit Nut Plates need to be held into place.



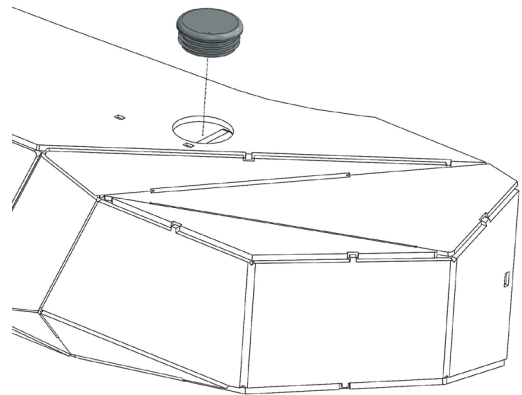
4

Install D-Rings onto both sides.



5

Install Pivot Hole Seal Cover.



6

## Care and Cleaning

- Rampage parts are built to last. Use mild soap and dry clean cloth to wash your TRAILGUARD REAR BUMPER.
- Do not use any harsh abrasive detergents or cleaning solvents of any kind.
- Periodically check and lubricate moving parts.

## Congratulations!

You have purchased one of the many quality Rampage branded products offered by Lund International, Inc. We take the utmost pride in our products and want you to enjoy years of satisfaction from your investment. We have made every effort to ensure that your product is of the highest quality for fit, durability, finish, and ease of installation.

