


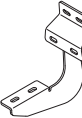

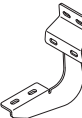




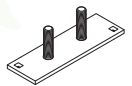
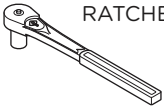
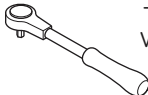



BRACKET KIT INSTALLATION

SKU# WS-0301-BK



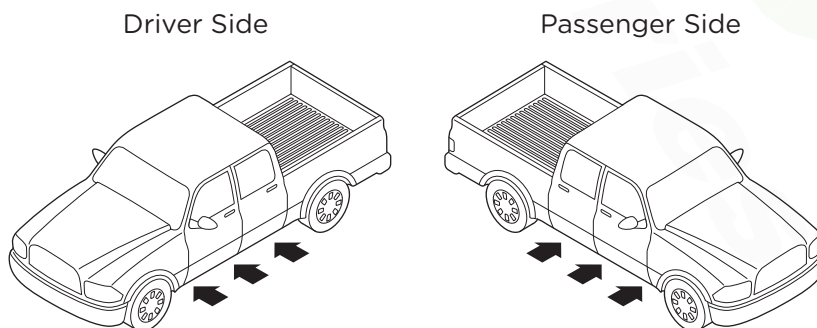
COMPONENTS		HARDWARE
<p>DRIVER SIDE</p> <p>Qty: 1 Front Bracket</p>  <p>Qty: 1 Center Bracket</p>  <p>Qty: 1 Rear Bracket</p> 	<p>PASSENGER SIDE</p> <p>Qty: 1 Front Bracket</p>  <p>Qty: 1 Center Bracket</p>  <p>Qty: 1 Rear Bracket</p> 	<p>Qty: 30 M8 Flat Washers</p>  <p>Qty: 30 M8 Lock Washers</p>  <p>Qty: 30 M8 Hex Head Nuts</p>  <p>Qty: 18 Plastic Washers</p>  <p>Qty 6 M8 Bolt Plate</p> 
TOOLS REQUIRED		INSTALLATION NOTES
 RATCHET	 TORQUE WRENCH	TORQUE NOTE: Bolts and nuts should be torqued to 15-20 ft lbs.
	 13MM SOCKET	NOTE: Hardware for Bracket and Board Installation is included.
		NOTE: Some spare hardware may be included.

Remove all contents from the package and check brackets for any damage. Also, verify that all components and hardware listed above are included before you begin installation. If anything is missing or damaged please contact us at customerservice@cyc-engineering.com

Read through entire installation manual and installation drawings to ensure that you understand all of the components and hardware before proceeding with installation.

NOTE: When installing the brackets, all hardware must be left loose until all of the items are attached.

Locate factory hole locations in three (3) places per side on the body mount.

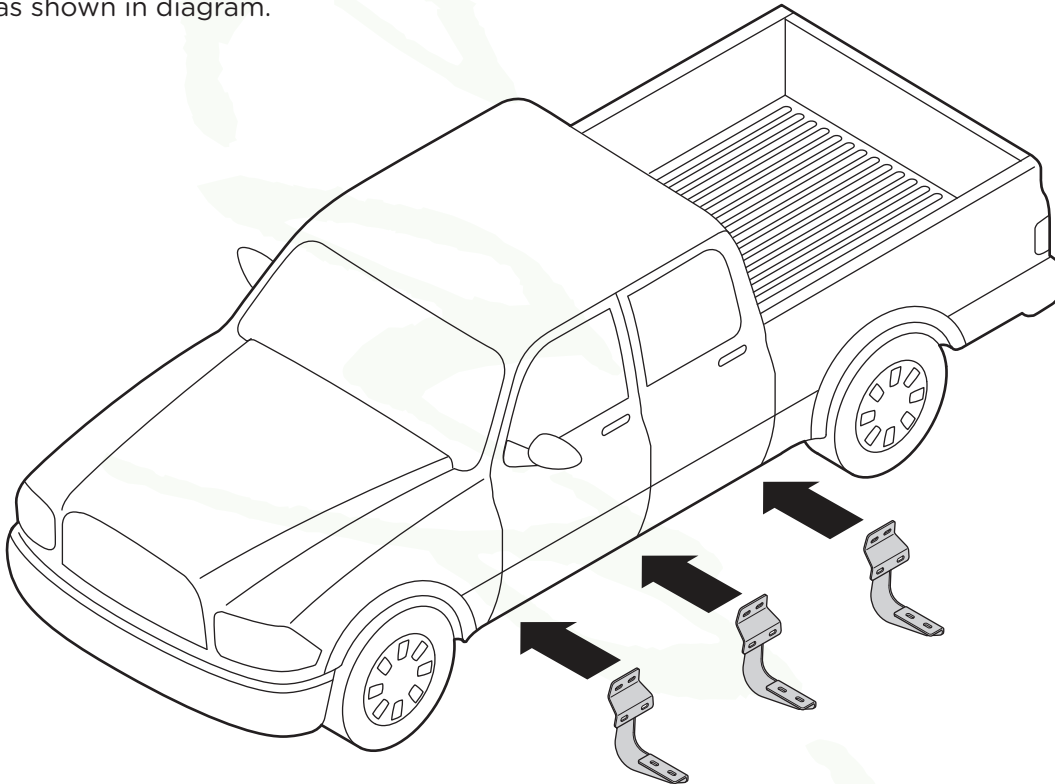


BRACKET KIT INSTALLATION

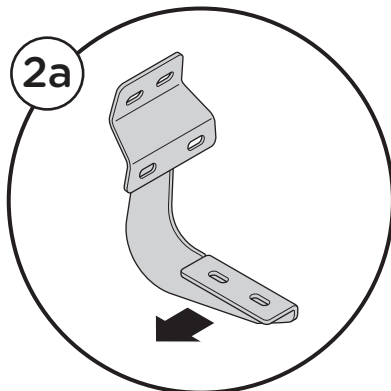
SKU# WS-0301-BK

Raptor
Series

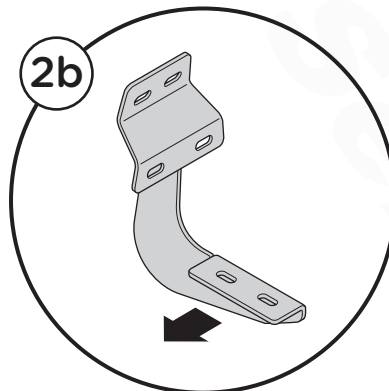
1. Begin installation on driver side. Position the Front Bracket, Center Bracket and Rear Bracket as shown in diagram.



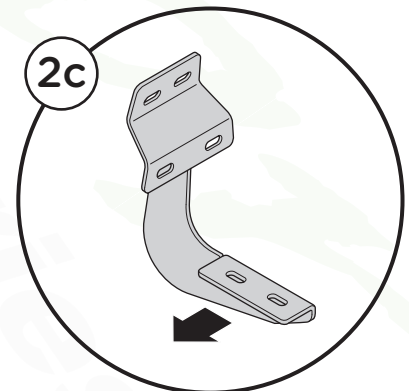
2. Driver Side Front Bracket cradle (2a), Driver Side Center cradle (2b) and Rear Bracket cradle (2c) will face toward the front of the truck. On the Passenger Side the cradles will face the rear of the vehicle.



Driver Side
Front Bracket



Driver Side
Center Bracket



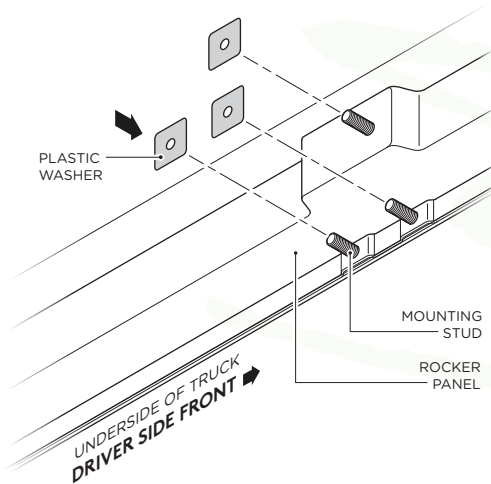
Driver Side
Rear Bracket

BRACKET KIT INSTALLATION

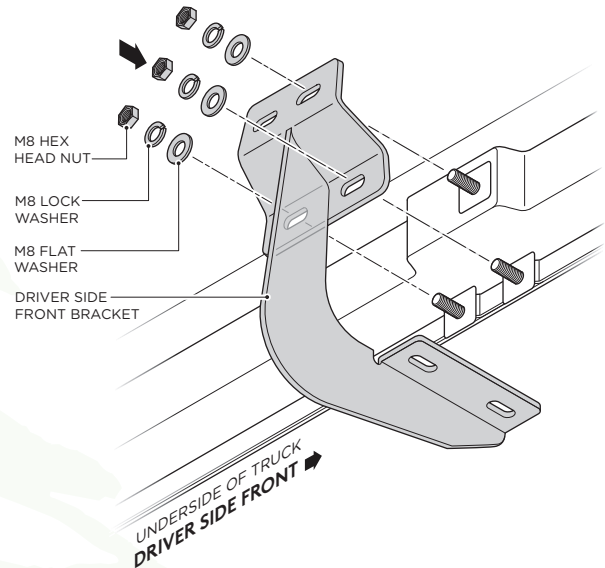
SKU# WS-0301-BK

Raptor
Series

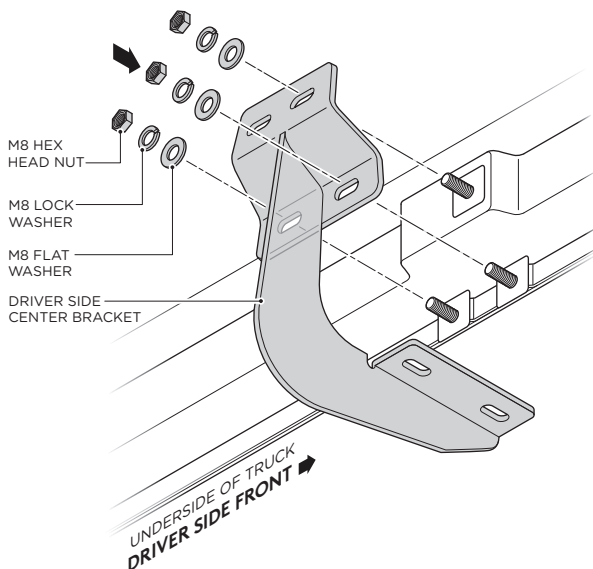
- 3.** Locate the three existing Mounting Studs located on the interior wall of the Rocker Panel. Place (1) Plastic Washer onto each Mounting Stud to prevent corrosion caused by aluminum to steel contact. Repeat for all bracket locations.



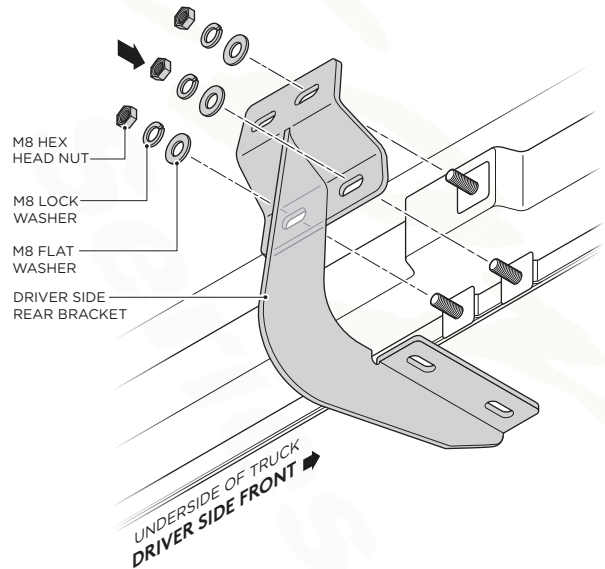
- 4.** Fasten the top portion of the Driver Side Front Bracket by using (3) M8 x 30MM Hex Head Nuts, (3) M8 Flat Washers and (3) M8 Lock Washers.



- 5.** Fasten the top portion of the Driver Side Center Bracket by using (3) M8 x 30MM Hex Head Nuts, (3) M8 Flat Washers and (3) M8 Lock Washers.



- 6.** Fasten the top portion of the Driver Side Rear Bracket by using (3) M8 x 30MM Hex Head Nuts, (3) M8 Flat Washers and (3) M8 Lock Washers.

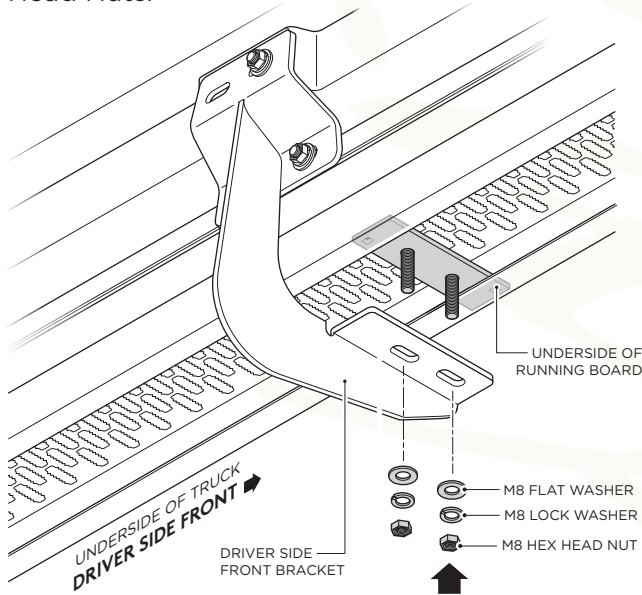


RUNNING BOARD INSTALLATION

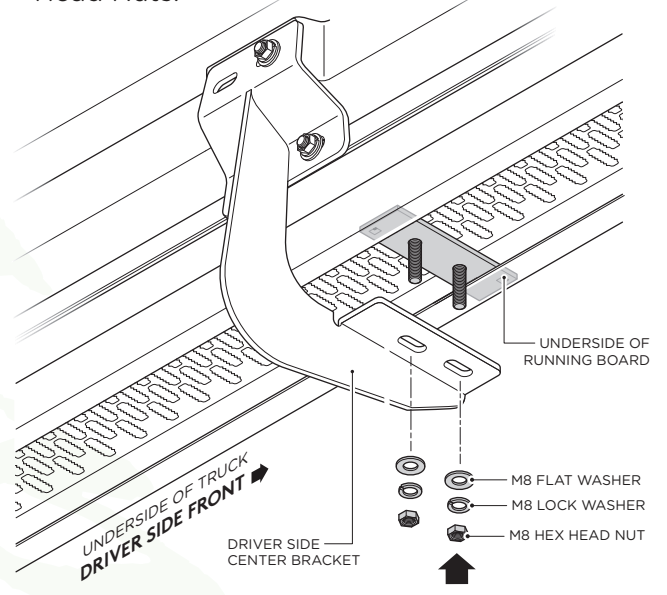
SKU# WS-0301-BK

Raptor
Series

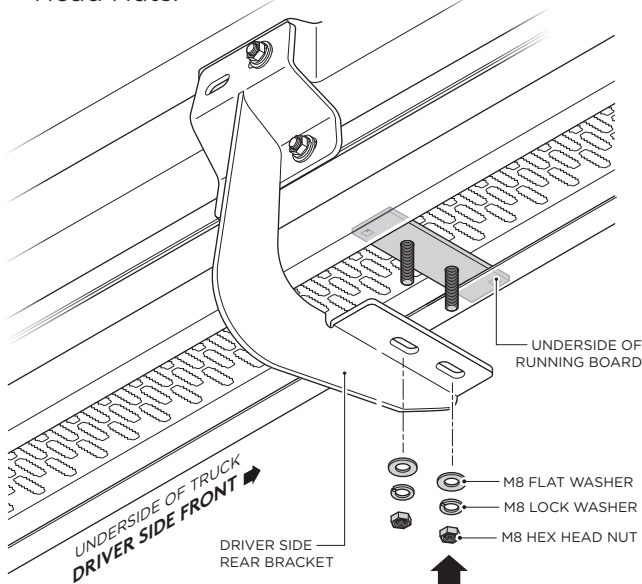
7. Insert M8 Bolt Plate into bottom of the Running Board as shown, then fasten the to the Driver Side Front Bracket cradle by using (2) M8 Flat Washers, (2) M8 Lock Washers and (2) M8 Hex Head Nuts.



8. Insert M8 Bolt Plate into bottom of the Running Board as shown, then fasten the to the Driver Side Center Bracket cradle by using (2) M8 Flat Washers, (2) M8 Lock Washers and (2) M8 Hex Head Nuts.



9. Insert M8 Bolt Plate into bottom of the Running Board as shown, then fasten the to the Driver Side Rear Bracket cradle by using (2) M8 Flat Washers, (2) M8 Lock Washers and (2) M8 Hex Head Nuts.



9. The installation on the Driver Side is now complete. Repeat all previous steps on the passenger side of the vehicle.