

# Wireless Backup Camera System With 7" Dual Screen Display

## RVS-2CAM

REAR VIEW  
**SAFETY**  
A Safe Fleet Brand



\*SHOWN WITH WIRELESS BACKUP CAMERA  
(ALSO AVAILABLE WITH WIRELESS SIDE CAMERA)



Our Wireless Camera System with Dual Screen Display comes with a digital wireless connection and a split screen monitor to view two cameras at the same time. With this new wireless technology, we guarantee no interference for up to 70ft! The monitor is a 7" TFT LCD color display, comes with distance grid lines and has the ability to view one camera full screen or two with a split screen. The wireless backup camera is completely waterproof, boasts a 130° viewing angle, a Sharp® CCD High Definition lens and 9 infra-red night vision lights which enable you to see in total darkness. The Auto Pair function lets you pair the system without leaving your cab, making this camera system perfect for truck and trailer applications.

# Wireless Backup Camera System With 7" Dual Screen Display

## RVS-2CAM

**REAR VIEW  
SAFETY**

A Safe Fleet Brand

- 7" DIGITAL TFT LCD Color monitor with mirror image capability
- 1/4 Sharp® color CCD, 250k pixels, 2.1 mm wide lens with 130° angle
- Shock resistant with a 20G Vibration and 100G impact rating
- Digital wireless connectivity between devices



\*SHOWN WITH OPTIONAL WIRELESS SIDE CAMERA



### MONITOR SPECIFICATIONS

MONITOR TYPE	TFT LCD
SCREEN SIZE	7"
DOT RESOLUTION	800 X 3 (RGB) X 480
DISPLAY FORMAT/CONTRAST	16:9 / 500:1
DISPLAY BRIGHTNESS	400CD/m <sup>2</sup>
VIEWING ANGLE	U:50° D:60° L/R:70°
VIDEO INPUT	2 CHANNEL
VIDEO SOURCE	1VP-P, 75Ω
POWER SUPPLY	DC 12V-24V (+/- 10%)
POWER CONSUMPTION	5W
OPERATING TEMPERATURE	-30°C ~ +80° C
VIDEO SYSTEM	AUTO NTSC/PAL
OVERALL DIMENSIONS	7" (L) X 5" (H) X 1" (D)
WEIGHT	400G
VIBRATION RATING	5G
DOT PITCH	0.192 (H) X 0.1805 (V)
SYNC SYSTEM	INTERNAL

### BACKUP CAMERA CAMERA SPECIFICATIONS

CAMERA TYPE	1/4" SHARP® COLOR CCD
PICTURE ELEMENTS	250,000 PIXELS
GAMMA CORRECTION	R=0.45 TO 1.0
VIEWING ANGLE	130°
IMAGE SENSOR	540 TV LINES
	PAL: 752 (H) X 582 (V)
	NTSC: 769 (H) X 494 (V)
LENS	2.1MM
WATERPROOF RATING	IP68
VIEW ANGLE	130°
SYNC SYSTEM	INTERNAL SYNCHRONIZATION
INFRA-RED DISTANCE	50 FEET (9 INFRARED)
USABLE ILLUMINATION	0 LUX (IR ON)
POWER SOURCE	DC 12V/3A (+/- 10%)
S/N RATIO	MORE THAN 48DB
ELECTRONIC IRIS	1/50, 160-1/100,000SEC
VIDEO OUTPUT	1VP-P 75OHM
IR SWITCH CONTROL	ACDS AUTOMATIC CONTROL
VIBRATION AND SHOCK RATING	20G / 100G
OPERATING TEMPERATURE	-30°C ~ +80°C / RH 95% MAX
STORAGE TEMPERATURE	-30°C ~ +60°C / RH 95% MAX

### SIDE CAMERA CAMERA SPECIFICATIONS

CAMERA	1/4" SHARP® COLOR CCD
PICTURE ELEMENTS	250,000 PIXELS
GAMMA CORRECTION	R=0.45 TO 1.0
IMAGE SENSOR	420 TV LINES
	PAL: 500 (H) X 582 (V)
	NTSC: 510 (H) X 492 (V)
LENS	2.1MM
VIEW ANGLE	120°
SYNC SYSTEM	INTERNAL SYNCHRONIZATION
INFRA-RED DISTANCE	30 FEET (9 INFRA-RED)
USABLE ILLUMINATION	0 LUX (IR ON)
POWER SOURCE	DC 12V-24V (+/- 10%)
S/N RATIO	MORE THAN 48DB
ELECTRONIC IRIS	1/50, 160-1/100,000SEC
VIDEO OUTPUT	1VP-P 75OHM
IR SWITCH CONTROL	ACDS AUTOMATIC CONTROL
VIBRATION AND SHOCK RATING	20G / 100G
OPERATING TEMPERATURE	-30°C ~ +80°C / RH 95% MAX
STORAGE TEMPERATURE	-30°C ~ +60°C / RH 95% MAX



Wireless connectivity-Perfect for trailers.



System usually outlives the vehicles they are mounted on



Installation Time: 1 hour



### WIRELESS BACKUP CAMERA

This CCD Color Camera is built with heavy duty zinc metal which encases the 2.1@ mm Sharp lens. It has a viewing angle of 130° and 540 TV lines, which means you get the best quality image with no blind spots. The 9 infra-red lights allow you to see up to 50 feet even in the darkest of night, and the foam around the lens guarantees no glare from these infra-reds. The camera boasts a 20G vibration rating and with an IP68 waterproof rating, it is fit to ride out any storm.



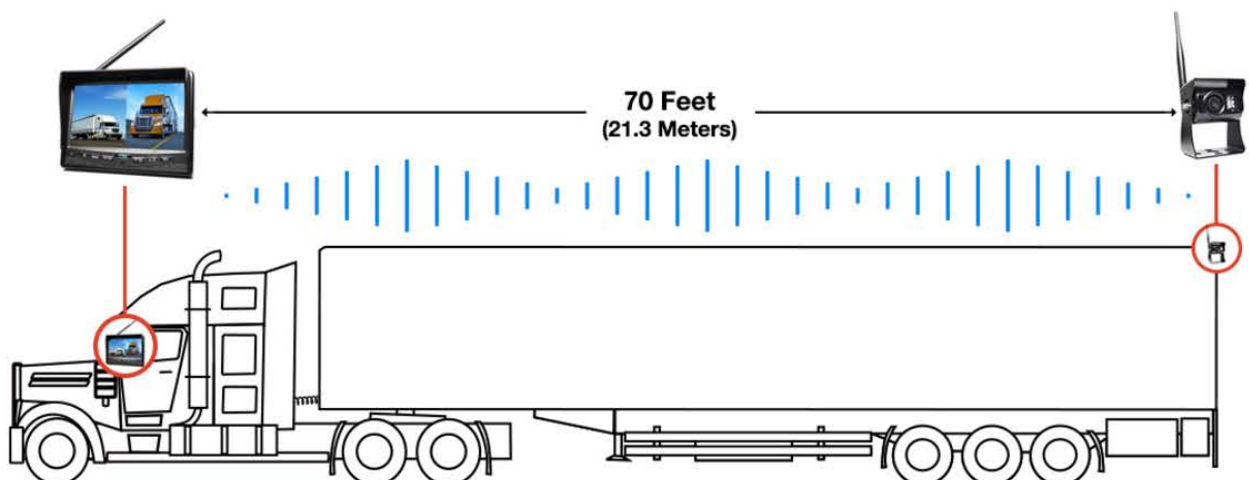
### SPLIT SCREEN WIRELESS MONITOR

Our 7" TFT LCD Color Monitor comes with a Super Sharp Digital Display and a pixel resolution of 800 X 480. It comes with a removable sunshade and distance grid lines for backing up reference. With one camera connected, the monitor can display a full screen view. With two cameras connected, you can split the screen to view both cameras simultaneously. It has built-in speakers and its menu can be navigated with the on-dash backlight illuminated buttons.

### Two Power Options for Monitor



Or



Learn more about other cameras & driver safety products by Rear View Safety on our website.