

# Wireless Backup Camera System 7" Quad View Display with Built-in DVR

REAR VIEW  
**SAFETY**  
A Safe Fleet Brand

## RVS-4CAM

\*SHOWN WITH WIRELESS BACKUP CAMERA  
(ALSO AVAILABLE WITH WIRELESS SIDE CAMERA)



Added safety, multiple configurations and easy install is what this wireless backup camera system is all about. With a quad view display, the system can connect and view simultaneously up to four cameras and can even record video footage from each camera individually! Footage records onto an SD card and loops over oldest recordings when the card gets full. Perfect for RV's, Trucks, Trailers and all commercial vehicles, this system is ahead of the game when it comes to vehicle safety.

## Monitor Specifications

Type	TFT LCD	SD Card Capacity	128GB
Screen Size	7"	Vibration/Shock Rating	20G/100G
Pixel Resolution	800 X 480	Input Voltage	DC 12V-36V
Wireless System	2.4G Digital Wireless System	Frequency	2.4GHz
Automatic Start	Yes (Can Be Turned Off)	Transport Power	10mW
Display Brightness	400cd/m <sup>2</sup>	Transmission Distance	150M (No Obstruction) 20M (Obstruction)
Video Input	4 Channel	Operating Temperature	-40°C ~ +75° C
Audio Input	1 Channel	Video System	Auto NTSC/PAL
Trigger Capacity	3 Triggers		

**Wireless Backup Camera System  
7" Quad View Display with Built-in DVR  
RVS-4CAM**



**Backup Cam Specifications**

Camera	1/4" Sharp® Color CCD
Picture Elements	250,000 pixels
Gamma Correction	r=0.45 to 1.0
Image Sensor	540 TV lines, PAL: 752 (H) x 582 (V), NTSC: 769 (H) x 494 (V)
Lens	2.1mm
Waterproof Rating	IP68
View Angle	130°
Sync System	Internal Synchronization
Infra-red distance	50 Feet (9 Infrared)
Usable Illumination	0 Lux (IR On)
Power Source	DC 12V/3A (+/- 10%)
S/N Ratio	More than 48dB
Electronic Iris	1/50, 160-1/100,000sec
Video Output	1Vp.p 75ohm
IR Switch Control	ACDS Automatic Control
Vibration & Shock Rating	20G / 100G
Operating Temperature	-30°C ~ +80°C / RH 95% Max
Storage Temperature	-30°C ~ +60°C / RH 95% Max

**Side Cam Specifications**

Camera	1/4" Sharp® Color CCD
Picture Elements	250,000 pixels
Gamma Correction	r=0.45 to 1.0
Image Sensor	420 TV lines, PAL: 500 (H) x 582 (V), NTSC: 510 (H) x 492 (V)
Lens	2.1mm
View Angle	120°
Sync System	Internal Synchronization
Infra-red distance	30 Feet (9 Infrared)
Usable Illumination	0 Lux (IR On)
Power Source	DC 12V-24V (+/- 10%)
S/N Ratio	More than 48dB
Electronic Iris	1/50, 160-1/100,000sec
Video Output	1Vp.p 75ohm
IR Switch Control	ACDS Automatic Control
Vibration and Shock Rating	20G / 100G
Operating Temperature	-30°C ~ +80°C / RH 95% Max
Storage Temperature	-30°C ~ +60°C / RH 95% Max



**QUICK FACT**

Wireless connectivity-Perfect for trailers.



System usually outlives the vehicles they are mounted on



Installation Time: 1 hour



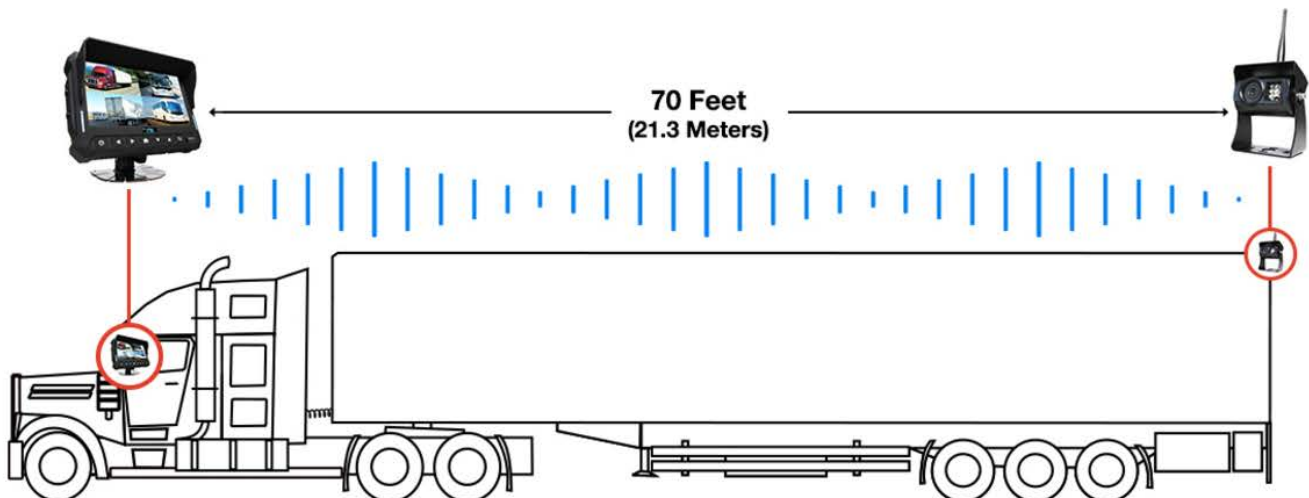
### WIRELESS BACKUP CAMERA

This CCD Color Camera is built with heavy duty zinc metal which encases the 2.1 mm Sharp® lens. It has a viewing angle of 130° and 540 TV lines, which means you get the best quality image with no blind spots. The 9 infra-red lights allow you to see up to 50 feet even in the darkest of night and the foam around the lens guarantees no glare from these infra-reds. The camera boasts a 20G vibration rating and with an IP68 weatherproof rating, it is fit to ride out any storm.



### WIRELESS 7" QUAD VIEW MONITOR WITH DVR

Our Wireless 7" TFT LCD Quad View Color Monitor comes with a Super Sharp Digital Display and a pixel resolution of 800 X 480. The monitor comes with a built-in DVR allowing you to record all camera views and its SD card slot can hold up to 128GB SD cards. The distance grid lines that come standard with this monitor are optional and adjustable. Boasting a wireless distance of 70 feet, this monitor can also record each camera individually.



Learn more about other cameras & driver safety products by Rear View Safety on our website.