

RECON High-Intensity Strobe Light Kit Installation Guide

Part # 26419
90-Watt 4-Bulb Professional Xenon Clear Strobe Light Kit w/
6-Outlet Heavy-Duty Plug-N-Play Power Supply



Safety First

The Strobe Power Supply can be installed in many different types of vehicles. Important information is contained herein that could prevent serious injury or damage; the installer must read this manual completely before installation.

- Proper installation of this product requires the installer to have a good understanding of automotive electronics.
- When drilling holes, the installer MUST check both sides of the mounting surface to be sure that no vital vehicle components/parts could be damaged.
- Do not install where it'll interfere with the air bag. Refer to your vehicle owner's manual for the air bag deployment area. The User/Installer assumes full responsibility to determine proper mounting location, based on providing ultimate safety to all passengers inside the vehicle.
- For this product to operate at optimum efficiency, a good electrical connection to chassis ground must be made. The recommended procedure requires the product ground wire to be connected directly to the NEGATIVE (-) battery post.
- If this product uses a remote device to activate or control this product, make sure that this control is located in an area that allows for easy and safe operation in any driving condition.
- It is recommended that this manual be stored in a safe place and referred to when performing maintenance and/or reinstallation of this product.

FAILURE TO FOLLOW THESE SAFETY PRECAUTIONS AND INSTRUCTIONS COULD RESULT IN DAMAGE TO THE PRODUCT OR VEHICLE AND/OR SERIOUS INJURY TO YOU AND YOUR PASSENGERS!

I. Mounting Power Supply. Mount on metal surface for heat dissipation and ensure that it's not exposed to water and to potential damage from loose equipment.

Warning: This is a high voltage device, do not touch or remove strobe light head while in operation. Wait at least 10 minutes after disconnecting from its power source before starting work or troubleshooting.

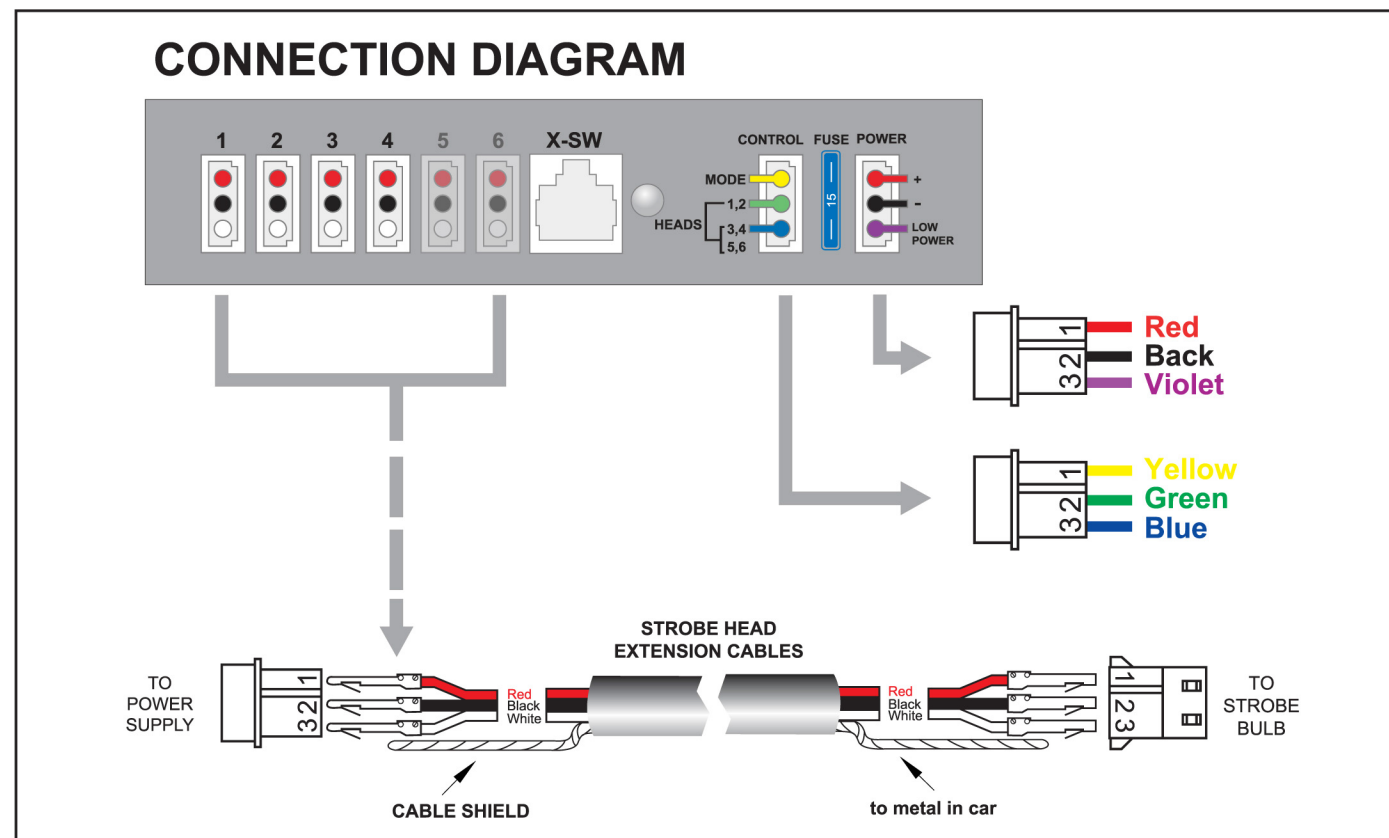
II. Installing Strobe Heads. Install in head lights, tail lights or signal lights by drilling 1 inch holes. Route the extension cables from the Strobe Heads to the Power Supply.

Note: for 4 Outlet Power Supply: Heads 1,3 alternate 2,4
for 6 Outlet Power Supply: Heads 1,3,5 alternate 2,4,6

III. Wiring Power Harness. Connect **RED** wire to battery (+) or a fuse (at least 15Amps); connect **BLACK** wire to battery (-) or directly to vehicle chassis. Connect **VIOLET** (HI/LO) wire to the user-supplied switch for High/Low Power function. Otherwise leave disconnected or connect to GROUND for High Power mode.

Warning: All user-supplied wires that connect to the positive (+) terminal of the battery, must be sized to supply at least 125% of the maximum operating current, and fused "at the battery" to carry the load!

Note: Use the correct size wire for power connections. The length of the wires determines the size needed.
1 to 7 ft. use 18AWG wire.
7 to 14 ft. use 16AWG wire.
14 to 25 ft. use 14AWG wire.
25 to 35 ft. use 12AWG wire.



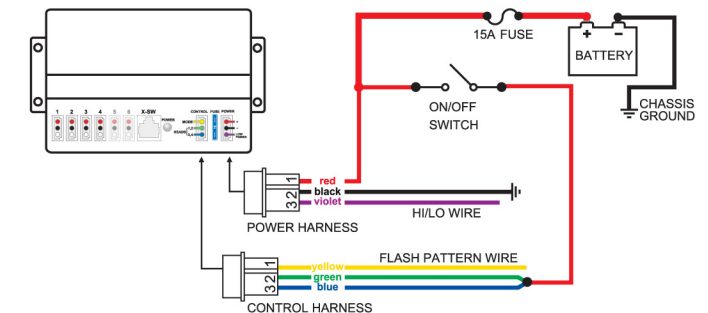
IV. Wiring Control Harness. The **YELLOW** wire is for flash pattern selection; momentarily apply +voltage to change to the next flash pattern. Momentarily apply for 2 seconds to change to the previous pattern. Momentarily apply for 5 seconds to reset to FP#0.

FP#	FLASH PATTERN
0	DEMO
1	QUAD
2	QUINT
3	DOUBLE
4	TWIN DOUBLE
5	MEGA
6	QUINT MEGA
7	DOUBLE QUINT
8	DOUBLE DELAY
9	SINGLE H/L
10	WAVE
11	SINGLE-TRIPLE-QUINT
12	SINGLE-QUAD
13	DUAL: QUINT
14	DUAL: SINGLE-TRIPLE-QUINT
15	DEF JAM MODE

When **GREEN & BLUE** wires are connected to +voltage:
 • for 4 Outlet Power Supply: The **GREEN** wire activates heads 1,2. The **BLUE** wire activates heads 3,4.
 • for 6 Outlet Power Supply: The **GREEN** wire activates heads 1,2. The **BLUE** wire activates heads 3,4,5,6.

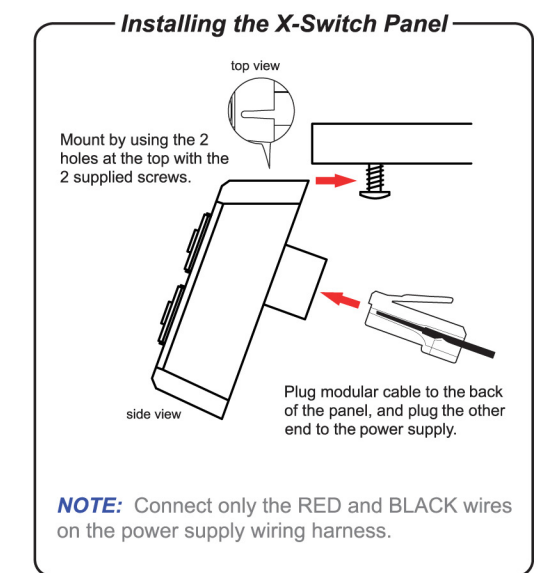
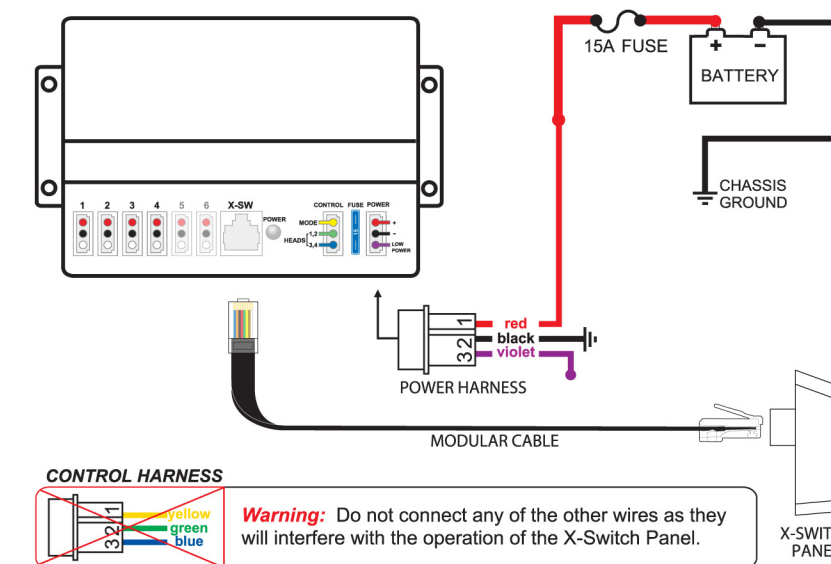
V. Wiring Control to an ON/OFF switch.

Connect **GREEN** and **BLUE** wires to the switch. Then pre-select flash pattern by touching **YELLOW** wire to **RED** wire (+voltage). Once flash pattern is selected, connect **YELLOW** to ground. This will be the flash pattern in use when the strobes are switched on.



NOTE: Additional ON/OFF switch can be added to enable other functions such as HI/LO power function.

VI. Wiring Control to X-Switch Panel (sold separately).



Warning: Do not connect any of the other wires as they will interfere with the operation of the X-Switch Panel.

