

INSTALLATION MANUAL

207750

Level of Difficulty

Easy

Parts List

#	Qty	Description
1	1	Milestone™ bumper guard
2	1	Driver / left mounting bracket
3	1	Passenger / right mounting bracket
4	2	Tow hook mounting bar
5	2	Mounting bracket spacer*
6	2	Adjustable mounting bracket
7	8	Hex bolt, M16 x 50mm
8	2	Hex bolt, M16 x 70mm
9	2	Hex bolt, M16 x 100m
10	8	Nylock nut, M16
11	18	Flat washer, M16
12	2	Lock washer, M16

*For use with an all-metal bumper

Tools Required

Ratchet	Socket, 24mm
Wrench, 24mm	--

Torque Specifications

M16 bolt	160 ft-lbs.
----------	-------------

Use above torque setting unless otherwise noted

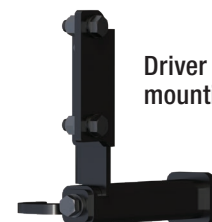
Product Photo



Brackets and Hardware



Passenger / right mounting bracket



Driver / left mounting bracket

NOTICE

Before you begin installation, read all instructions thoroughly.

Proper tools will improve the quality of installation and reduce the time required.

To help prevent damage to the product or vehicle, refer to the specified torque specifications when securing hardware during the installation process.

Maintenance

To protect the product, wax after installing. Regular waxing is recommended to add a protective layer over the finish. Do not use any type of polish or wax that may contain abrasives that could damage the finish.

For polished, gloss and other smooth finishes, polish may be used to clear small scratches and scuffs on the finish.

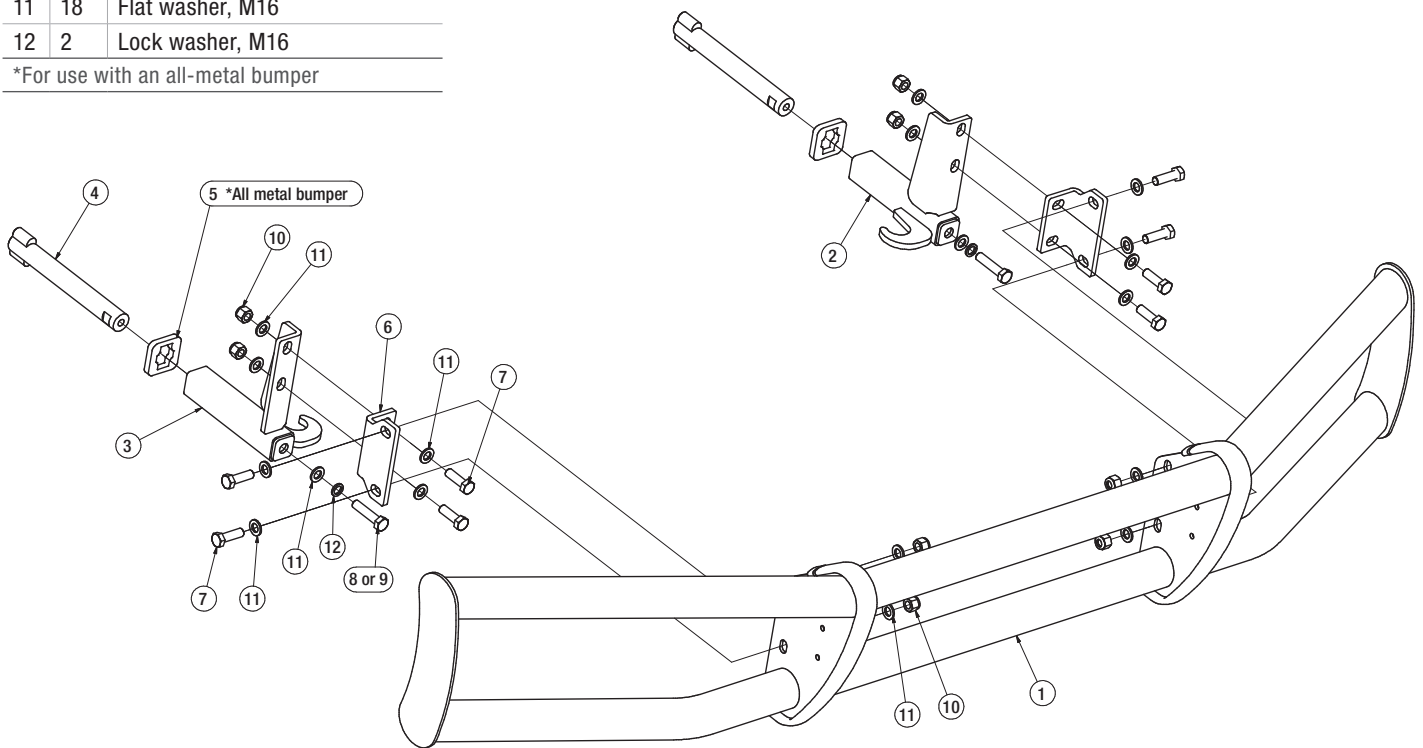
Mild automotive detergent may be used to clean the product. Do not use dish detergent, abrasive cleaners, abrasive pads, wire brushes or other similar products that may damage the finish.

ASSEMBLY

Parts List

#	Qty	Description
1	1	Milestone™ bumper guard
2	1	Driver / left mounting bracket
3	1	Passenger / right mounting bracket
4	2	Tow hook mounting bar
5	2	Mounting bracket spacer*
6	2	Adjustable mounting bracket
7	8	Hex bolt, M16 x 50mm
8	2	Hex bolt, M16 x 70mm
9	2	Hex bolt, M16 x 100m
10	8	Nylock nut, M16
11	18	Flat washer, M16
12	2	Lock washer, M16

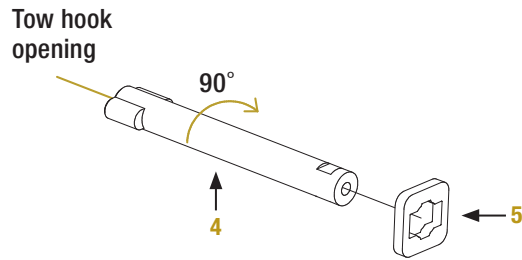
*For use with an all-metal bumper



Step 1

Insert the tow hook mounting bars (#4) into the tow hook receivers and rotate 90 degrees to lock into place.

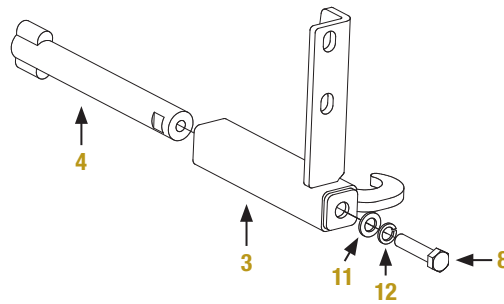
Note: If you have an all-metal bumper, use the mounting bracket spacers (#5) to prevent the brackets from interfering with the bumper.



Step 2

Slide a mounting bracket (#2, #3) over each tow hook mounting bar and secure to the tow hook mounting bar with an M16 x 70mm bolt (#8), M16 flat washer (#11) and lock washer (#12). Tighten to the torque specifications listed on page one. Keep the bracket level as the bolt is tightened.

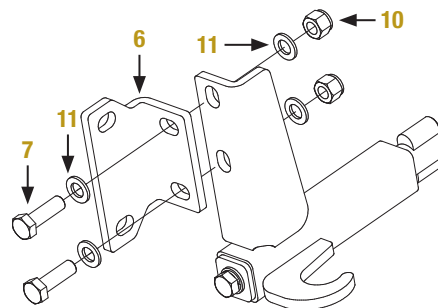
Note: If you have the all-metal bumper, use the M16 x 100mm bolt in place of the M16 x 70mm bolt.



Step 3

Secure an adjustable mounting bracket (#6) to each mounting bracket using M16 x 50mm bolts (#7), M16 flat washers (#11) and nylock nuts (#10).

Snug the hardware, but do not fully tighten.

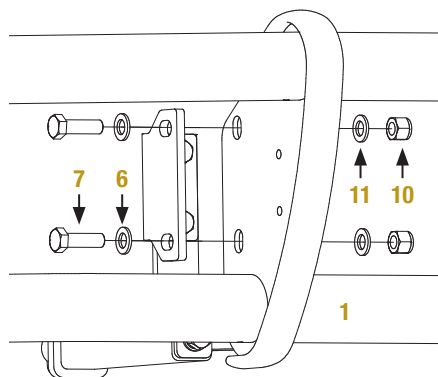


Step 4

Secure the guard (#1) onto the adjustable mounting brackets (#6) using M16 x 50mm bolts (#7), M16 flat washers (#11) and nylock nuts (#10).

Adjust the guard as needed to center on the truck. Tighten the remaining bolts to the torque specifications listed on page one.

Note: The recommended guard location is as close to the truck as brackets allow and as high up as the brackets will allow without contacting the hood when open.



Step 5

Congratulations on the installation of your new RETRAC MileStone™ bumper guard.

With the bumper guard installed, periodic inspections should be performed to ensure all mounting hardware remains tight.

To protect your investment, see the 'Maintenance' section on the first page of this installation manual.



Representative photo,
actual finish may vary