



## Rhino Rack 2500 Series - DK294

### FRONT

VEHICLE	Date	<a href="#">Crossbar</a> FRONT	Pad / Clamp FRONT RIGHT	Pad / Clamp FRONT LEFT	Foot plate arrow direction	Bar measurement strip. Length per side.	HD Crossbar distance ( x ).
Ford Ranger PX Double Cab	2011-	1375mm	M367 / SUB0146	M367 / SUB0146	OUT	<b>78mm</b>	1029mm
Ford Ranger PX Double Cab (single FRONT bar)	2011-	1375mm	M367 / SUB0146	M367 / SUB0146	OUT	<b>78mm</b>	1029mm
Ford Ranger PX Double Cab (single REAR bar)	2011-	N/A					
Mazda BT50 Dual Cab	2011-	1375mm	M367 / SUB0146	M367 / SUB0146	OUT	<b>78mm</b>	1029mm
Mazda BT50 Dual Cab (single FRONT bar)	2011-	1375mm	M367 / SUB0146	M367 / SUB0146	OUT	<b>78mm</b>	1029mm
Mazda BT50 Dual Cab (single REAR bar)	2011-	N/A					

### REAR

VEHICLE	Date	Crossbar REAR	Pad / Clamp REAR RIGHT	Pad / Clamp REAR LEFT	Foot plate arrow direction	Bar measurement strip. Length per side.	HD Crossbar distance ( x ).
Ford Ranger PX Double Cab	2011-	1375mm	M367 / SUB0145	M367 / SUB0145	OUT	<b>67mm</b>	1007mm
Ford Ranger PX Double Cab (single FRONT bar)	2011-	N/A					
Ford Ranger PX Double Cab (single REAR bar)	2011-	1375mm	M367 / SUB0145	M367 / SUB0145	OUT	<b>67mm</b>	1007mm
Mazda BT50 Dual Cab	2011-	1375mm	M367 / SUB0145	M367 / SUB0145	OUT	<b>67mm</b>	1007mm
Mazda BT50 Dual Cab (single FRONT bar)	2011-	N/A					
Mazda BT50 Dual Cab (single REAR bar)	2011-	1375mm	M367 / SUB0145	M367 / SUB0145	OUT	<b>67mm</b>	1007mm

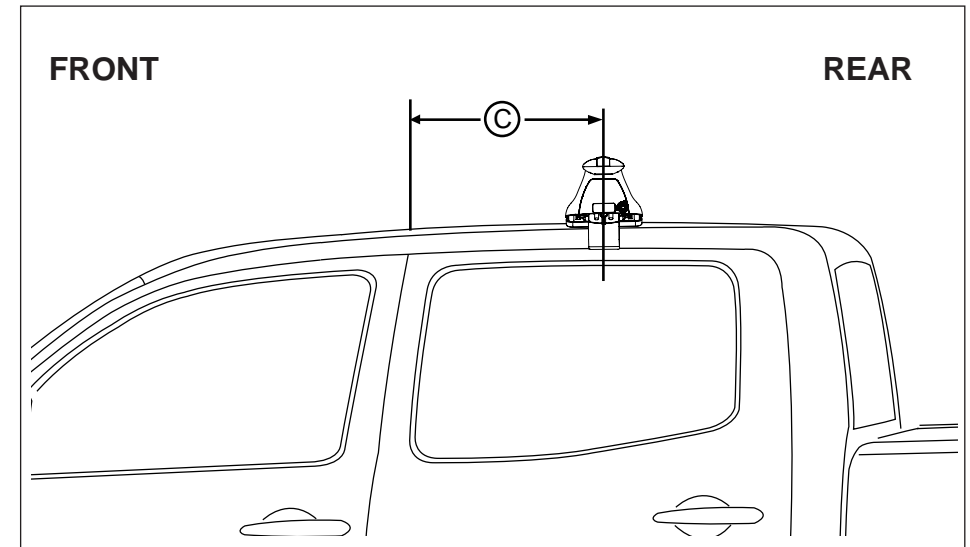
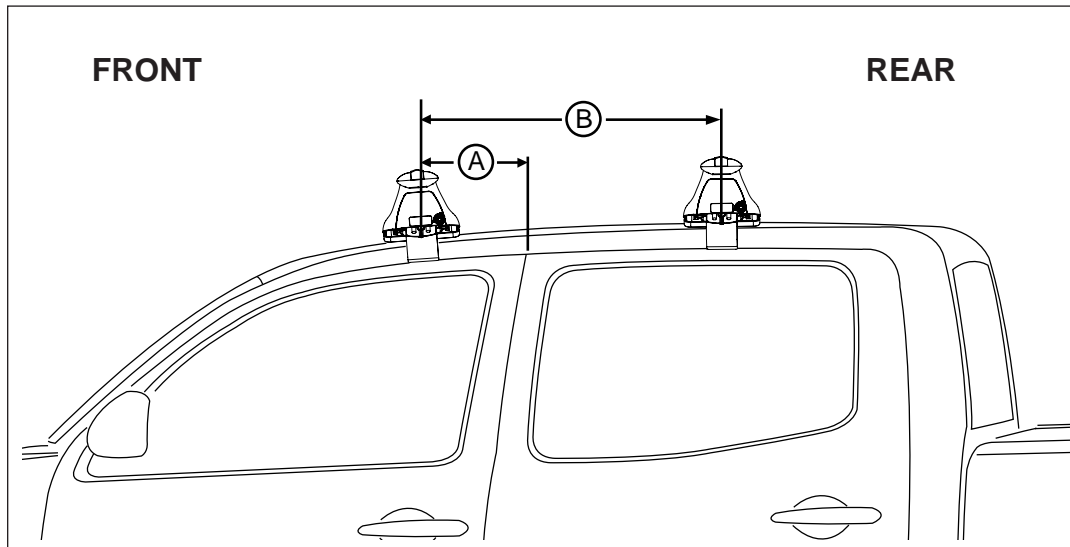


## Rhino Rack 2500 Series - DK294

**Measurement A:** CENTRE of door jamb to CENTRE arrow of leg foot plate.

**Measurement B:** CENTRE of Front leg foot plate arrow to CENTRE of Rear leg foot plate arrow.

**Carrying capacity:** Roof rack is rated to 75kg. Please refer to manufacturers handbook for your vehicles maximum roof load capacity. Always use the lower of the two figures.



VEHICLE	Date	Measurement A	Measurement B	Measurement C	Load rating (includes racks 5kg / 11lbs)
Ford Ranger PX Double Cab	2011-	200mm / 7,7/8"	800mm / 31,1/2"	N/A	<b>75kg / 165lbs</b>
Ford Ranger PX Double Cab (single FRONT bar)	2011-	200mm / 7,7/8"	N/A	N/A	<b>35kg / 77lbs</b>
Ford Ranger PX Double Cab (single REAR bar)	2011-	N/A	N/A	600mm / 23,5/8"	<b>35kg / 77lbs</b>
Mazda BT50 Dual Cab	2011-	200mm / 7,7/8"	800mm / 31,1/2"	N/A	<b>75kg / 165lbs</b>
Mazda BT50 Dual Cab (single FRONT bar)	2011-	200mm / 7,7/8"	N/A	N/A	<b>35kg / 77lbs</b>
Mazda BT50 Dual Cab (single REAR bar)	2011-	N/A	N/A	600mm / 23,5/8"	<b>35kg / 77lbs</b>