



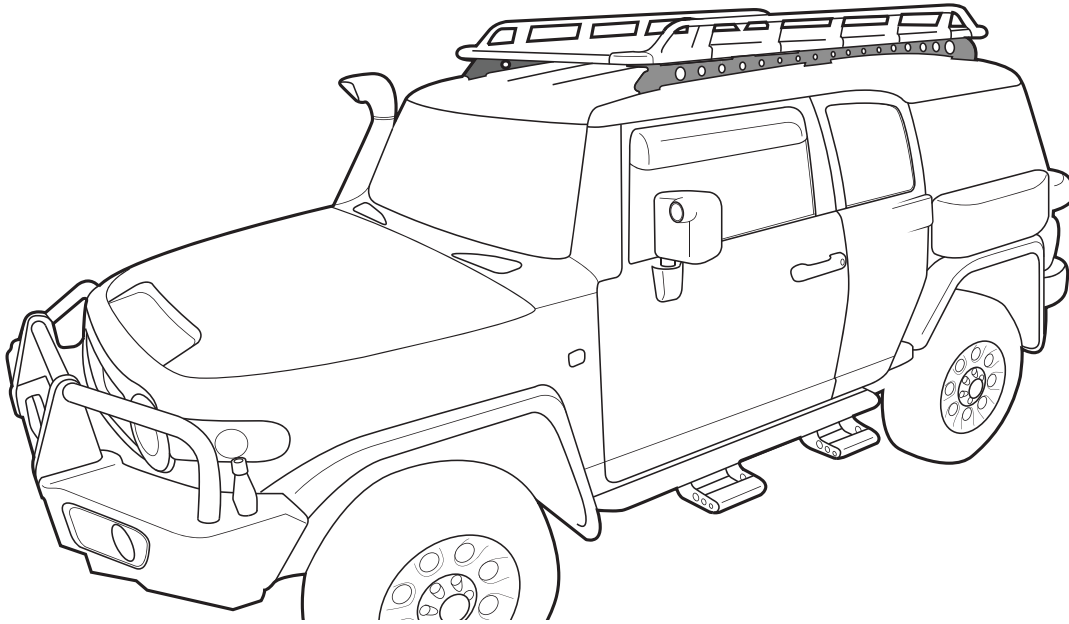
RHINO-RACK

Toyota FJ Cruiser
Backbone RFJB1

BACKBONE

Important: Please read these instructions carefully prior to installation.
Please refer to your fitting instruction to ensure that the Backbone System is installed in the correct location.
Check the contents of kit before commencing fitment and report any discrepancies.
Place these instructions in the vehicle's glove box after installation is complete.

Layout



Maximum load carrying capacity: 120kg / 265lbs

Important Information

1. Check Part No./Kit is correct
2. Read through instruction before installing
3. Fit roof rack accessory
4. Check and recheck all fasteners are secure

Maximum carrying capacity: 120kg (265lbs) including the weight of the rack system **5kg (11lbs)**. **Static carrying capacity: 360kg (800lbs)**.
Please refer to your vehicle manufacturers handbook for maximum carrying capacity. Always use the lower of the two figures. Load must be evenly distributed over the entire basket.

Warning: Do not attempt to fit the rack system to your vehicle unless you fully understand these fitting instructions. Please direct any questions regarding fitting to the dealer from where the roof racks were purchased.

Use only non-stretch fastening ropes or straps.

Recommendations: It is essential that all bolt connections be checked after driving a short distance when you first install your roof racks. Bolt connections should be checked again at regular intervals (once a week is enough, depending on road conditions, usage, loads and distances travelled). You should also check the roof racks each time they are re-fitted. Always make sure to fasten your load securely. Please also ensure that all loads are evenly distributed and that the centre of gravity is kept as low as possible and must be entirely contained within the extents of the roof racks.

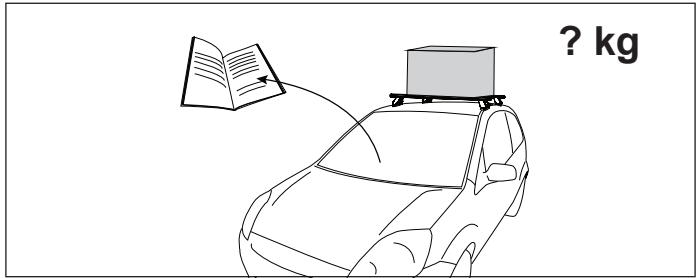
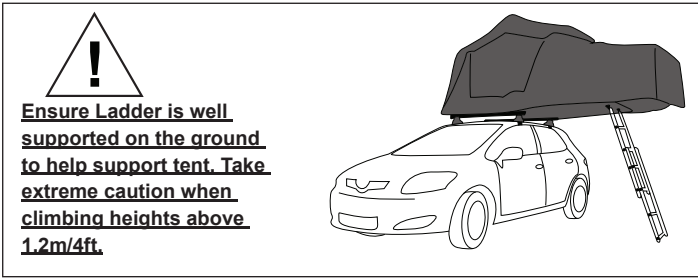
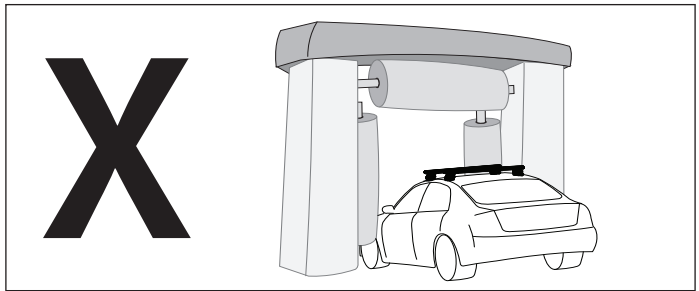
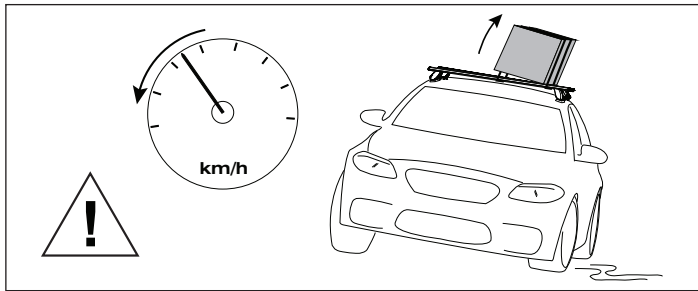
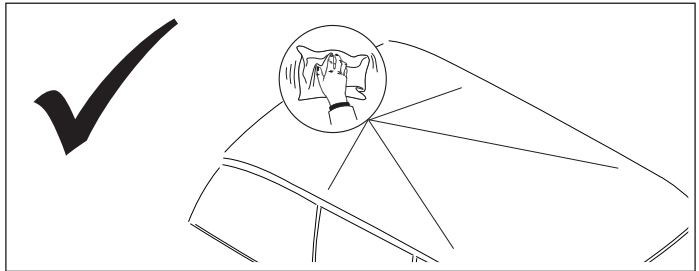
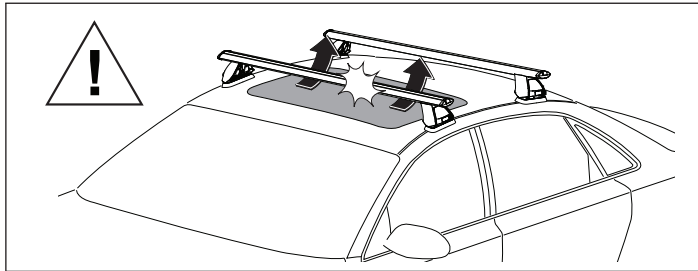
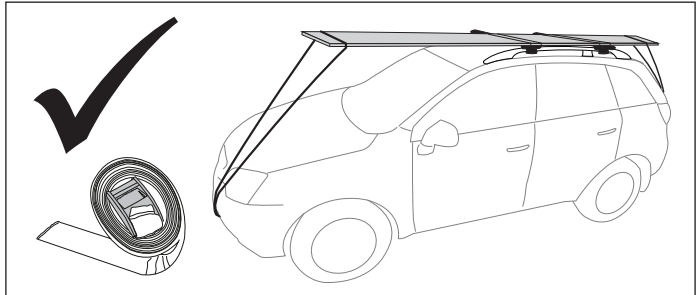
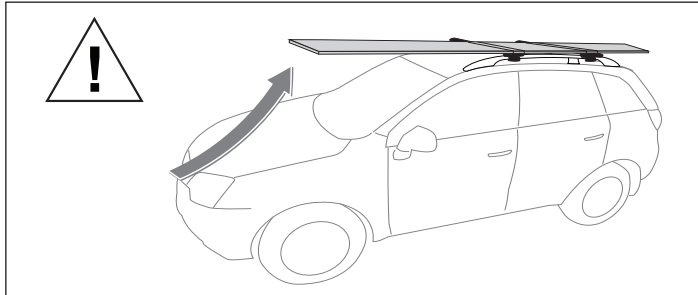
Rack System must be removed when putting vehicle through an automatic car wash.

Caution: The handling characteristics of the vehicle changes when you transport a load on the roof. For safety reasons we recommend you exercise extreme care when transporting wind-resistant loads. Special consideration must be taken into account when cornering and braking.

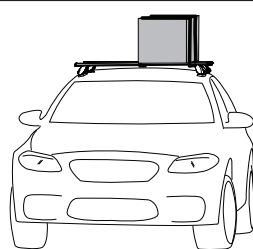


Toyota FJ Cruiser Backbone RFJB1

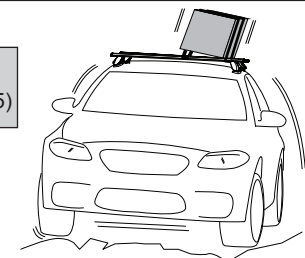
BACKBONE



When these roof racks are to be used on a vehicle that is driven off sealed roads, the maximum roof rack load rating should be **divided by 1.5**. Do not forget to subtract 5kg from your maximum carrying capacity due to the weight of the crossbars and legs.

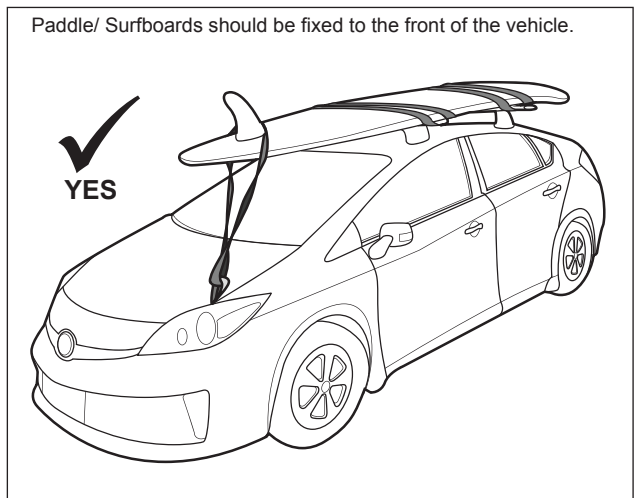


$$120\text{kg load rating (Urban road)} = 80\text{kg load rating (Off road - } 120\text{kg} / 1.5)$$



WARNING! Important Load Carrying Instructions

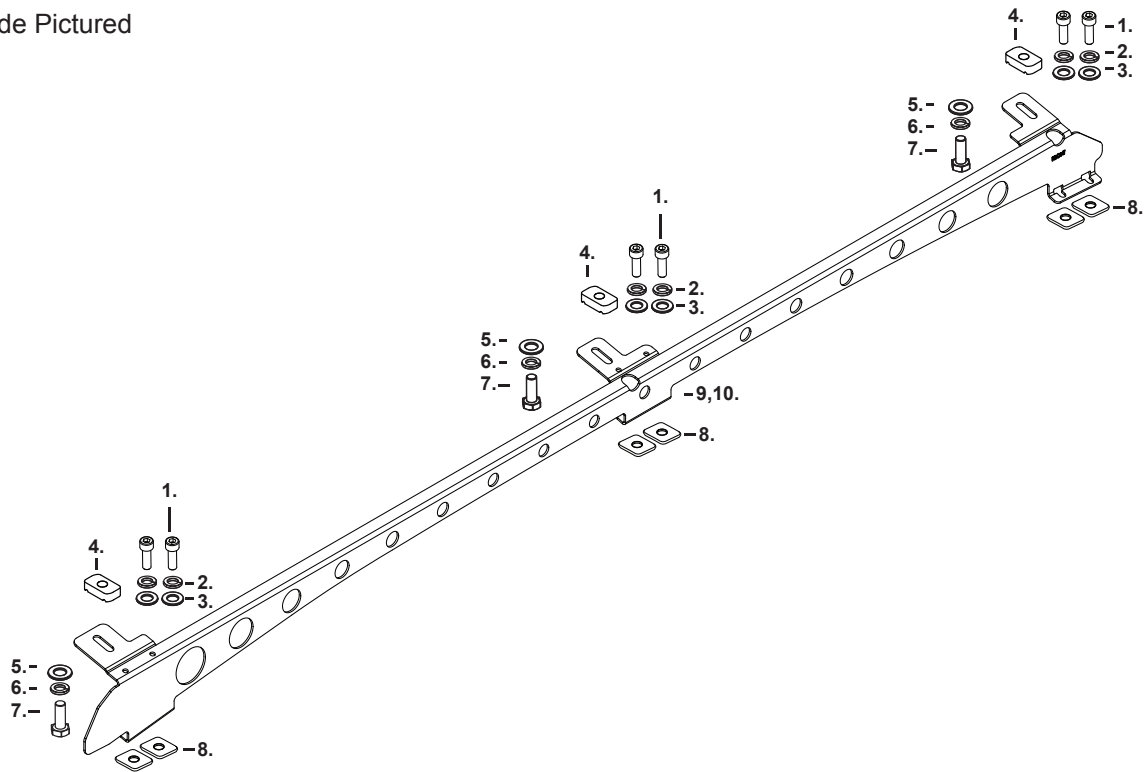
With utility vehicles, the cabin and the canopy move independently. Roofracks and vehicle can be damaged if the item transported is rigidly fixed at points on both the cabin and canopy. Instead, rigidly fix to either the cabin roofracks or the canopy roofracks.





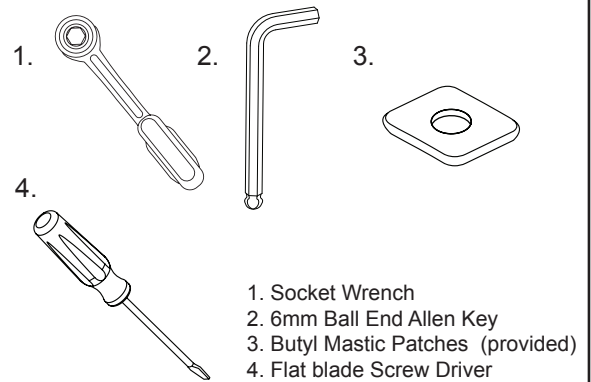
Parts List

Right Side Pictured



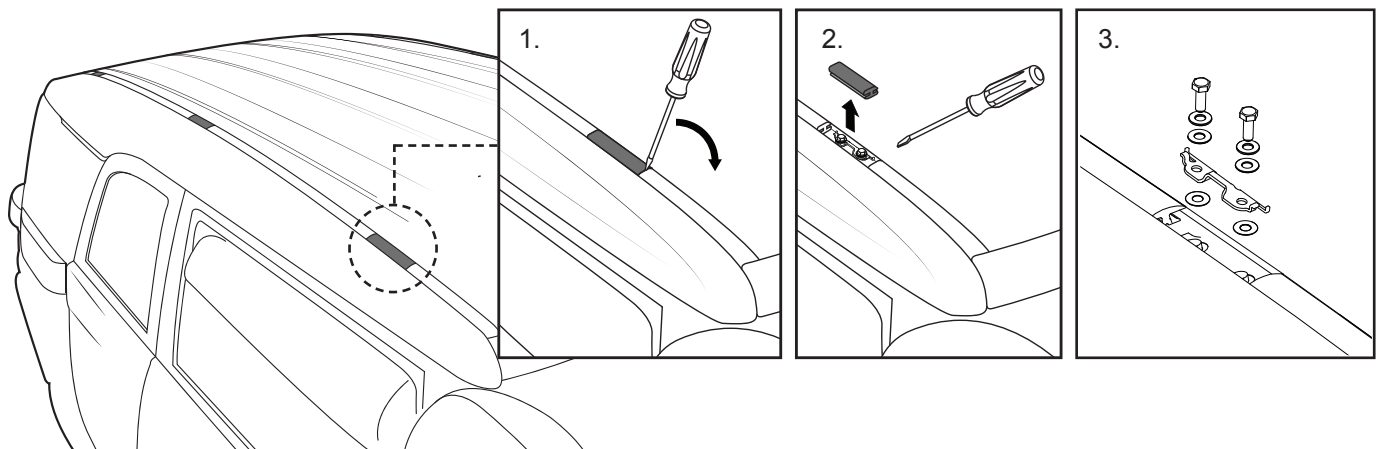
Item	Description	Qty	Part No.
1	M8x30 Socket HD Cap Screw	12	B190
2	M8 Spring Washer	12	W019
3	M8x17x2.5 Washer	12	W020
4	M8 Channel Nut	6	N003
5	M8x28x3 Flat Washer	6	W055
6	M8 Spring Washer	6	W019
7	M8x25 Hex Setscrew	6	B101
8	C63 Butyl Patch 40x25 M6 Hole	12	CA1260
9	FJ Cruiser Right Hand Rail	1	CA1363
10	FJ Cruiser Left Hand Rail	1	CA1364
11	Instructions	1	R492

Tools Required:



1

Move to the roof of the vehicle. Find the six mounting point covers (three per side). Remove by placing a flat head screw driver between the front end of the mounting point cover and the roof. Gently pry downward and remove the covers. Remove the two M8 bolts, washers and bracket. Note that these are not required to fit the Backbone, store these in a safe place.

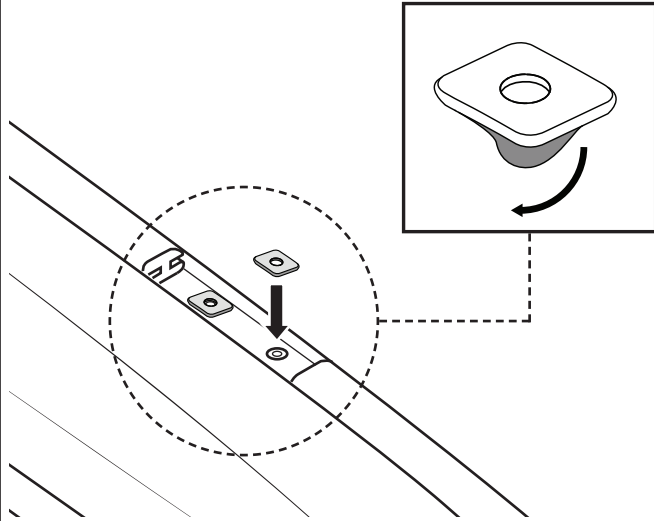




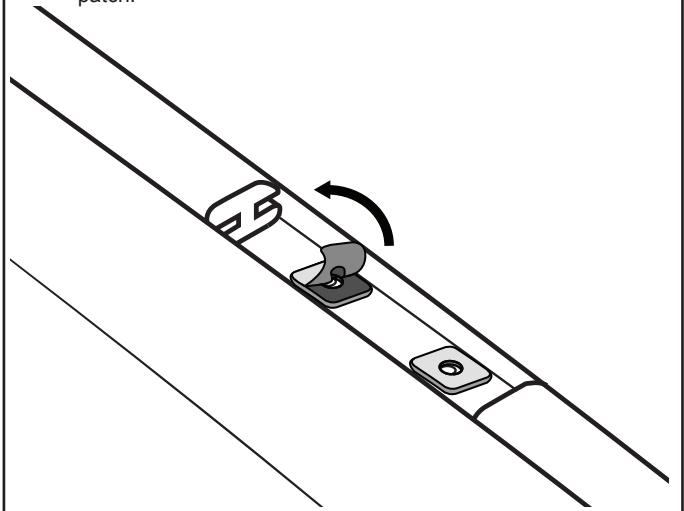
Toyota FJ Cruiser Backbone RFJB1

BACKBONE

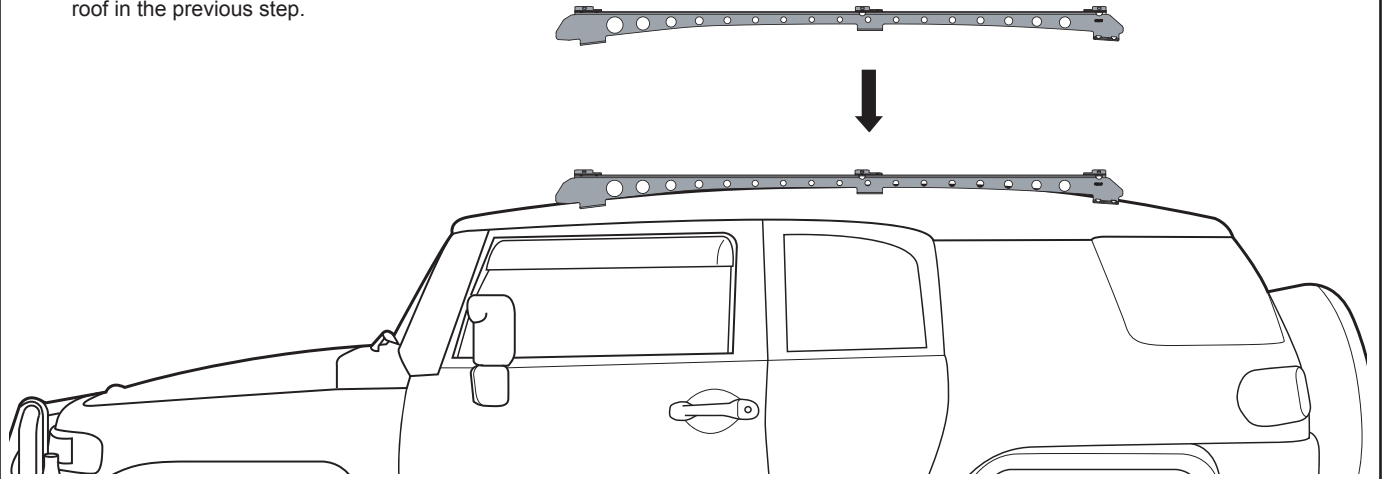
2 Peel the backing tape off the Butyl Patches. Place over the newly exposed mounting points on the roof.



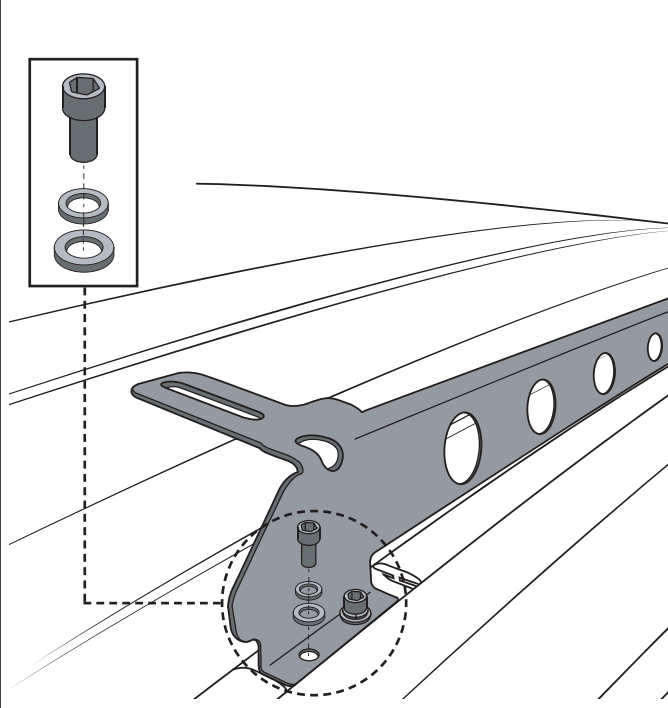
3 Peel the protective tape off the top of the Butyl Patches. This will expose an adhesive layer, use caution not to damage patch.



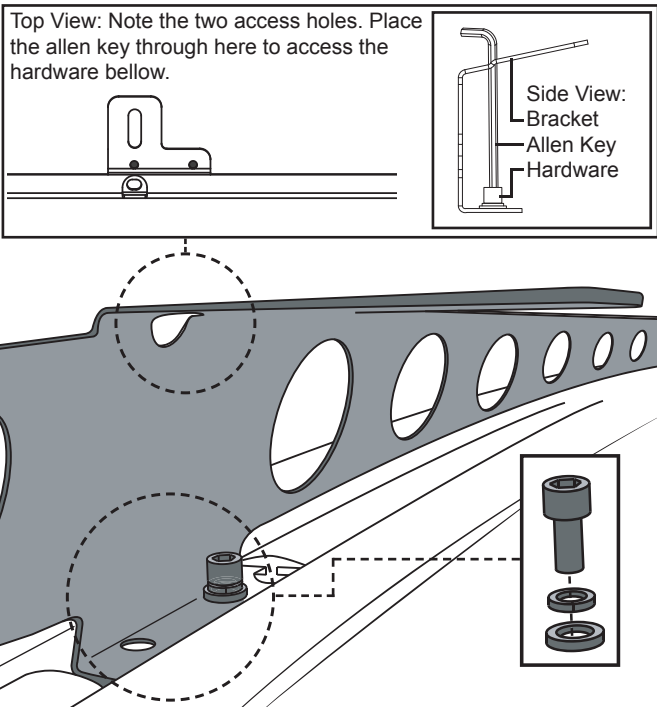
4 Place one side of the Backbone onto the roof of the vehicle. Line up the mounting points of the bracket to the those exposed on the roof in the previous step.



5 Using the M8 socket screw, M8 spring and flat washer fix the front mounting point on the bracket.



6 Using the M8 socket screw, M8 spring and flat washer fix the middle mounting point on the bracket.





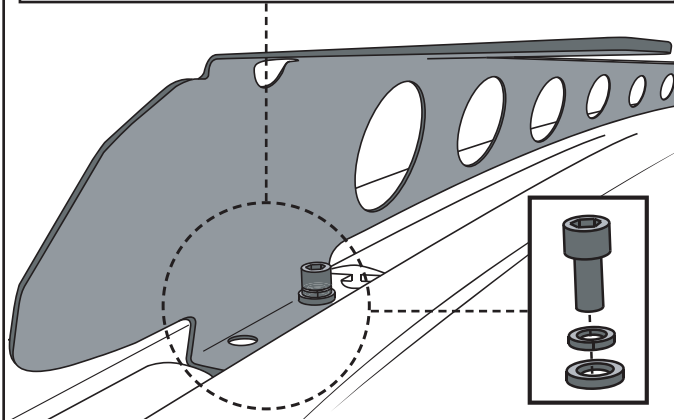
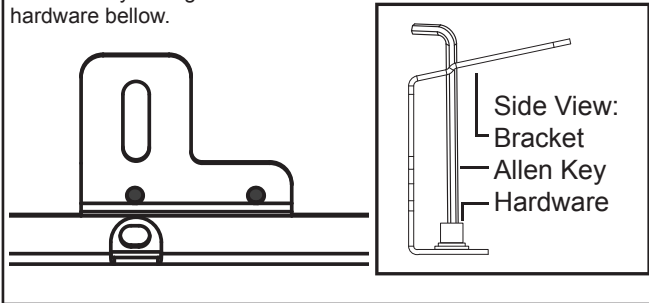
Toyota FJ Cruiser Backbone RFJB1

BACKBONE

7

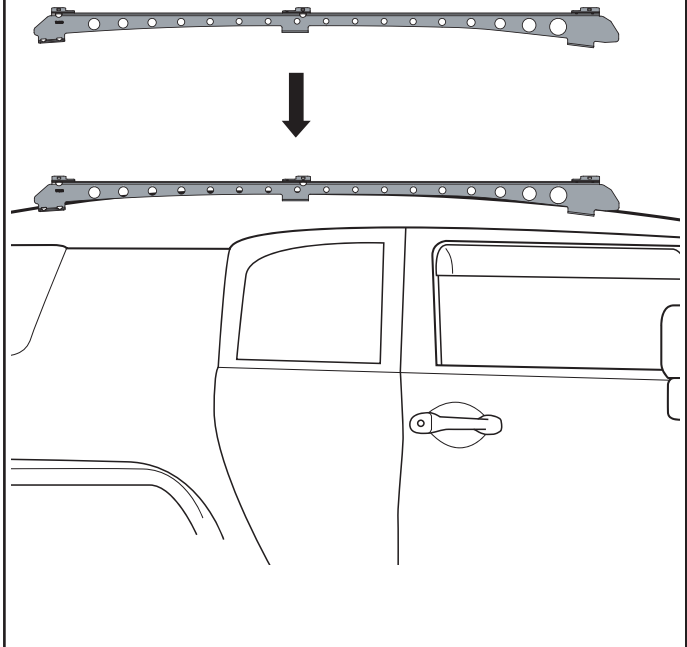
Using the M8 socket screw, M8 spring and flat washer fix the rear mounting point on the bracket.

Top View: Note the two access holes. Place the allen key through here to access the hardware below.



8

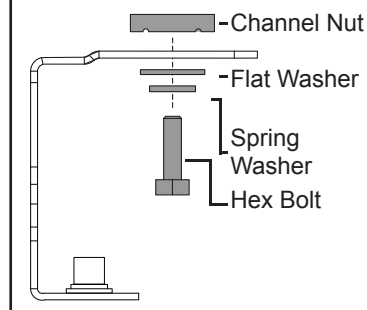
Place the opposing bracket onto the other side of the vehicle and repeat steps 5,6 and 7.



9

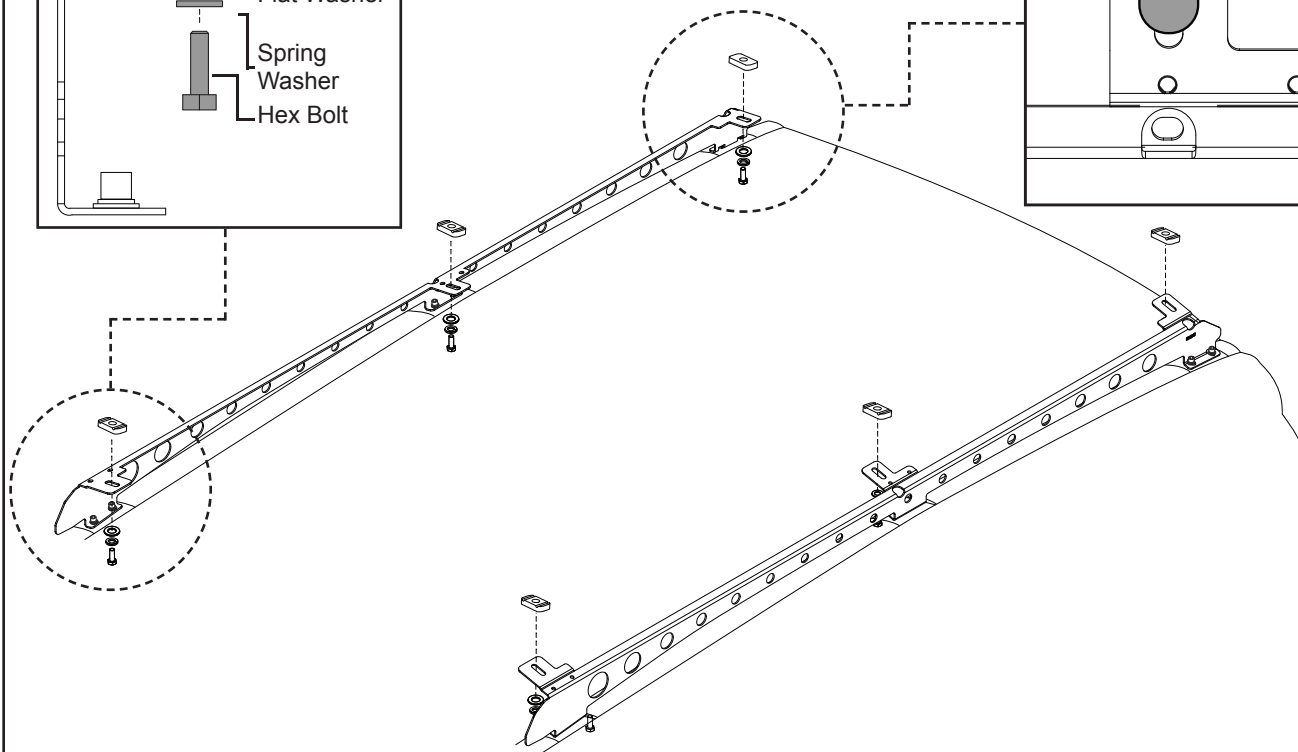
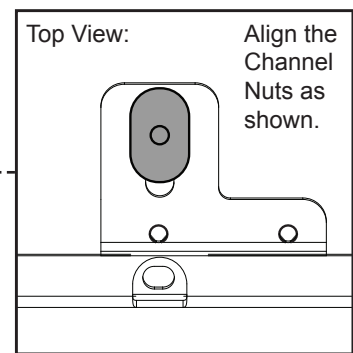
Install the M8x25 Hex Bolts, M8 Spring and Flat Washers. Slide these through the underside of Bracket and into the M8 Channel nuts as shown.

Side View of Bracket:



Top View:

Align the Channel Nuts as shown.

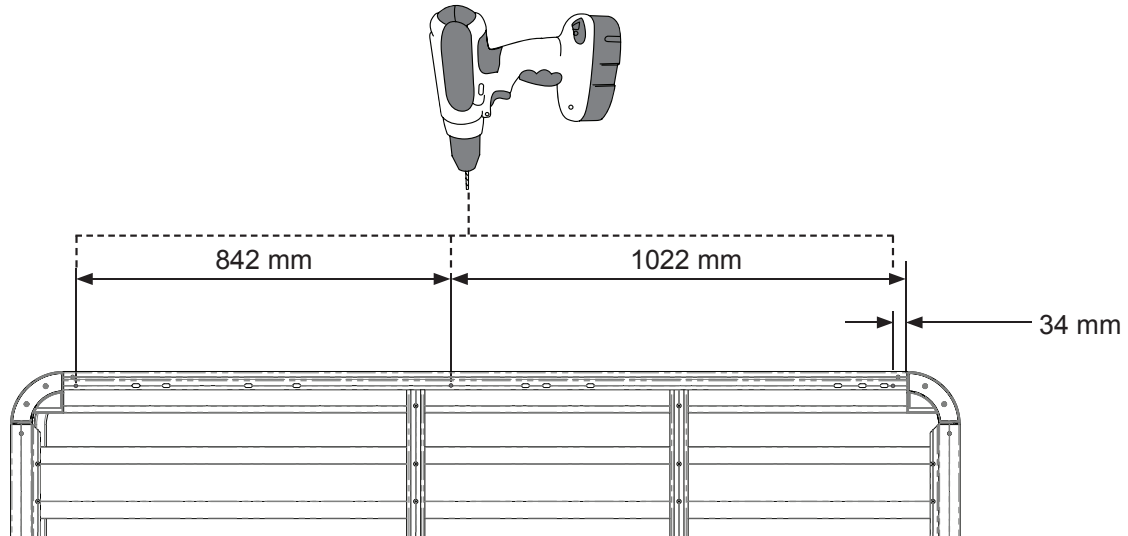




Pioneer Fitment

Note: Pioneer Trays sold separately.

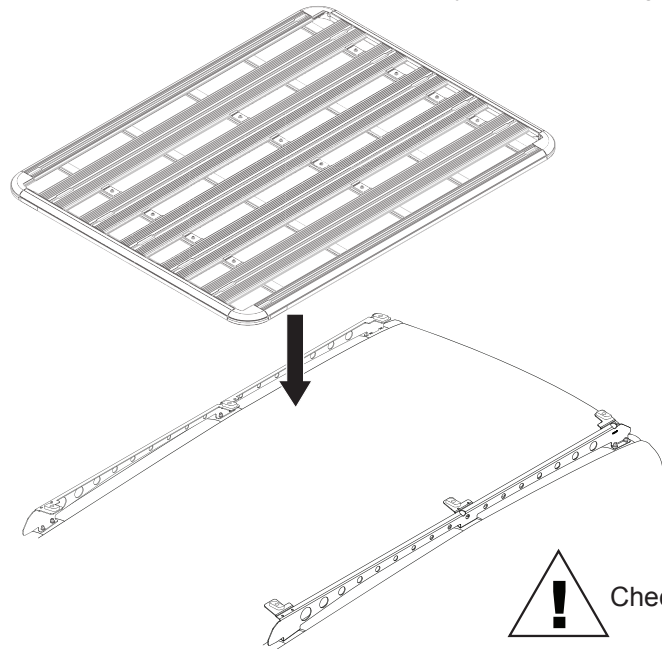
Pioneer 4X104 & 4X107: For fitment to the FJ Cruiser you will have to drill some additional holes in the tray. Drill $\varnothing 8.5\text{mm}$ holes in the positions shown below, on both sides of the tray. Use these drilled locations to position the crossbars within the tray.



Front of Tray

Pioneer Trays sold separately.

Pioneer 4X104 & 4X107: Locate the Channel Nuts across the Pioneer Tray crossbars and tighten with a socket wrench.



Side View: The Channel Nuts will locate as shown.

