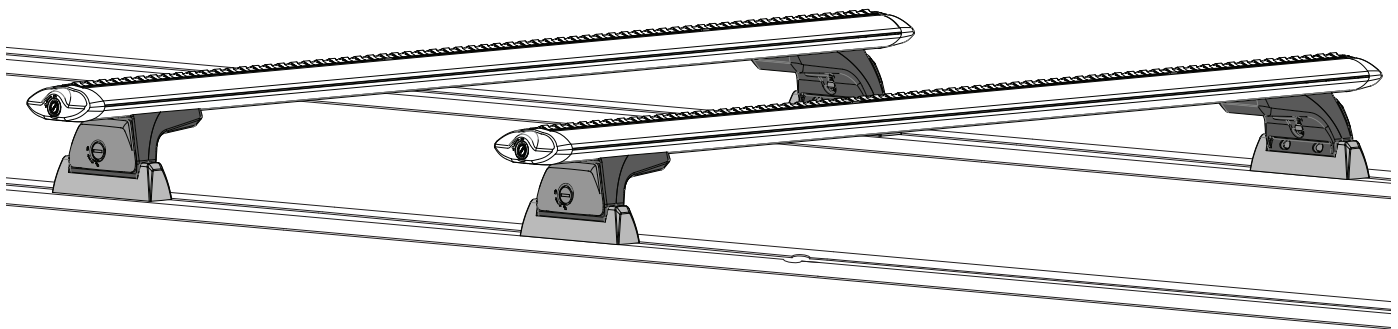




RHINO-RACK

Quick Mount Track Legs RLT600

- Important:**
- 1. Please refer to your fitting instruction to ensure that the roof racks are installed in the correct locations.
 - 2. Check the contents of kit before commencing fitment and report any discrepancies.
 - 3. Place these instructions in the vehicle's glove box after installation is complete.
 - 4. These instructions must be followed for warranty to be upheld.



Important Information

Load ratings:

Maximum permissible load for system is up to 95kg per pair of crossbars. When crossbars are to be used in off-road conditions, please build a safety factor of 1.5 into this load limit. Although the crossbars are tested and approved to AS1235-2000, off-road conditions can be much more rigorous. However, increasing the number of crossbars does not increase the vehicles maximum permissible roof loading.

Please refer to your vehicle manufacturers handbook for the maximum roof loading allowable for your make and model vehicle. Always use the lower of the two figures

On Road Cargo Allowance	Off Road Cargo Allowance	Roof Allowance	Rack Weight
95kg / 209lb	63kg / 138lbs	100kg / 220lbs	5kg / 11lbs

It is essential that all bolt connections be checked after driving a short distance when you first install your crossbars. Bolt connections should be checked again at regular intervals (probably once a week is enough, depending on road conditions, usage, loads and distances travelled). You should also check the crossbars each time they are re-fitted.

Make sure to fasten your load securely. Ensure all loads are evenly distributed and centre of gravity is kept as low as possible.

Use only non-stretch fastening ropes or straps. Clean roof prior to installation.

Caution: The handling characteristics of the vehicle changes when you transport a load on the roof. For safety reasons we recommend you exercise extreme care when transporting wind-resistant loads. Special consideration must be taken into account when cornering and braking.

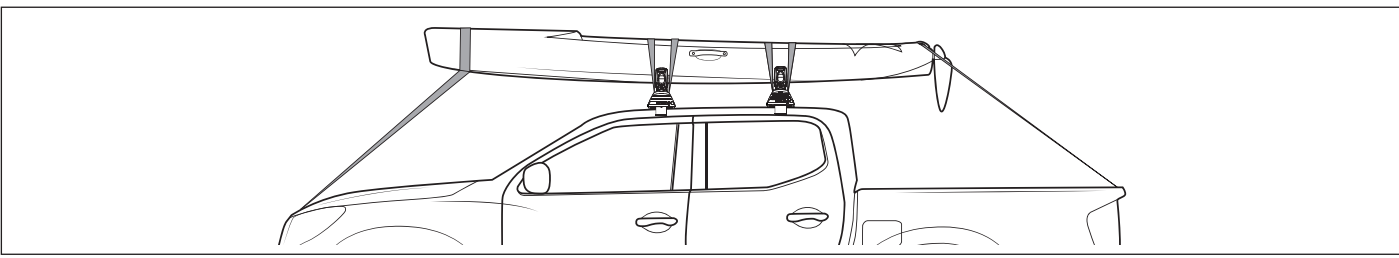
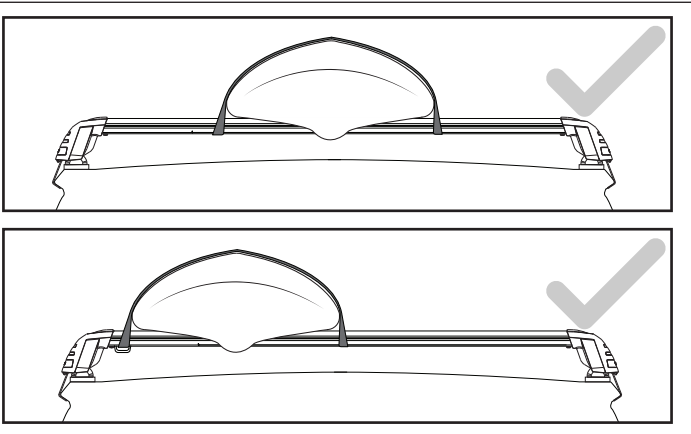
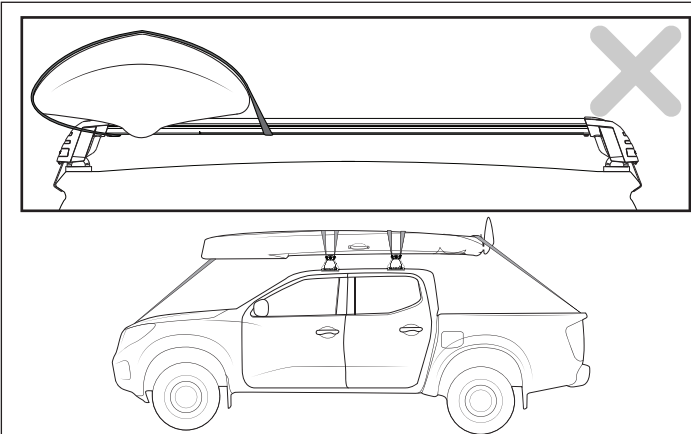
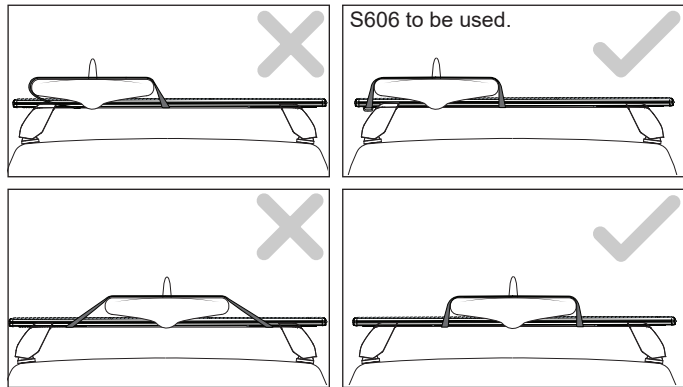
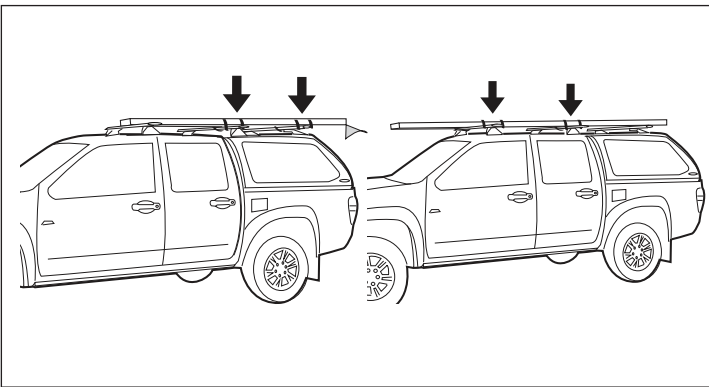
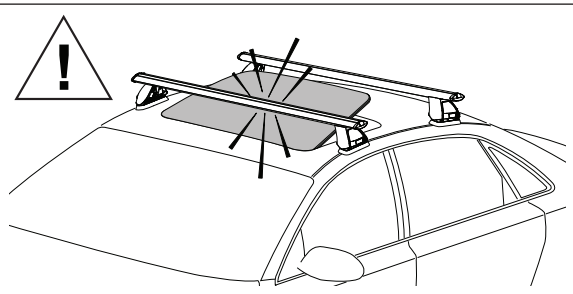
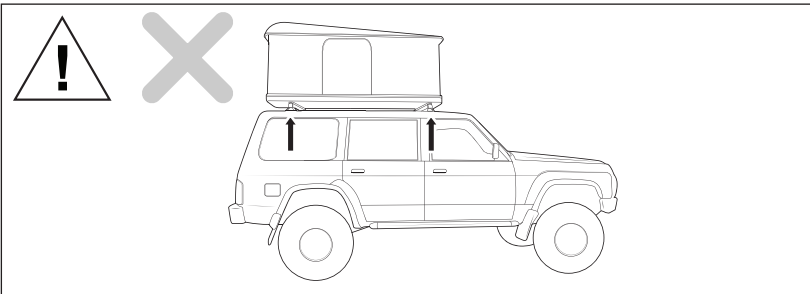
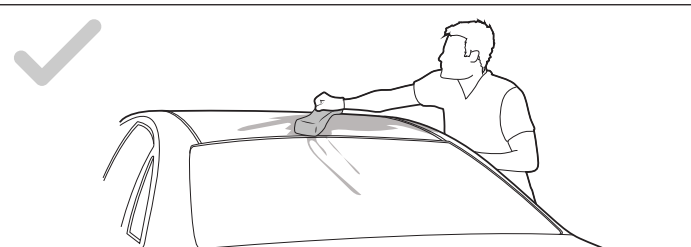
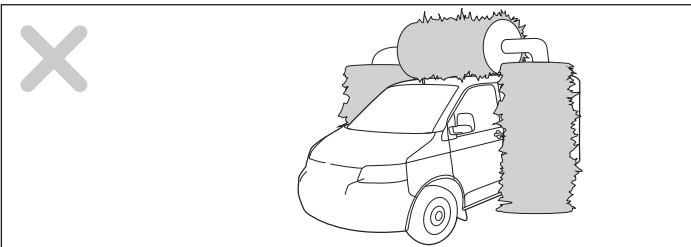
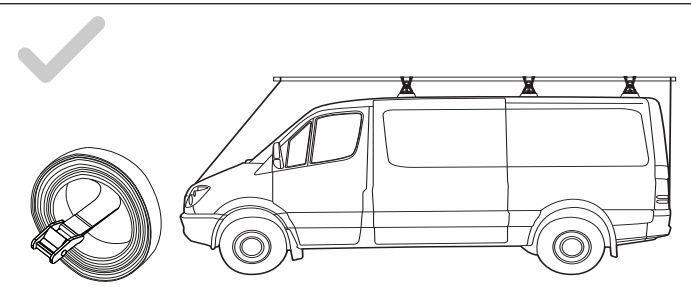
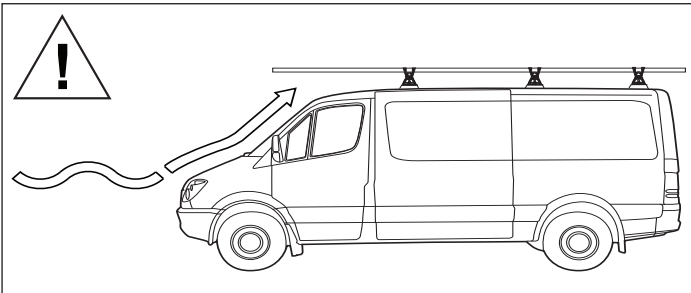
Please remove crossbars when putting vehicle through an automatic car wash.

Please remove Batwing awning and crossbars when using an automatic carwash.

Note for Dealers and Fitters:

It is your responsibility to ensure these fitting instructions are given to the end user or client

Quick Mount Track Legs RLT600



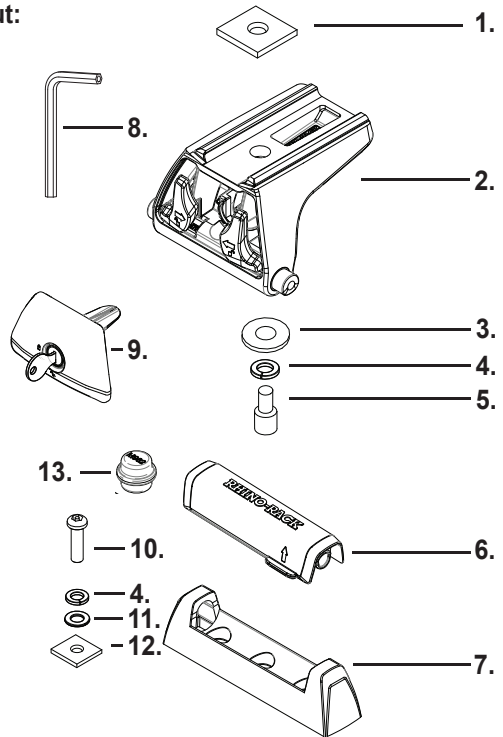
Quick Mount Track Legs RLT600

Parts List

Item	Component Name	Qty	Part No.
1	M6 24x24x4 Nut	4	N068
2	Track Leg Body	4	M703
3	M6x16x1.6 Flat Washer	4	W031
4	M6 Spring Washer	12	W004
5	M6x20 Socket HD	4	B054
6	Track Leg Base Cover	4	M702
7	Track Leg Base	4	M701
8	5mm Allen Key	1	H021
9	Track Leg Lockable Cover	4	M704
10	M6x16 Button Security Screw	8	B061
11	M6x12.5 Flat Washers	8	W003
12	M6 24x21x4 Nut	8	N057
13	Track Leg Grommet	4	M982
14	Instructions	1	R474

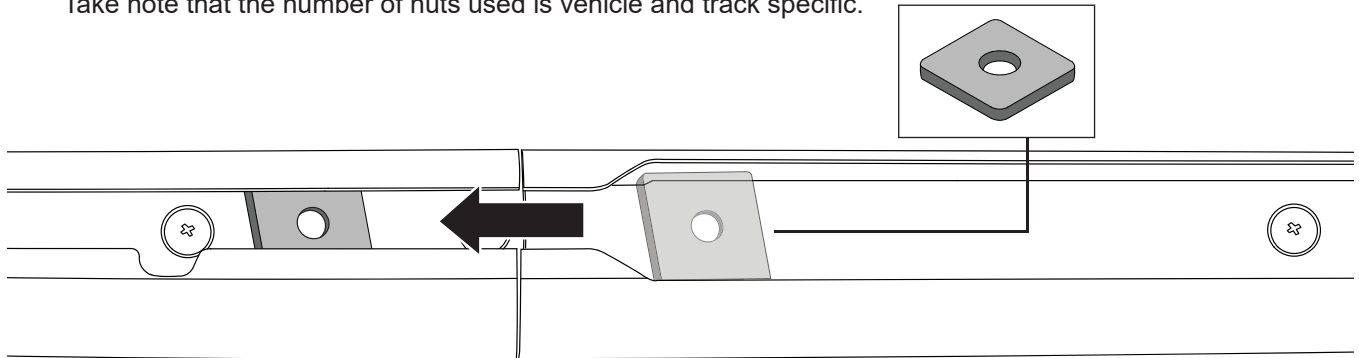
Tools Required: Allen Key (provided)
Metal Key (provided)

Layout:

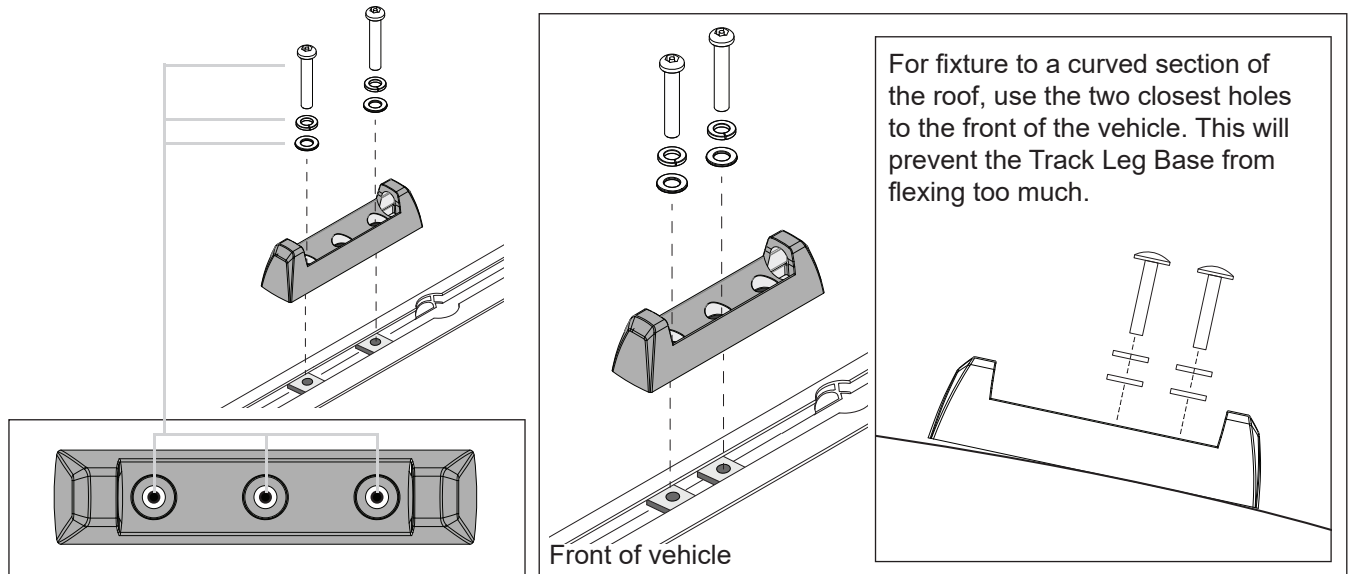


Instructions

- Place M6 24x21 Hex Nut into the opening of each track at rear of vehicle. Slide along the track to position. Take note that the number of nuts used is vehicle and track specific.



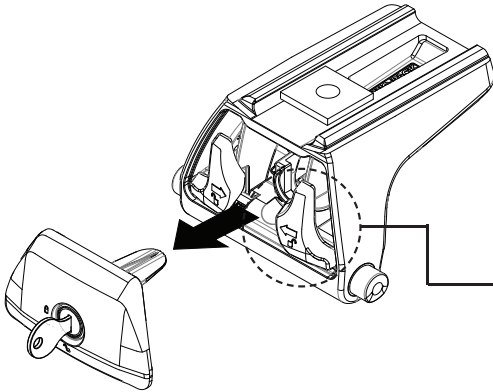
- Place the mounting plate onto the track. Fix in place with security screws, spring and flat washers. Note that the amount of fixing hardware used is dependant on the previous step and vehicle requirements.



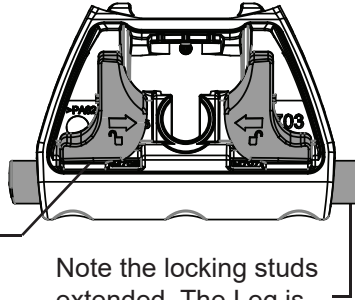
Quick Mount Track Legs RLT600

- 3** Prepare the Leg for installation as follows: 1 - Remove cover plate. 2 - Locate and Pinch locking levers together. 3 - With levers pinched together, push them backward into a locked position within the leg cavity.

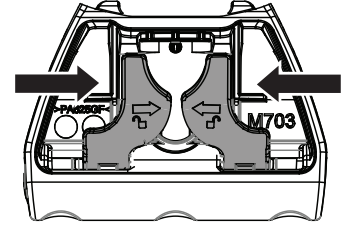
1.



2.



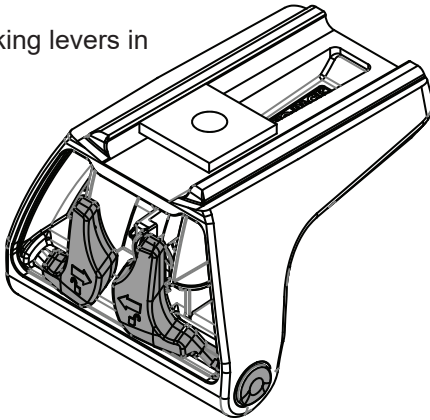
Note the locking studs extended. The Leg is now 'locked'.



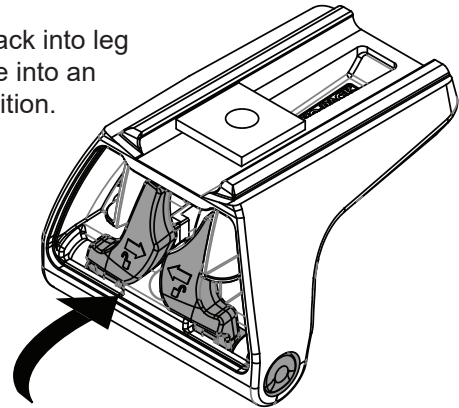
retracted 'unlocked'

3.

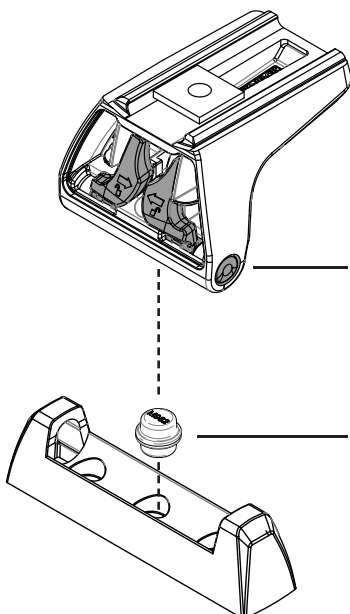
Keep locking levers in position.



Push levers back into leg cavity to locate into an 'unlocked' position.



- 4** With the locking studs now in an 'unlocked' position, insert the leg into the mounting bracket.

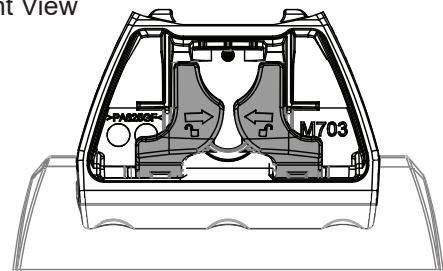


the locking studs are locked inward, this allows the leg to be placed in a mounting position.

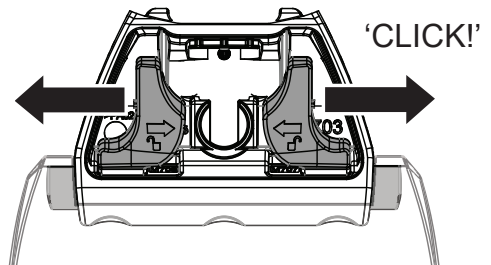
Push the track leg grommet into the centre hole of the bracket. This will remove any possible "rattle" on uneven roads.

Front View

1.



2.

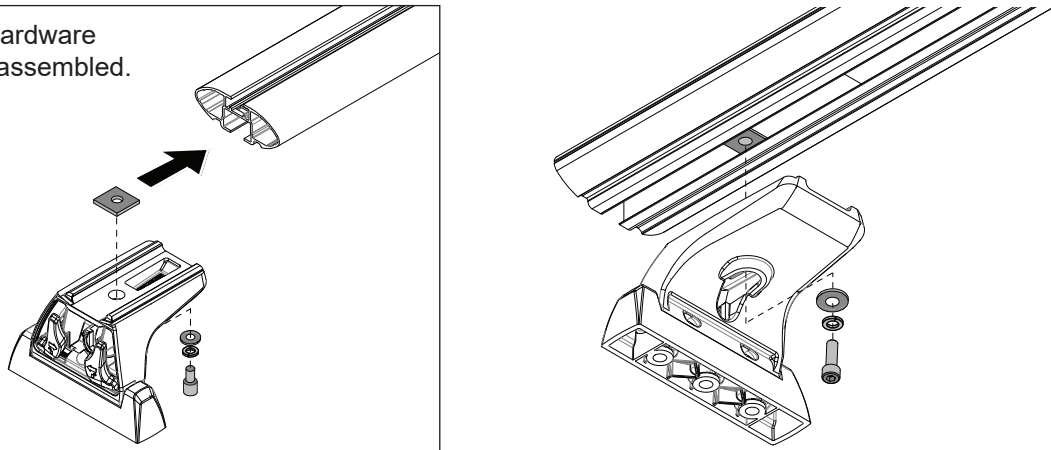


Pull the locking levers forward to their original position. They will spring back pushing the locking studs back outward, fixing the leg into the mount. Ensure both studs are secure in bracket. Apply small amounts of downward pressure if studs do not engage.

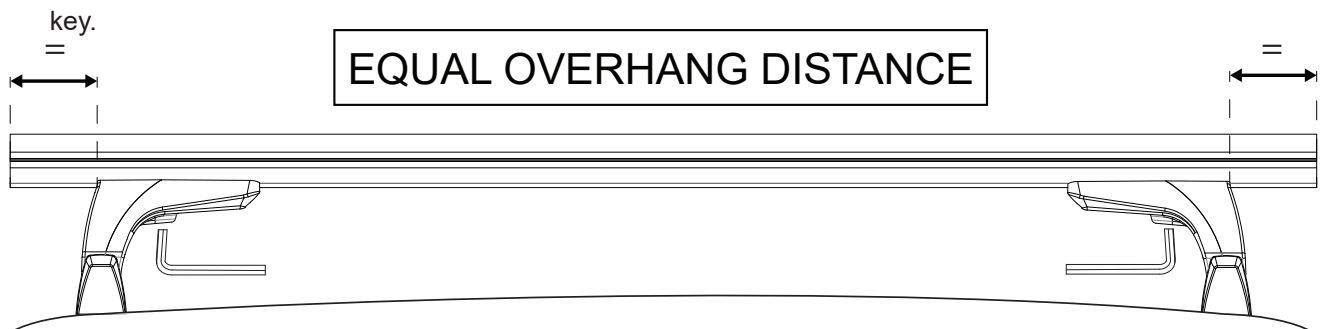
Quick Mount Track Legs RLT600

- 5** Assemble the leg hardware as shown. Slide the leg into the bar and finger tighten. Repeat for all 4 legs.

Note: Leg hardware comes pre-assembled.



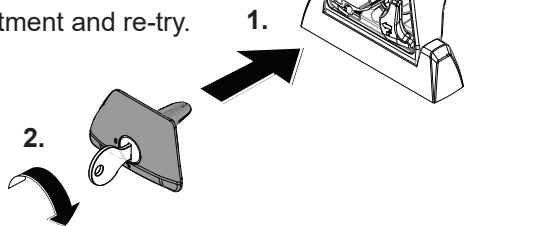
- 6** Check the cross bar over hang is equal on both sides, re-adjust if required. Tighten with a 5mm allen.



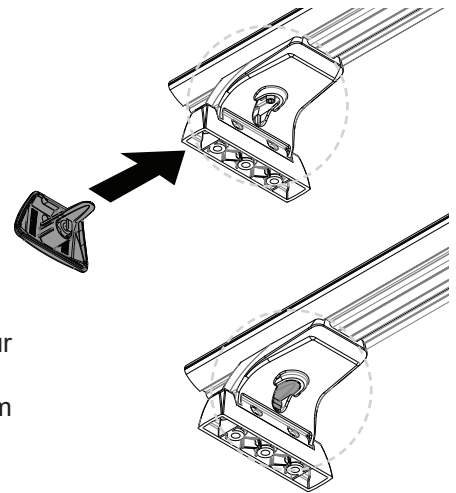
At this point the bar can be removed and the mounting base can be fully tightened if not done so in step 2.

- 7A** Insert the Face plate into the leg. Using the key provided, insert and turn clockwise to lock the unit. Remove the key.

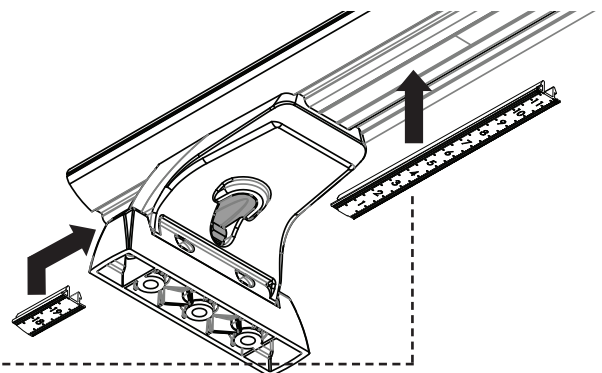
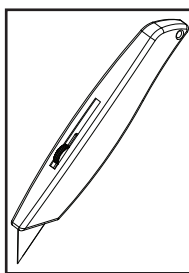
Insert the cover plate and then lock using the key provided in the kit. If it cannot be inserted properly it means one of the studs is not correctly fitted. Check fitment and re-try.



Note: The Face Plate will cover the hardware holding the legs in place. This will help to ensure your system is secure from theft.

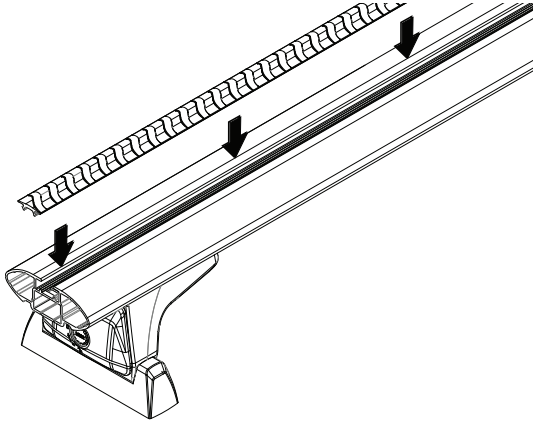


- 7B** Cut and fit the underbar strips and fit to your crossbars.

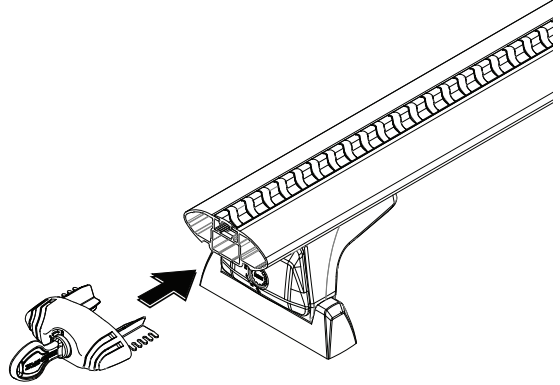


Quick Mount Track Legs RLT600

- 8** Install the Vortex Rubber Strips. It may be easier to remove bar and complete assembly steps 8,9 and 10.

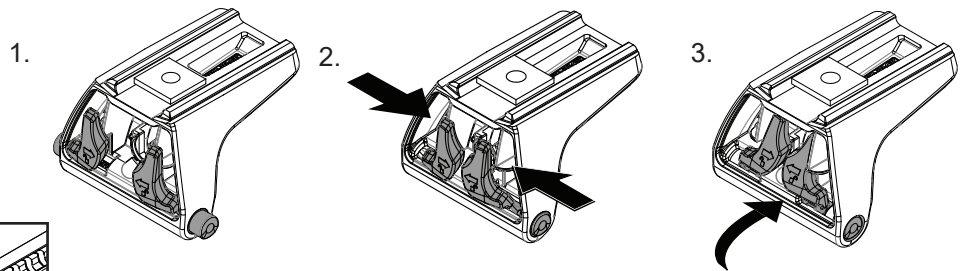


- 9** Insert the end cap. Using the key provided, lock the end cap. Remove the key. Note metal keys can be purchased so they match the RLT600 Leg.

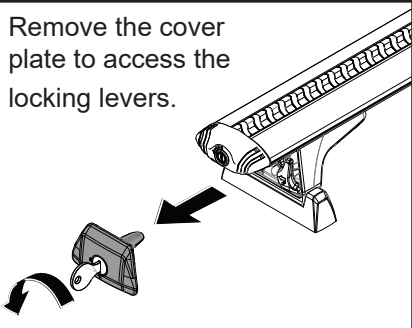


Removing the Bars

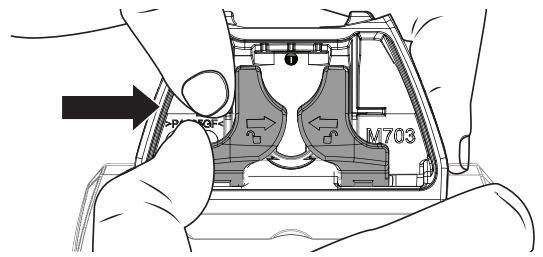
- 1** Remove the cover plate from the legs. Squeeze the locking levers together and push them backward into the leg cavity. Assistance may be required.



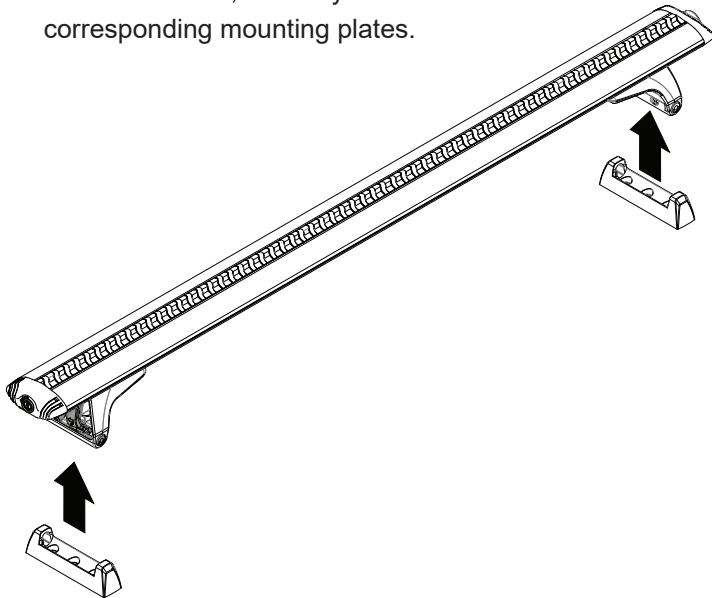
Remove the cover plate to access the locking levers.



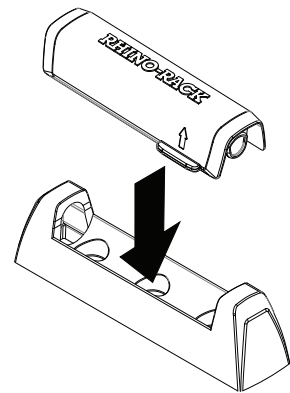
Note:
Use two hands to push in the locking levers if tight. Do not use a screw driver as this may damage the levers.



- 2** With assistance, carefully lift the bars out of the corresponding mounting plates.

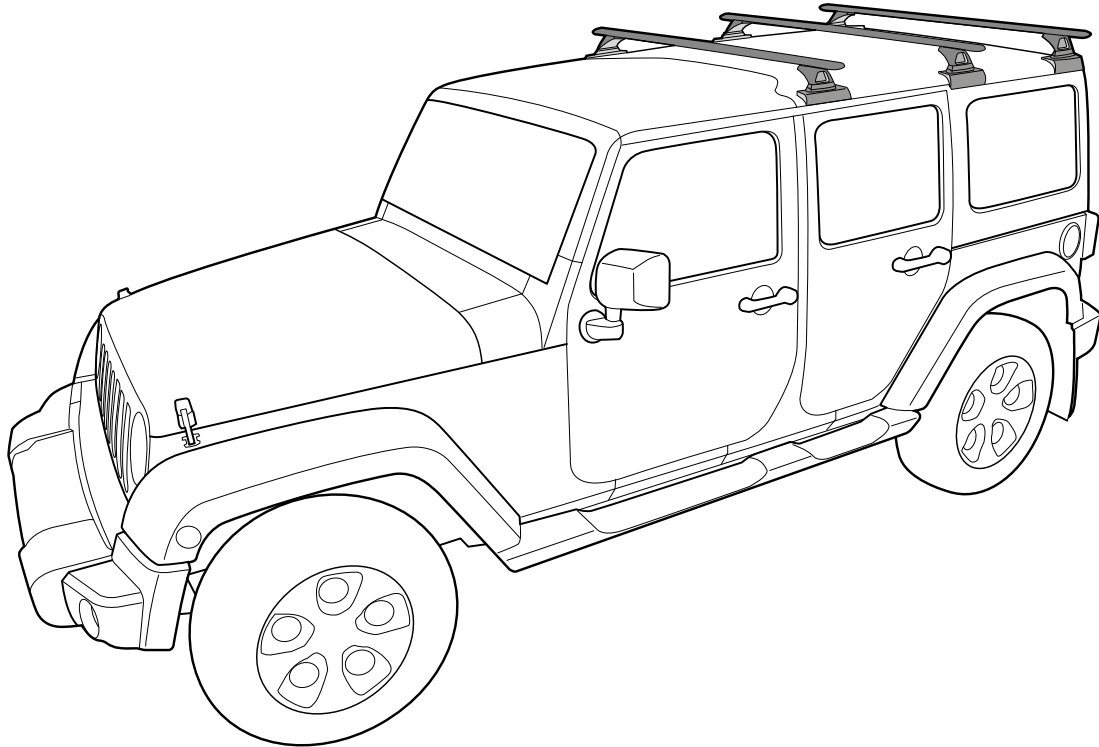


Attach Leg Base Cover when not in use.



BACKBONE

Jeep Wrangler JK 4dr Hard Top 2007 On



Important Information

Max: 120kg (264lbs) - Three Crossbars. Max: 100 (220lbs) - Two Crossbars. Time: 2 Hours.

Read through instructions before installation. If you are unsure or have any questions, refer to the dealer or place of purchase.

Recommendations:

It is essential that all bolt connections be checked after driving a short distance when you first install your crossbars. Bolt connections should be checked again at regular intervals (probably once a week is enough, depending on road conditions, usage, loads and distances travelled). You should also check the crossbars each time they are refitted. Make sure to fasten your load securely. Please ensure that all loads are evenly distributed and that the centre of gravity is kept as low as possible. Use non stretch ropes.

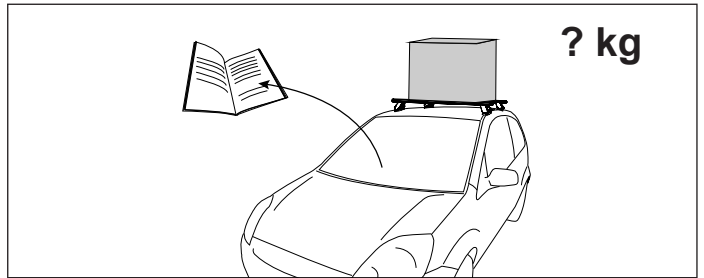
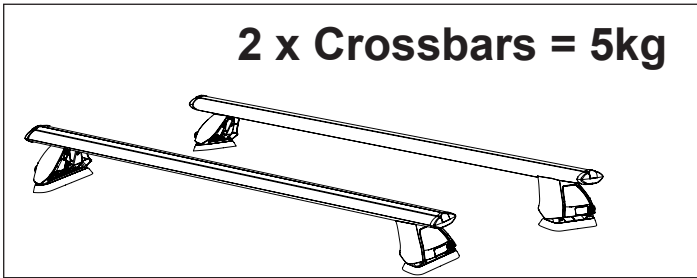
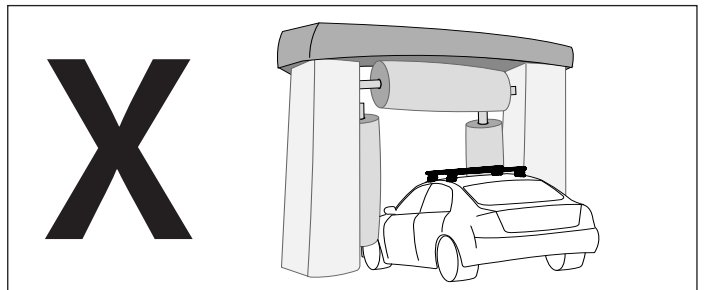
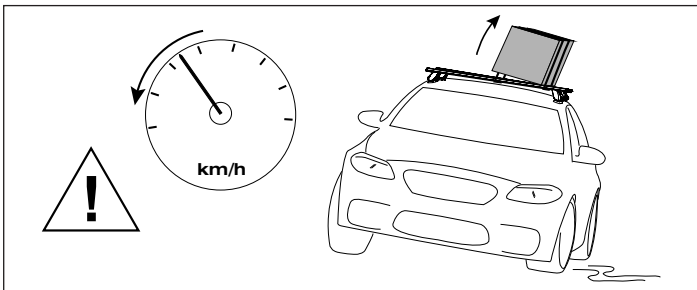
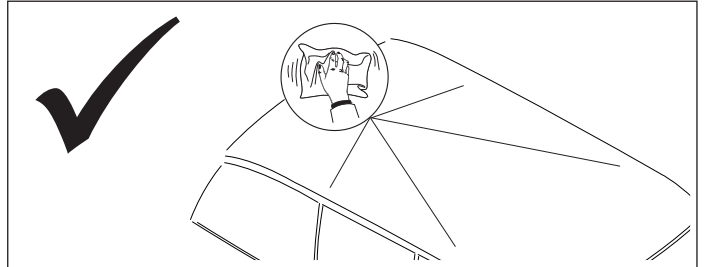
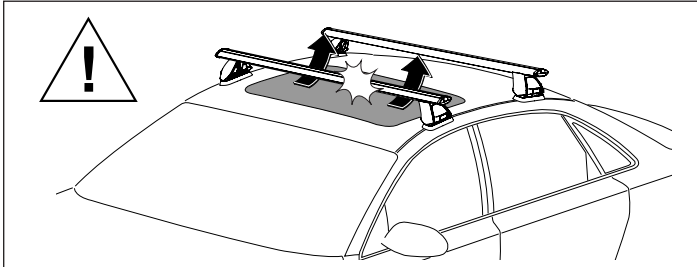
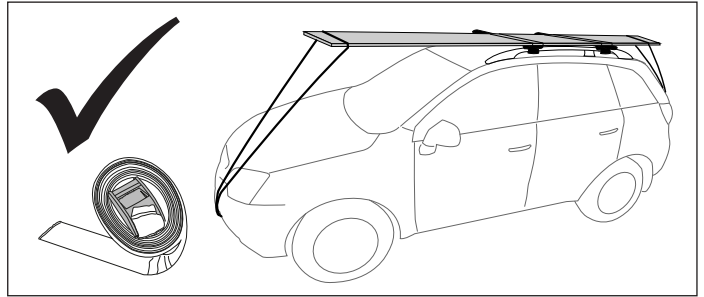
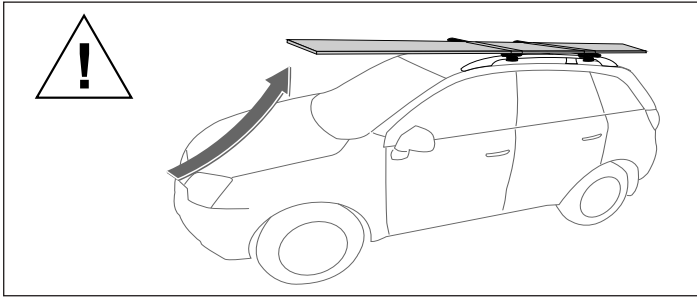
Please remove crossbars when putting vehicle through an automatic car wash.

Load Ratings:

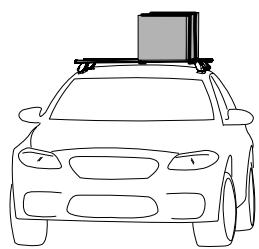
Maximum permissible load is 120kg (264lbs) for three crossbars including the weight of the crossbars, 7.5kg (16lbs) for three bars and 5kg (11lbs) for two bars. When crossbars are to be used in off-road conditions, please build a safety factor of 1.5 into this load limit for off-road use, three crossbars = **80kg (176lbs)** and two crossbars = **66kg (145lbs)**. Although the crossbars are tested and approved to AS1235-2000, Off road conditions can be much more rigorous. However, increasing the number of crossbars does not increase the vehicles maximum permissible roof loading.



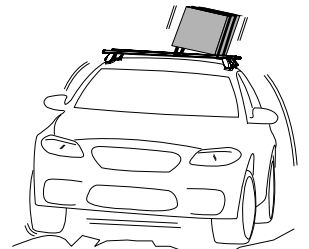
Jeep Wrangler JK 4dr Hard Top 2007 on **BACKBONE**



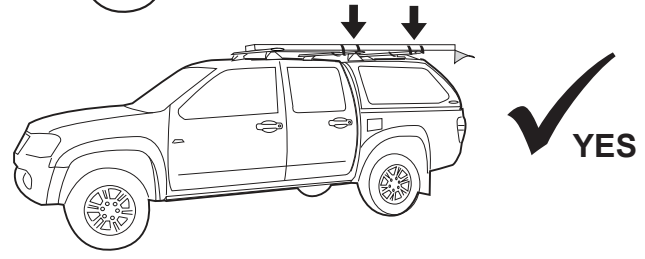
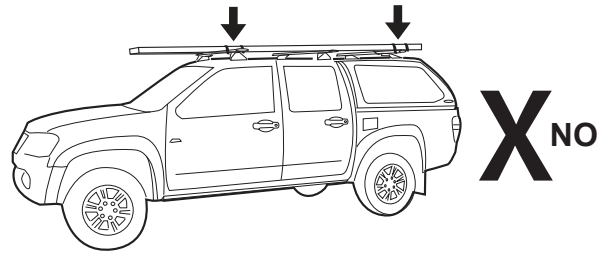
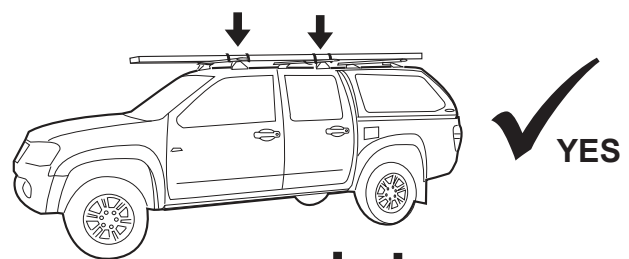
When these roof racks are to be used on a vehicle that is driven off sealed roads the maximum load rating must be divided by 1.5. Remember to subtract the weight of the roof racks to determine your maximum permissible load capacity.



3 bars 120kg (264lbs)	=	3 bars 80 kg (176lbs)
2 bars 100kg (220lbs) load rating (Urban road)		2 bars 66kg (145lbs) load rating (Off road)
Load rating not taking into account crossbar weight - 5kg		

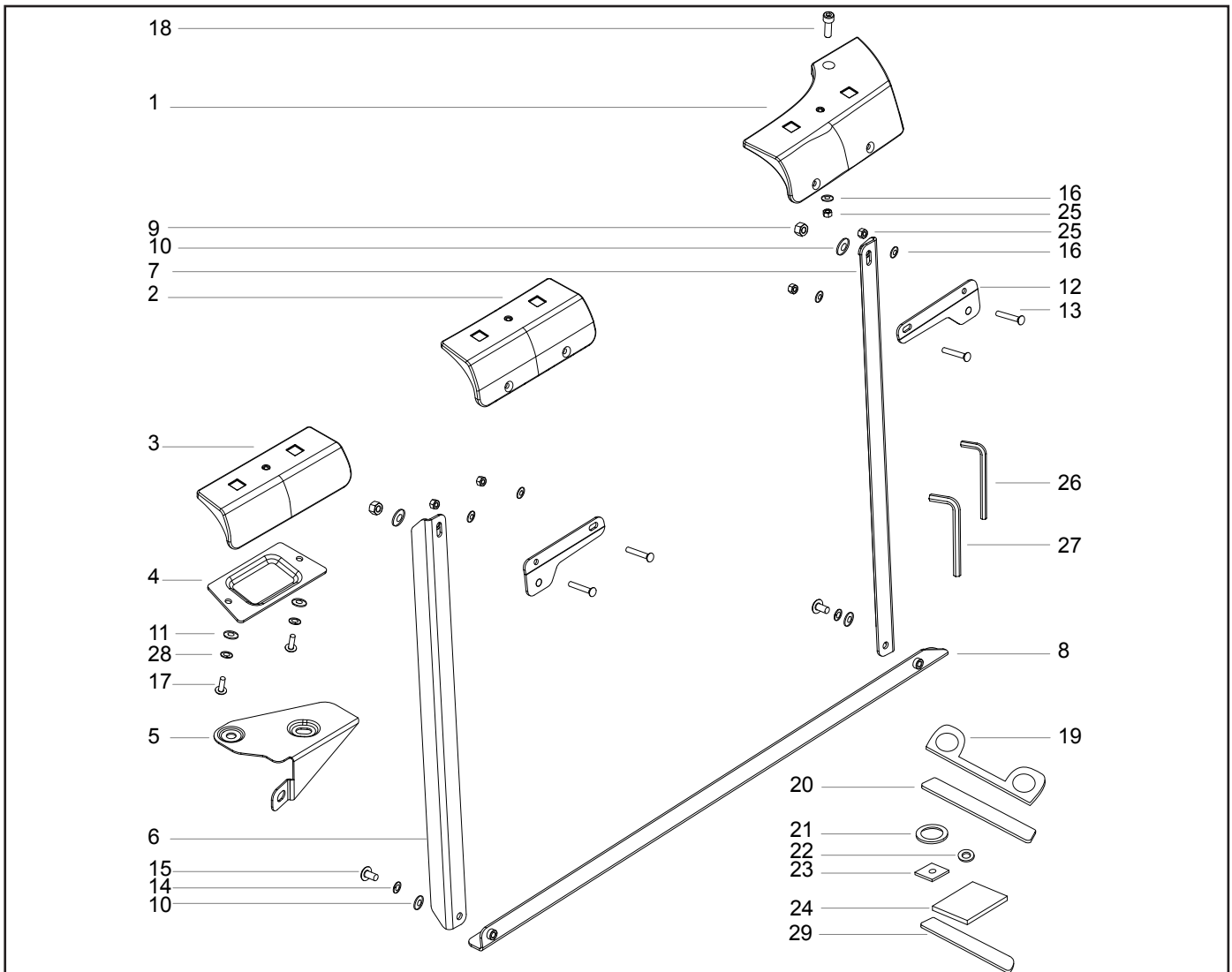


WARNING! Important Load Carrying Instructions
With utility vehicles, the cabin and the canopy move independently. Roof racks and vehicle can be damaged if the item transported is rigidly fixed at points on both the cabin and canopy. Instead, rigidly fix to either the cabin roof racks or the canopy roof racks.





Parts List



Item	Component Name	Qty R	Qty L	Part No.
1	Rear Bracket	1	1	CA1274
2	Middle Bracket	2		CA1275
3	Front Bracket	2		CA1276
4	Backing Plate	2		CA1277
5	Front Support Plate	1	1	CA1278
6	Internal Support Vertical	2		CA1279
7	Internal Support Vertical	2		CA1280
8	Internal Support Base	1	1	CA1281

Tools Required:

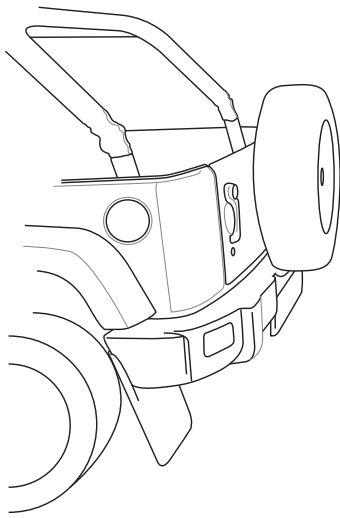
- 10mm Spanner
- 13mm Spanner
- Drill
- 3.0mm Drill Bit
- 6.5mm Drill Bit
- 5mm Allen Key (supplied)
- Support Stands
- 6-18mm Step Drill
- Tape Measure
- Marker Pen
- 4mm Allen Key (supplied)

Item	Component Name	Qty	Part No.
9	M8 Nyloc Nut Black	4	N043
10	M8 Flat Washer Black	8	CA1068
11	M6x12.5mm Flat Washer Black	4	W003-Blk
12	Bracket Fixture Plate	4	CA1282
13	M6 x 40 Counter Sunk HD Bolt Black	8	B211
14	M8 Spring Washer Black	4	W019-Blk
15	M8x20 Hex Setscrew Black	4	B020-Blk
16	M6 Flat Washer Black	10	W054-Blk
17	M6x20 Button Security Screw	4	B062
18	M6 x 30 Socket HD with O-Ring	2	B210
19	Front Bracket Foam	2	CA1283
20	Middle Bracket Foam	2	CA1284
21	Bracket O Foam L	2	CA1285
22	Bracket O Foam S	4	CA1286
23	Bracket Foam Square	2	CA1287
24	Bracket Support Material	2	CA1288
25	M6 Nyloc Nut Blk	10	N069
26	4mm Allen Key	1	H001
27	5mm Allen Key	1	H002
28	M6 Spring Washer	4	W004
29	End Bracket Rear Foam	2	-
30	Instructions	1	R433

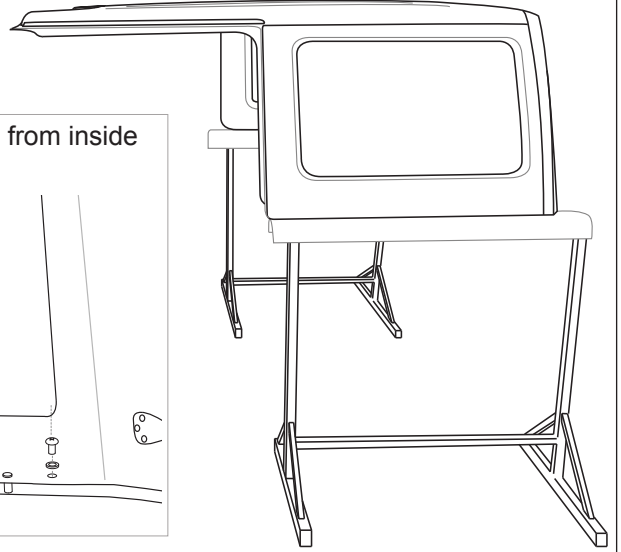
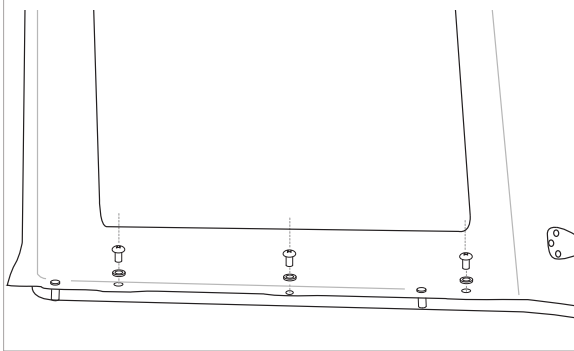


Jeep Wrangler JK 4dr Hard Top 2007 on **BACKBONE**

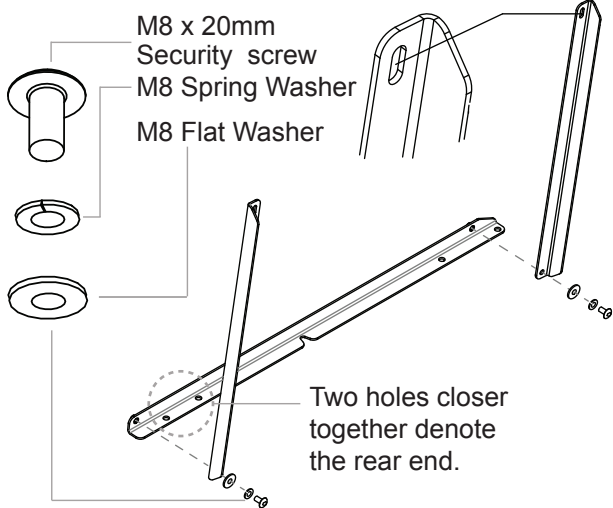
1 Remove the Hard Top (as per manufacturer's instruction) and place onto a stable, safe working area.



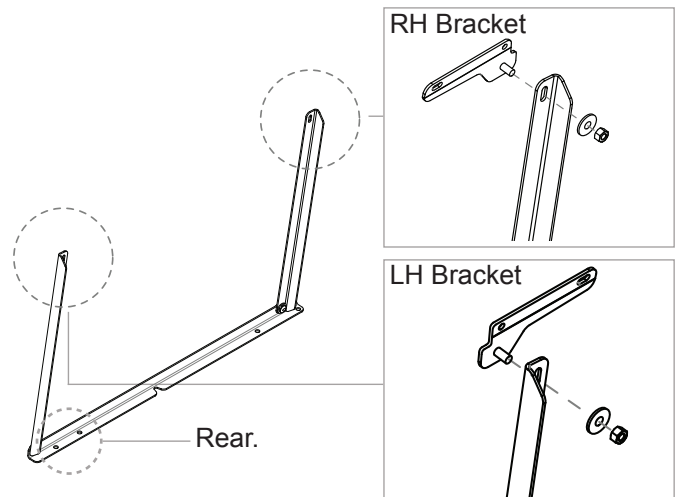
Hardware will have to be removed from inside Hard Top.



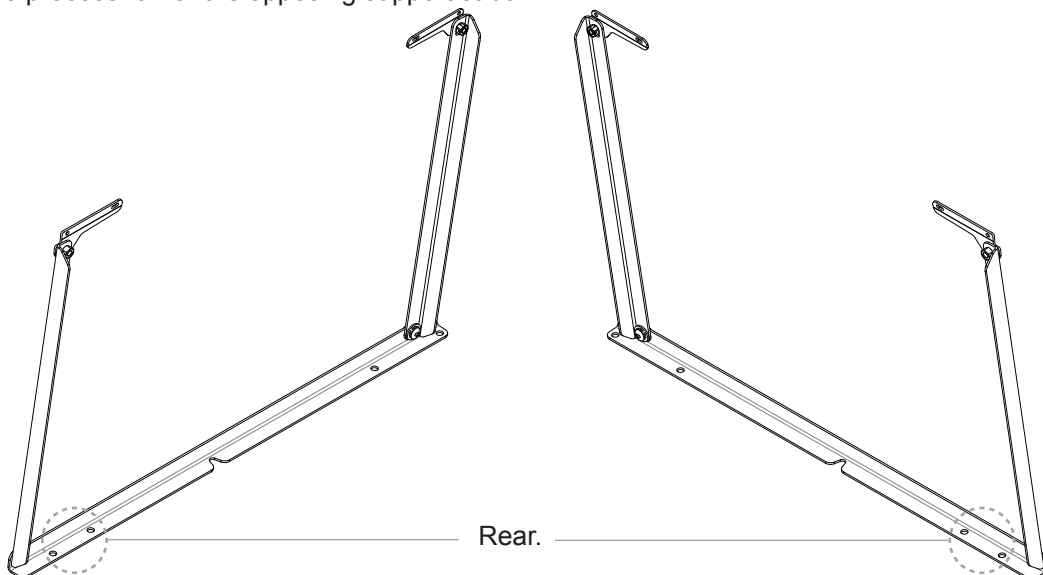
2a Assemble the Support Struts as shown. Finger tighten. Check part ID to make left and right side supports.



2b Attach item 12 to the arms as shown, using an M8 washer and M8 an Nyloc nut. Finger tighten.

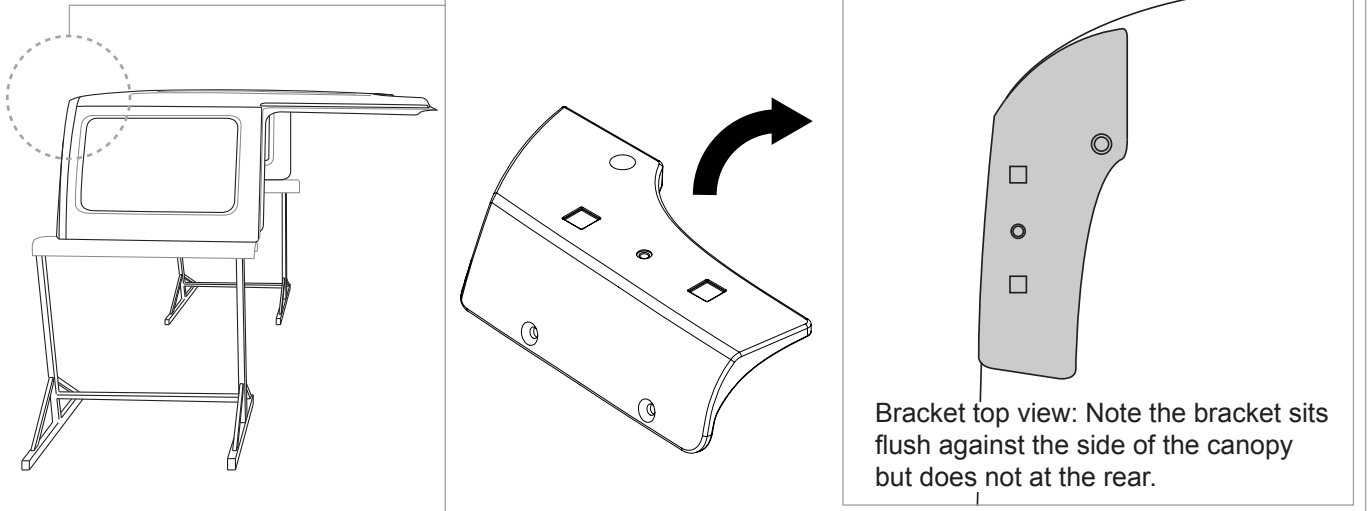


3 Repeat the process for for the opposing support strut.

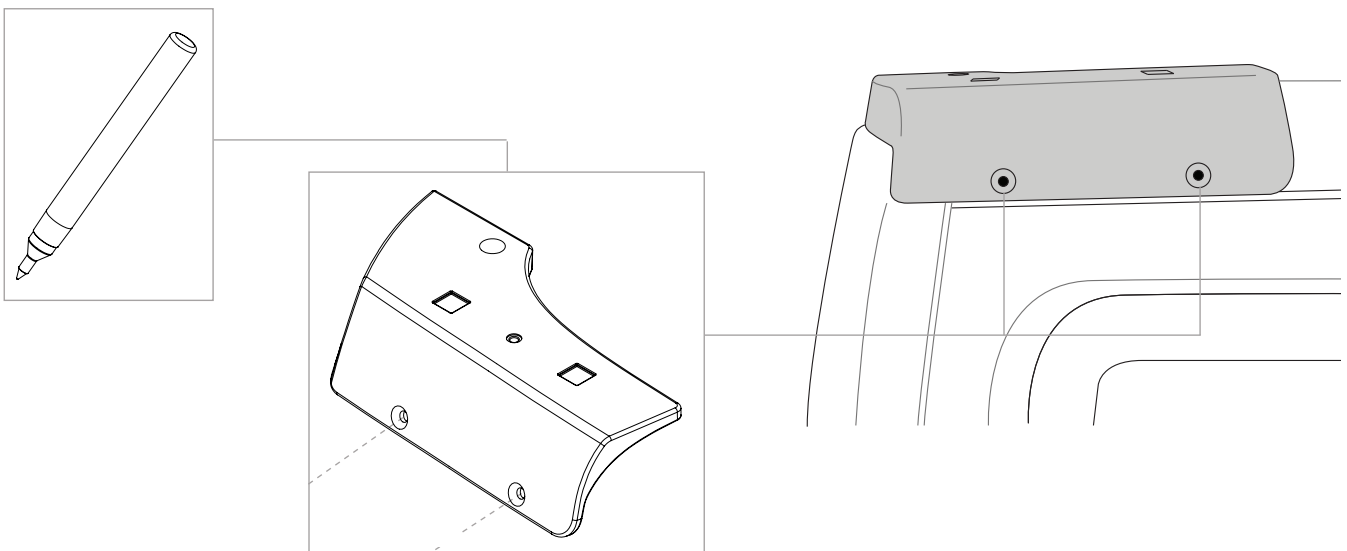




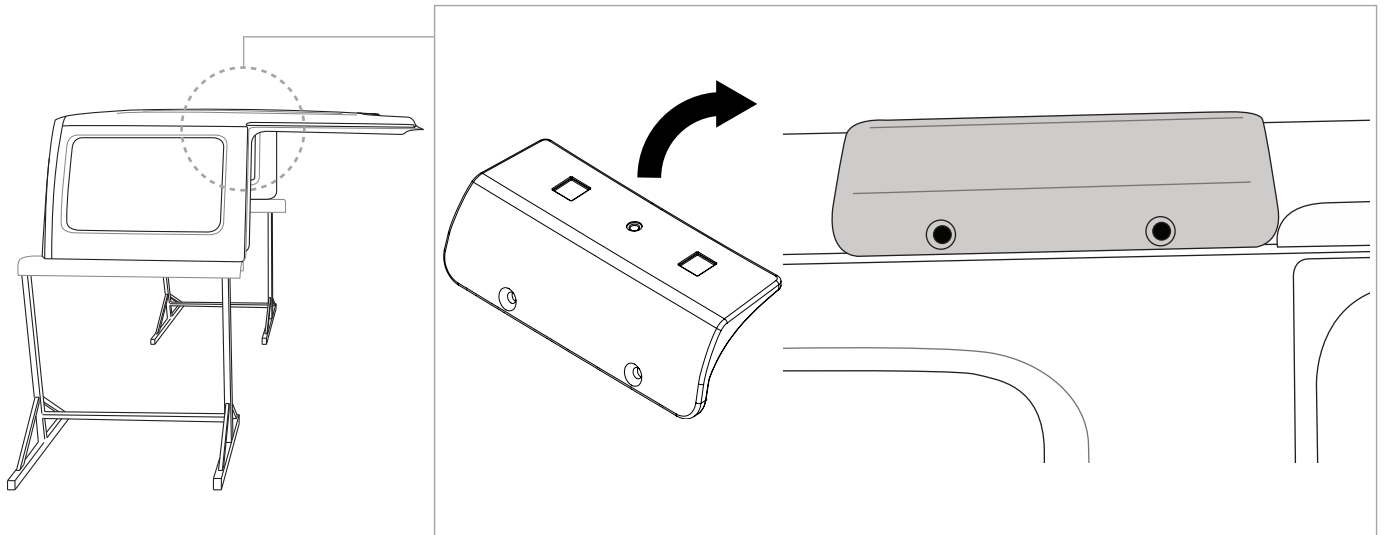
- 4** Align the REAR bracket with the REAR of the Hard Top. Line the bracket flush with the contour of the Hard Top as show.



- 5** With bracket aligned, spot mark the bracket position as shown. It is important to be accurate when marking. Always mark the centre of the hole.

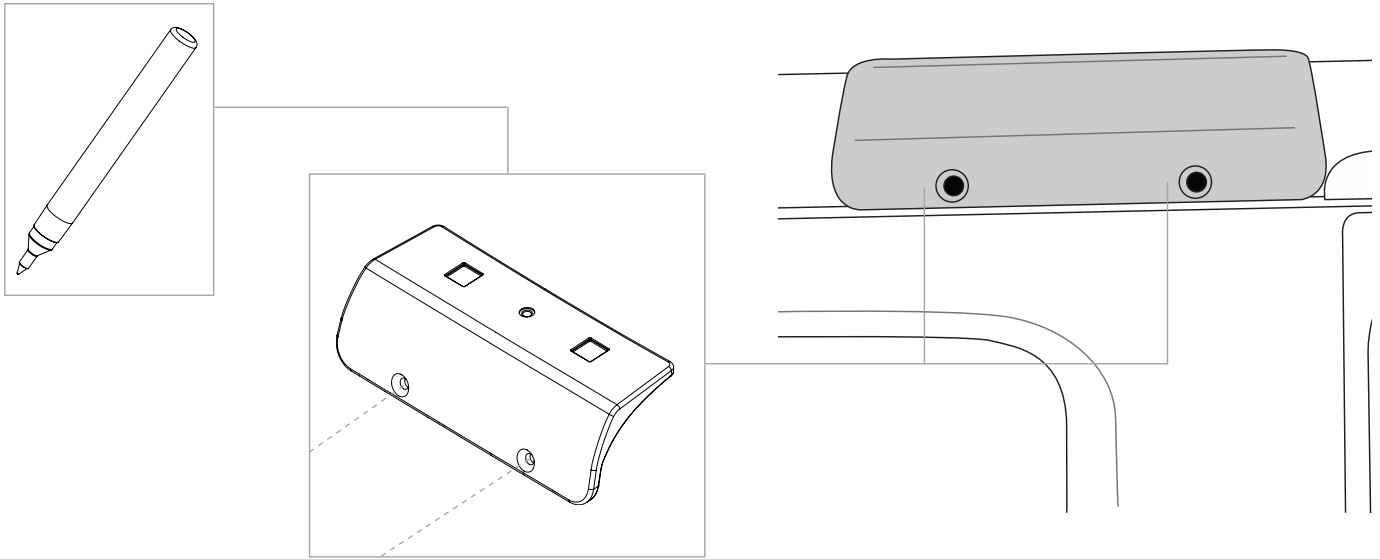


- 6** Align the Centre Bracket **against** the rain gutter on the Hard Top.

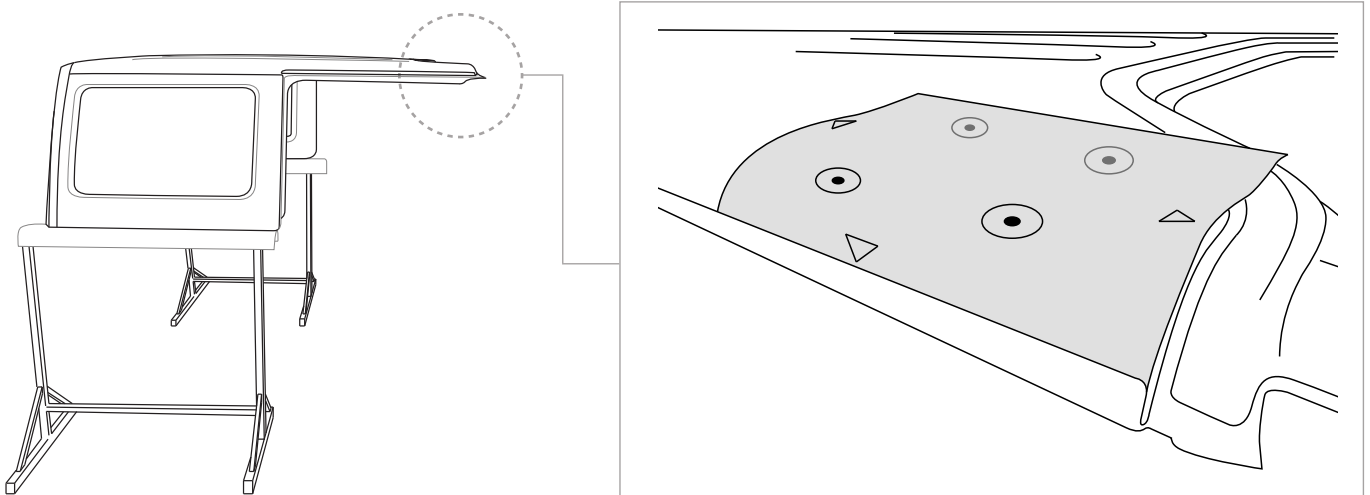




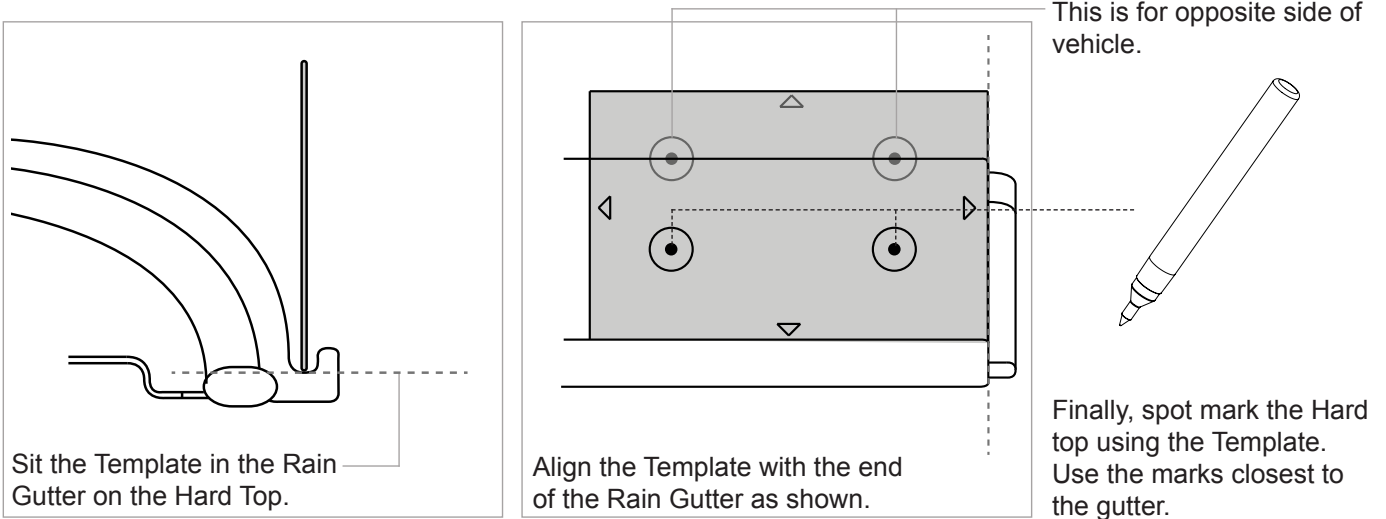
7 With the Centre Bracket aligned, spot mark the bracket position as shown.



8a Place the Front Bracket Template onto the Hard top as shown (template as supplement).



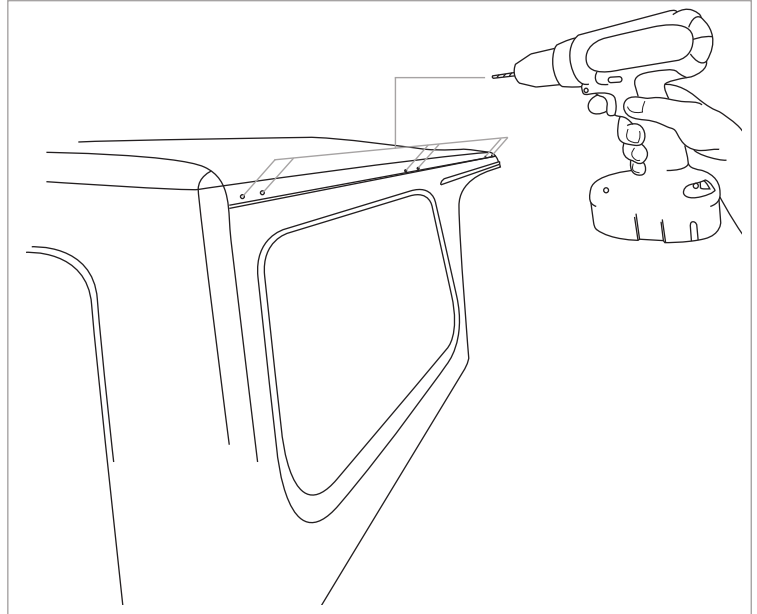
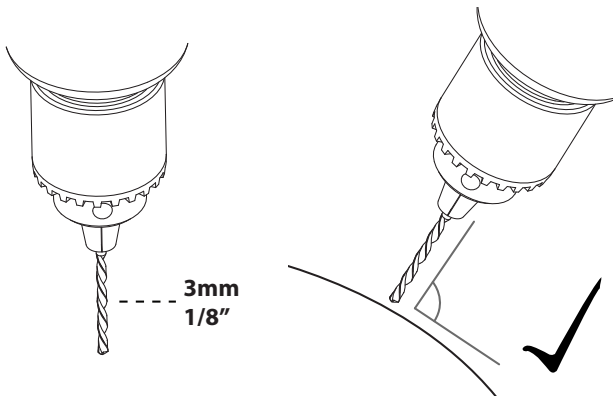
8b With the Front Bracket Template placed onto the Hard Top, align as shown and spot mark.



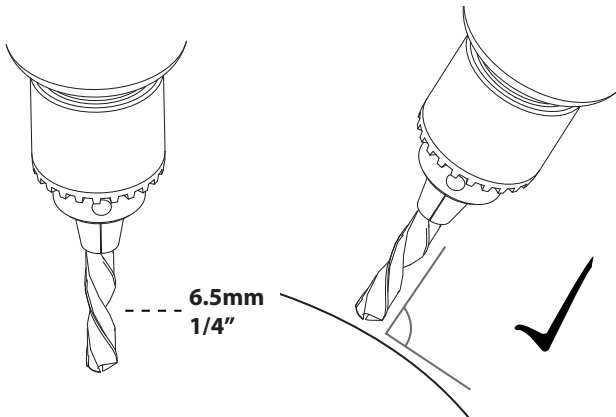


Jeep Wrangler JK 4dr Hard Top 2007 on **BACKBONE**

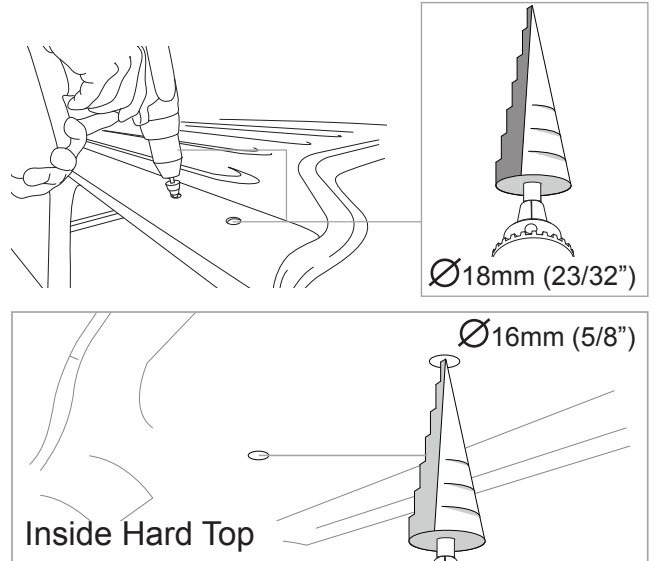
9 Using a 3mm (1/8") drill bit, spot drill **ALL spot marks** previously layed out. Angle drill when completing.



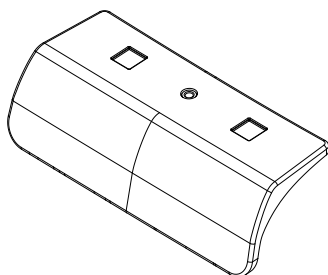
10 Using a 6.5mm (1/4") drill bit, drill out the **REAR and MIDDLE** spot drilled sections on the Hard Top.



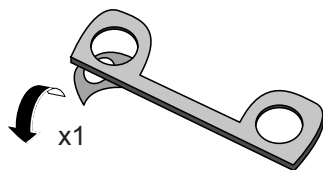
11 FRONT HOLES ONLY: Using a 6-18mm step drill bit, open out the front spot holes as shown.



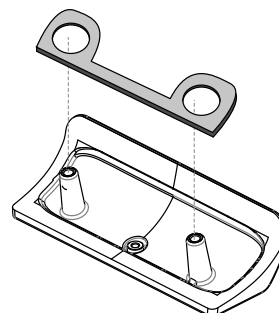
12 With relation to the Front Bracket, take corresponding foam pads and remove the protective strip as shown. Fit to bracket.



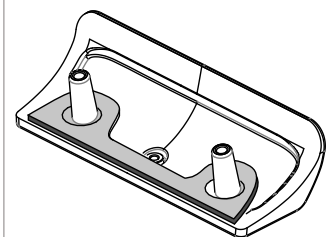
a. Remove adhesive protective strip.



b. Fit adhesive to bracket.



c. Ready for installation.



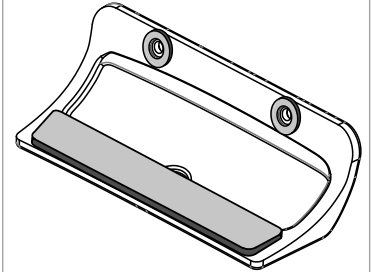
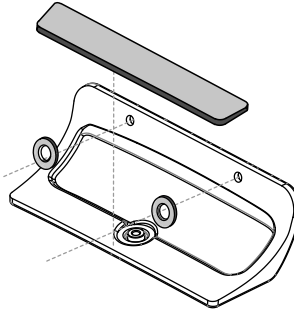
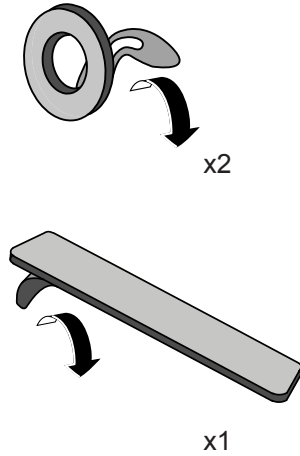
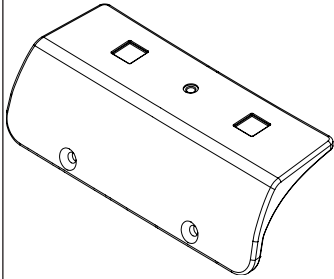


13 With relation to the Centre Bracket, take corresponding foam pads and remove the protective strip as shown. Fit to bracket.

a. Remove adhesive protective strip from corresponding parts.

b. Fit adhesive to bracket.

c. Ready for installation.

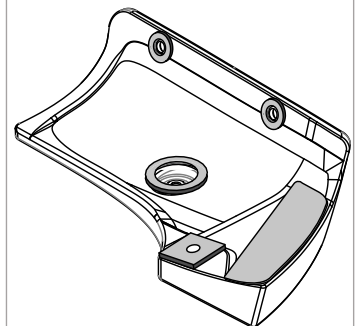
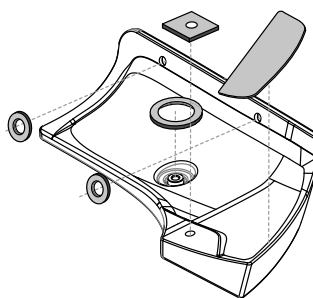
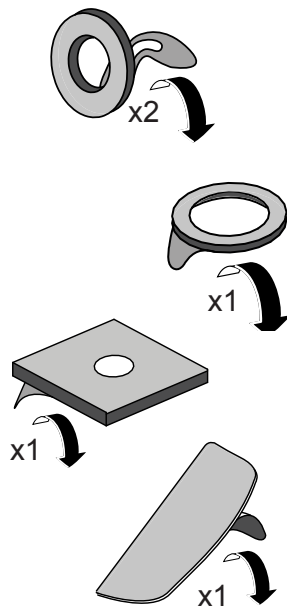
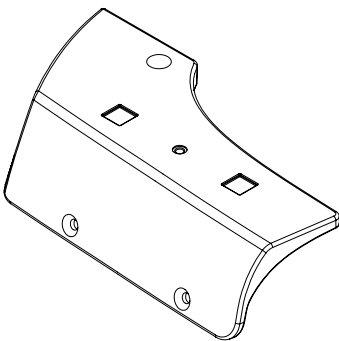


14 With relation to the Rear Bracket, take corresponding foam pads and remove the protective strip as shown. Fit to bracket.

a. Remove adhesive protective strip from corresponding parts.

b. Fit adhesive to bracket.

c. Ready for installation.

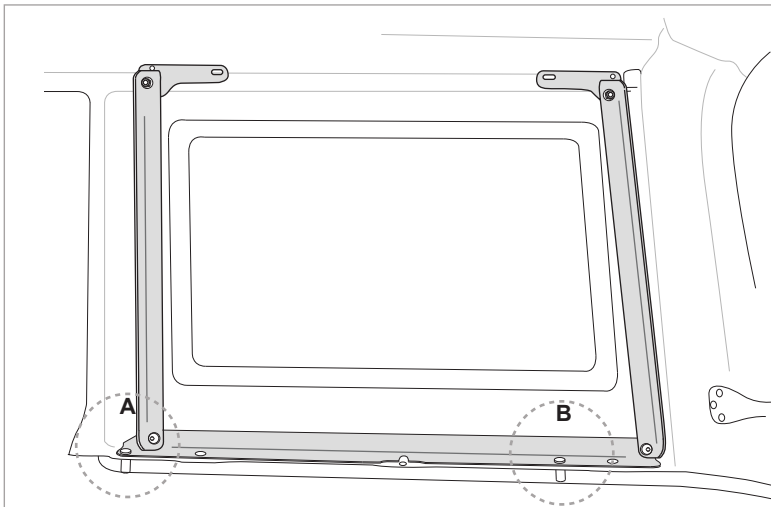




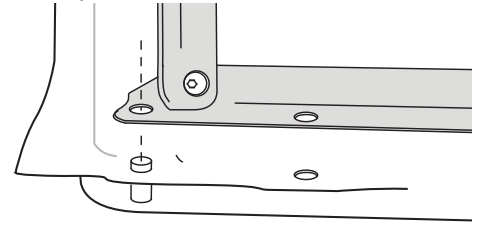
Jeep Wrangler JK 4dr Hard Top 2007 on **BACKBONE**

Note: Repeat the previous steps 4 to 14, for the opposing side of the Hard Top

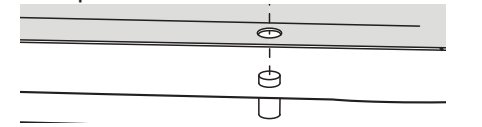
15 With assistance to hold the Support Strut in place, set the assembly on the inside of the Hard Top as shown.



A. The Support Strut will slot onto the Hard Top studs as shown.

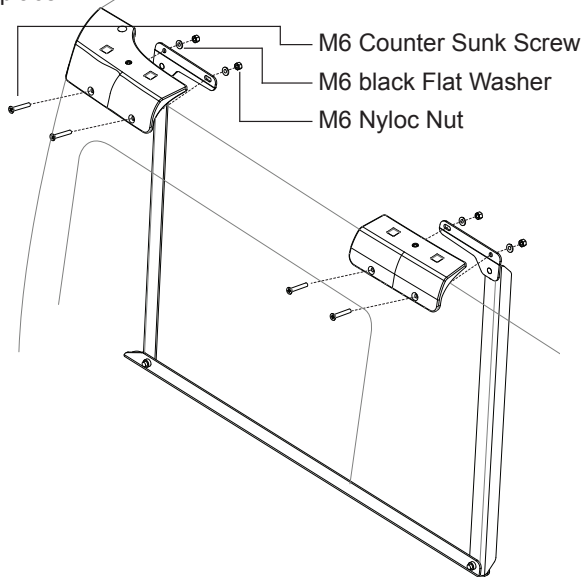


B. The Support Strut will slot onto the Hard Top studs as shown.

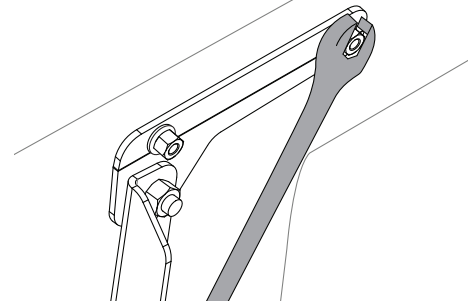


16 With assistance to hold the Support Strut in place, move to the outside of the Hard Top. Place the REAR Bracket in place. Insert M6 counter sunk screws, fastening from the inside with M6 black flat washers and M6 Nyloc nuts. Hold the nyloc nuts in place with a 10mm spanner. Tighten from the outside with a 4mm allen key. Repeat this process for the CENTRE Bracket.

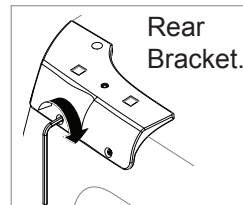
1. Assemble as shown. Finger tighten to fix in place.



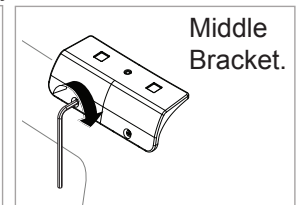
2. Hold Nyloc Nut with a spanner, allowing the bracket to be tightened from the outside.



3. Fix with a 4mm Allen Key.



Rear Bracket.

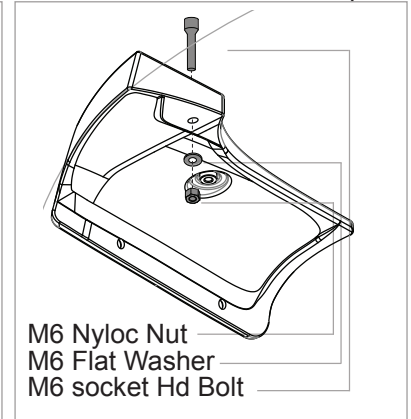
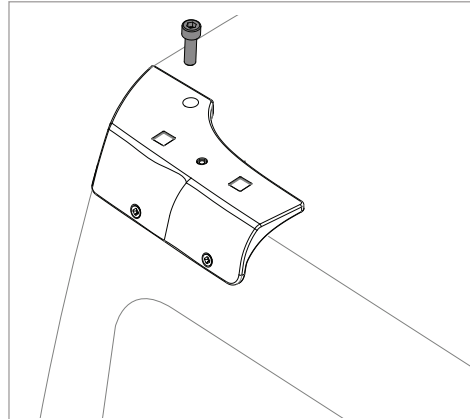
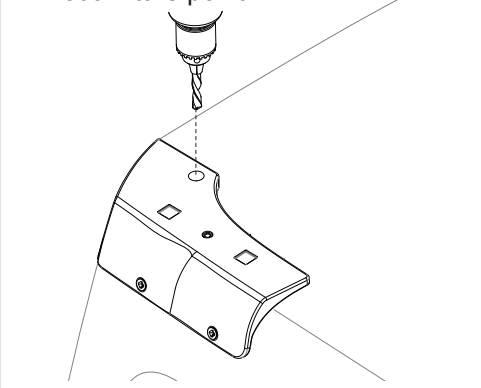


Middle Bracket.

17 With Rear Bracket now secure, drill out the top fixture point with a 6.5mm (1/4") bit. Use an M6 socket HD bolt with O'ring, an M6 flat washer and an M6 nyloc nut to fix the bracket.

View from inside Hard Top

Drill out fixture point.

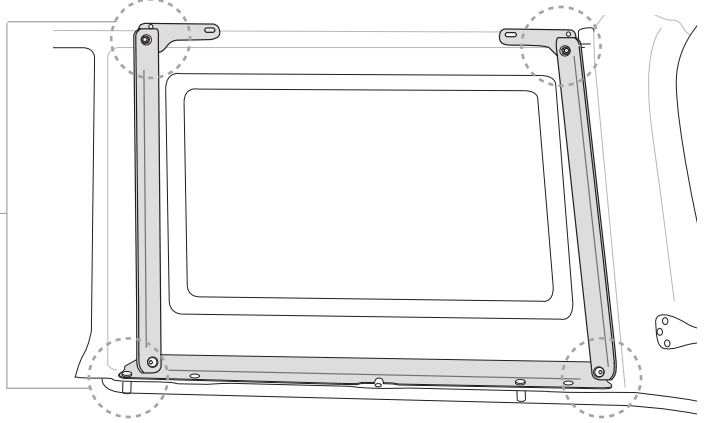
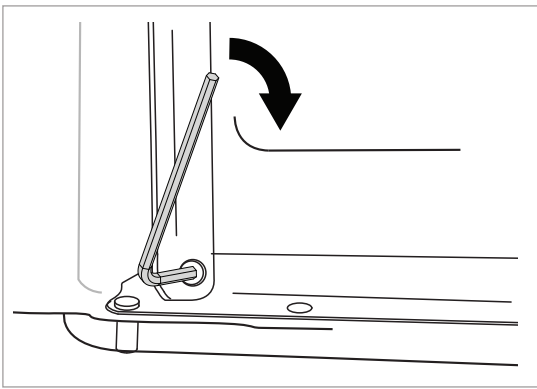


M6 Nyloc Nut
M6 Flat Washer
M6 socket Hd Bolt



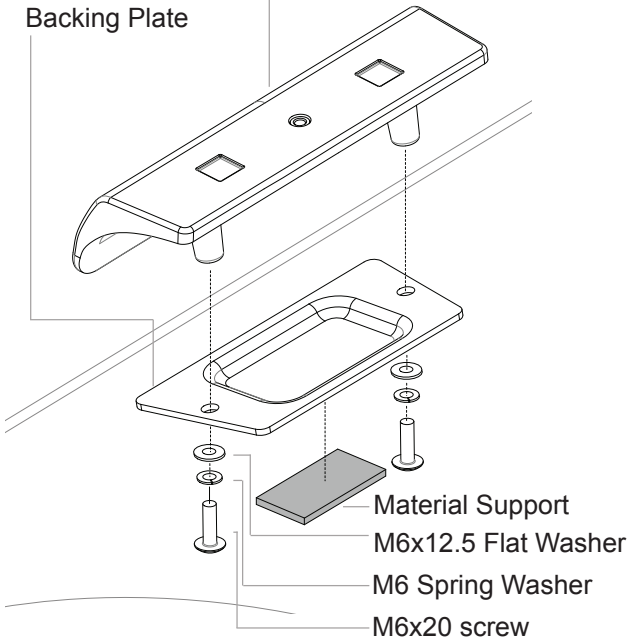
Jeep Wrangler JK 4dr Hard Top 2007 on **BACKBONE**

18 Tighten supports with a 5mm allen key. Top of supports will require a 13mm spanner.

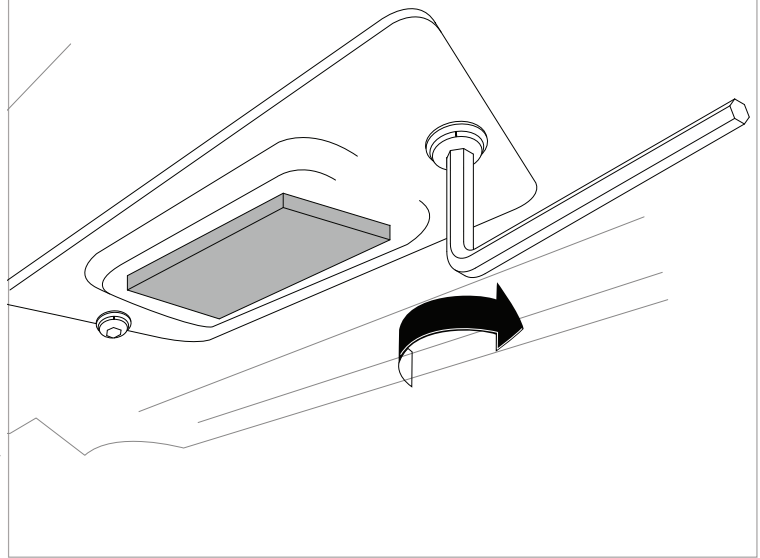


19 Place the FRONT Bracket onto the Hard Top. Using the black M6x20 dome head setscrews, M6 spring washers and M6 flat washers, attach the Backing plate and material support to the Front Bracket from inside the Hard Top as shown. Tighten with a 4mm Allen Key.

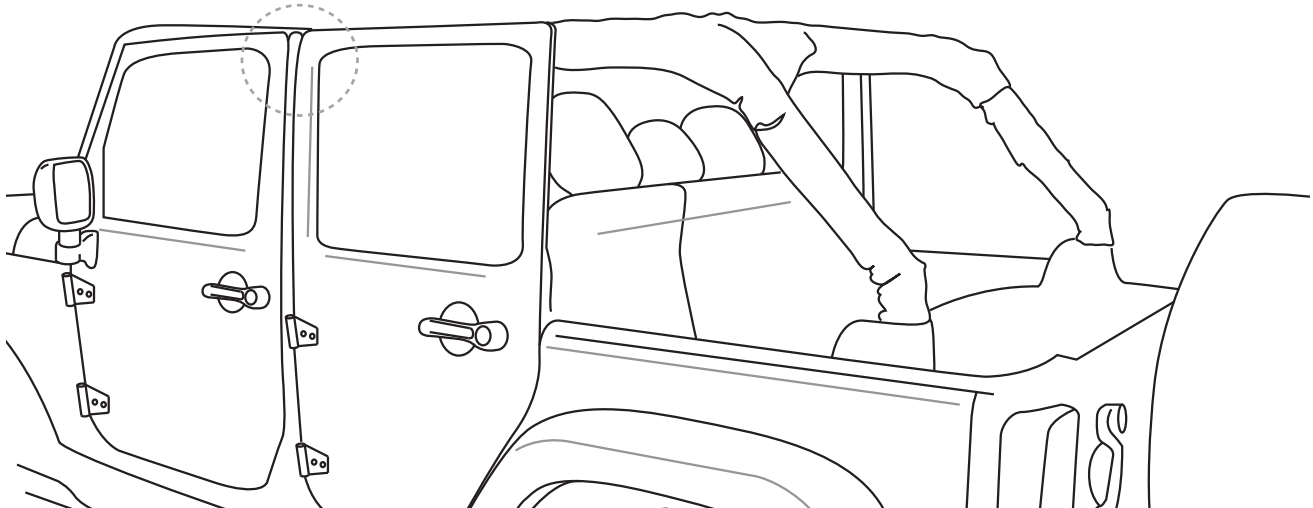
Front Bracket
Backing Plate



Tighten Backing Plate to the Front Bracket from the inside of the Hard Top. Max Torque 4-5Nm/ 3-4lbs/ft.



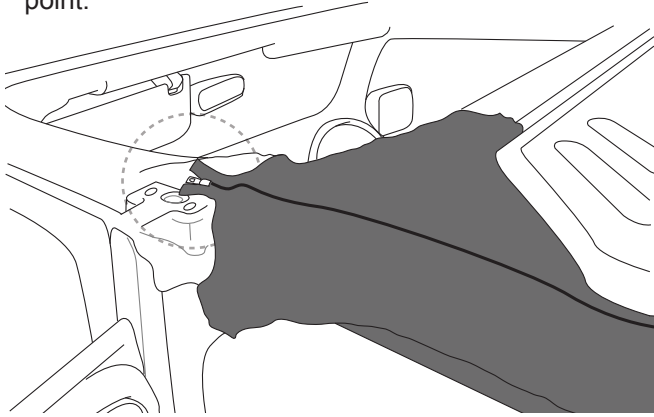
20 Move to the centre of the vehicle as shown.



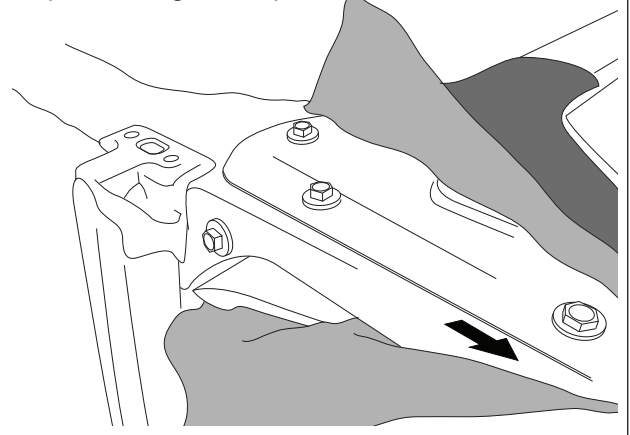


Jeep Wrangler JK 4dr Hard Top 2007 on **BACKBONE**

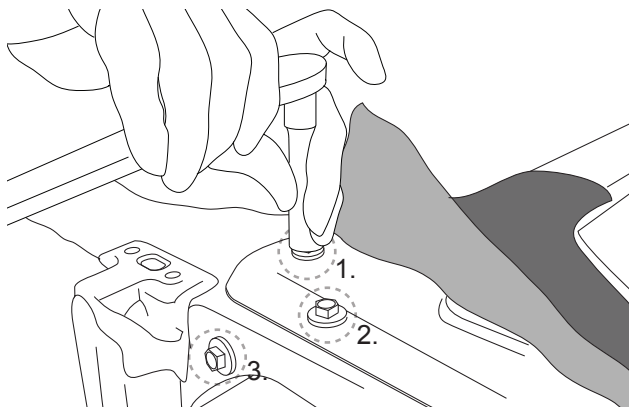
21 Locate zipper concealing the Jeep's bracket fixture point.



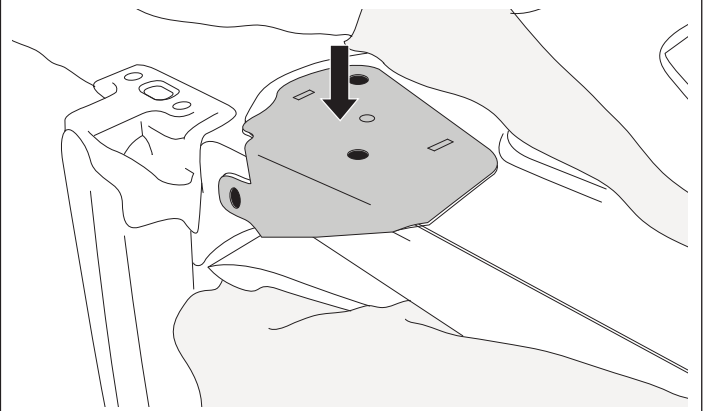
22 Unzip, revealing fixture point.



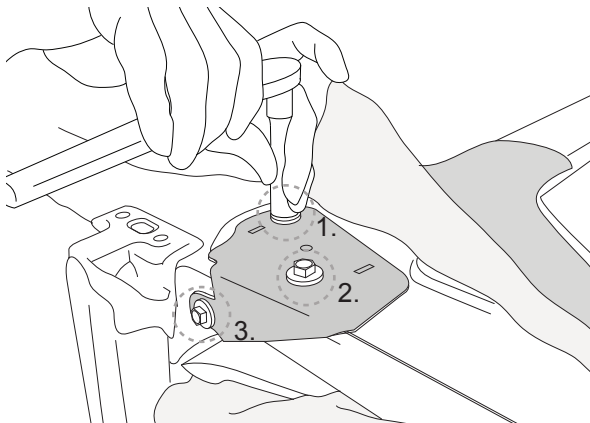
23 Remove hardware with a 13mm socket wrench.



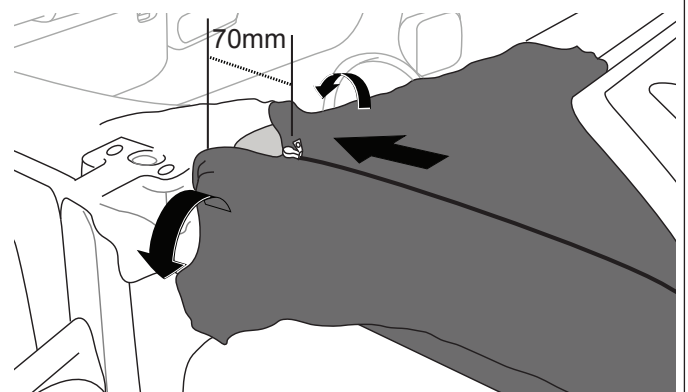
24 Place Jeep Bracket onto vehicle as shown.



25 Replace hardware with a 13mm (1/2") socket wrench.

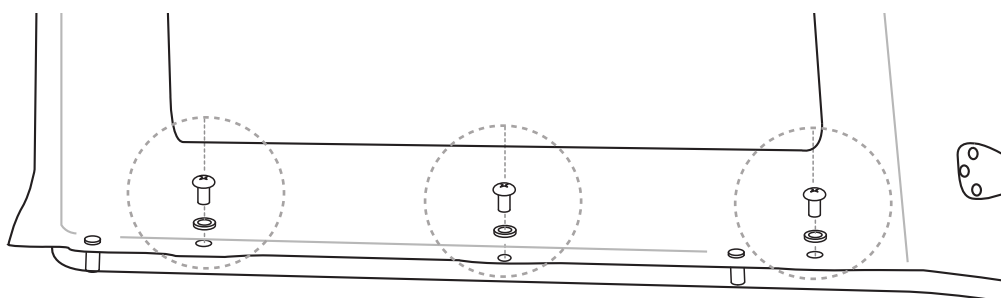


26 Re-zip protective cover to 70mm from the top. Tuck any excess material under and out of the way.



Note: Repeat previous steps 15-26 for the opposing side of the Hard Top

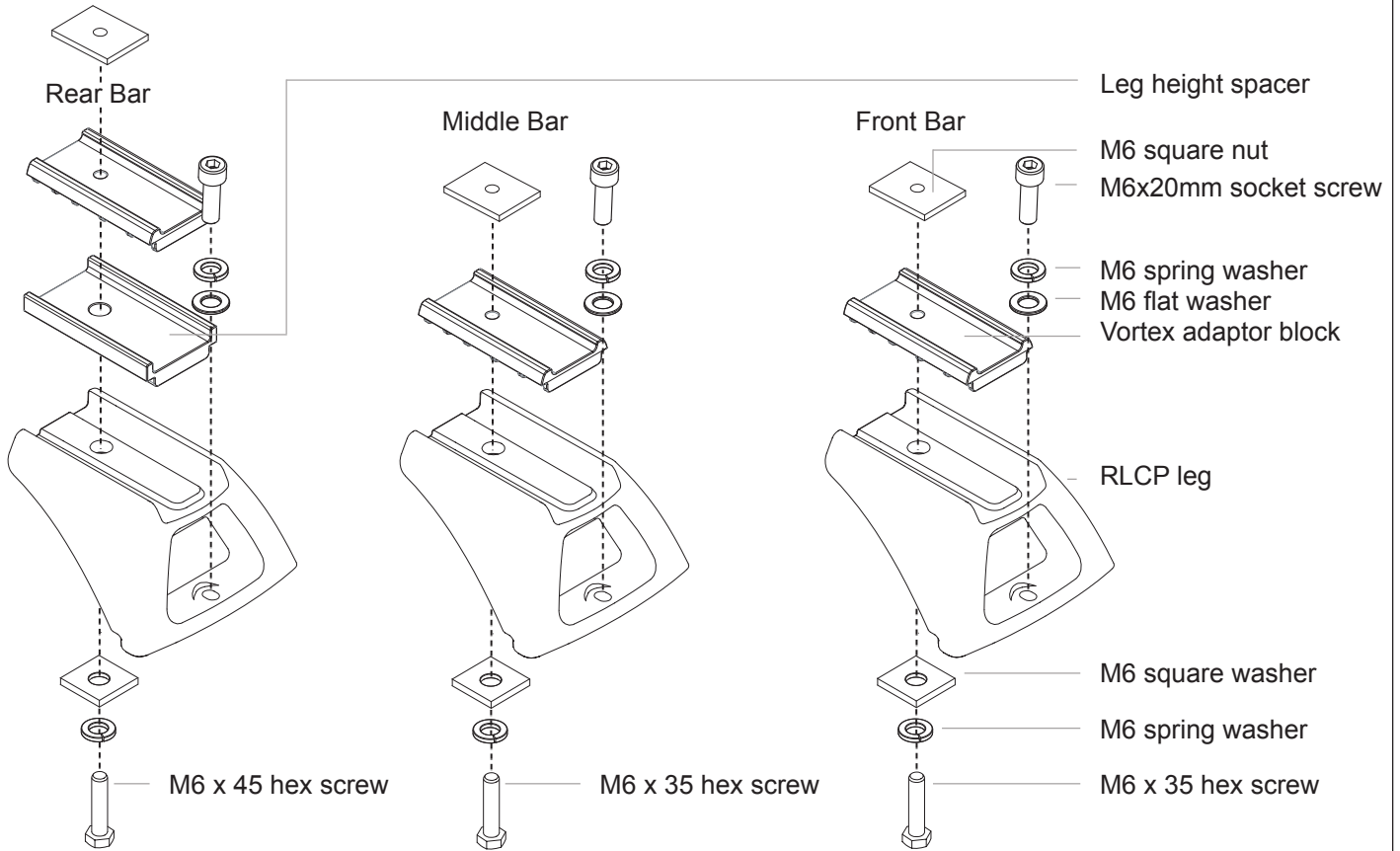
27 Place the Hard Top back onto the Jeep (refer to manufacturers instructions). Replace the hardware removed in step 1 on both sides of the inner Hard Top.



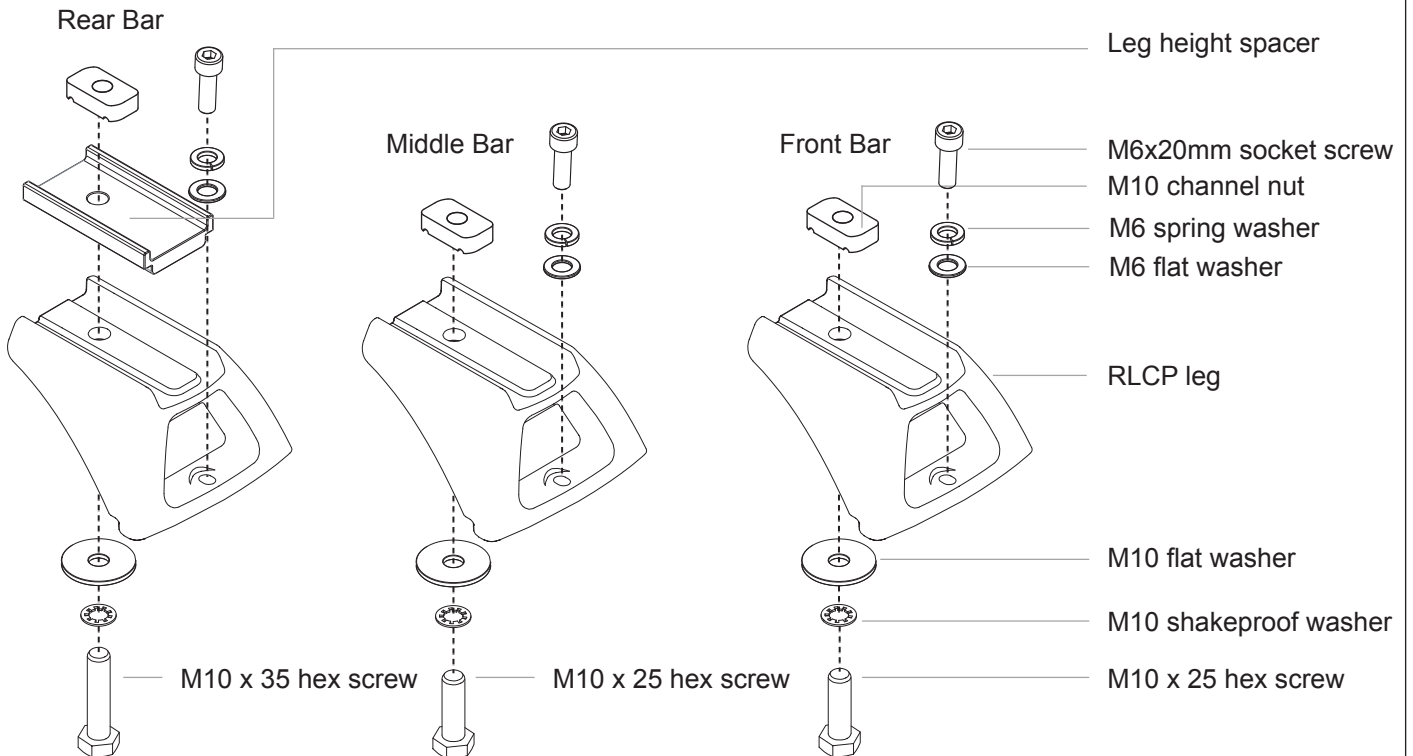


Note: Crossbars must be purchased separately. The following steps show crossbar assembly.

28 Set up for 3 Vortex Crossbars as follows.

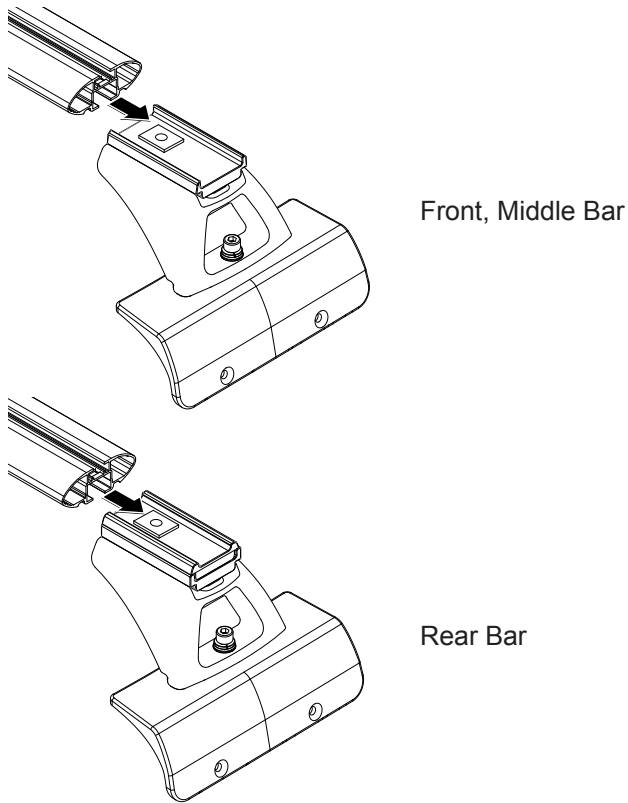


29 Set up Heavy Duty Crossbars as follows.

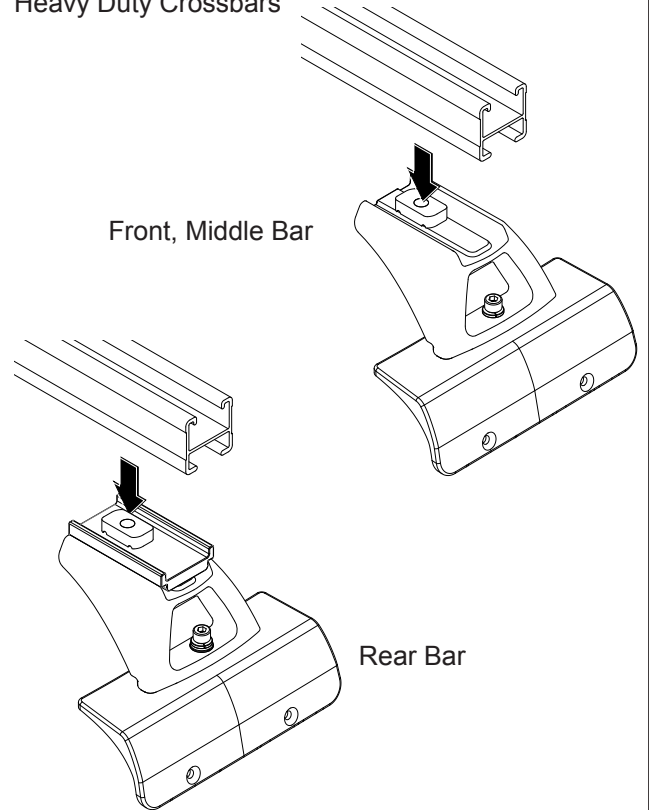




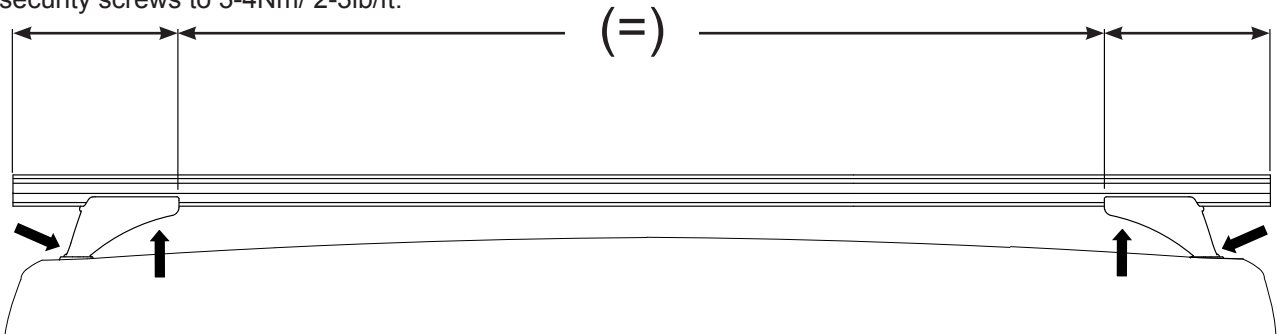
30 Attach Vortex Crossbars



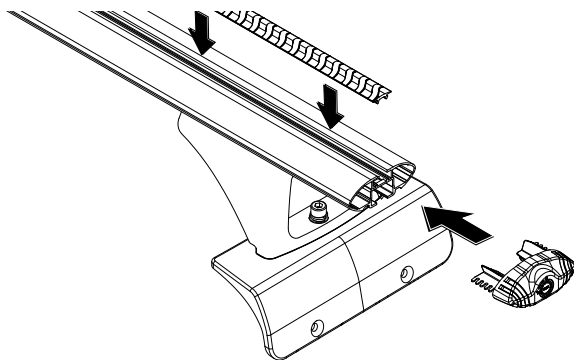
Heavy Duty Crossbars



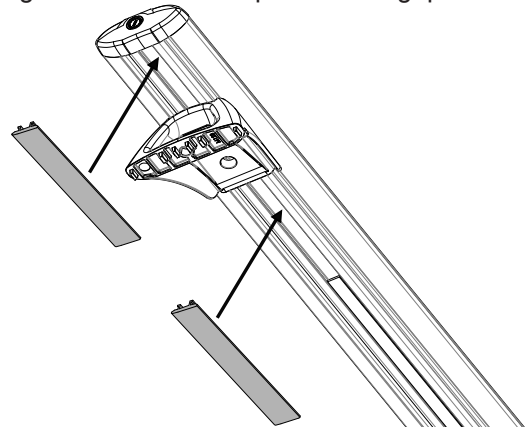
31 Adjust crossbar overhang to be equal on both sides. Tighten M6 crossbar bolts to 3-4Nm/ 2-3lb/ft. Tighten M6 security screws to 3-4Nm/ 2-3lb/ft.



32 Insert vortex rubber and end caps into all crossbars.



33 Measure the under bar slot length each side of the leg. Cut under bar strips to fill the gaps.



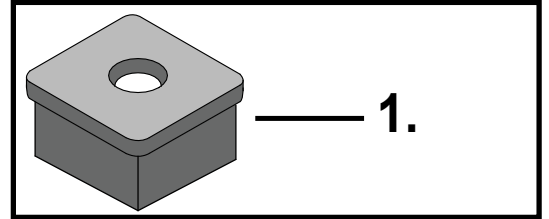
Note: RE-CHECK ALL FASTENERS ARE SECURE.



RHINO-RACK

QMFK01

Item	Component Name	Qty	Part No.
1	M6 Nut with Foam	8	N018
2	Instructions	1	R577



1

Move to the tub of the vehicle. Remove the rubber plugs closest to the cabin in the tracks on either side of the tub.

2

With the plugs removed, slide four M6 nuts in both sides, foam side down.

3

QMDHD05 Fit Kit.

Fit the RLT600 Leg Kit as shown in their instructions. QMHD05 must be purchased to fit Heavy Duty Bars.

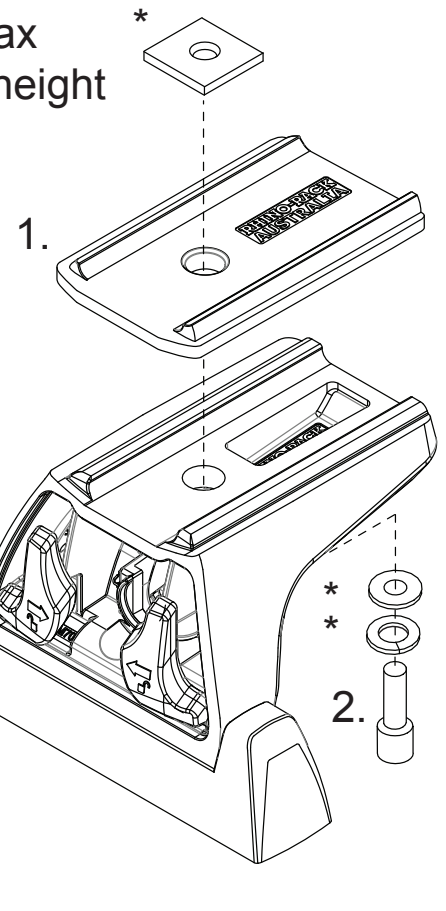


RHINO-RACK

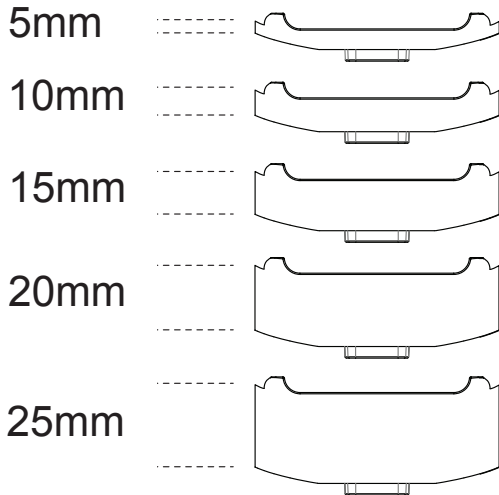
QMVA05

Item	QMVA05	Qty	Part No.
1	Quick Mount VA 5mm Spacer	2	M760
2	M6x25 Socket HD Cap Screw	2	B039
3	Instructions	1	R564

Note: Max
Spacer height
30mm



Quick Mount Spacers can be combined to achieve a desired height.



*Fix the Quick Mount Spacer to the Leg using the hardware in the leg kit. The bolts found in the spacer kit will replace the original in the leg kit.

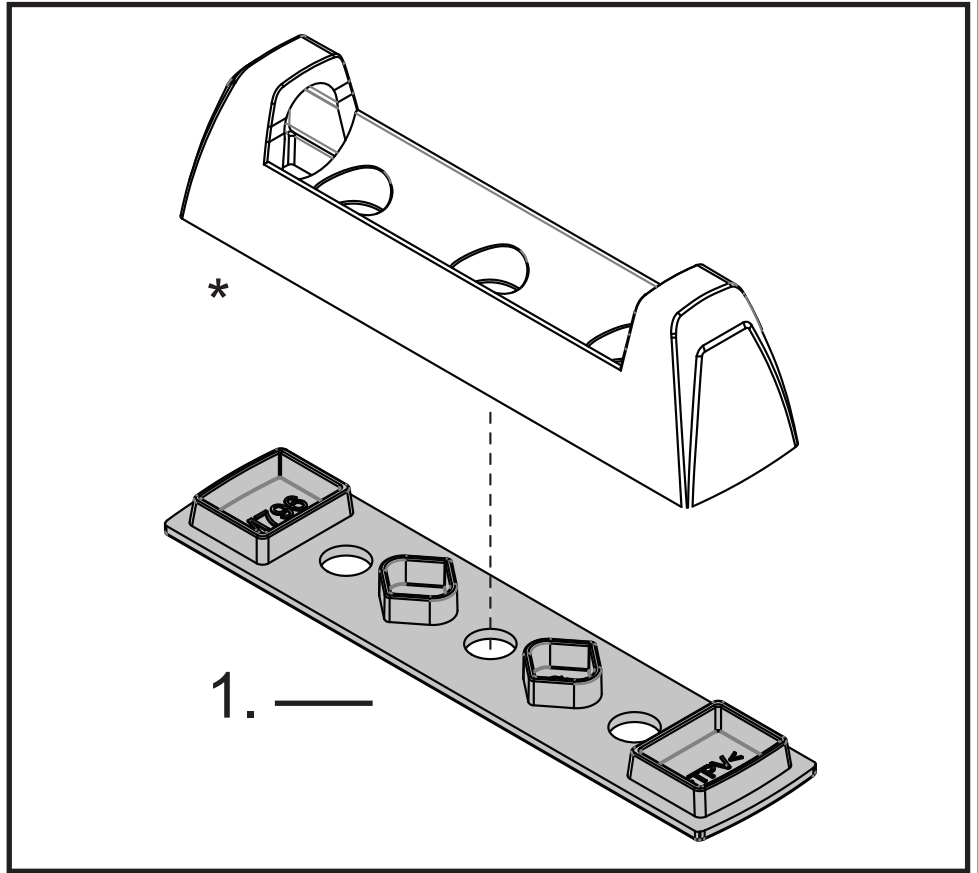


RHINO-RACK

QMFK06

***Note:**

RLT600 Parts as separate.
Fix the Quick Mount Rubber Flat Base into the Quick Mount Leg base as shown.



Item	Component Name	Qty	Part No.
1	Quick Mount Rubber Flat Base	4	M796
2	Instructions	1	R770

Issue: 01

Document No: R770

Prepared: Kayle Everett