

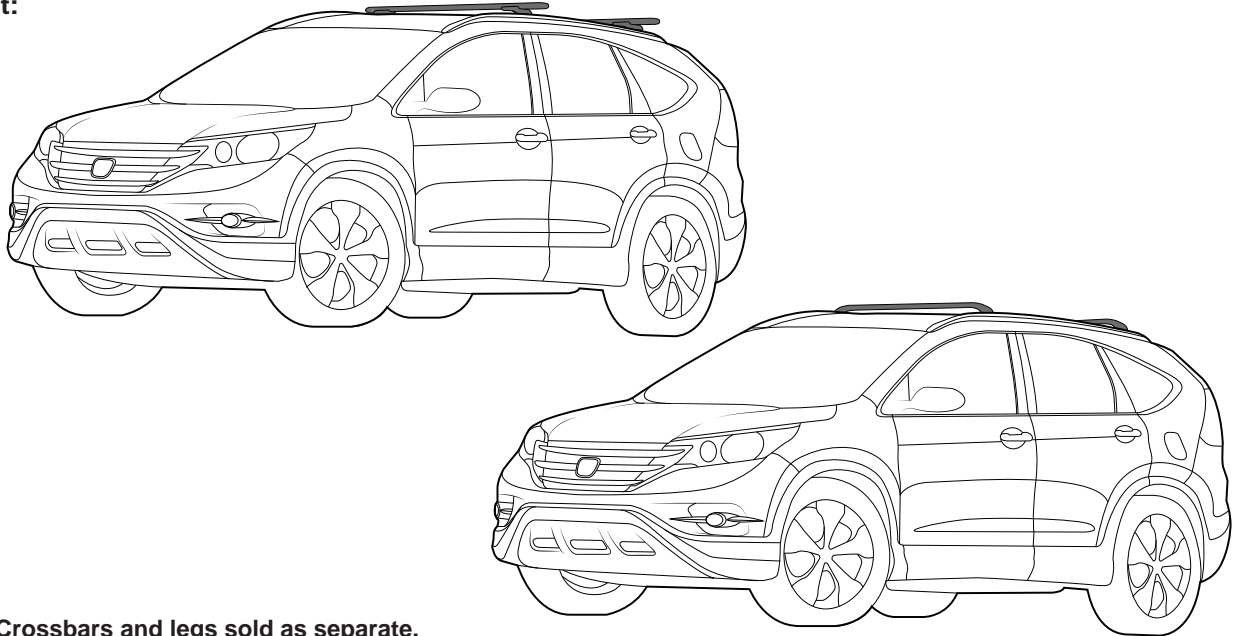


# RHINO-RACK

## RCP33-BK Honda CR-V 30

**Important:** Please read these instructions carefully prior to installation. Please refer to your fitting instruction to ensure that the Roof Rack System is installed in the correct location. Check the contents of kit before commencing fitting and report any discrepancies. Place these instructions in the vehicle's glove box after installation is complete.

### Layout:



**Note:** Crossbars and legs sold as separate.

### Important Information

1.  Check Part No./Kit is correct
2.  Read through instruction before installing
3.  Fit roof rack accessory
4.  Check and recheck all fasteners are secure

**Maximum roof load: 75/165lbs evenly distributed across two crossbars. Refer to vehicle owners manual for maximum roof loading. Always use lower of the two figures. Note: Be sure to check Rhino-Rack website to see if you have the latest version of instructions before beginning installation.**

#### Recommendations:

It is essential that all bolt connections be checked after driving a short distance when you first install your crossbars. Bolt connections should be checked and lubricated at regular intervals (probably once a week is enough, depending on road conditions, usage, loads and distances travelled). You should also check the crossbars each time they are refitted. Make sure to fasten your load securely. Please ensure that all loads are evenly distributed and that the centre of gravity is kept as low as possible.

**Crossbars must be removed when putting vehicle through an automatic car wash.**

**Use only non-stretch fastening ropes or straps.**

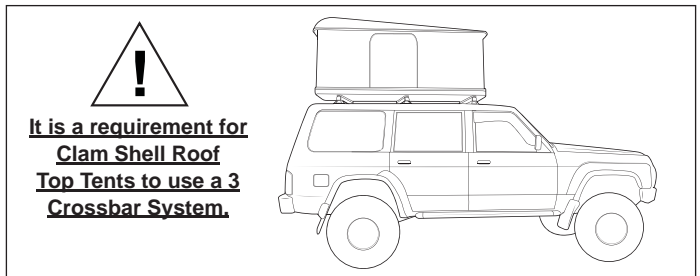
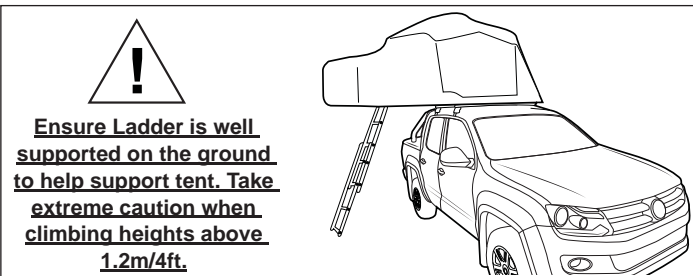
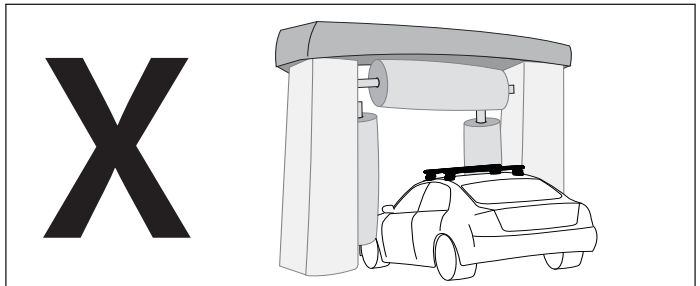
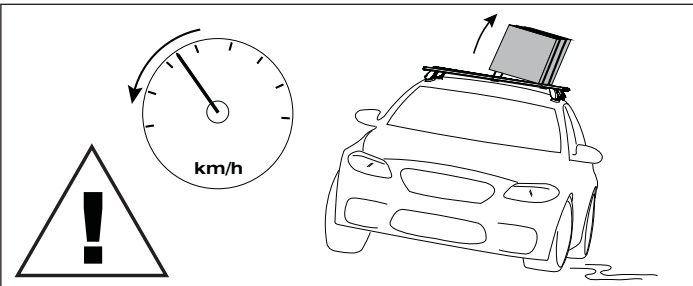
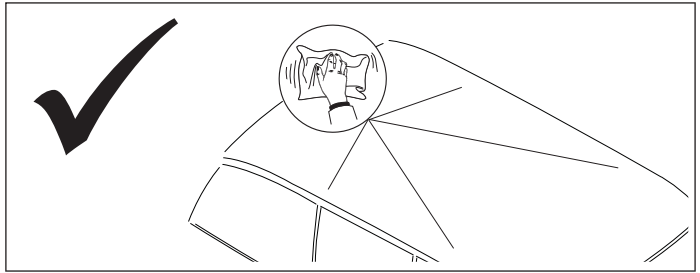
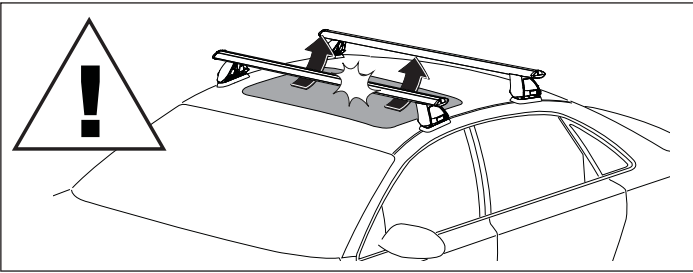
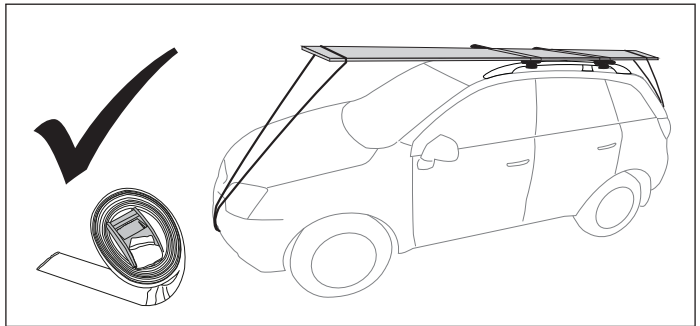
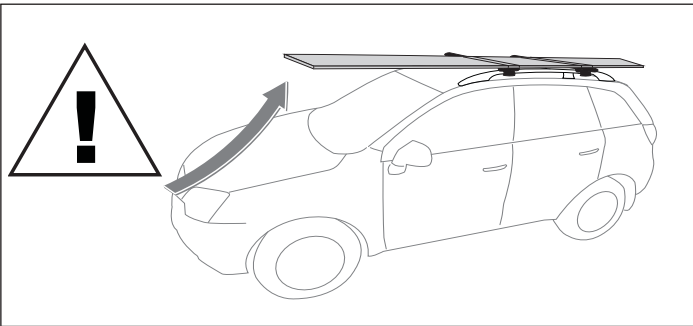
**Caution:** The handling characteristics of the vehicle changes when you transport a load on the roof. For safety reasons we recommend you exercise extreme care when transporting wind-resistant loads. Special consideration must be taken into account when cornering and braking.

#### Off-road Load Rating:

When crossbars are to be used in off-road conditions, please build a safety factor of 1.5 into this load limit for off-road use, 2 crossbars = **50kg 110lbs**. Although the crossbars are tested and approved to AS1235-2000, off-road conditions can be much more rigorous. However, increasing the number of crossbars does not increase the vehicles maximum permissible roof loading.

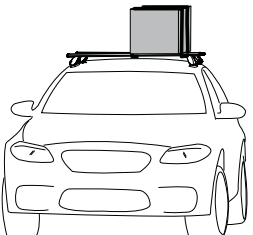
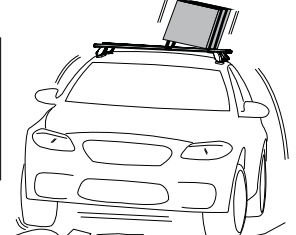


# Honda CR-V 30



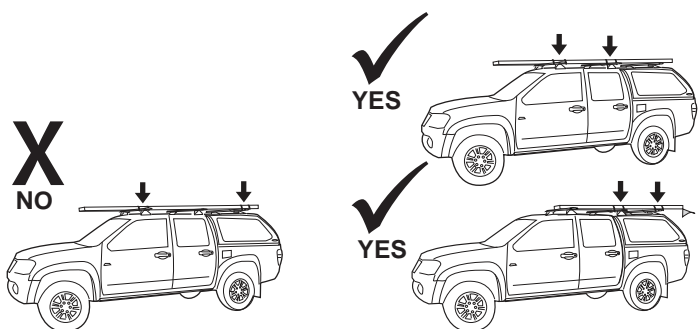
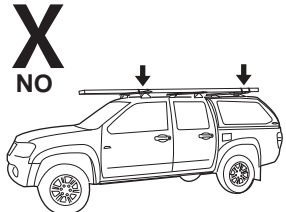
When these roof racks are to be used on a vehicle that is driven off sealed roads, the maximum roof rack load rating should be **divided by 1.5**. Do not forget to subtract 5kg from your maximum carrying capacity due to the weight of the crossbars and legs.

<b>75kg/165lbs</b> load rating (Urban road)	=	<b>50kg/110lbs</b> load rating (Off road - 75kg / 1.5)
---	---	--

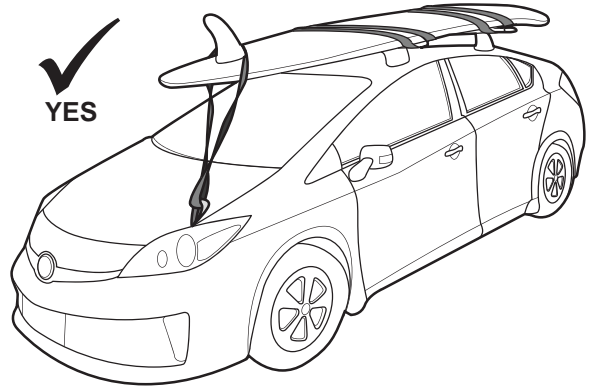



**WARNING! Important Load Carrying Instructions**

With utility vehicles, the cabin and the canopy move independently. Roof racks and vehicle can be damaged if the item transported is rigidly fixed at points on both the cabin and canopy. Instead, rigidly fix to either the cabin roof racks or the canopy roof racks.

Paddle/ Surfboards should be fixed to the front of the vehicle.



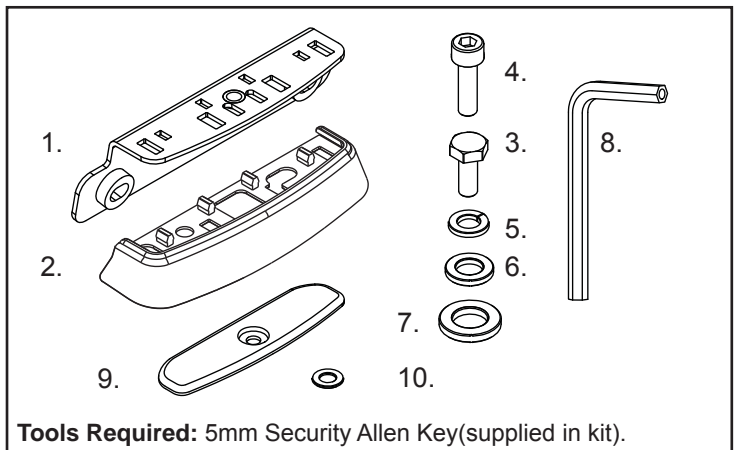
**YES**



# Honda CR-V 30

## Parts List

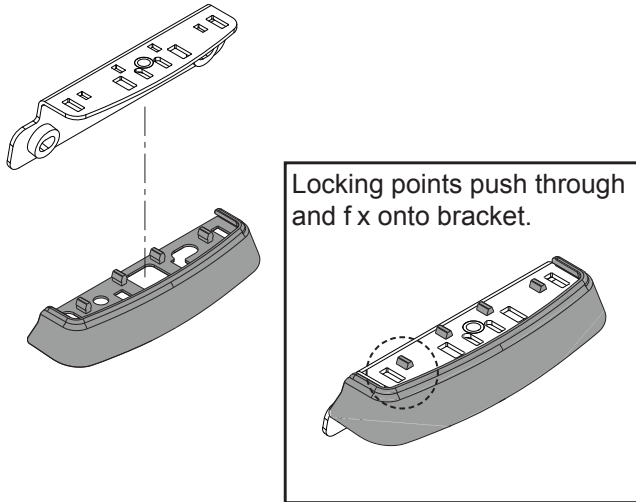
Item	Components	Qty	Part No.
1	Bracket	4	CA1273
2	Rubber Skirt	4	M725
3	M6 x 16 Hex Setscrew	4	B168
4	M6 x 20 Socket Screw	8	B054
5	M6 Spring Washer	12	W004
6	M6 x 12.5mm Flat Washer	8	W003
7	M6 x 16mm Flat Washer	4	W031
8	5mm Security Allen Key	1	H021
9	Cover Plate	4	M126
10	M6 Washer (used on cover plate)	4	W003
11	Fitting Instructions	1	R1337



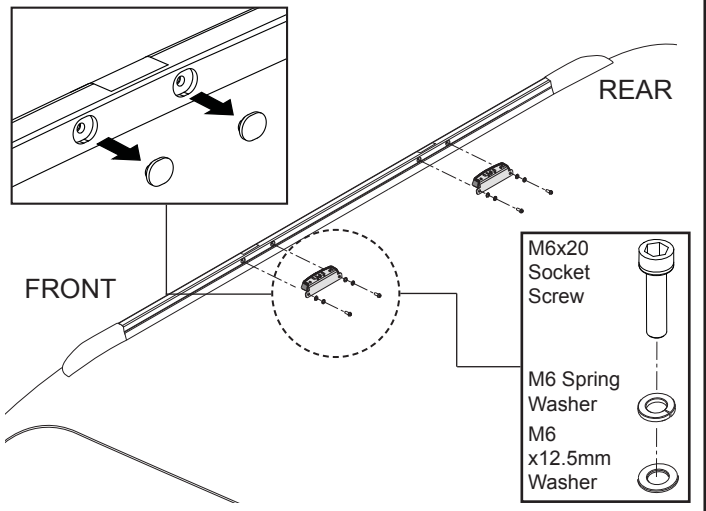
**Tools Required:** 5mm Security Allen Key(supplied in kit).

## Instructions

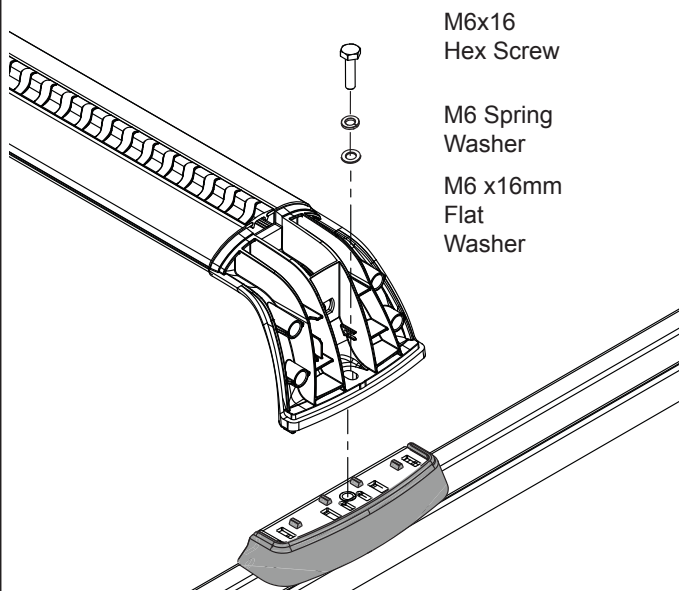
- 1** Install the mounting bracket onto the rubber skirt. Note that the four locking points on the rubber skirt push through and fix onto the bracket.



- 2** Remove rubber covers over threads on the factory rails. Fixture points are located on both rails facing inward. Install bracket assembly.



- 3** Fix the completed crossbars to the vehicle with an M6x16mm hex, M6 spring and flat washer (RVH shown as example only).



- 4** When crossbars are not in use, remove and install the cover plates as shown.

