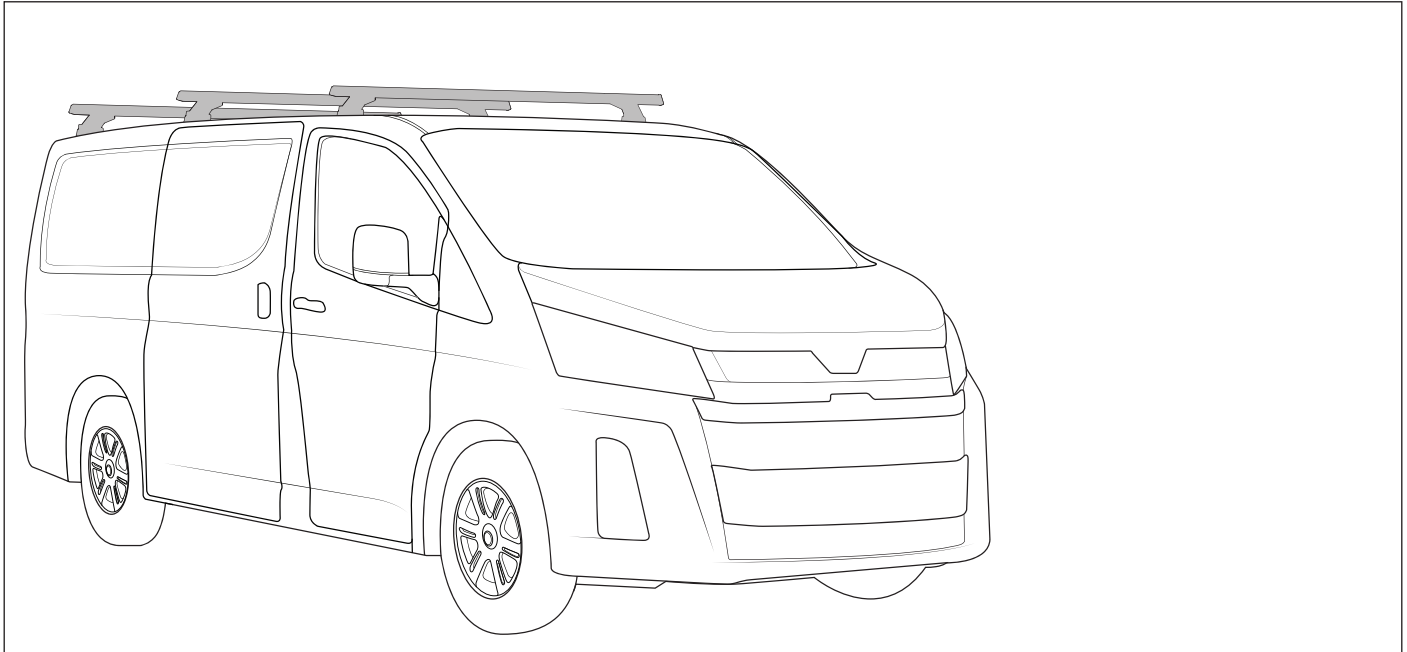




RHINO-RACK

Toyota Hiace Gen 6, H300 - RCP65-BK Base Kit



Maximum carrying capacity:

Crossbar Setup	On Road Cargo Allowance	Off Road Cargo Allowance	Roof Allowance	Rack Weight (includes legs and crossbar)
Three crossbar system	110kg / 242lbs	73kg / 160lbs	120kg / 264lbs	10kg / 22lbs

Off Road: Any driven path taken that is not on sealed (tarred / bitumen) and maintained

Roof Allowance: Total permissible weight attached to the roof of the car. This is inclusive of the weight of the roof rack system

Cargo Allowance: Total permissible weight allowed on top, and attached to roof racks whilst the vehicle is in motion

Static Allowance: Total permissible weight allowed on top, and attached to roof racks whilst the vehicle is stationary

Load must be evenly distributed over the entire Pioneer. Weight of roof rack accessories is to be included in cargo allowance.

Torque settings

Unless stated otherwise in these instructions, all fasteners should be set to the following torque settings -

M6: 4-5Nm (3-4lbs/ft), M8: 8-10Nm (6-7.5lbs/ft) and M10: 16-18Nm (12-13lbs/ft).

Warning:

- Check the Rhino-Rack website to ensure you have the latest issue of the instructions
- Check Part No. and / or Kit is correct for use with your vehicle
- Do not attempt to fit the rack system to your vehicle unless you fully understand these fitting instructions. Please direct any questions regarding fitting to the dealer from where the roof racks were purchased.
- **Use only non-stretch fastening ropes or straps.**
- The handling characteristics of the vehicle changes when you transport a load on the roof. For safety reasons we recommend you exercise extreme care when transporting wind-resistant loads. Special consideration must be taken into account when cornering and braking.
- Although the system is tested and approved to AS1235-2000 / ISO 11154, off-road conditions can be much more rigorous. Extreme care must be taken in off road conditions

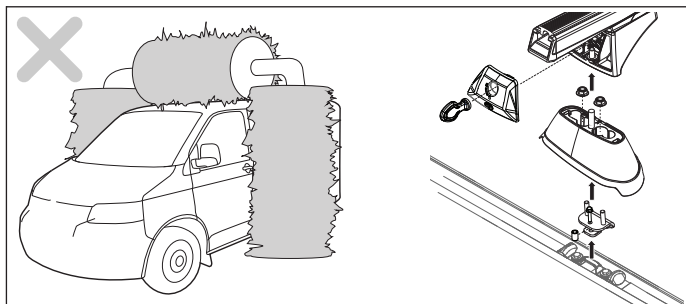
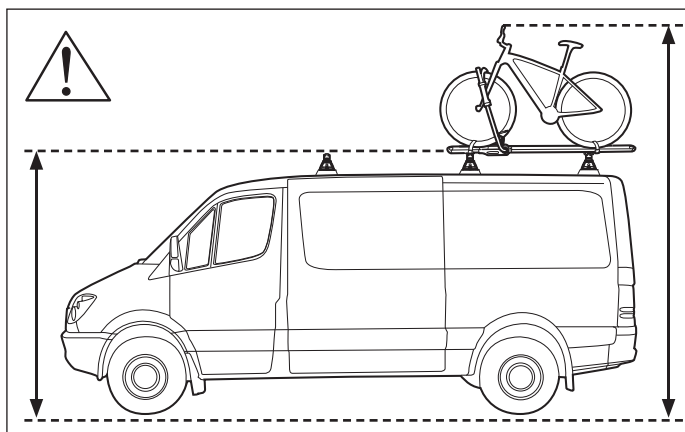
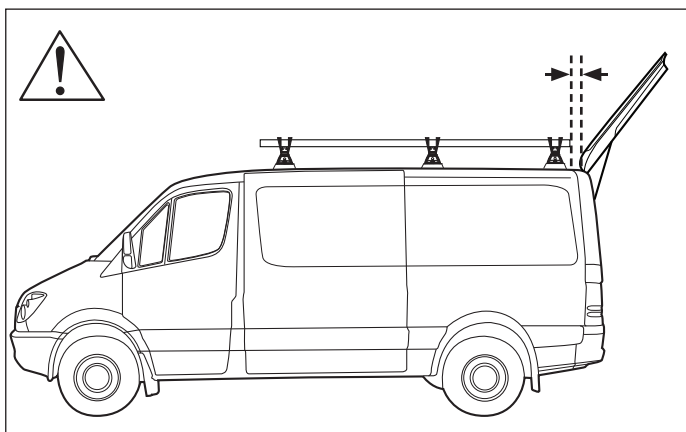
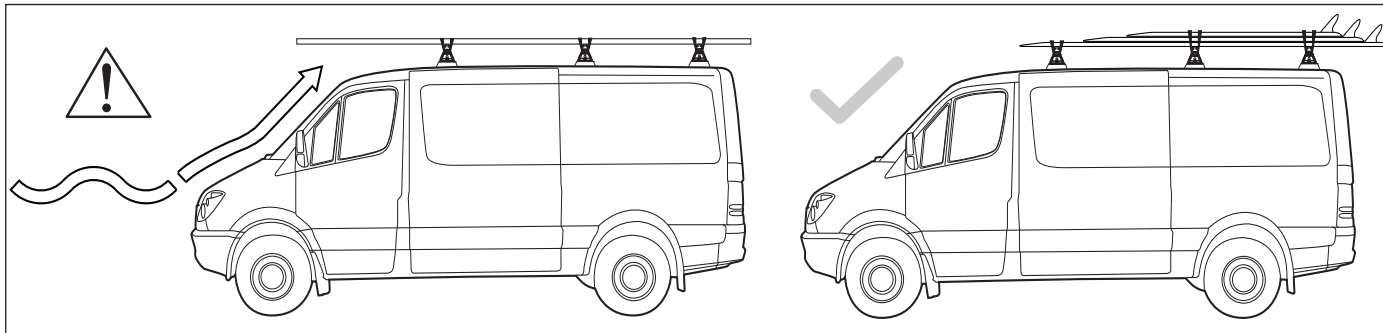
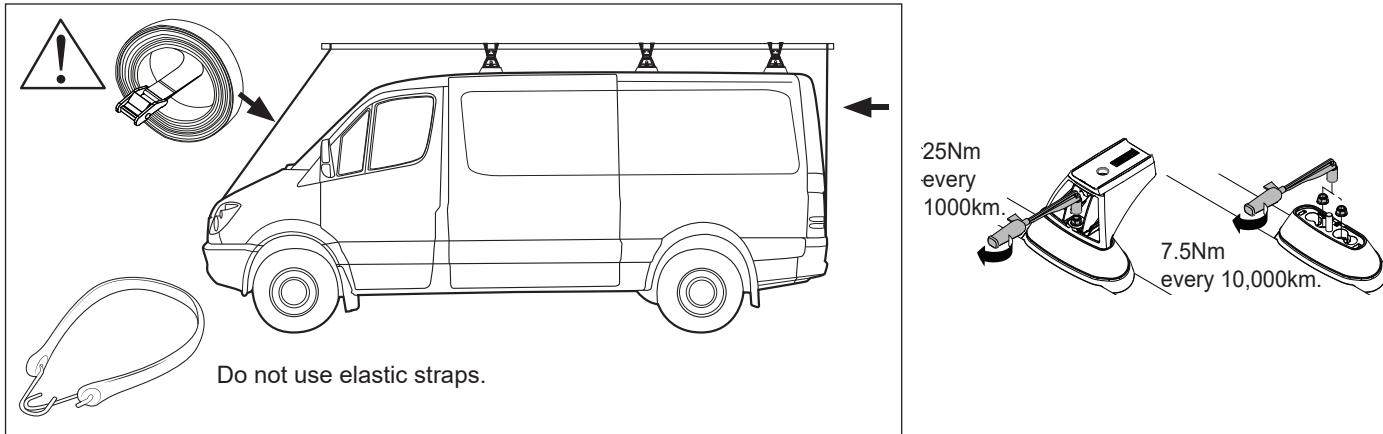
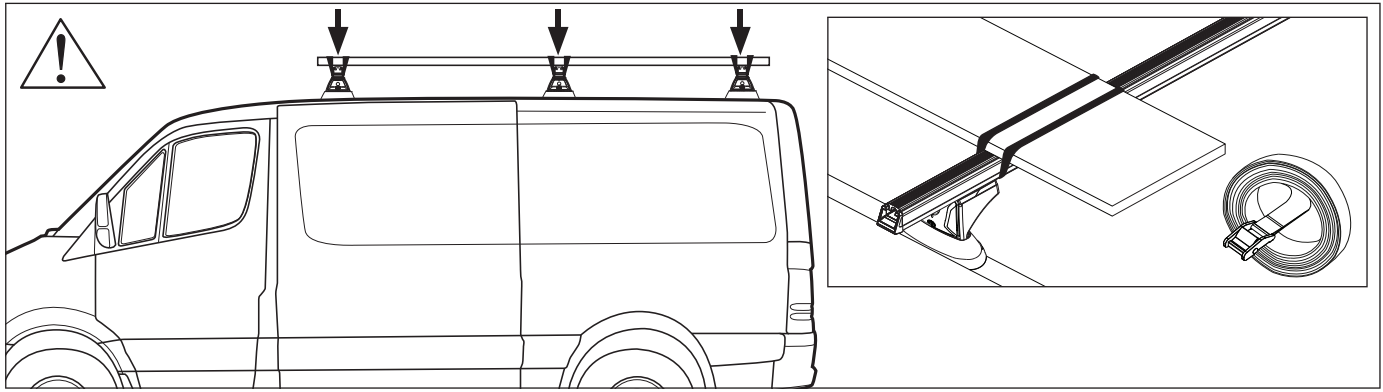
Recommendations:

It is essential that all bolt connections be checked after driving a short distance when you first install your roof racks. Bolt connections should be checked again at regular intervals (once a week is enough, depending on road conditions, usage, loads and distances travelled). You should also check the roof racks each time they are re-fitted. Always make sure to fasten your load securely. Please also ensure that all loads are evenly distributed and that the centre of gravity is kept as low as possible and must be entirely contained within the extents of the roof racks.

Note for Dealers and Fitters:

It is your responsibility to ensure these fitting instructions are given to the end user or client.

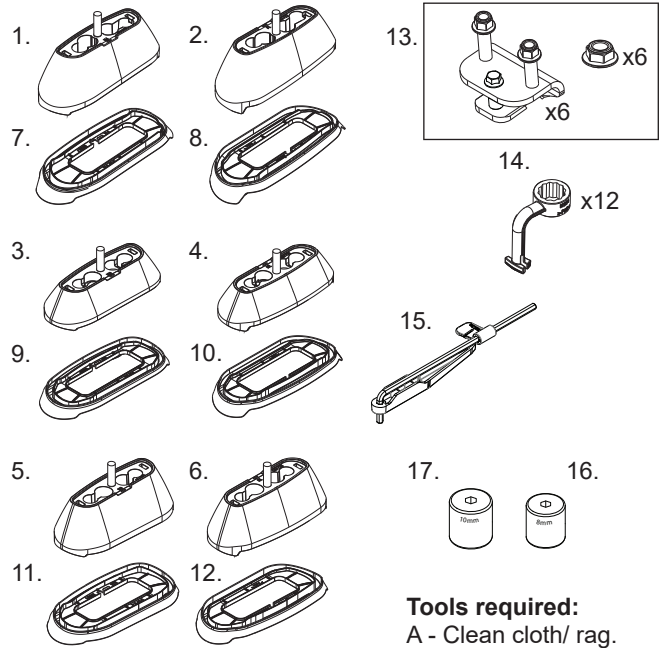
Toyota Hiace Gen 6, H300 - RCP65-BK Base Kit



Toyota Hiace Gen 6, H300 - RCP65-BK Base Kit

Parts List

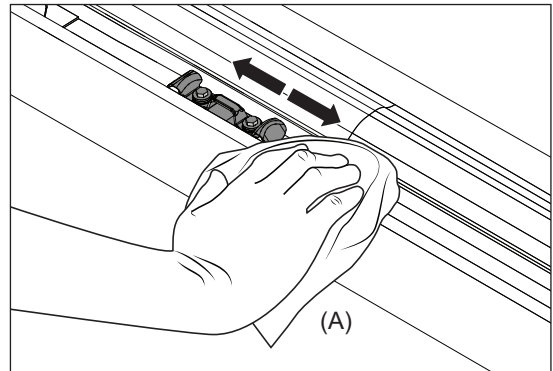
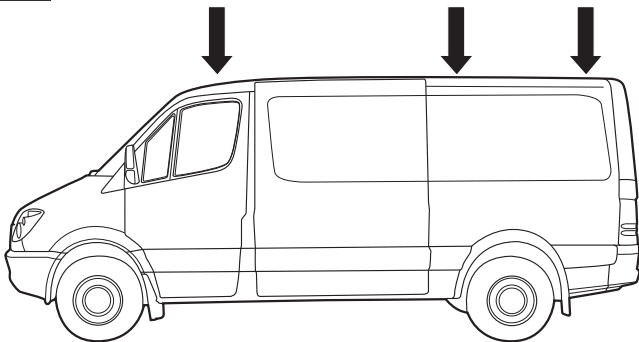
Item	Components	Qty
1	Cast Alum Pad SWB FL	1
2	Cast Alum Pad SWB FR	1
3	Cast Alum Pad SWB ML	1
4	Cast Alum Pad SWB MR	1
5	Cast Alum Pad SWB RL	1
6	Cast Alum Pad SWB RR	1
7	Rubber Skirt FL	1
8	Rubber Skirt FR	1
9	Rubber Skirt ML	1
10	Rubber Skirt MR	1
11	Rubber Skirt RL	1
12	Rubber Skirt RR	1
13	Hook and Fitting Kit (6 in bag)	1
14	M6 Anti Rotation Kit (12 in bag)	1
15	7.5Nm Torque Indicating Tool	1
16	8mm Socket	1
17	10mm Socket	1
18	Instructions	1



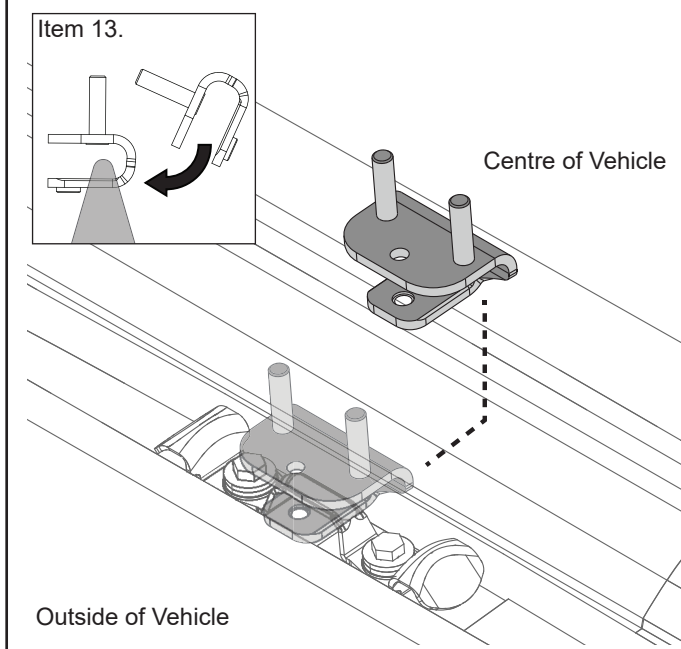
Tools required:
 A - Clean cloth/ rag.
 B - Needle nose pliers.

Instructions

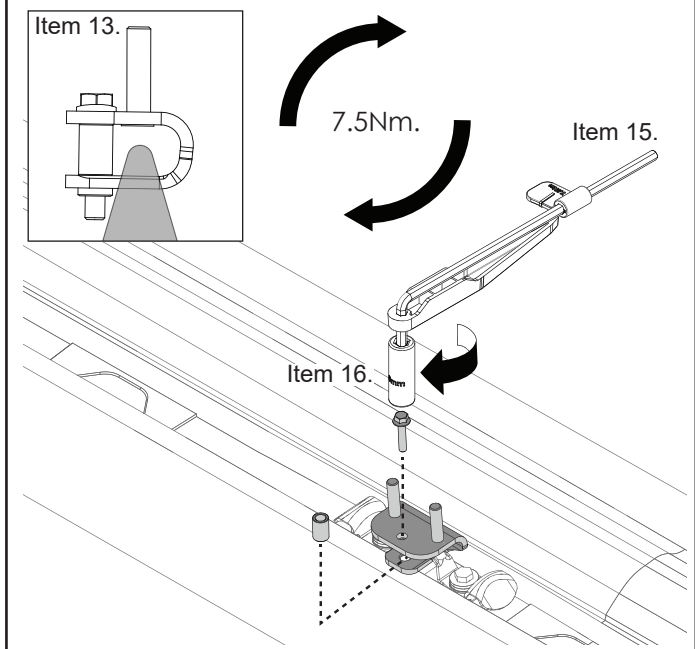
1



2A

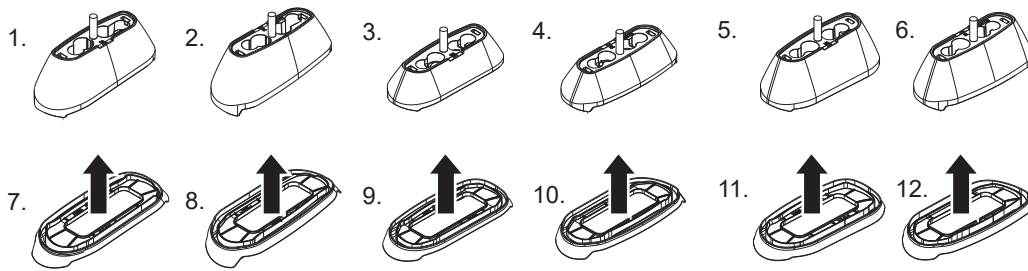


2B



Toyota Hiace Gen 6, H300 - RCP65-BK Base Kit

3



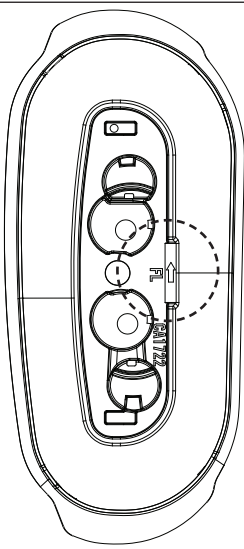
4

Important

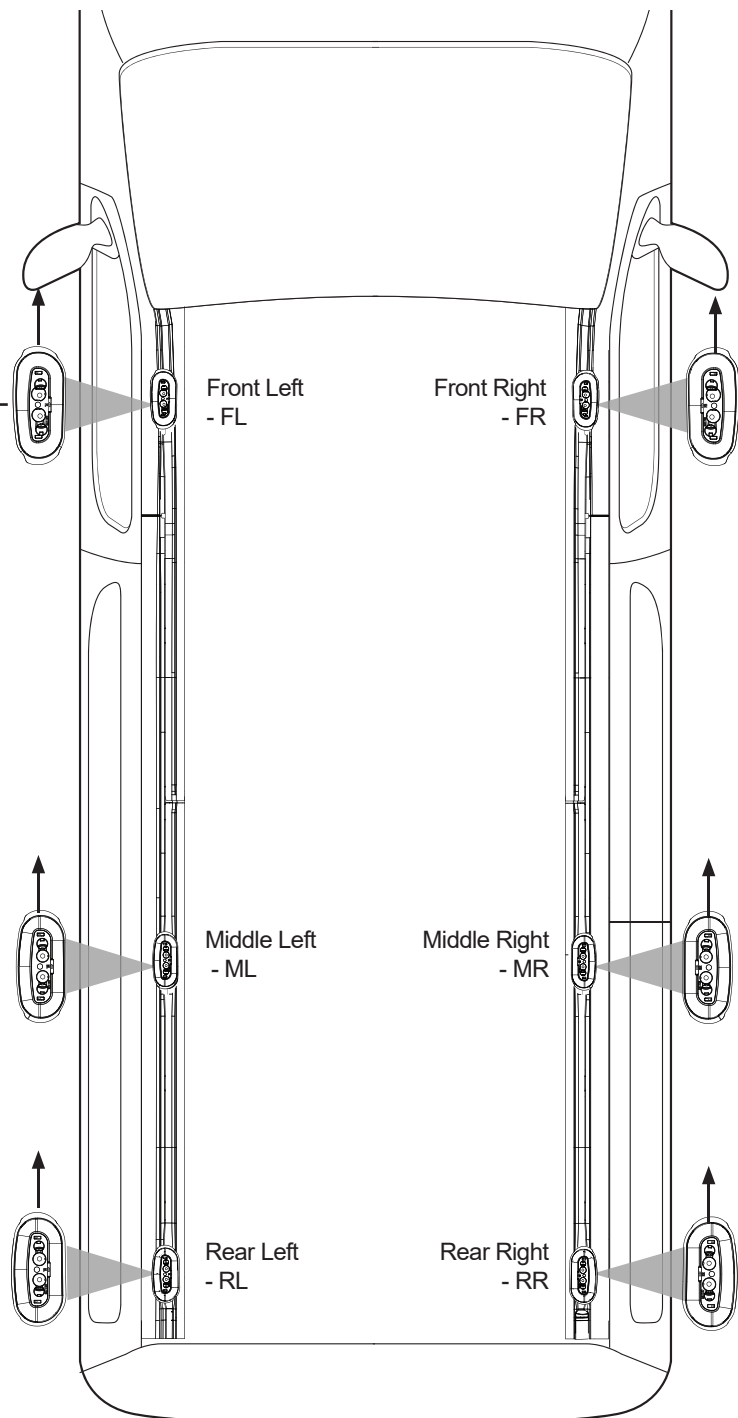
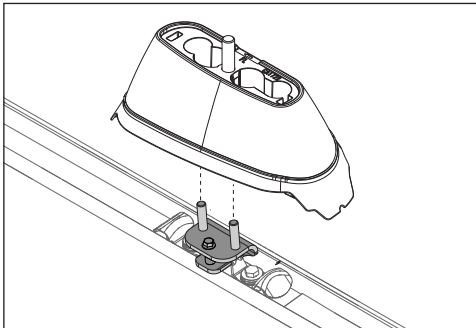


Castings are labeled FR, FL etc. Place these castings in the corresponding locations on the vehicle. The arrow on top of the casting must face forward.

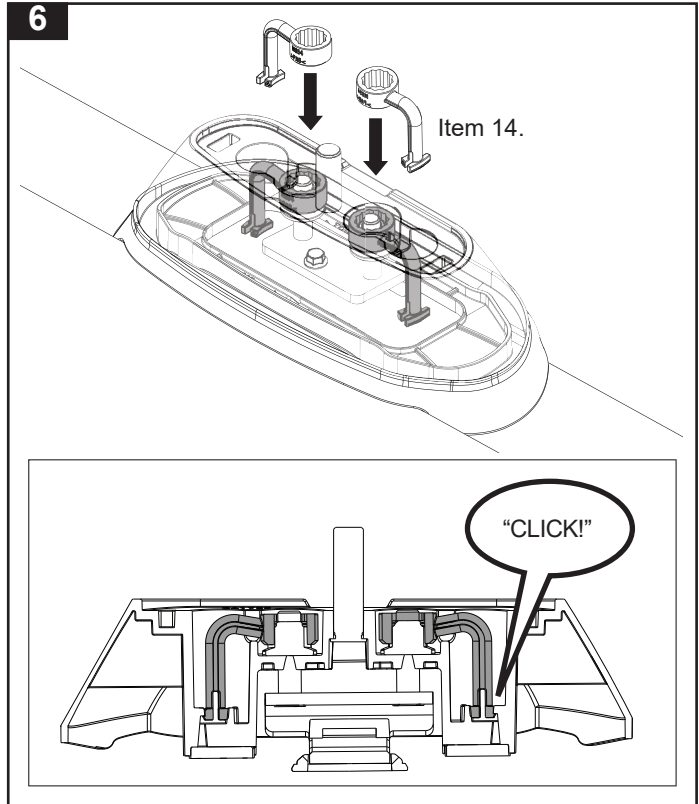
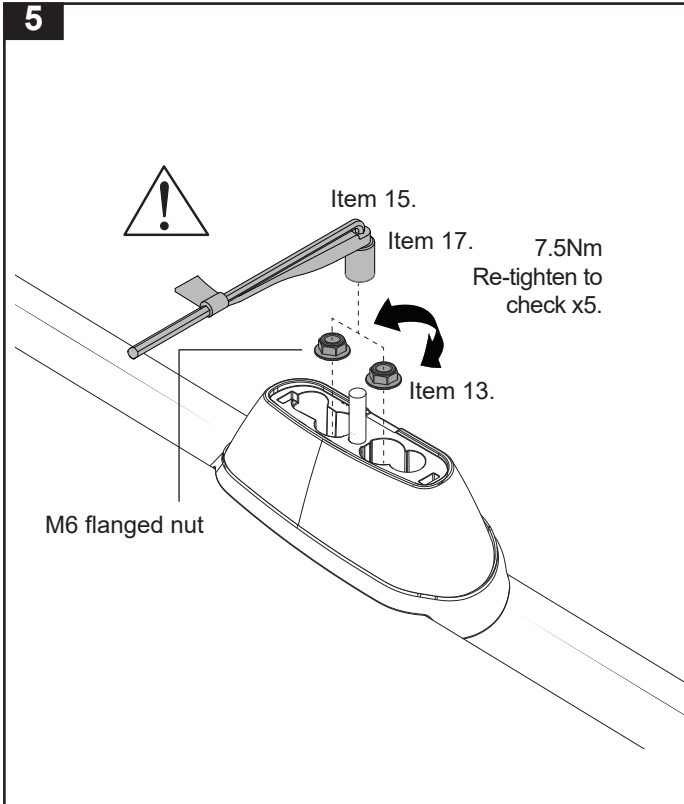
Top View:
FL pad.



Arrow to
front of
vehicle.

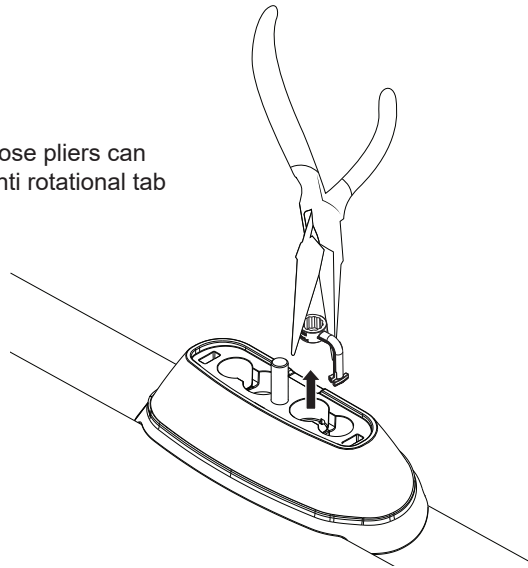


Toyota Hiace Gen 6, H300 - RCP65-BK Base Kit



Note

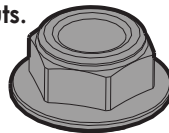
Optional: Needle nose pliers can be used to aid in anti rotational tab removal.



Important

Item 13 - Hook and fitting kit: Contains 6 x M8 Flanged Nuts.

The M8 flanged nuts are to be retained and used to attach the leg system to the base.



M8 flanged nut x 6.