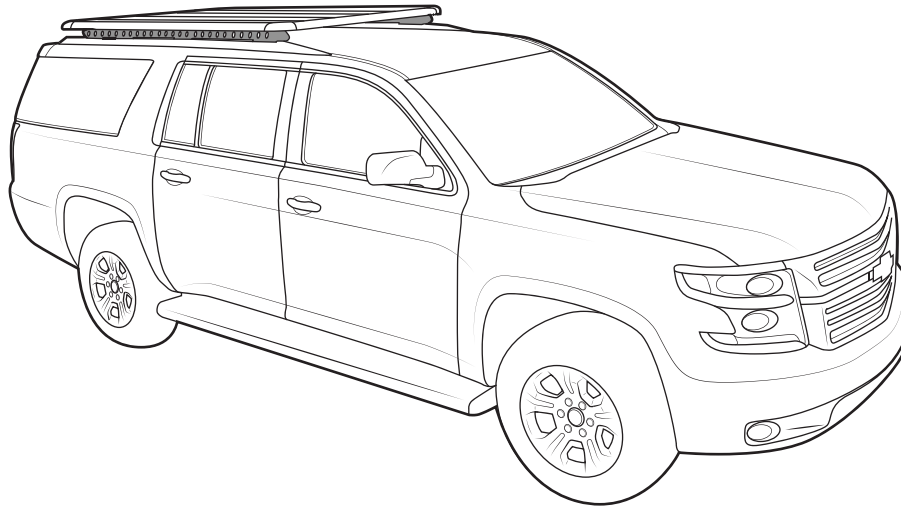




RHINO-RACK

Chevrolet Suburban Backbone - RCSB1

Fit Time: 1 Hour



IMPORTANT INFORMATION

Maximum carrying capacity:

Suitable Pioneers	On Road Cargo Allowance	Off Road Cargo Allowance	Static Allowance	Roof Allowance	Rack Weight
42104B	58.5kg / 129lb	38.5kg / 85lb	318.5kg / 702lb	100kg / 220lb	41.5kg / 91lb
45104B	55.5kg / 123lb	35.5kg / 78lb	315.5kg / 696lb		44.5kg / 98lb
41104	52.5kg / 116lb	32.5kg / 72lb	312.5kg / 689lb		47.5kg / 105lb

Roof Allowance: Total permissible weight attached to the roof of the car. This is inclusive of the weight of the roof rack system

Cargo Allowance: Total permissible weight allowed on top, and attached to roof racks whilst the vehicle is in motion

Static Allowance: Total permissible weight allowed on top, and attached to roof racks whilst the vehicle is stationary

Please refer to your vehicle manufacturers handbook for maximum carrying capacity. Always use the lower of the two figures. Load must be evenly distributed over the entire Pioneer. Weight of roof rack accessories is to be included in cargo allowance.

Torque settings

Unless stated otherwise in these instructions, all fasteners should be set to the following torque settings - M6: 4-5Nm (3-4lbs/ft), M8: 8-10Nm (6-7.5lbs/ft) and M10: 16-18Nm (12-13lbs/ft).

Warning:

- Check Part No. and/ or Kit is correct for use with your vehicle
- Do not attempt to fit the rack system to your vehicle unless you fully understand these fitting instructions. Please direct any questions regarding fitting to the dealer from where the roof racks were purchased.
- **Use only non-stretch fastening ropes or straps.**
- The handling characteristics of the vehicle changes when you transport a load on the roof. For safety reasons we recommend you exercise extreme care when transporting wind-resistant loads. Special consideration must be taken into account when cornering and braking.
- Although the system is tested and approved to AS1235-2000 / ISO 11154, off-road conditions can be much more rigorous. Extreme care must be taken in off road conditions

Recommendations:

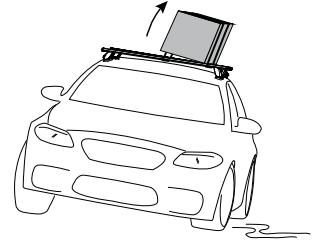
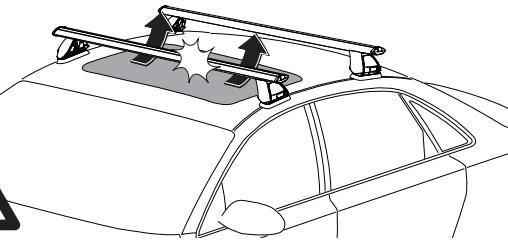
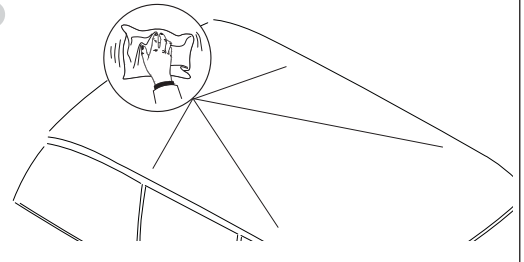
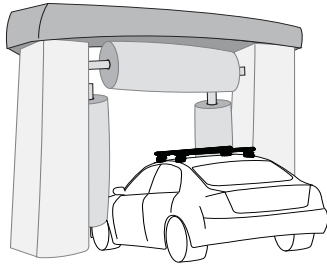
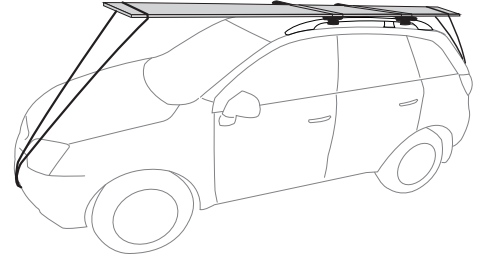
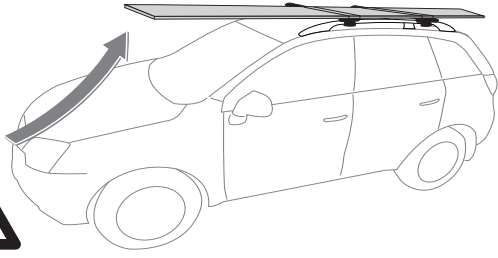
It is essential that all bolt connections be checked after driving a short distance when you first install your roof racks. Bolt connections should be checked again at regular intervals (once a week is enough, depending on road conditions, usage, loads and distances travelled). You should also check the roof racks each time they are re-fitted. Always make sure to fasten your load securely. Please also ensure that all loads are evenly distributed and that the centre of gravity is kept as low as possible and must be entirely contained within the extents of the roof racks.

Note for Dealers and Fitters:

It is your responsibility to ensure these fitting instructions are given to the end user or client

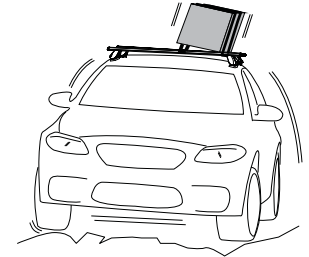
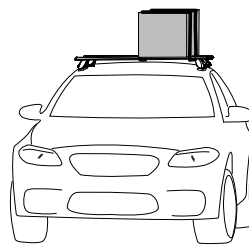


Chevrolet Suburban Backbone - RCSB1

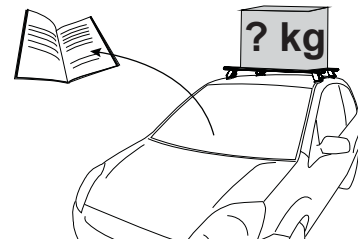
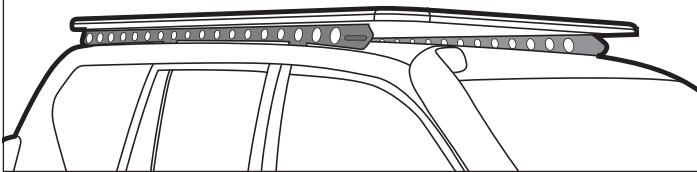


The handling characteristics of the vehicle changes when you transport a load on the roof. For safety reasons we recommend you exercise extreme care when transporting wind-resistant loads. Special consideration must be taken into account when cornering and braking.

Although the system is tested and approved to AS1235-2000 / ISO 11154, off-road conditions can be much more rigorous. Extreme care must be taken in off road conditions



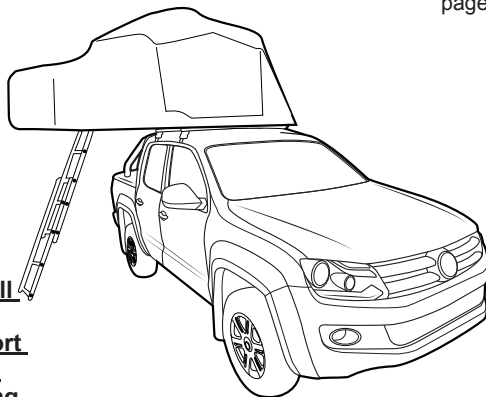
System Weight: 41.5 - 47.5kg



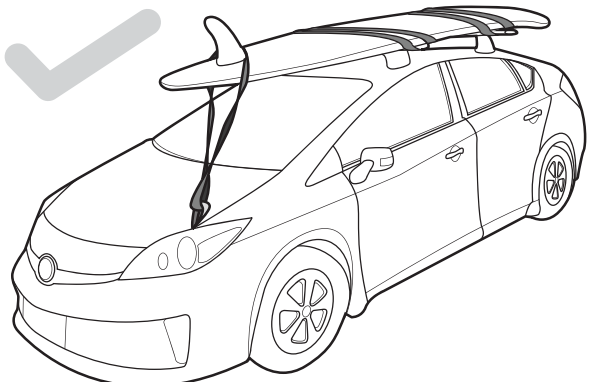
Static Load Rating: refer to front page



Ensure Ladder is well supported on the ground to help support tent. Take extreme caution when climbing heights above 1.2m/4ft.



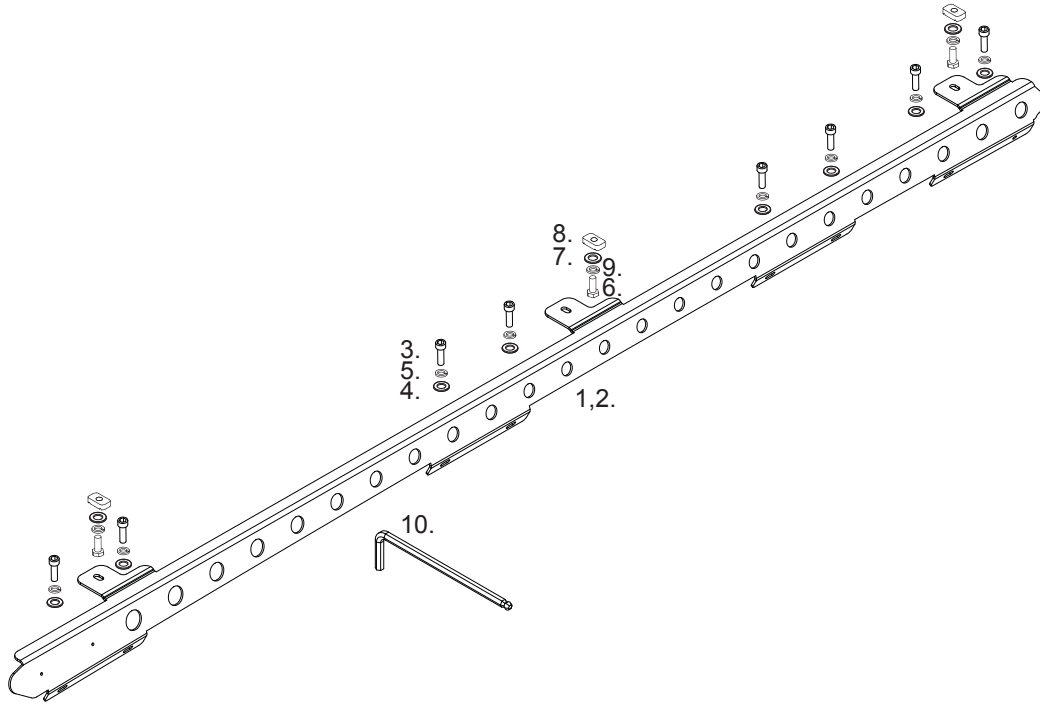
Paddle/ Surfboards should be fixed to the front of the vehicle.





Chevrolet Suburban Backbone - RCSB1

Parts List



Item	RCSB1	Qty	Part No.
1	Suburban Backbone LHS	1	CA1776
2	Suburban Backbone RHS	1	CA1777
3	M6 × 20mm Socket Head Cap Screw	16	B031
4	M6 × 18mm Flat Washer	16	W031
5	M6 Spring Washer	16	W004
6	M8 × 25 Hex Bolt	6	B169
7	M8 × 24 Flat Washer	6	W043
8	M8 Channel Nut	6	N003

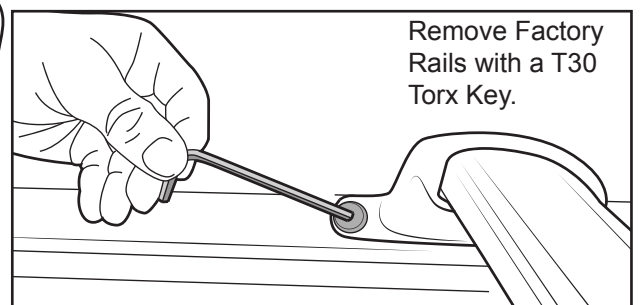
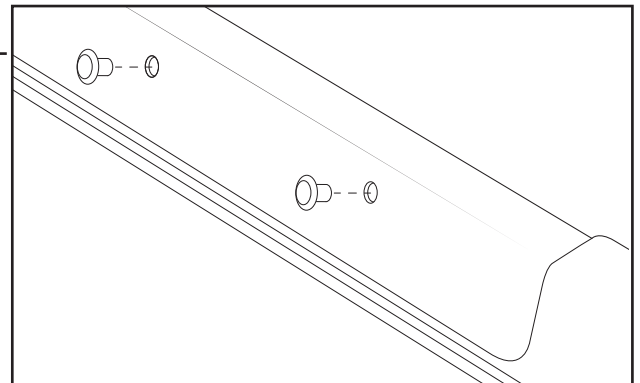
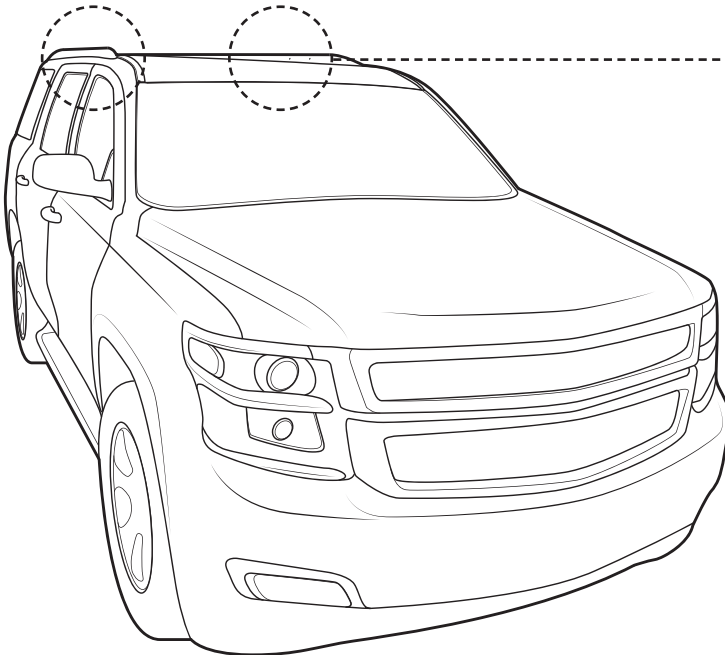
9	M8 Spring Washer	8	W019
10	5mm Ball End Allen Key	1	H058
11	Instructions	1	R1693

Tools Required:

1. 13mm Ring Spanner
2. T30 Torx head key

Instructions

1. Locate the thread protection caps on the inside of the elevated rails of the vehicle. Remove the caps and store in a safe place.
Note: If factory crossbars are installed, remove with a T30 torx head key or drill.



Remove Factory Rails with a T30 Torx Key.



Chevrolet Suburban Backbone - RCSB1

2

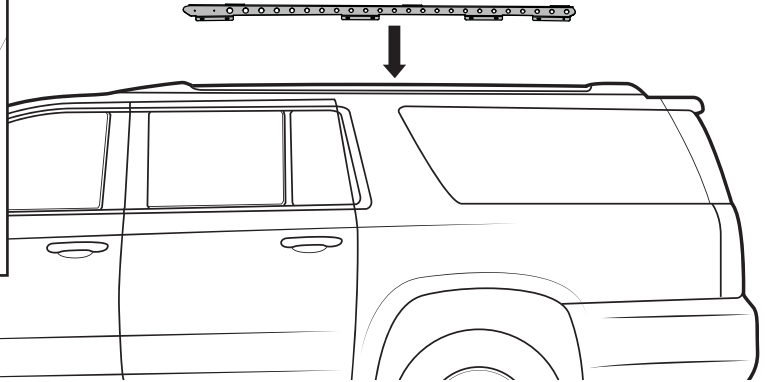
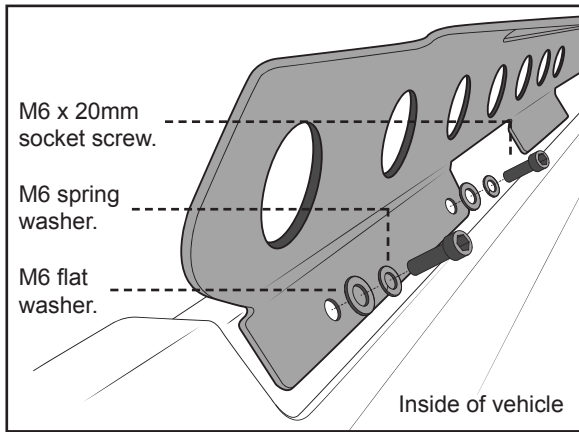
M6 x 20mm socket screw.

M6 spring washer.

M6 flat washer.

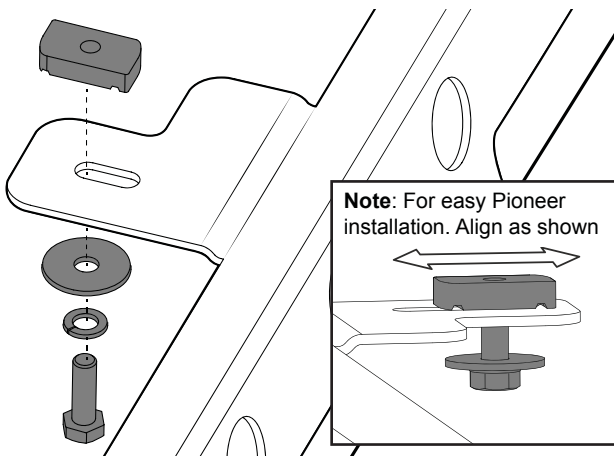
Inside of vehicle

Place the backbones onto the vehicle. Fix in place with the M6 hardware provided as shown. Tighten with allen key provided 4-5Nm (3-4lbs/ft),



3

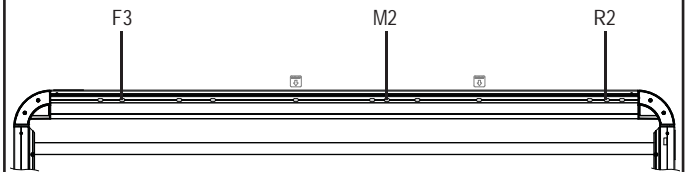
Assemble M8 hardware as pictured below. Complete this for the six tabs on top of the backbone rails.



4

Install Pioneer underbars into positions indicated. For detailed instruction - refer to pioneer fitting sheets.

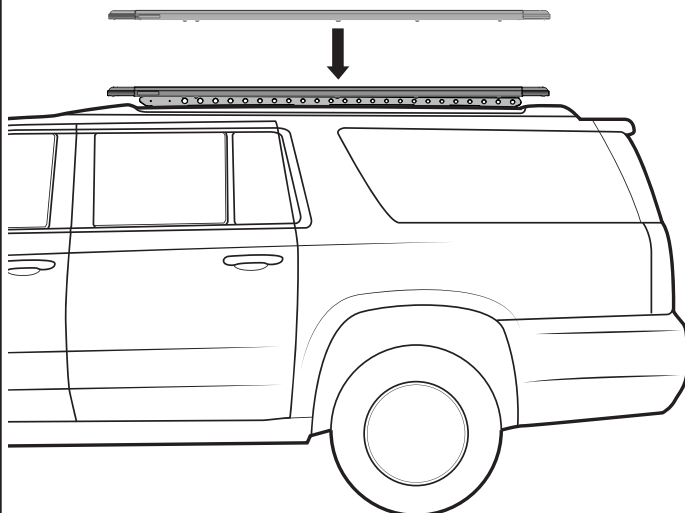
PIONEER 41104 (2000 x 1330mm)
PIONEER 42104 (2128 x 1426mm)
PIONEER 45104 (2128 x 1426mm)



Front of Tray

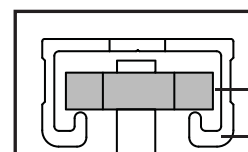
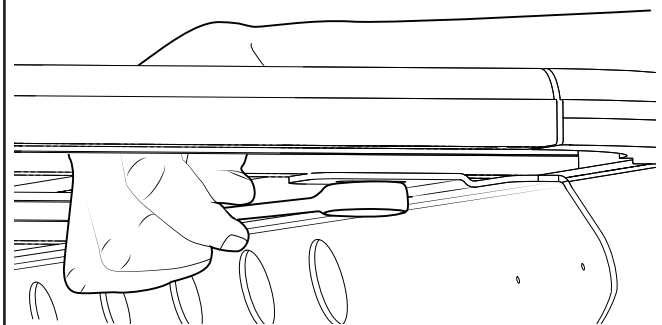
5

After underbars have been correctly fitted, place the Pioneer tray on top of the Backbone rails. Align the underbars with the top tabs and ensure the M8 hardware fits into underbar channel.



6

Once Pioneer underbars have been aligned properly, tighten all M8 hardware using 13mm socket wrench or 13mm spanner. Ensure channel nut has rotated within Pioneer underbar and is fixing Pioneer securely. Tighten to 8-10Nm (6-7lbs/ft).



Channel Nut
Pioneer Underbar