



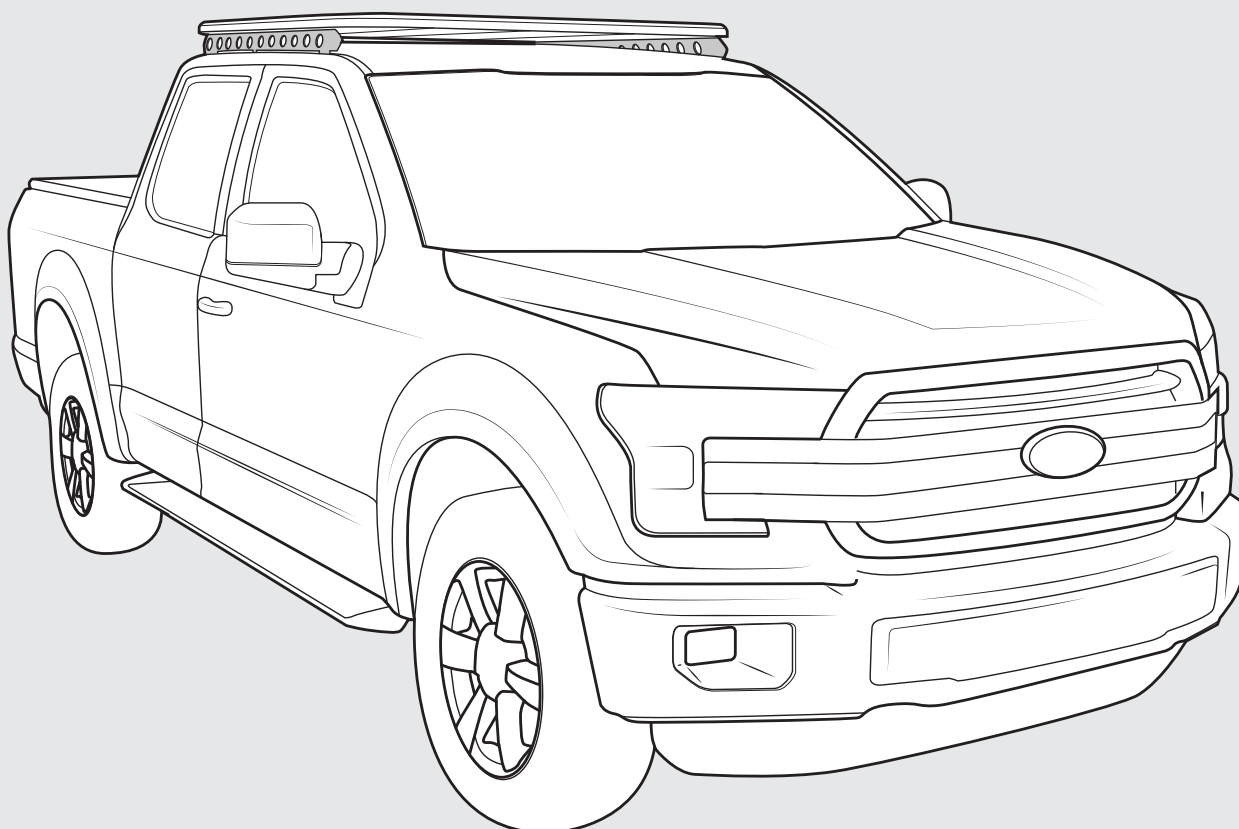
RHINO-RACK

FORD F250/F350/F450 SUPER CREW BACKBONE - RF2B3

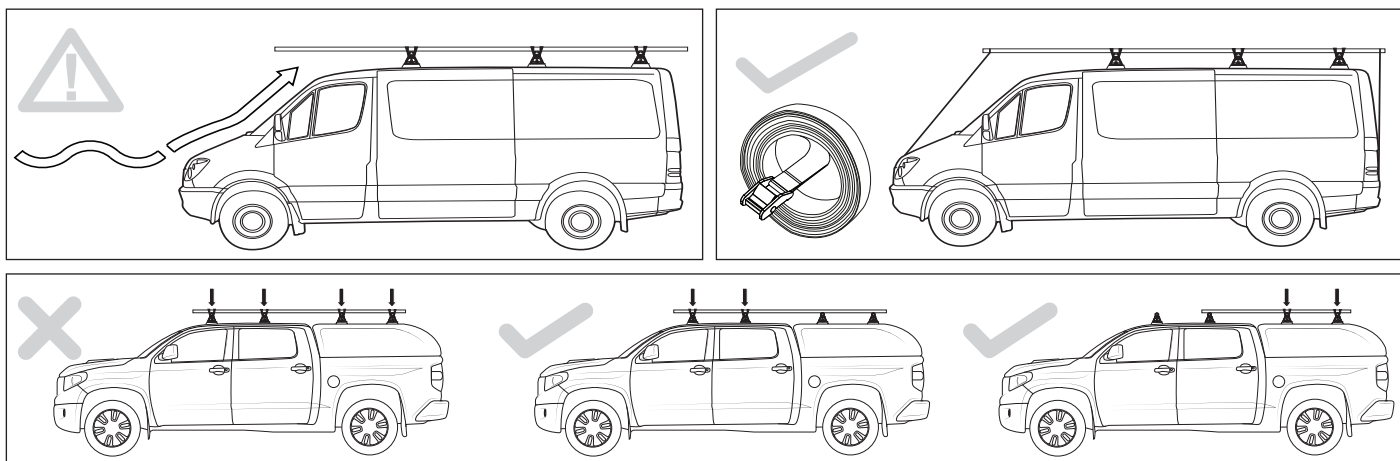
Important:

1. Check the Rhino-Rack website to ensure you have the latest issue of these instructions.
2. Please refer to your fitting instruction to ensure that the roof racks are installed in the correct locations.
3. Check the contents of kit before commencing fitment and report any discrepancies.
4. Place these instructions in the vehicle's glove box after installation is complete.
5. These instructions must be followed for warranty to be upheld.

Fit Time: 45 mins



RF2B3 Instructions



ON ROAD CARGO ALLOWANCE (OR)	OFF ROAD ROAD CARGO ALLOWANCE (OR)	VEHICLE ROOF LOAD LIMIT (VLL)	SYSTEM WEIGHT (SW)
$(OR) = (VLL) - (SW)$	$(OFR) = (OR) / 1.5$	100kg / 220lb [CHECK VEHICLE OWNERS HANDBOOK FOR SPECIFIC FIGURE].	31.5kg / 67lb

Carrying Capacity

Check your vehicle owners hand book for vehicle maximum carrying capacity. Please ensure you use the vehicle manufactures maximum roof allowance if it is lower than the figure listed in this instruction.

Load must be evenly distributed over the system.

Off Road: Any driven path taken that does not contain a surface protection layer (tar/bitumen).

Vehicle Load Limit: Total permissible weight attached to the roof of the car. This is inclusive of the weight of the roof rack system.

System Load Limit: Total permissible weight allowed on top, and attached to roof racks whilst the vehicle is in motion.

Torque Settings

Unless stated otherwise in these instructions, all fasteners should be set to the following torque settings - M6: 4-5Nm (3-4lbs/ft), M8: 8-10Nm (6-7.5lbs/ft) and M10: 16-18Nm (12-13lbs/ft).

Warning

- Check part number/ or kit is correct for use with your vehicle.
- Do not attempt to fit the rack system to your vehicle unless you fully understand these fitting instructions. Please direct any questions regarding fitting to the dealer from where the roof racks were purchased.
- Although the system is tested and approved to AS1235-2000 / ISO 11154, off-road conditions can be much more rigorous. Extreme care must be taken in off road conditions.
- Roof racks must be removed when vehicle is put through an automatic car wash.
- With utility vehicles, the cabin and the canopy move independently. Roofracks and vehicle can be damaged if the item transported is rigidly fixed at points on both the cabin and canopy. Instead, rigidly fix to either the cabin roofracks or the canopy roofracks.
- Always ensure you fasten your load securely.
- Use only non-stretch fastening ropes or straps to attach cargo to your load.

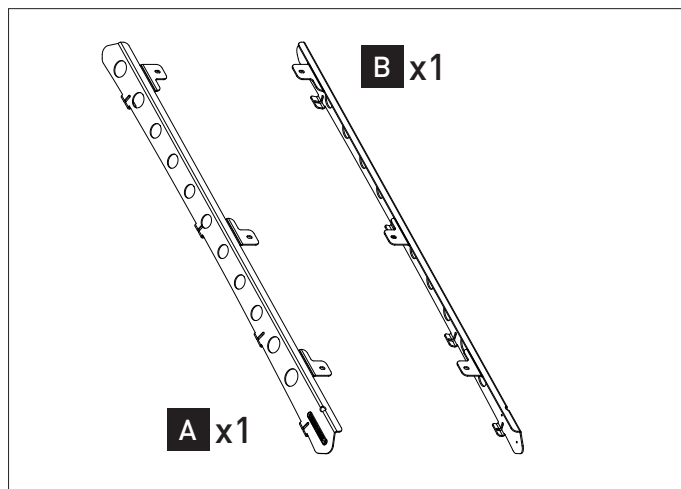
In service maintenance checks

- All bolt connections should be checked after driving a short distance when you first install your roof racks.
- All bolted connections should be checked again at regular intervals (weekly is recommended, depending on road conditions, usage, loads and distances travelled).
- All bolted connections should be checked each time they are re-fitted.

Note for Dealers and Fitters

It is your responsibility to ensure these fitting instructions are given to the end user or client. These instructions remain the property of Rhino-Rack Australia Pty. Ltd. and may not be used or changed for any other purpose than intended.

Parts List



Tools Required:

- T1 - 7mm (1/4") Socket Wrench
- T2 - Hammer
- T3 - Flat head Screwdriver
- T4 - Silicone
- T5 - 13mm (1/2") Wrench/Spanner

M5 X 20mm Socket Head Cap Screw

C x8

M5 Spring Washer

D x8

M5 Flat Washer

E x8

Butyl Patch 20mm X 20mm

F x8

4mm Ball End Allen Key

G x1

M8 x 20mm Hex Setscrew S/S
For 4XXXX Pioneer only

H x6

M8 Spring Washer S/S Black
For 4XXXX Pioneer only

I x6

M8 x 24mm x 2mm Flat Washer S/S
For 4XXXX Pioneer only

J x6

M8 Channel Nut
For 4XXXX Pioneer only

K x6

Pioneer NG To Backbone Bolt Kit
For 5XXXX Pioneer only

L x6

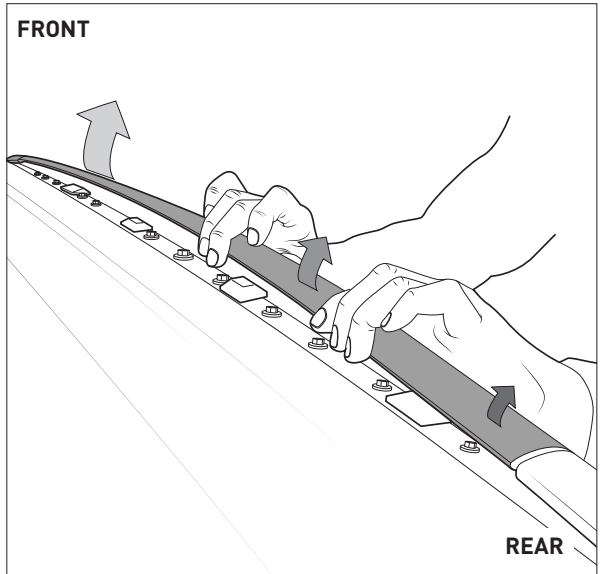
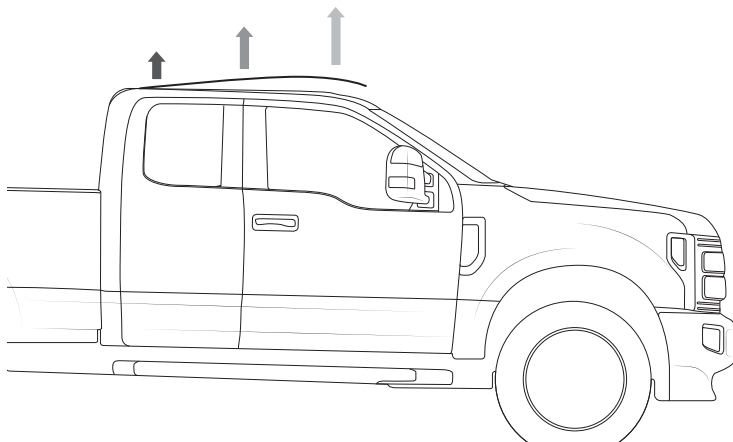
Instruction

M x1

RF2B3 Instructions

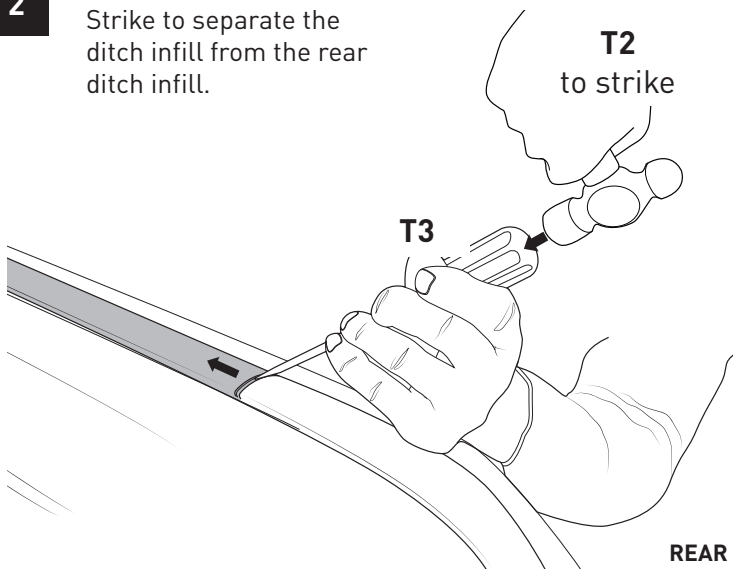
1

Carefully detach the ditch infill from the ditch clips beginning from the front of the vehicle

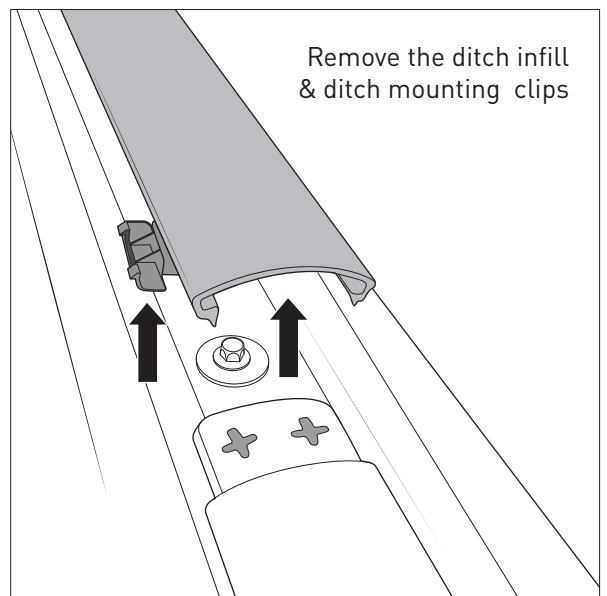


2

Strike to separate the ditch infill from the rear ditch infill.

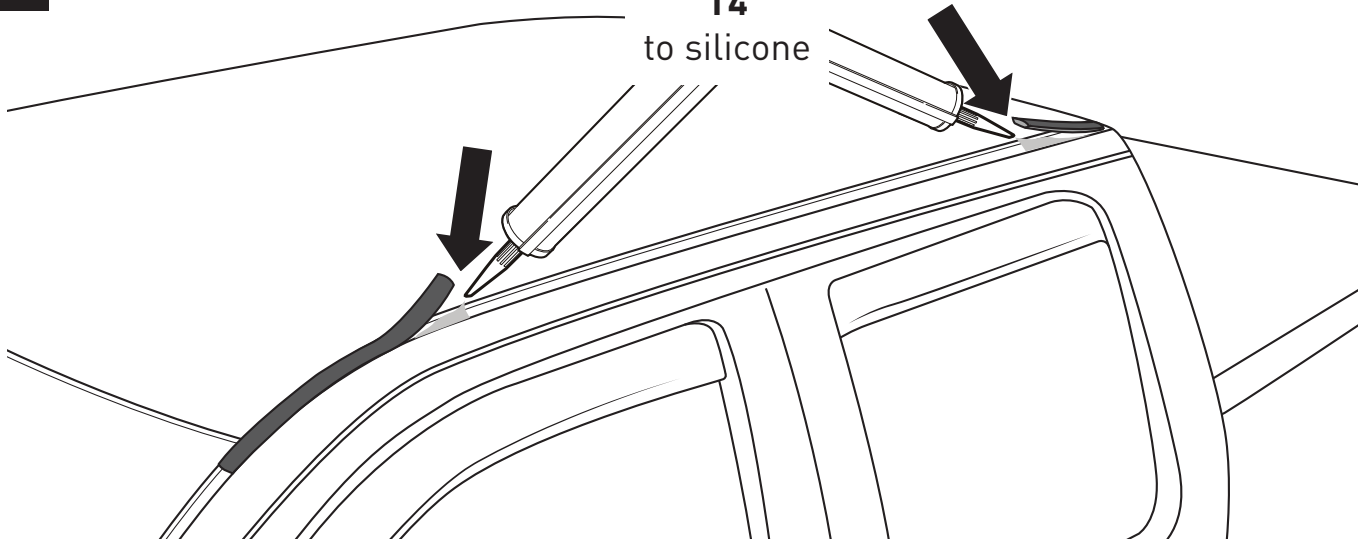


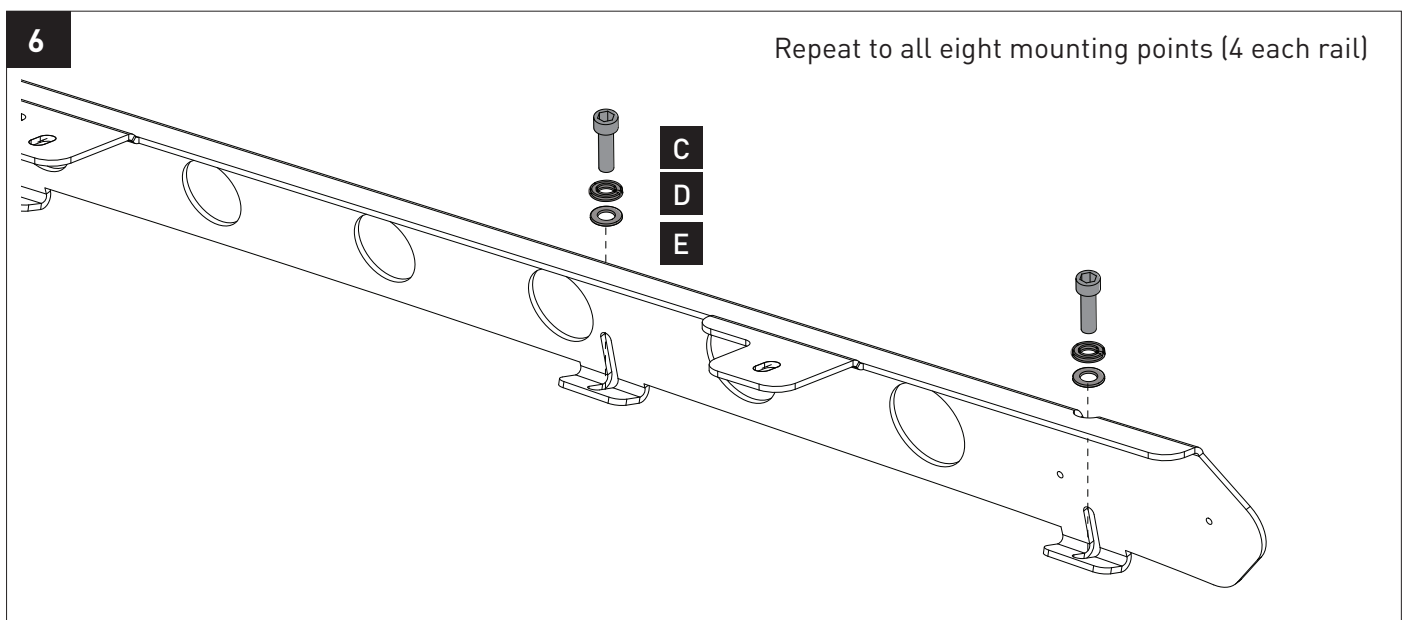
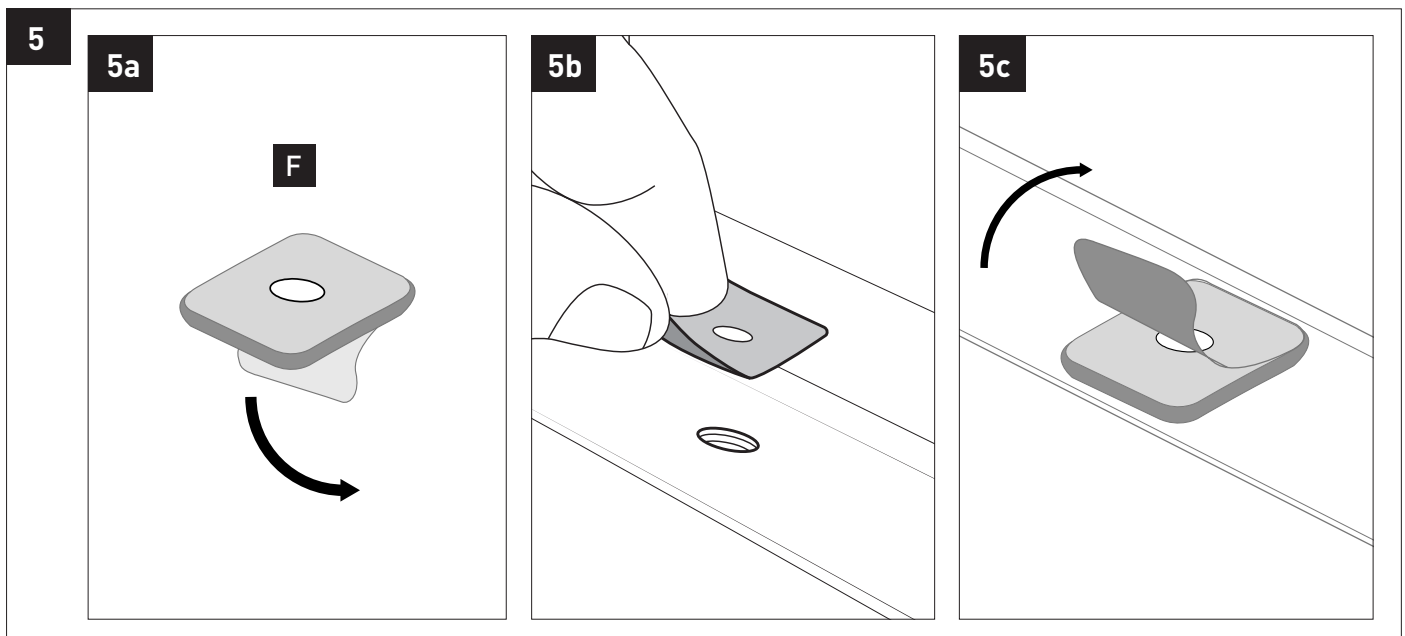
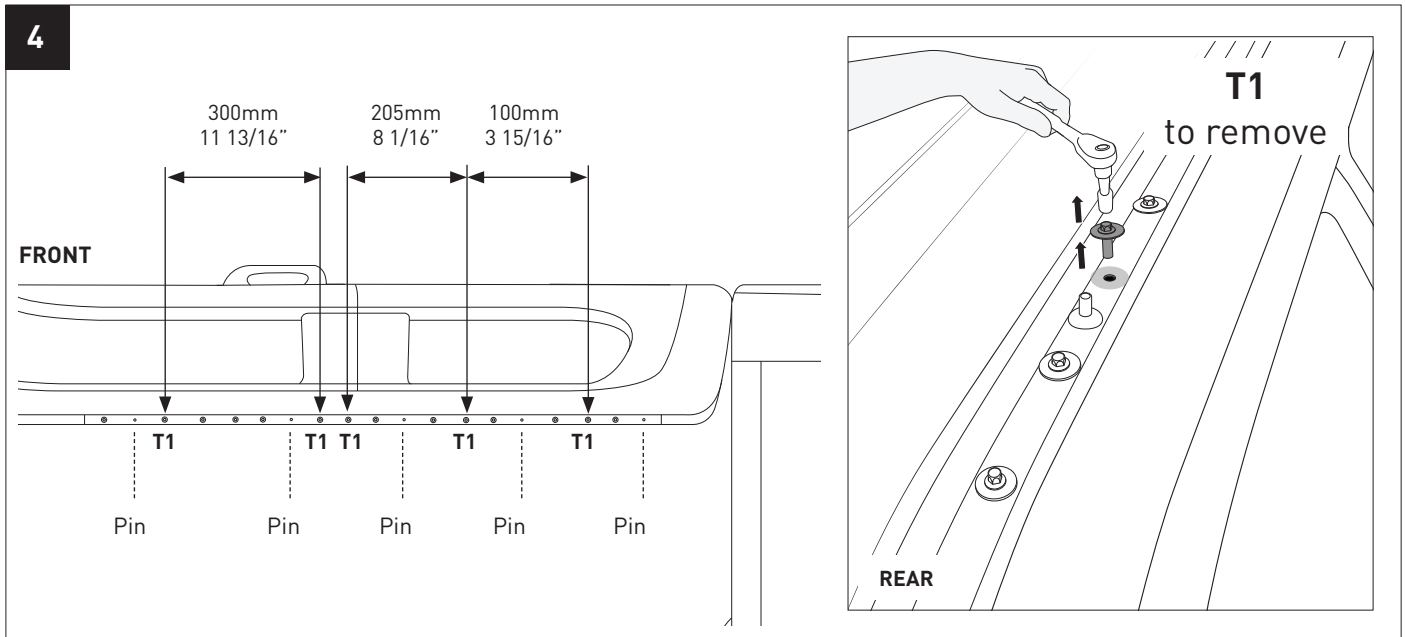
T2
to strike

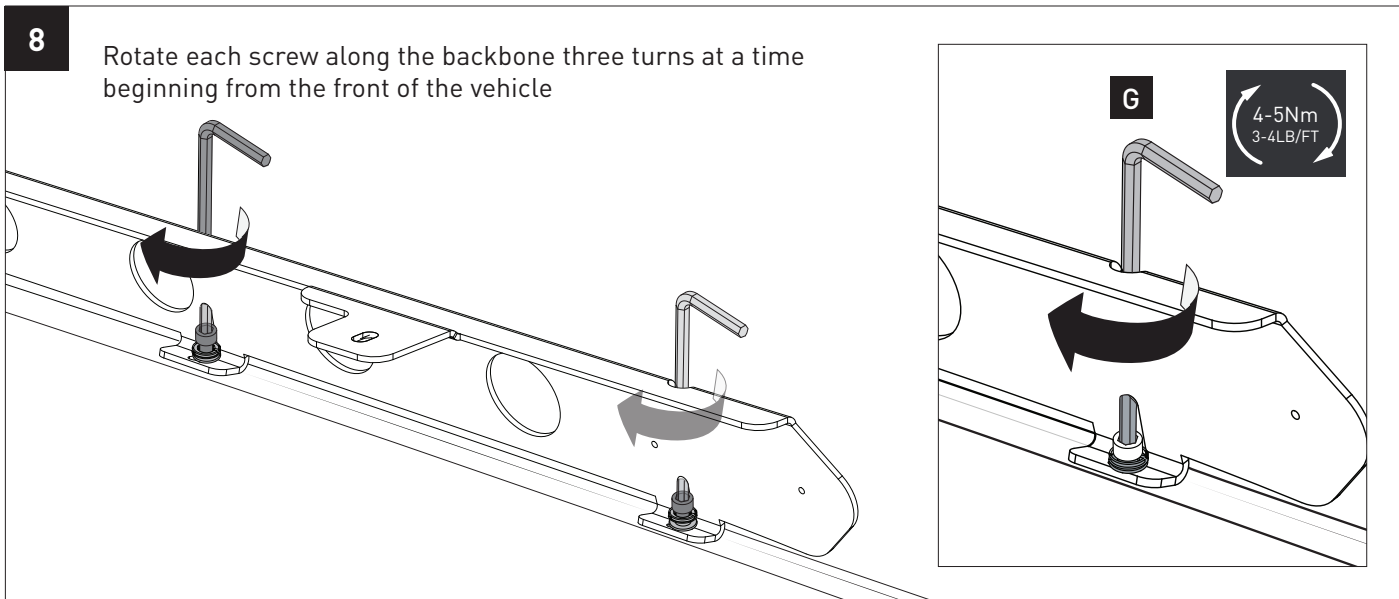
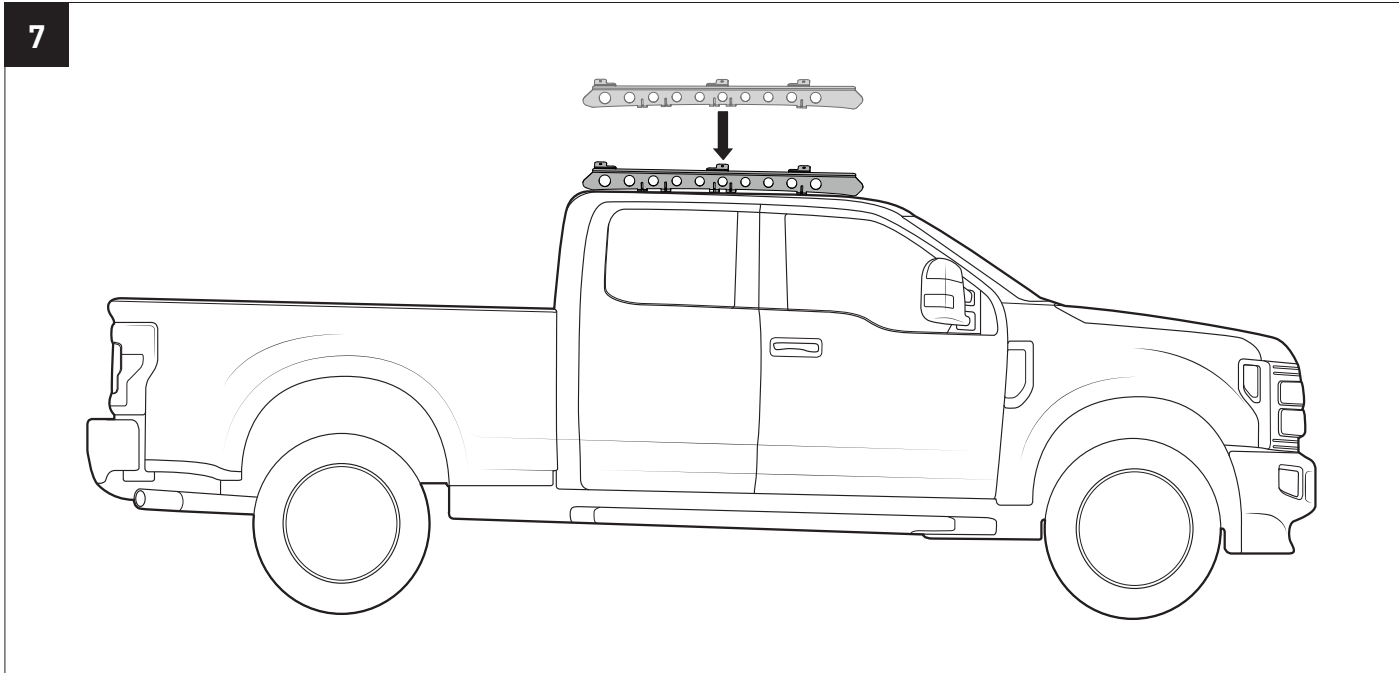


3

T4
to silicone







9

Example

RHINO-RACK PIONEER NG - VEHICLE FITTING INFORMATION
S2101B / S2101BF

VEHICLE		CONNECTOR	IMPORTANT NOTES			
2007-2016 Land Cruiser 4x4/7se Double Cab		RL120011				
Vehicle Load Limit	System Weight	On-Road Cargo Allowance	Off-Road Cargo Allowance			
100	100					
4WS	NZ	USA	CA	EU	SA	UK
4x4	x	x	x	x	x	x
4x2						

UNDERBAR SPACING

Use the Drawings and Details

It is your responsibility to ensure these fitting instructions are given to the end user or client.

Revision No. 0016
Issue Date: 01/2016
© 2016 Rhino-Rack Australia Pty Ltd. All rights reserved.

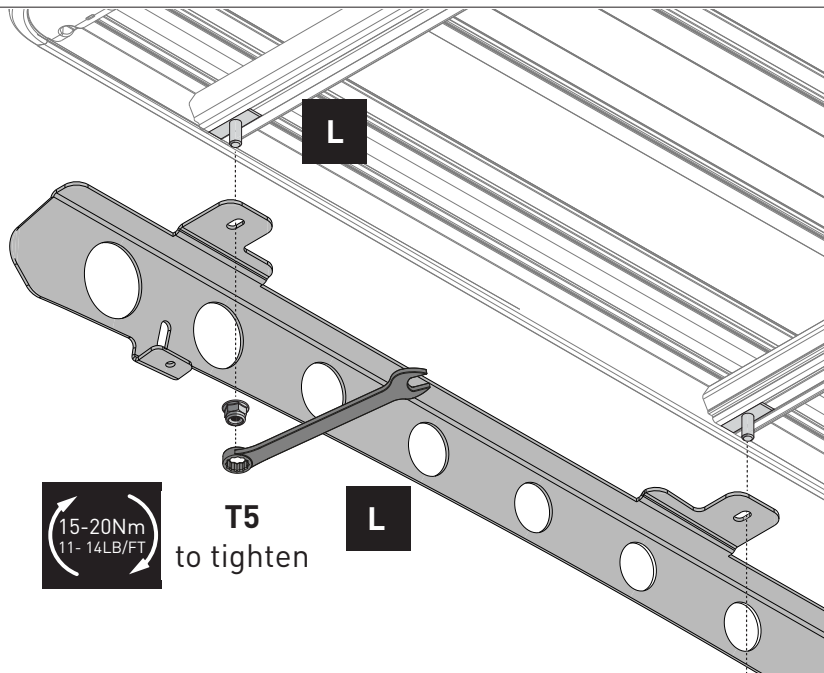
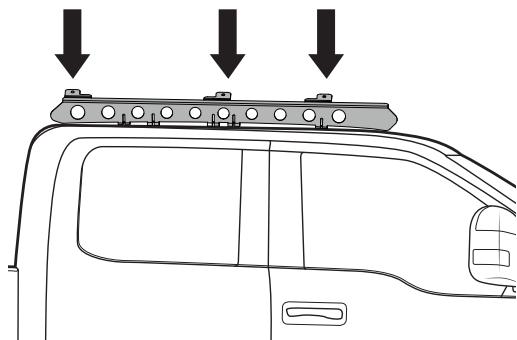
These instructions remain the property of Rhino-Rack Australia Pty Ltd. and may not be used or changed for any other purpose than intended.

Page 1 of 1

10

FOR 5XXXX PIONEER SERIES

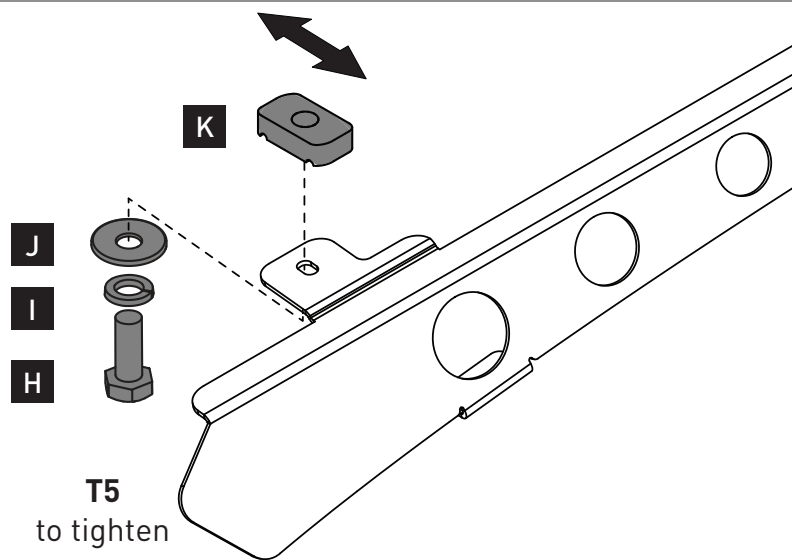
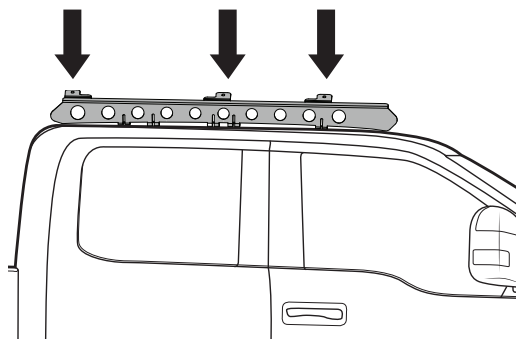
Repeat for the six tabs on top of the backbone rails (3 each rail).



11

FOR 4XXXX PIONEER SERIES

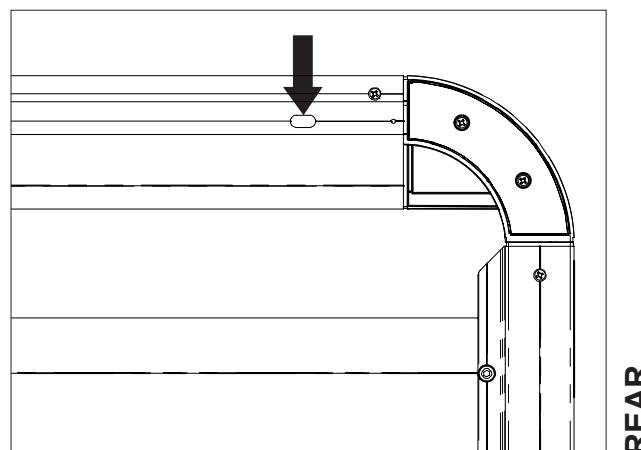
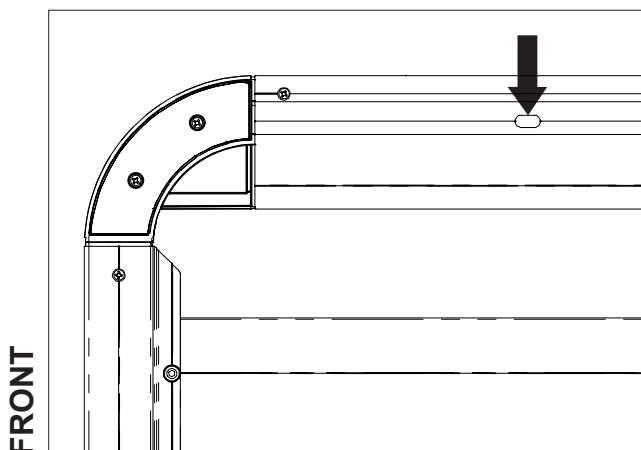
Repeat for the six tabs on top of the backbone rails (3 each rail).



12

FOR 4XXXX PIONEER SERIES

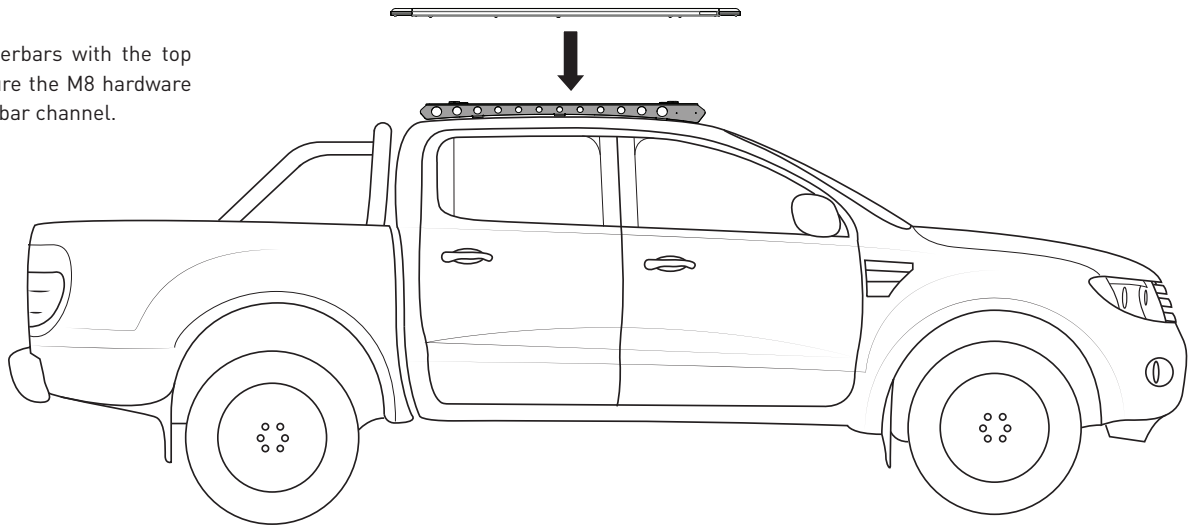
Install Pioneer underbars with slots indicated.



RF2B3 Instructions

13

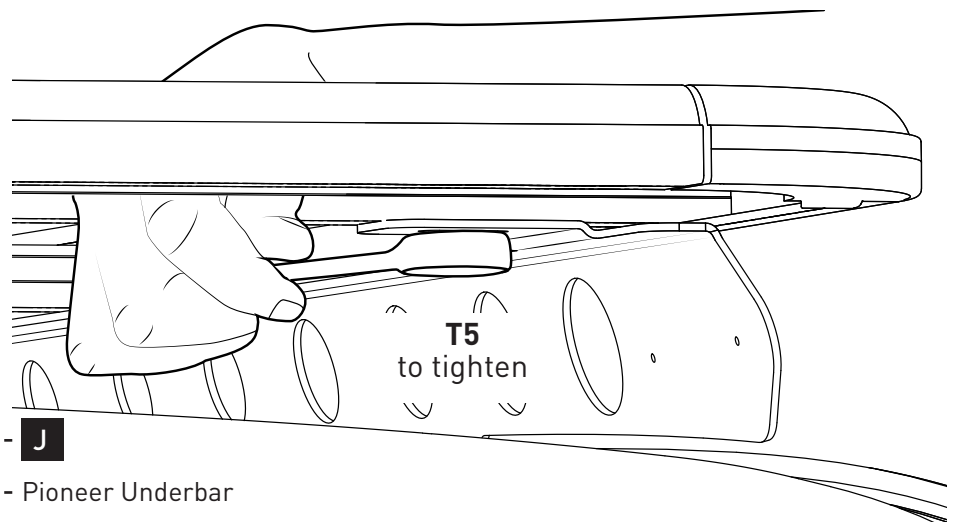
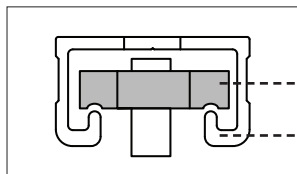
Align the underbars with the top tabs and ensure the M8 hardware fits into underbar channel.



14

IMPORTANT

4XXX - Ensure channel nut has rotated within Pioneer underbar and is fixing Pioneer securely.



Pioneer Underbar