



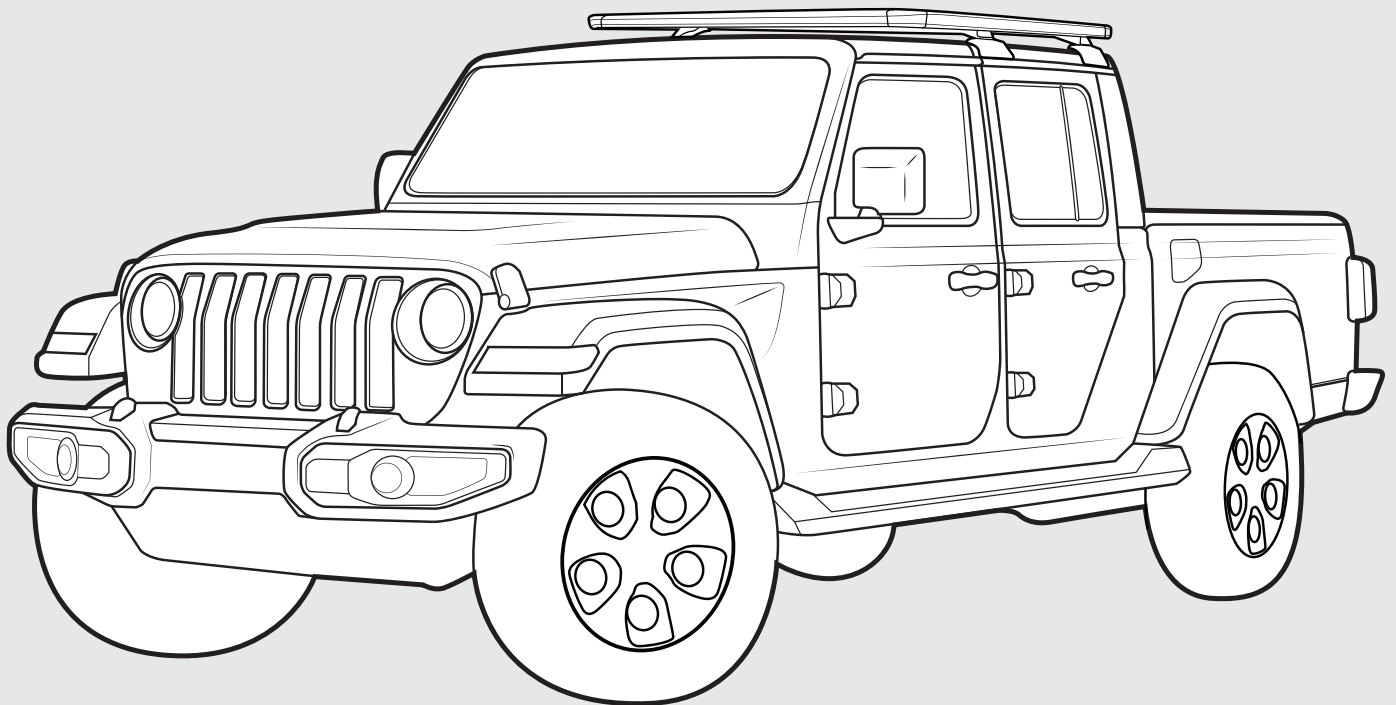
RHINO-RACK

Jeep JT Gladiator Backbone - RJTB1

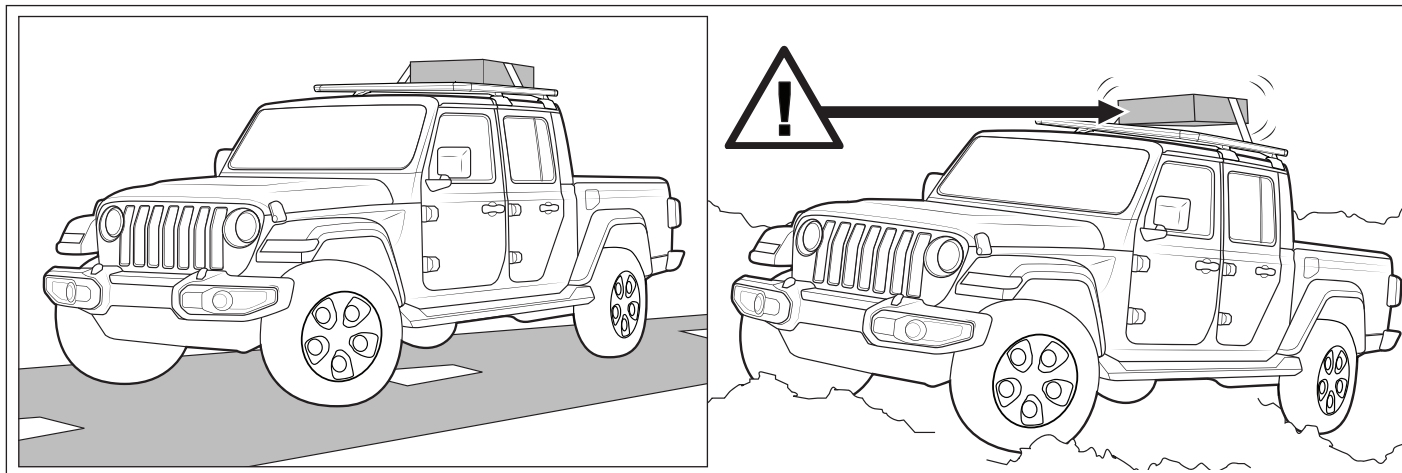
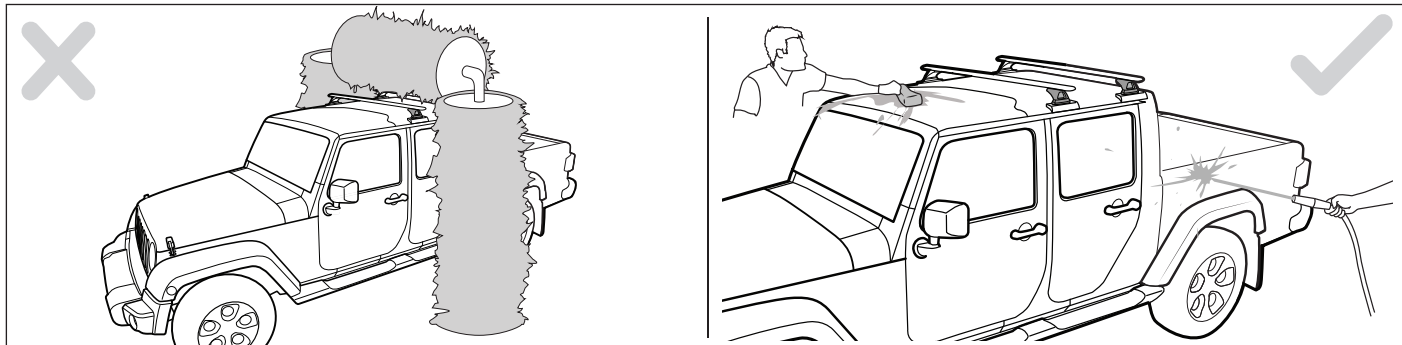
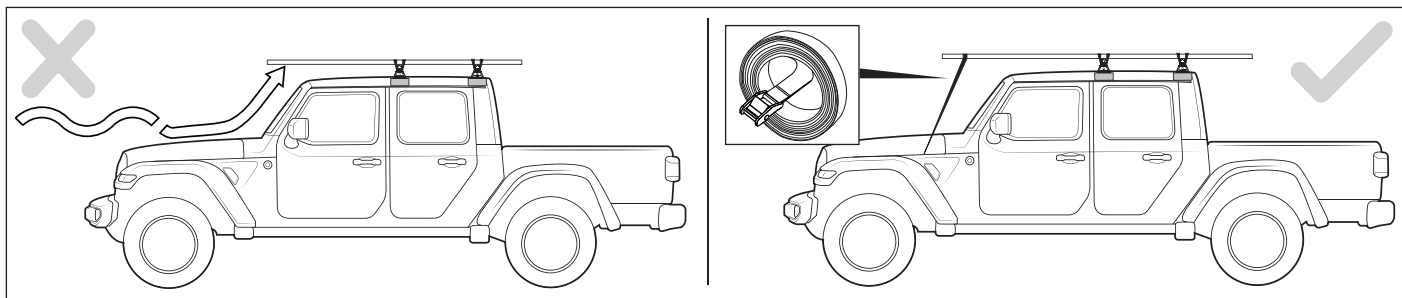
Important:

1. Check the Rhino-Rack website to ensure you have the latest issue of these instructions.
2. Please refer to your fitting instruction to ensure that the roof racks are installed in the correct locations.
3. Check the contents of kit before commencing fitment and report any discrepancies.
4. Place these instructions in the vehicle's glove box after installation is complete.
5. These instructions must be followed for warranty to be upheld.

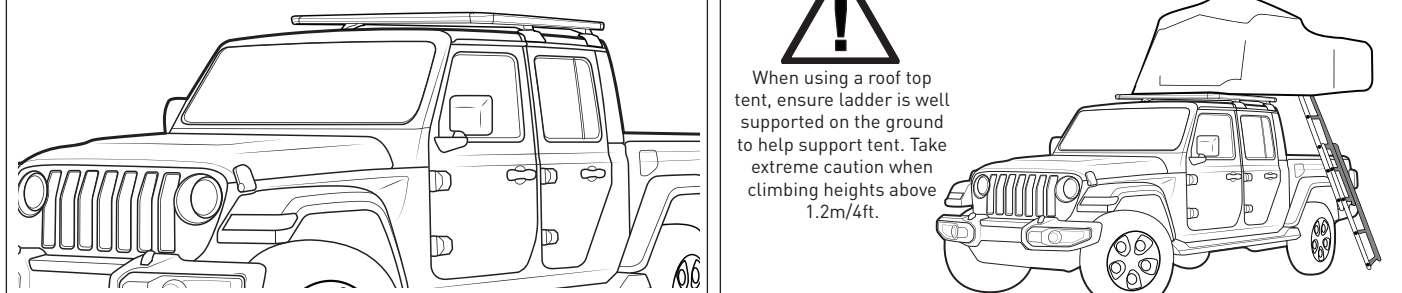
Fit Time: 180 min



Jeep Gladiator Backbone



System weight - 8.4kg/18.5lbs.
(Refer to Page 3)



Jeep Gladiator Backbone

Carrying Capacity

System weight - 8.4kg/18.5lbs.

Backbone system maximum carrying capacity -100kg/220lbs (66kg/ 145lbs offroad).

Check your vehicle owners hand book for **vehicle maximum carrying capacity**. Please ensure you use the vehicle manufacturers maximum roof allowance if it is lower than the figure listed in this instruction. Load must be evenly distributed over the system.

Torque Settings

Unless stated otherwise in these instructions, all fasteners should be set to the following torque settings - M6: 4-5Nm (3-4lbs/ft), M8: 8-10Nm (6-7.5lbs/ft) and M10: 16-18Nm (12-13lbs/ft).

Warning

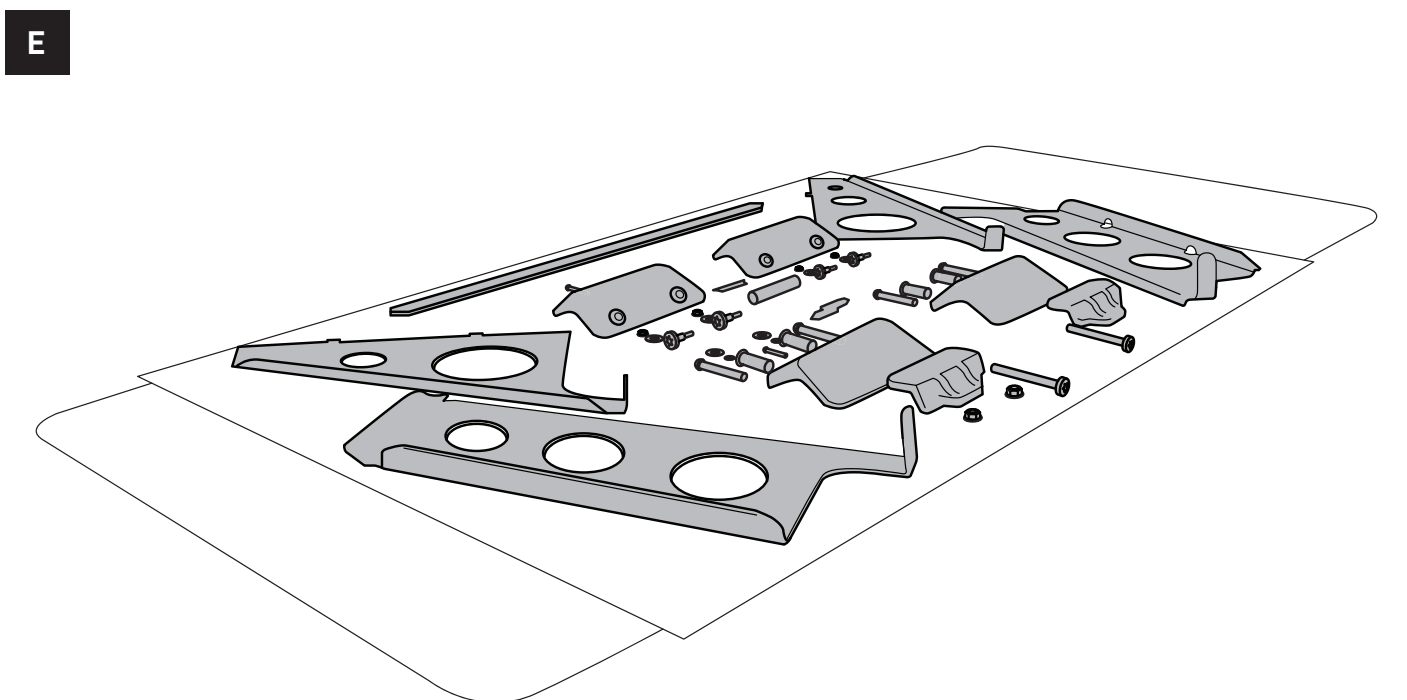
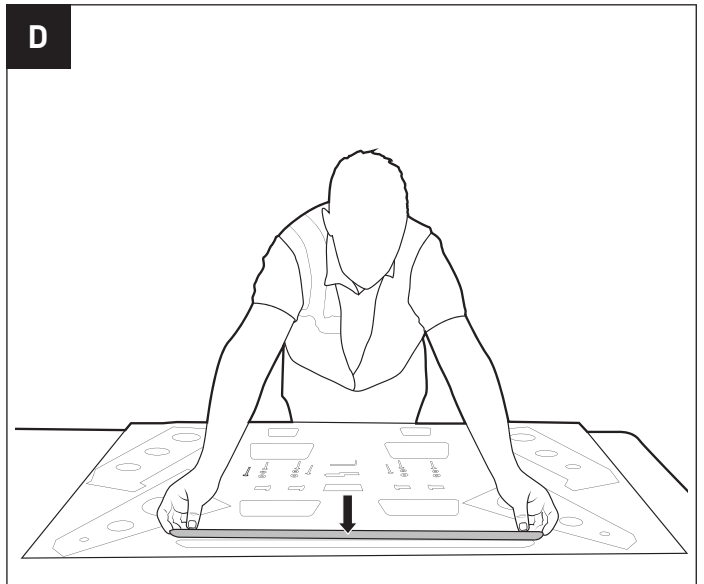
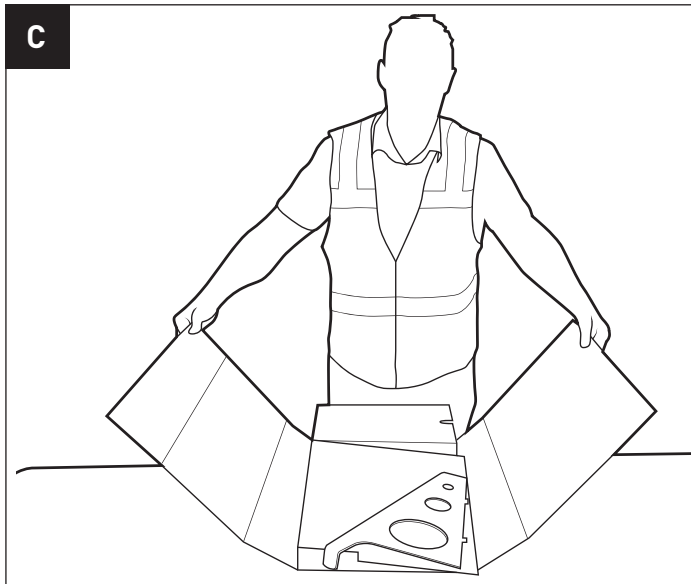
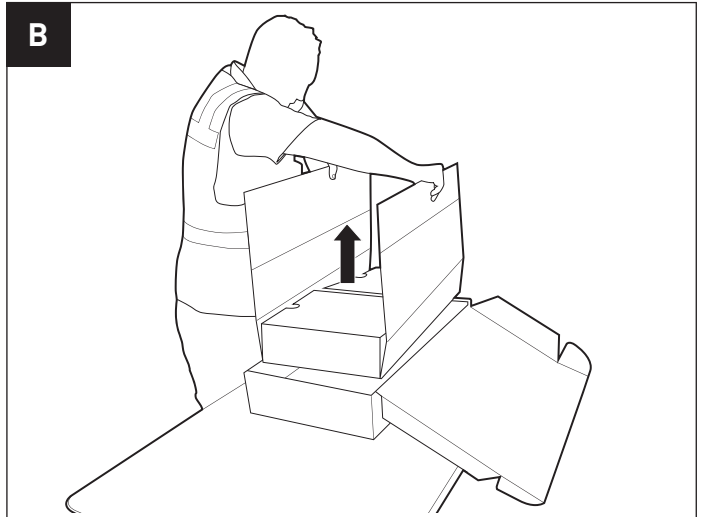
- Check part number/ or kit is correct for use with your vehicle.
- Do not attempt to fit the rack system to your vehicle unless you fully understand these fitting instructions. Please direct any questions regarding fitting to the dealer from where the roof racks were purchased.
- Although the system is tested and approved to AS1235-2000 / ISO 11154, off-road conditions can be much more rigorous. Extreme care must be taken in off road conditions.
- Roof racks must be removed when vehicle is put through an automatic car wash.
- With utility vehicles, the cabin and the canopy move independently. Roofracks and vehicle can be damaged if the item transported is rigidly fixed at points on both the cabin and canopy. Instead, rigidly fix to either the cabin roofracks or the canopy roofracks.
- Always ensure you fasten your load securely.
- Use only non-stretch fastening ropes or straps to attach cargo to your load.

In service maintenance checks

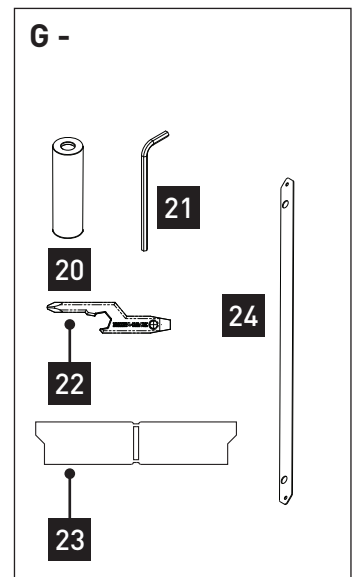
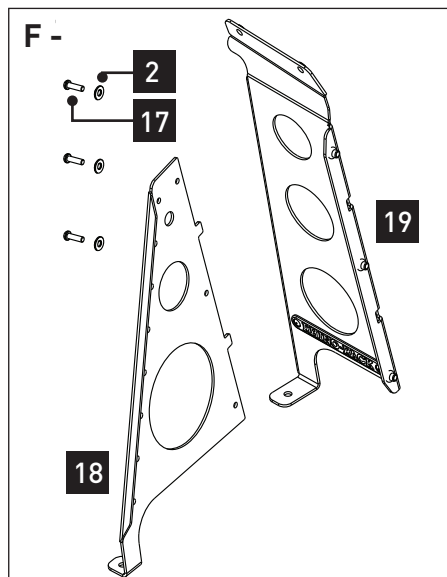
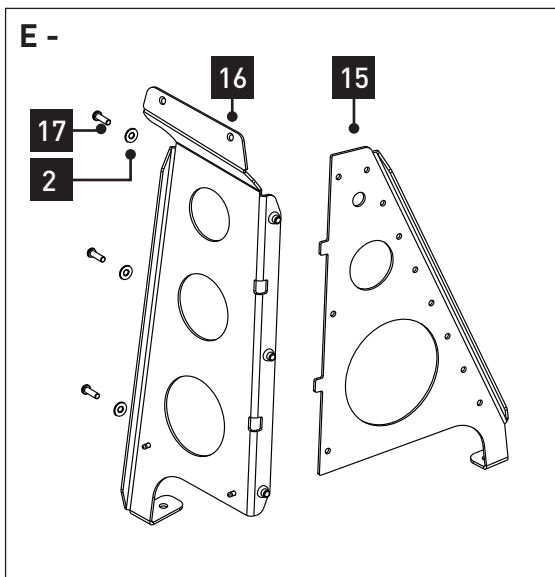
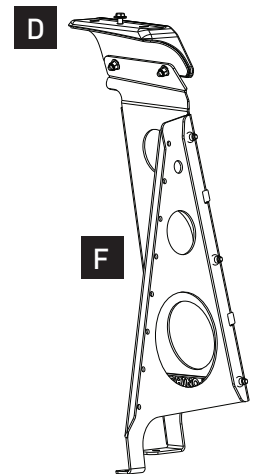
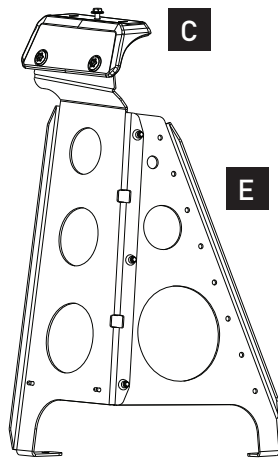
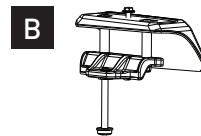
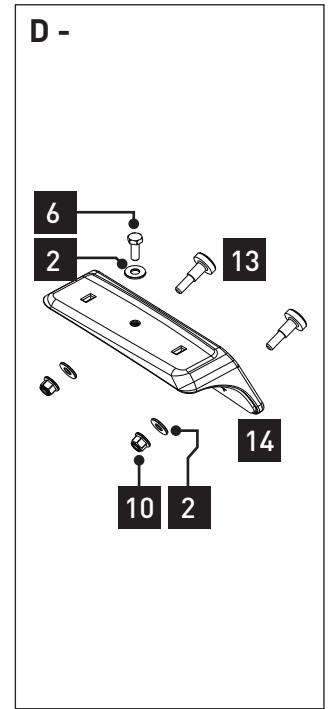
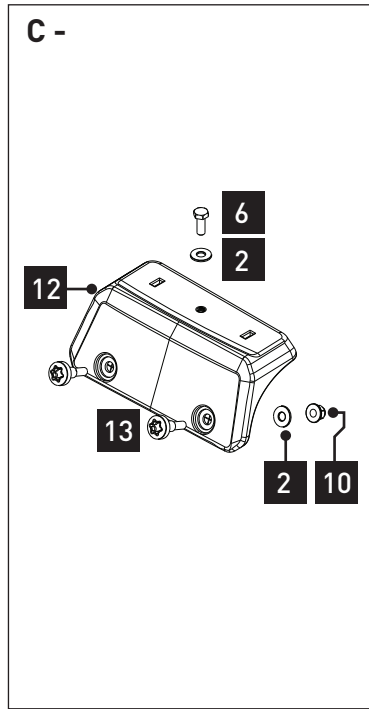
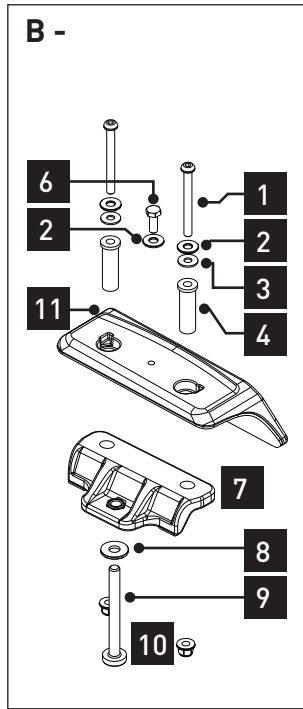
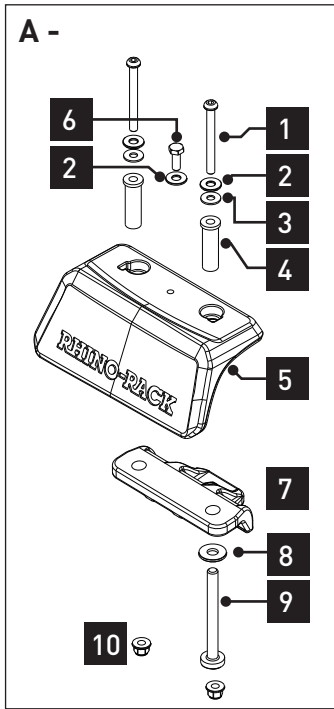
- All bolted connections should be checked after driving a short distance when you first install your roof racks.
- All bolted connections should be checked again at regular intervals (every 1000km (621miles) is recommended, depending on road conditions, usage, loads and distances travelled).
- All bolted connections should be checked each time they are re-fitted.

Note for Dealers and Fitters

It is your responsibility to ensure these fitting instructions are given to the end user or client. These instructions remain the property of Rhino-Rack Australia Pty. Ltd. and may not be used or changed for any other purpose than intended.



Jeep Gladiator Backbone



Jeep Gladiator Backbone

Parts list - Lista de partes

| Item | A | Qty |
|------|------------------------------------|-----|
| 1 | M6 x 65mm button head screw | 2 |
| 2 | M6 x 16mm flat washer | 3 |
| 3 | M6 rubber washer | 2 |
| 4 | Spacer bushing | 2 |
| 5 | Front left casting | 1 |
| 6 | M6 x 16mm hex screw | 1 |
| 7 | Rollbar casting | 1 |
| 8 | M8 x 20mm flat washer | 1 |
| 9 | M8 x 80 torx T50 button head screw | 1 |
| 10 | M6 flanged nut | 2 |

| Item | C | Qty |
|------|---------------------------|-----|
| 2 | M6 x 16mm flat washer | 3 |
| 6 | M6 x 16mm hex screw | 1 |
| 10 | M6 flanged nut | 2 |
| 13 | M6 torx T50 shoulder bolt | 2 |
| 12 | Rear left casting | 1 |

| Item | E | Qty |
|------|-----------------------|-----|
| 2 | M6 x 16mm flat washer | 3 |
| 15 | Rear left upright | 1 |
| 16 | Front left upright | 1 |
| 17 | M6 x 20mm dome head | 3 |

| Item | G | Qty |
|------|----------------------|-----|
| 20 | 12.5mm drill stop | 1 |
| 21 | 4mm allen key | 1 |
| 22 | Spacer multi-tool | 1 |
| 23 | Rear casting spacer | 1 |
| 24 | Front casting spacer | 1 |

| Item | B | Qty |
|------|------------------------------------|-----|
| 1 | M6 x 65mm button head screw | 2 |
| 2 | M6 x 16mm flat washer | 3 |
| 3 | M6 rubber washer | 2 |
| 4 | Spacer bushing | 2 |
| 6 | M6 x 16mm hex screw | 1 |
| 7 | Rollbar casting | 1 |
| 8 | M8 x 20mm flat washer | 1 |
| 9 | M8 x 80 torx T50 button head screw | 1 |
| 10 | M6 flanged nut | 2 |
| 11 | Front right casting | 1 |

| Item | D | Qty |
|------|---------------------------|-----|
| 2 | M6 x 16mm flat washer | 3 |
| 6 | M6 x 16mm hex screw | 1 |
| 10 | M6 flanged nut | 2 |
| 13 | M6 torx T50 shoulder bolt | 2 |
| 14 | Rear right casting | 1 |

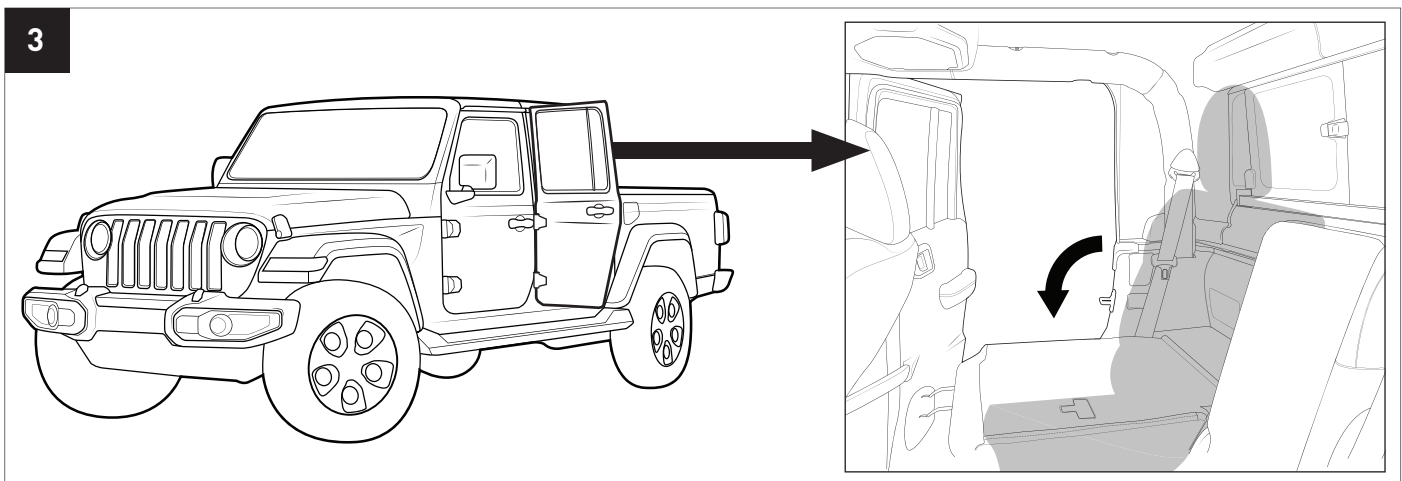
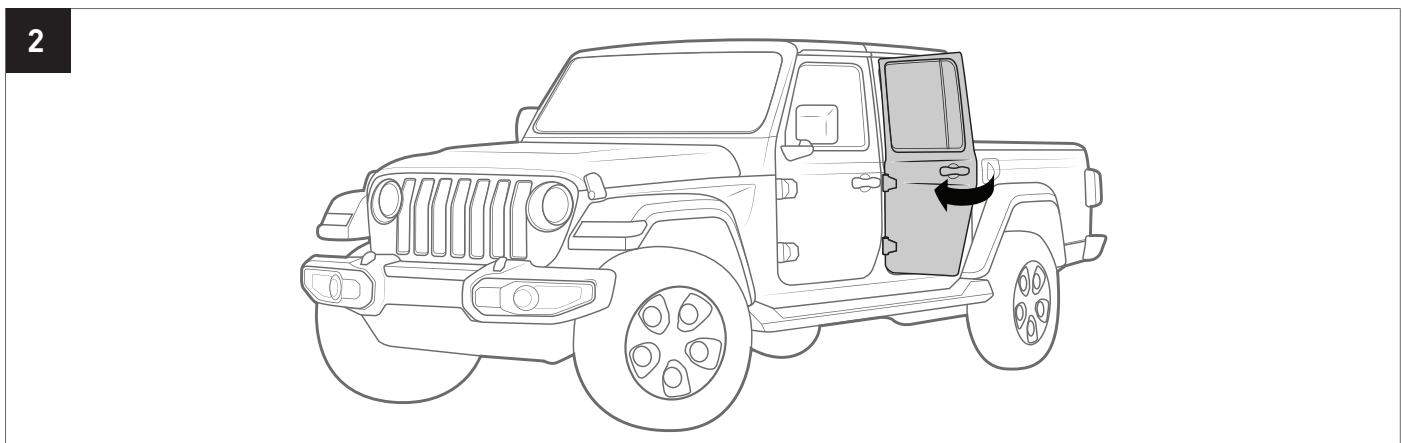
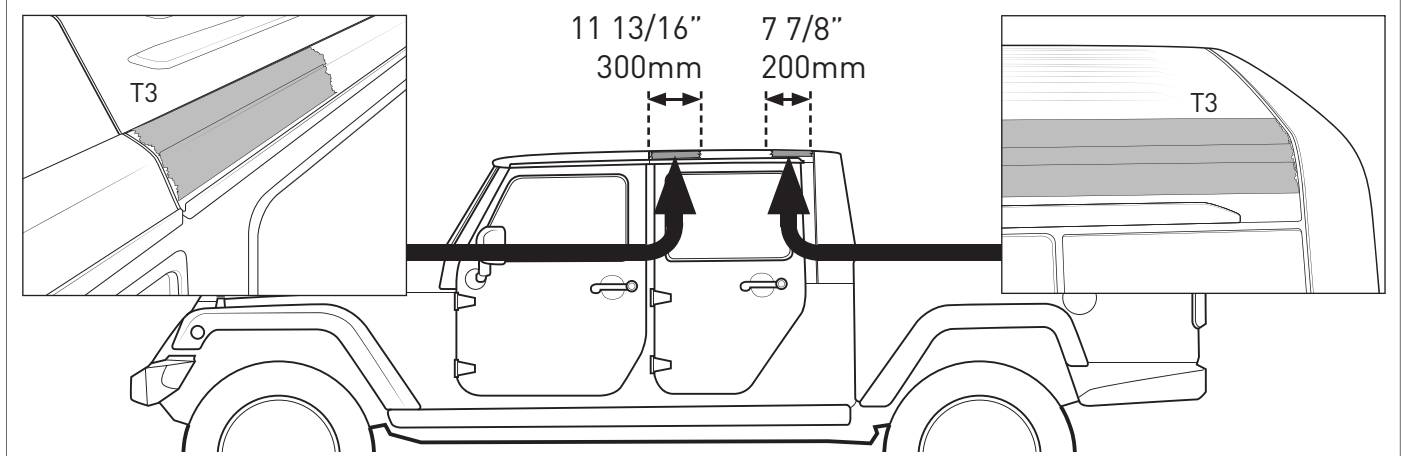
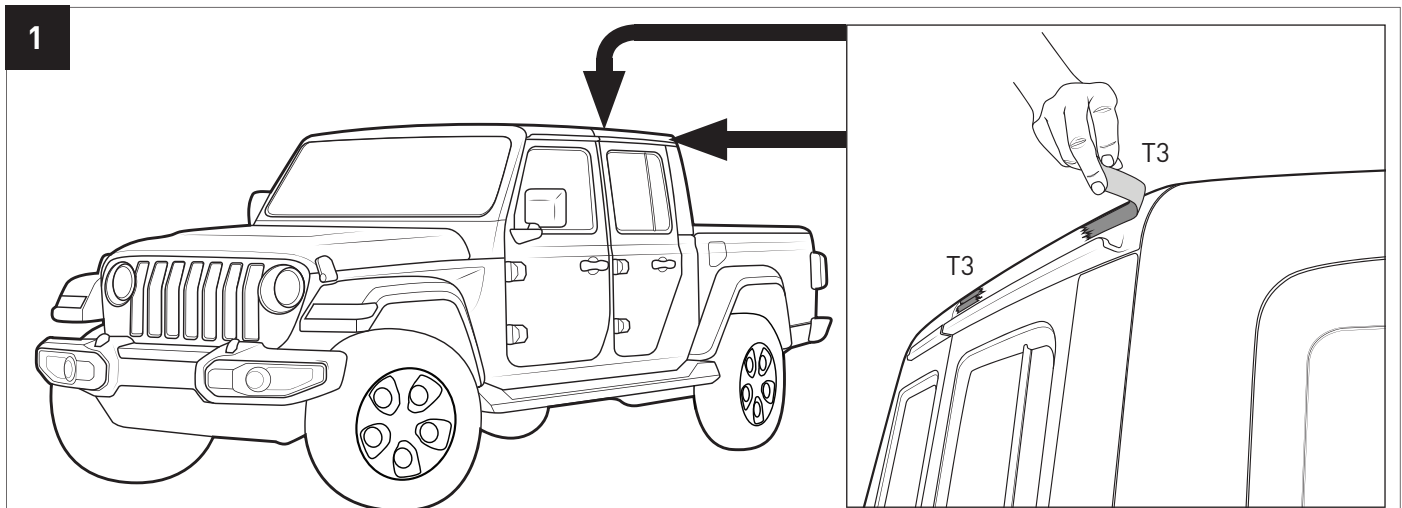
| Item | F | Qty |
|------|-----------------------|-----|
| 2 | M6 x 16mm flat washer | 3 |
| 19 | Front right upright | 1 |
| 18 | Rear right upright | 1 |
| 17 | M6 x 20mm dome head | 3 |

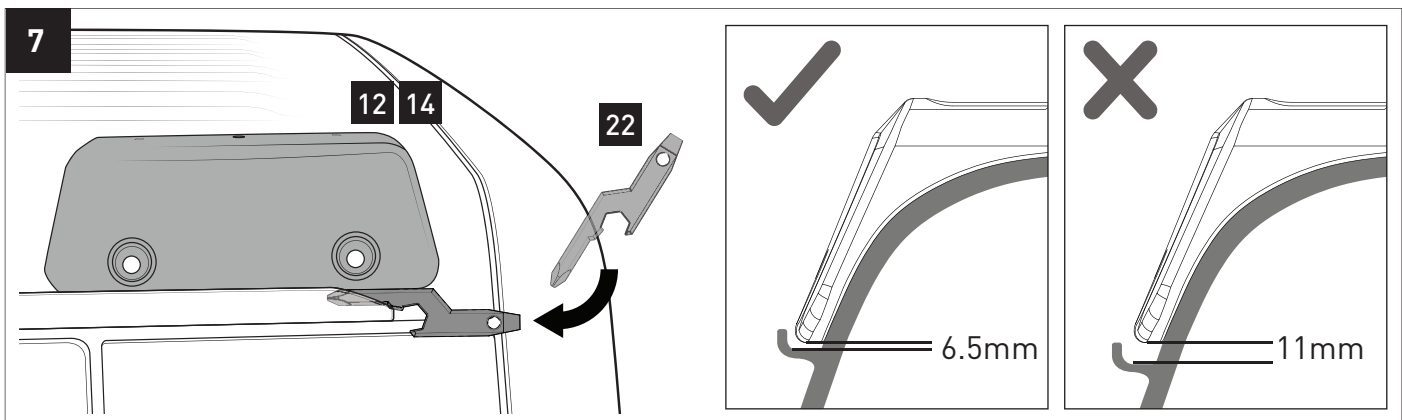
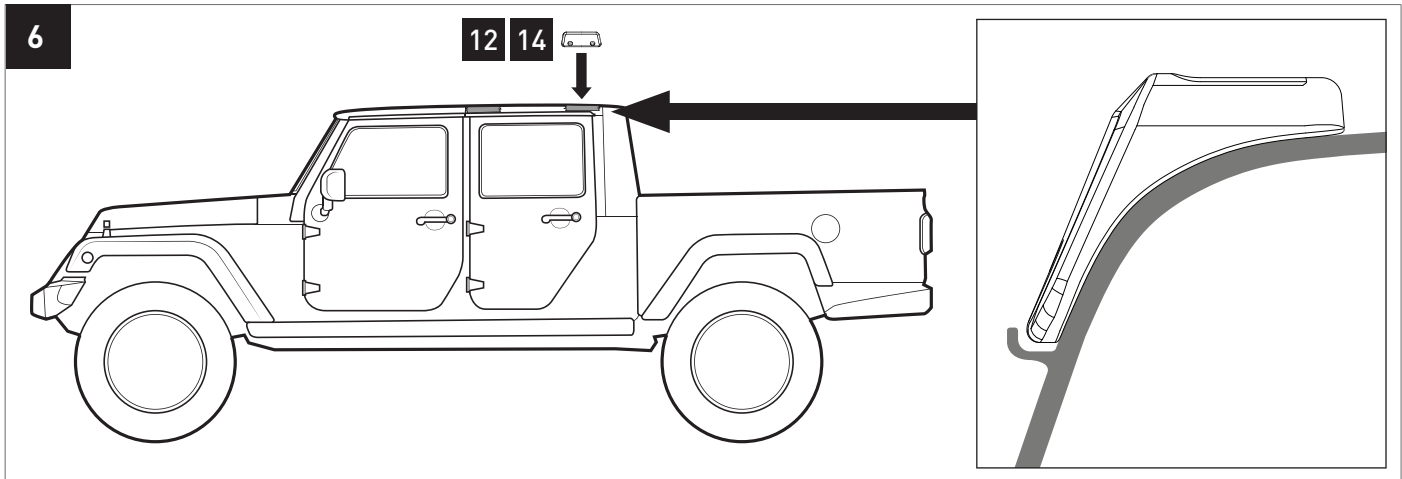
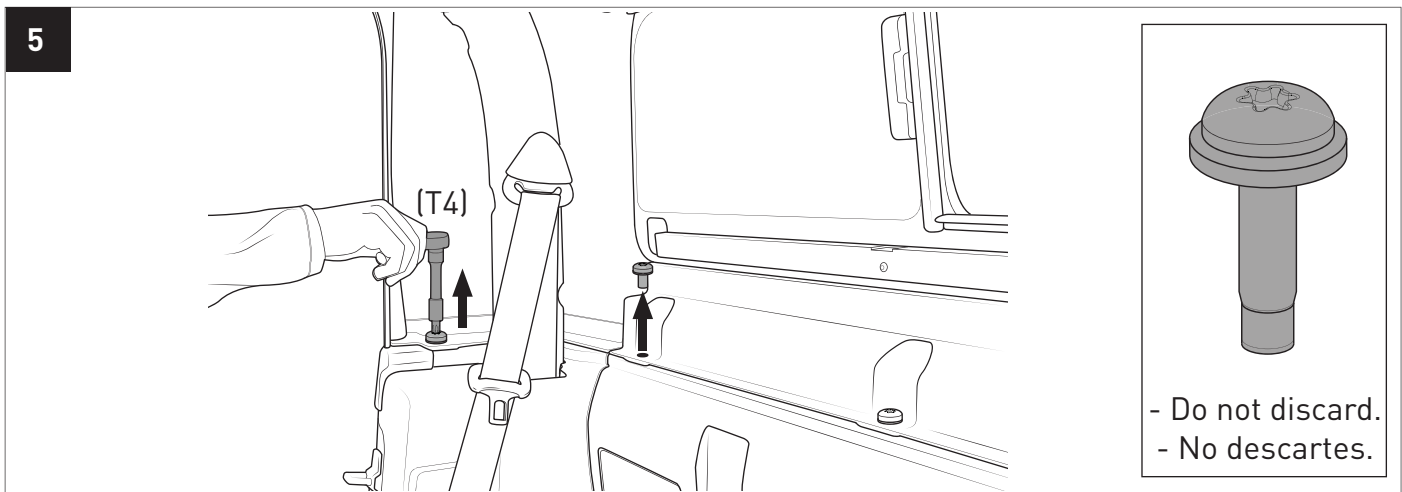
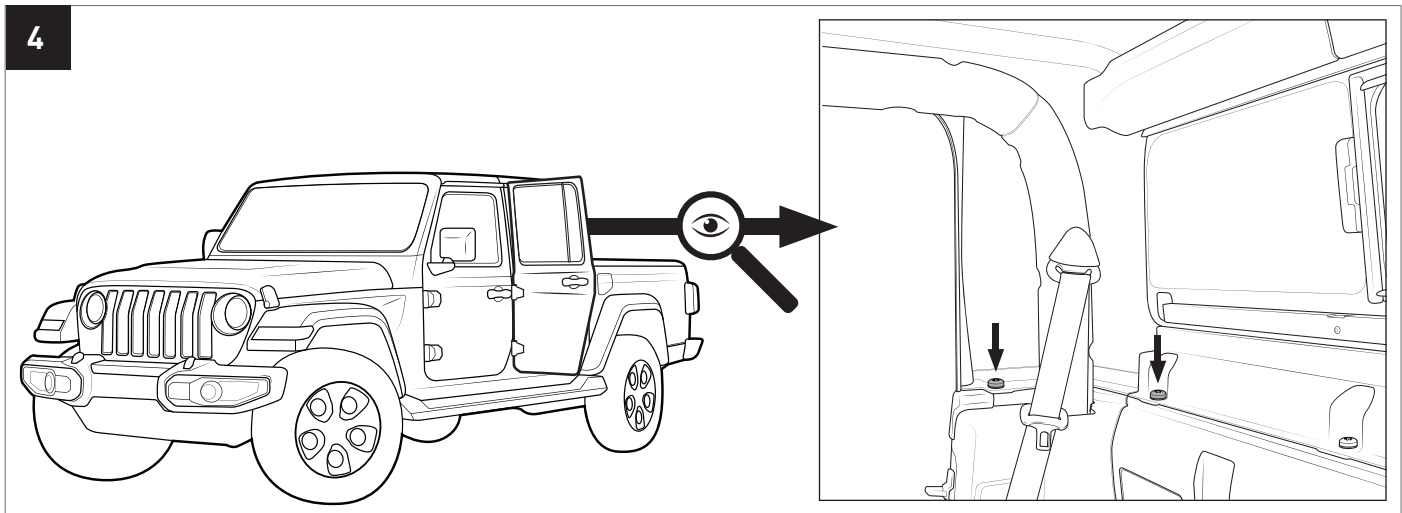
-Tools required:

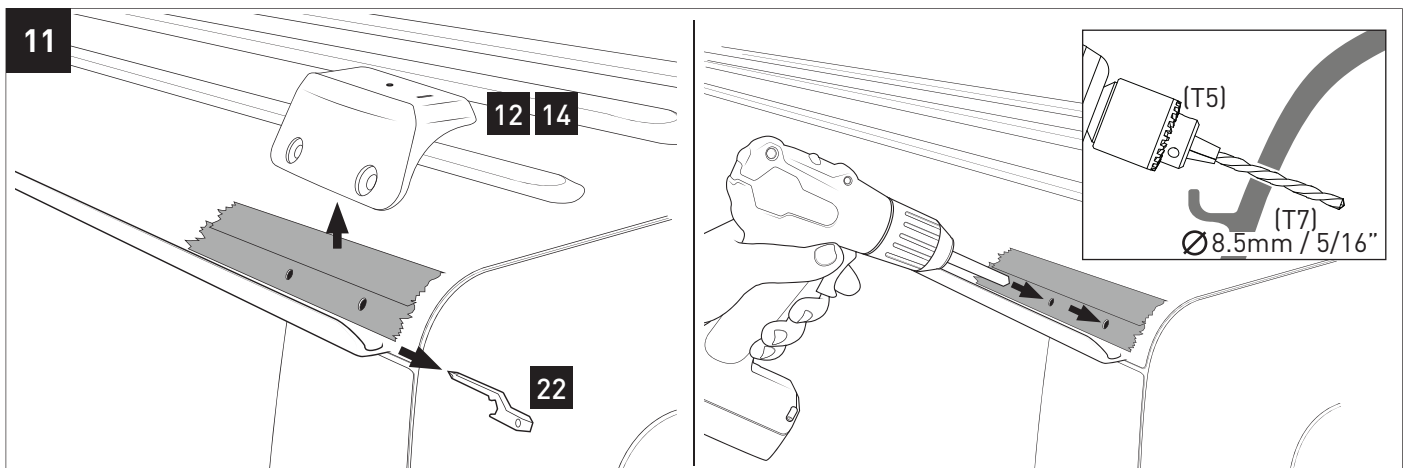
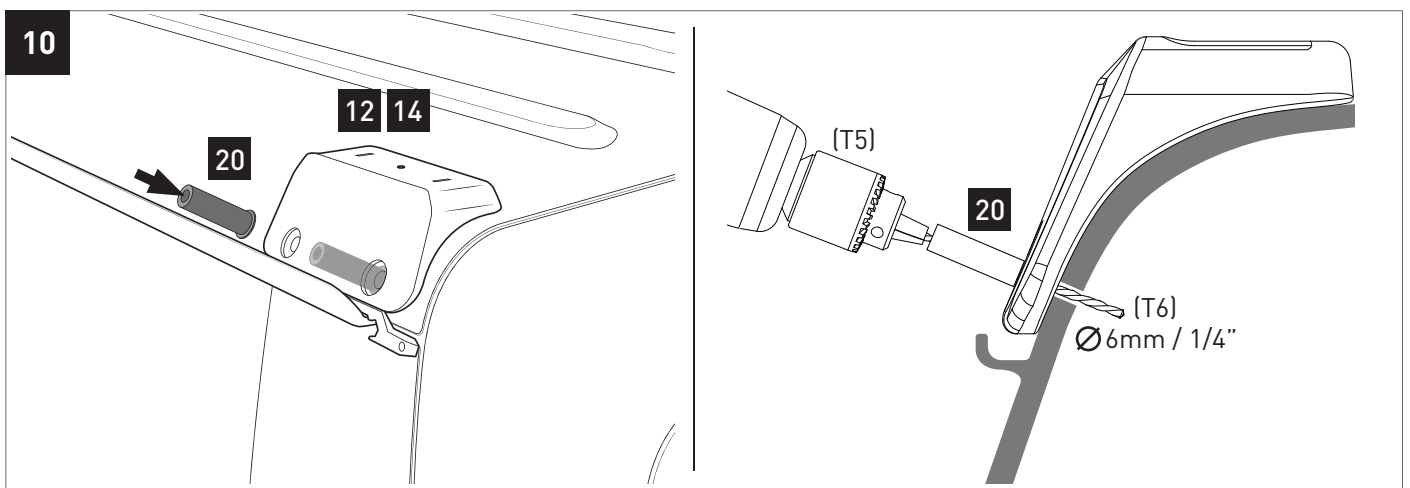
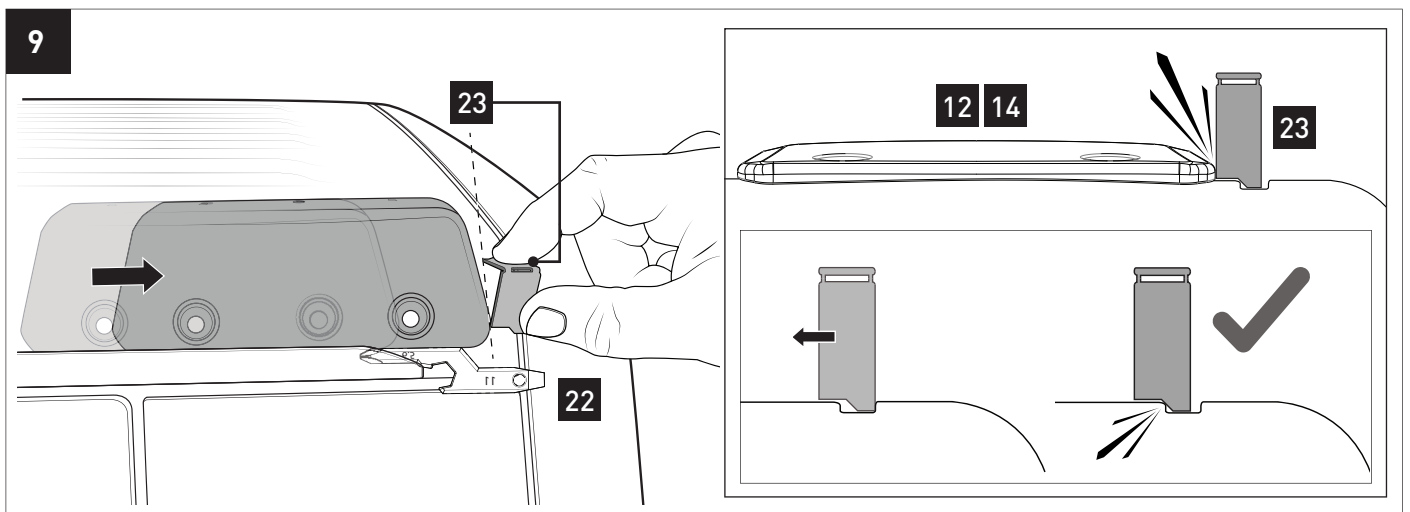
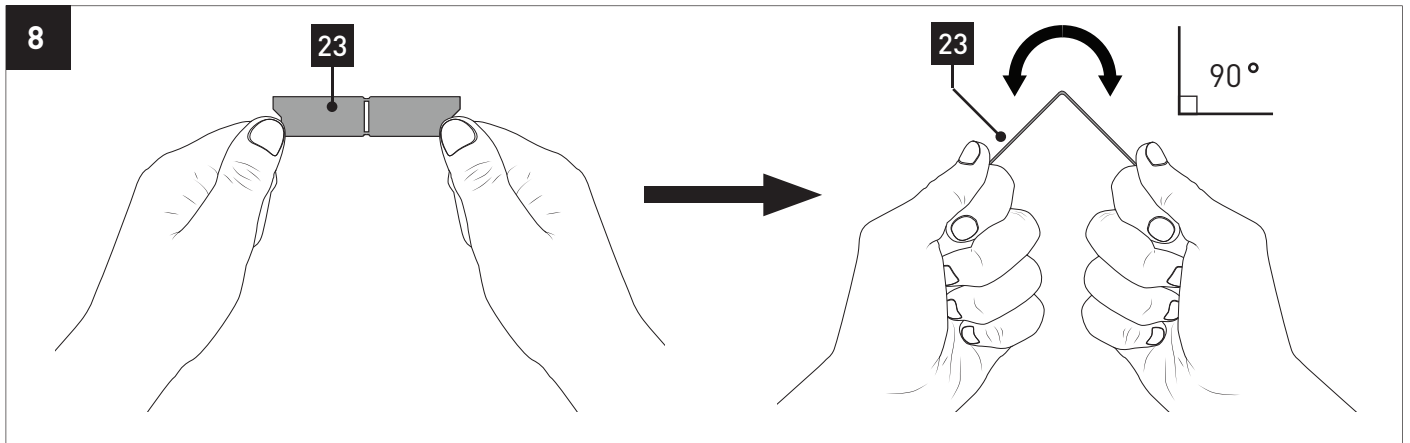
-Herramientas necesarias:

T1-Tape Measure. T9-Butyle mastic.
T2-Marker. T10-12.5mm/ 1/2" drill bit.
T3-Masking Tape.
T4-Jeep Torx Tool.
T5-Power drill.
T6-6mm/ 1/4" drill bit.
T7-8.5mm/ 5/16" drill bit.
T8-Vacuum.

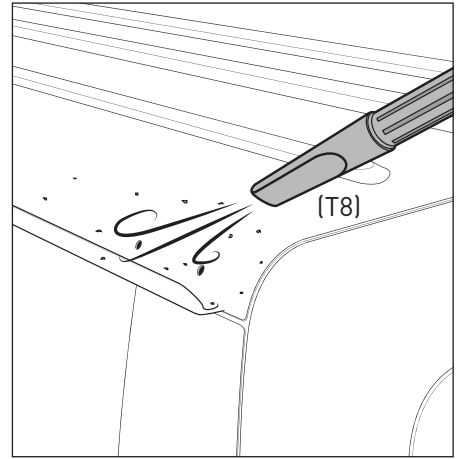
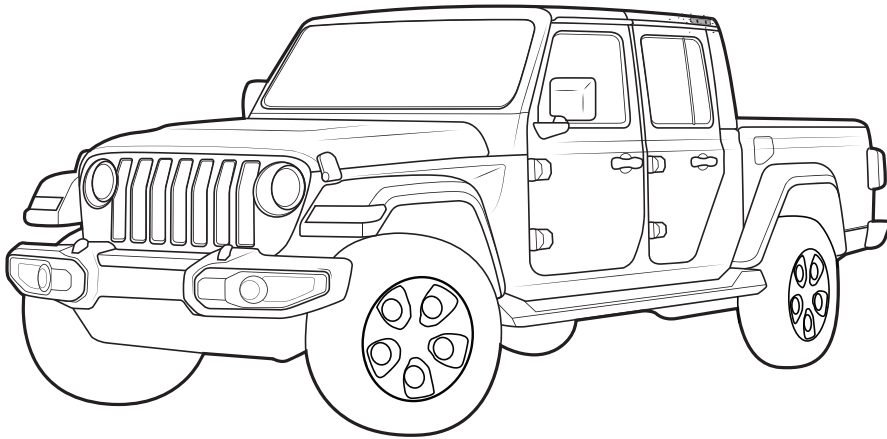
Jeep Gladiator Backbone



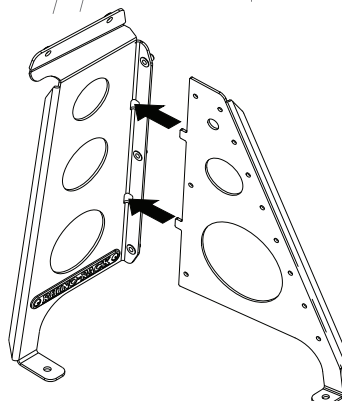
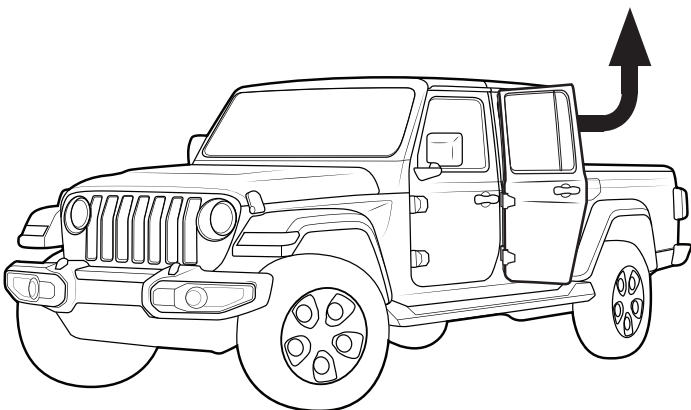
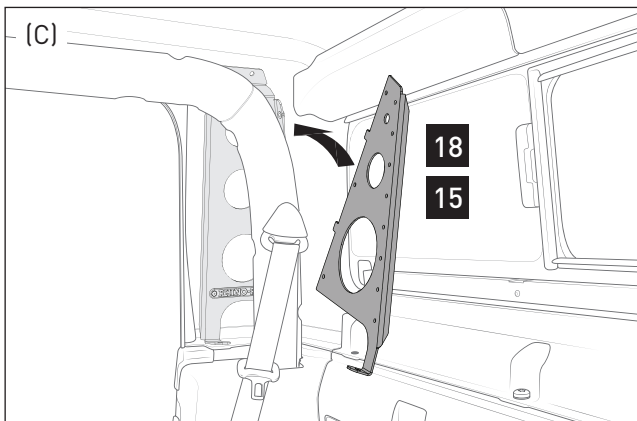
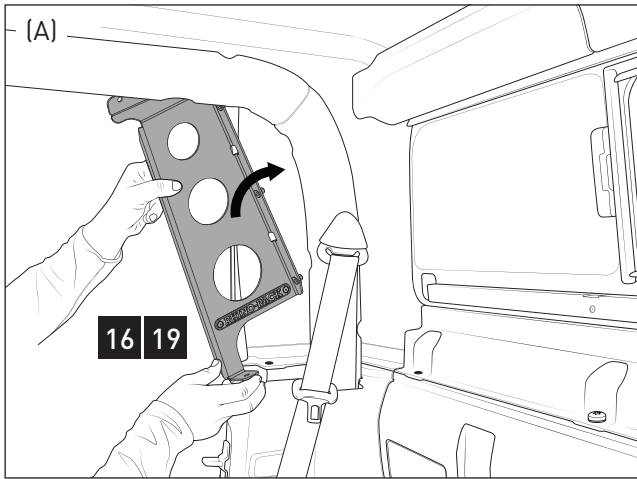




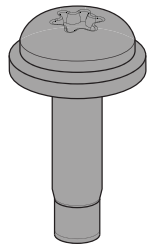
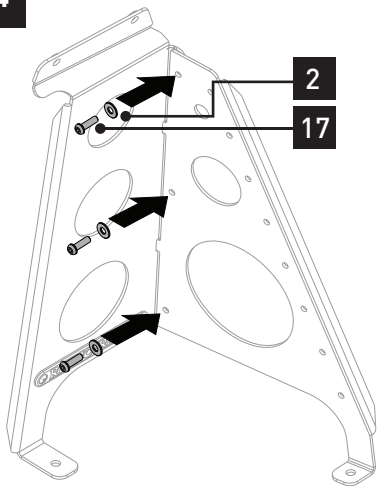
12



13

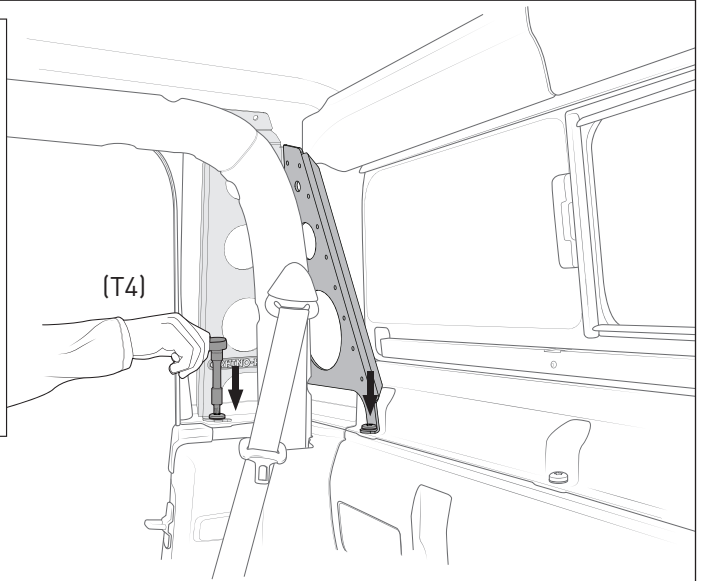


14

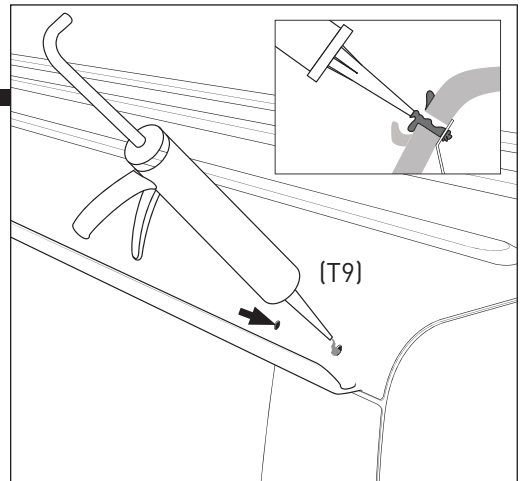
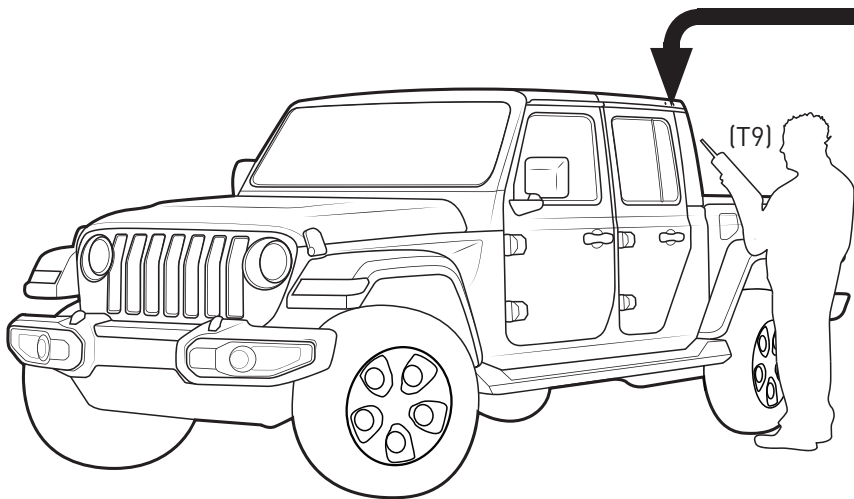


- Factory bolt.
- Perno de fábrica.

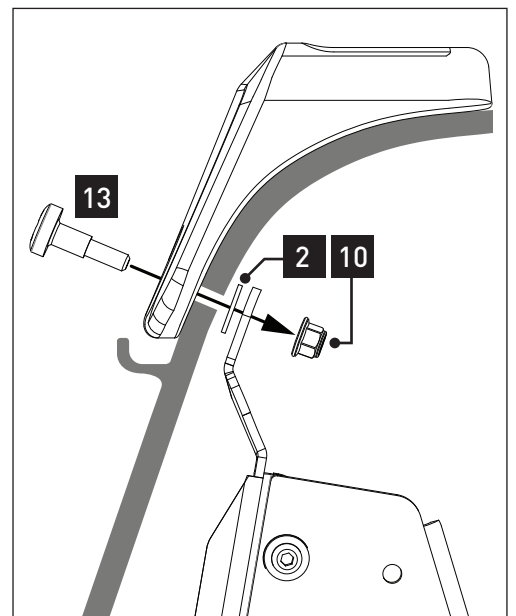
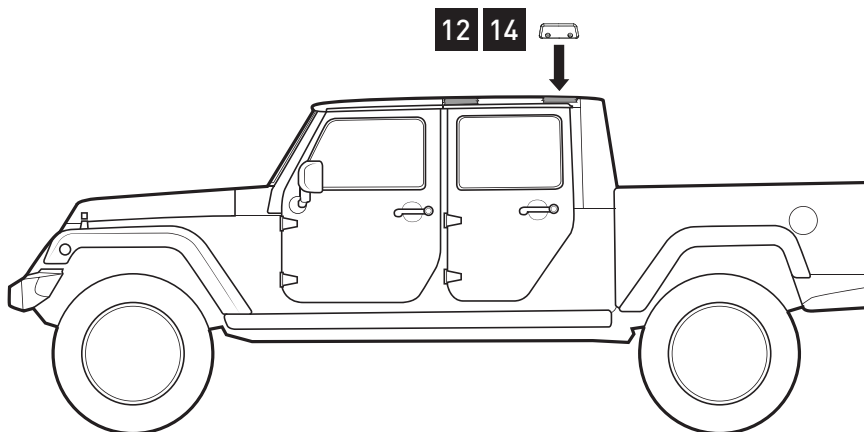
8-10NM
3-4LB/FT



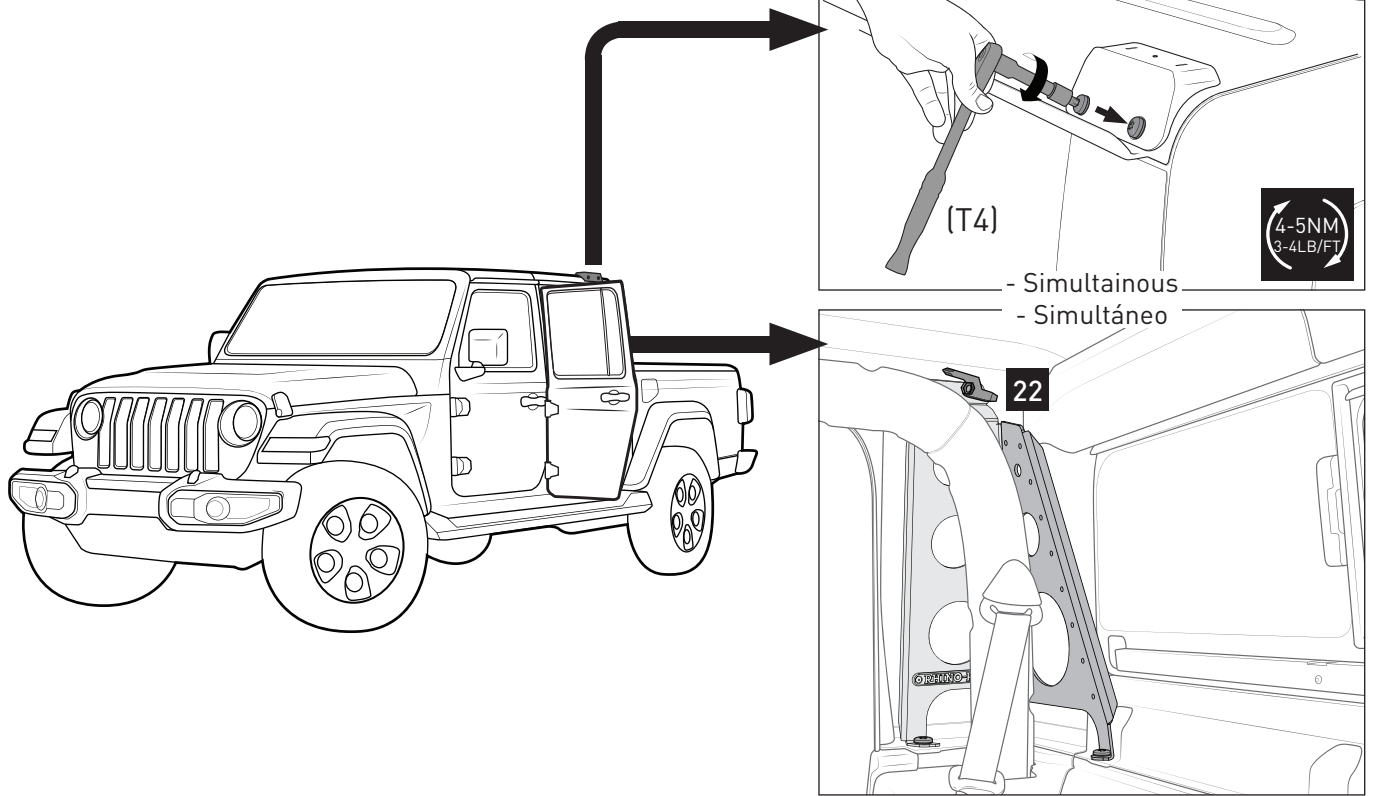
15



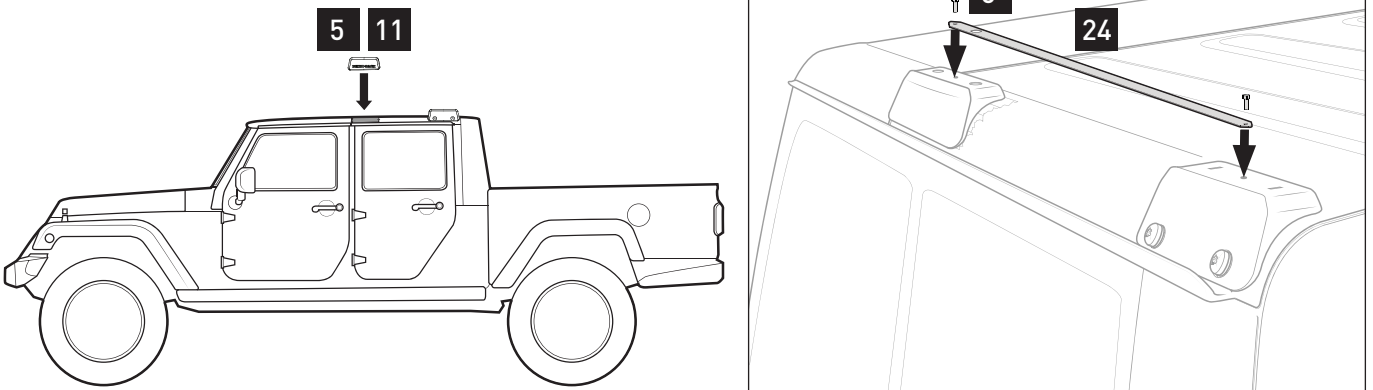
16



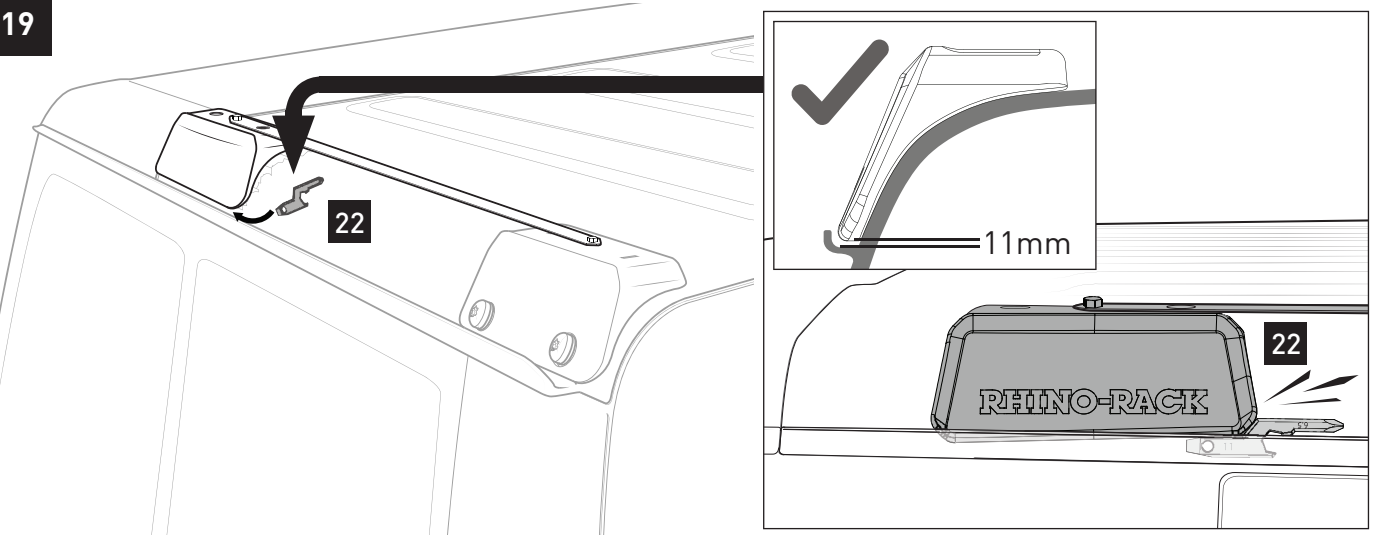
17



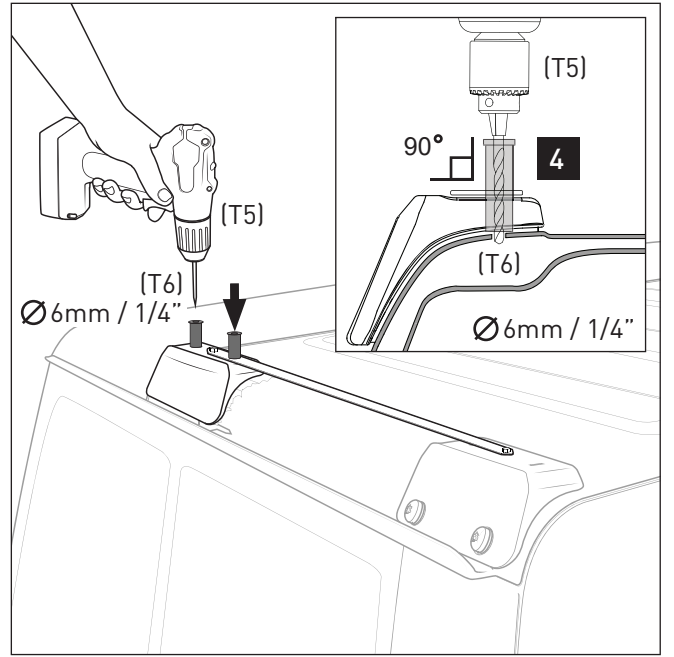
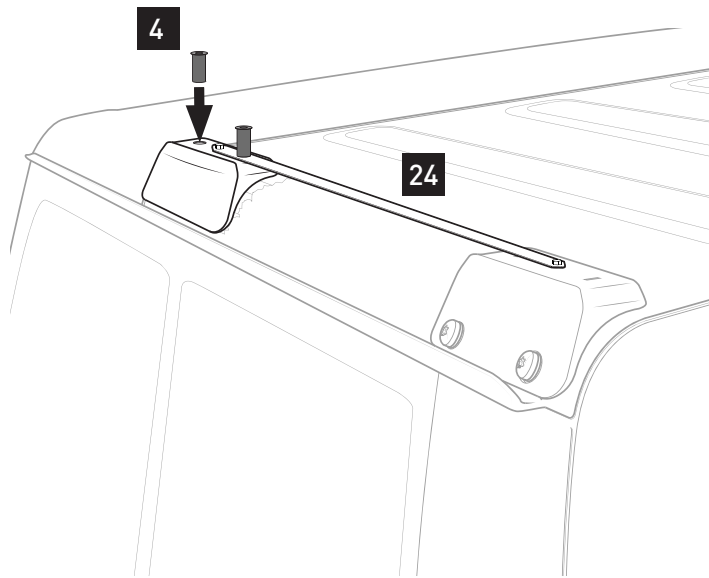
18



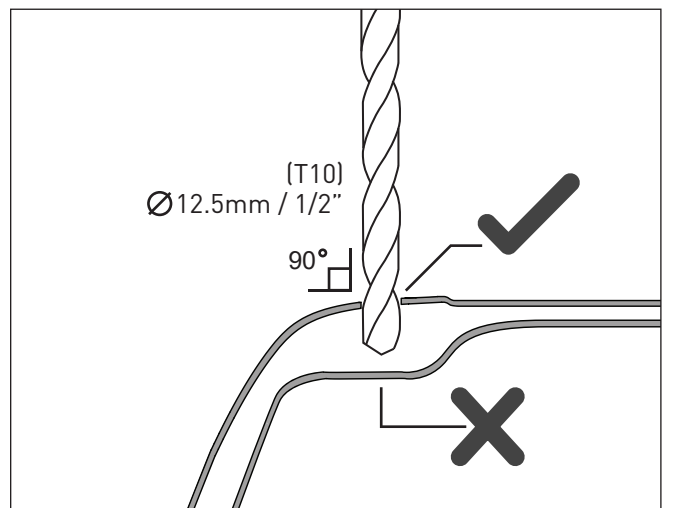
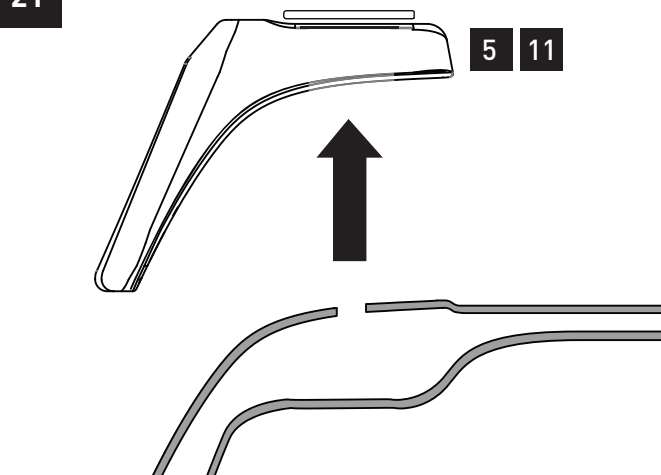
19



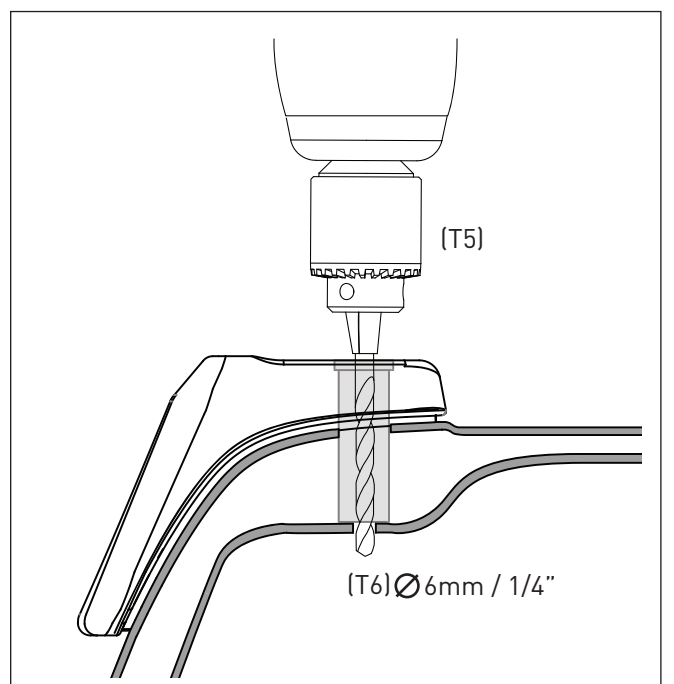
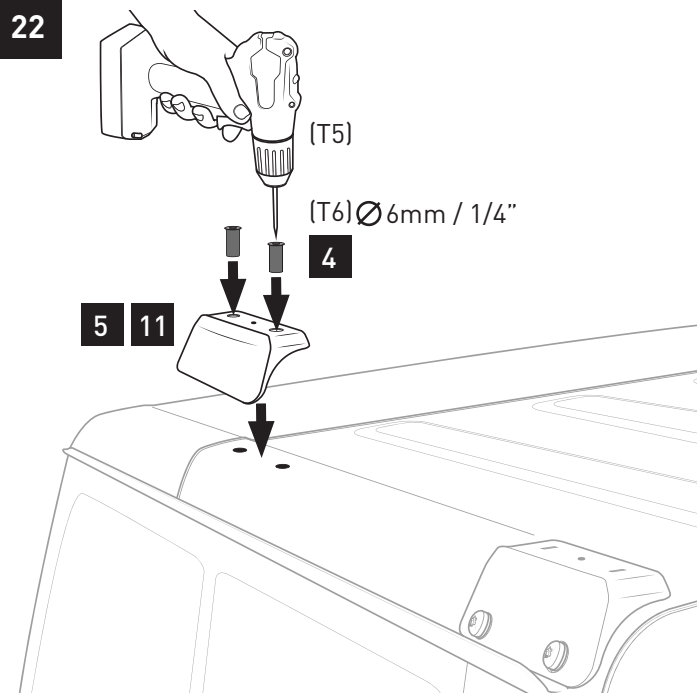
20



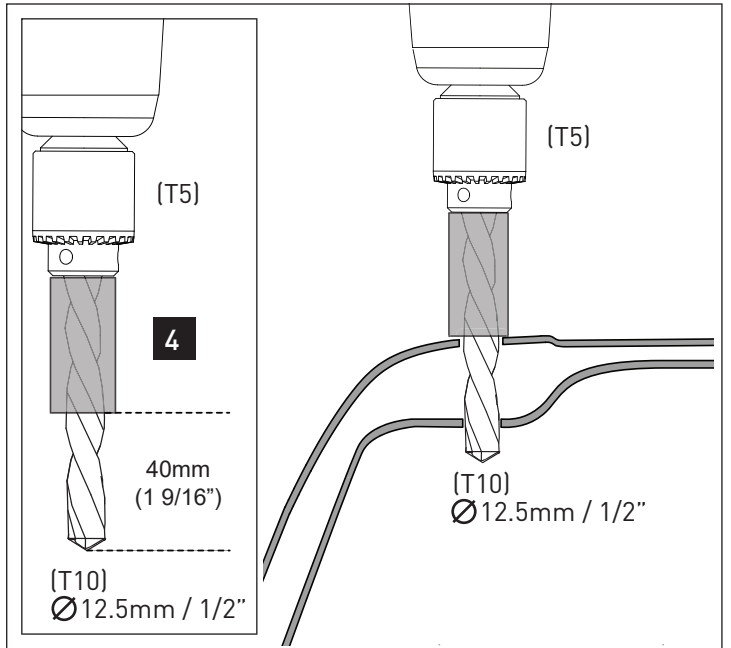
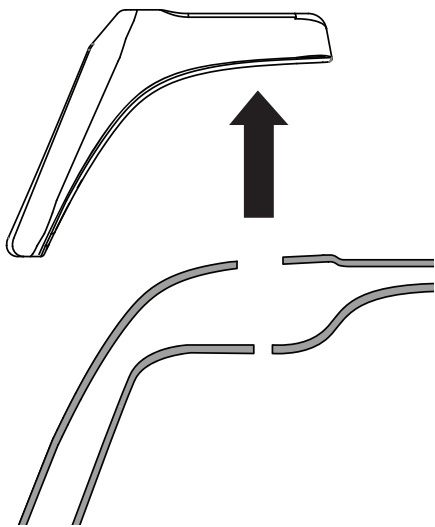
21



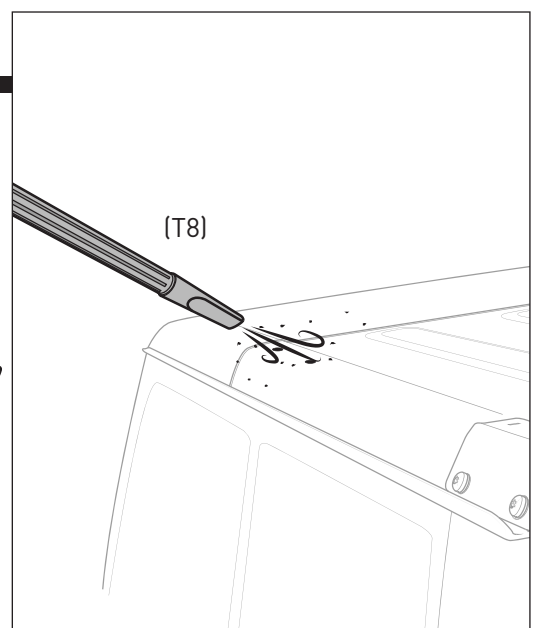
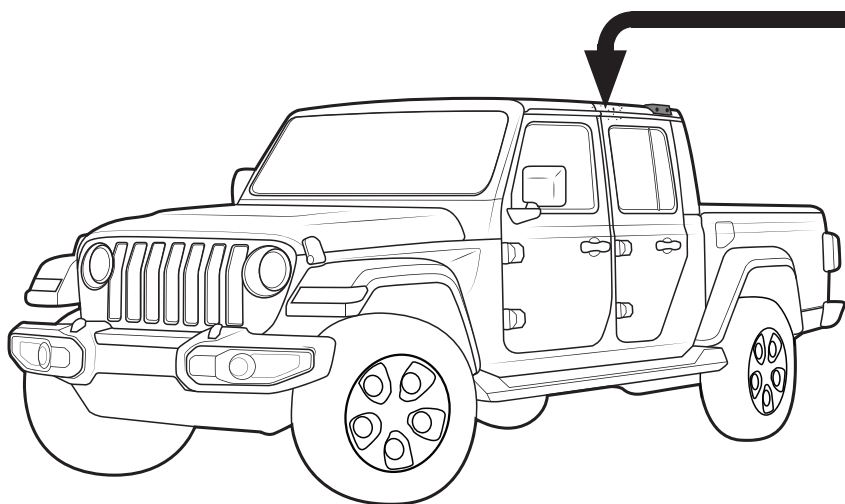
22



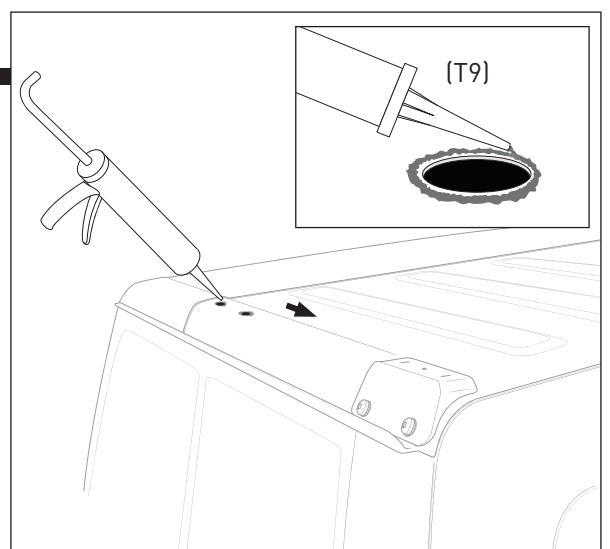
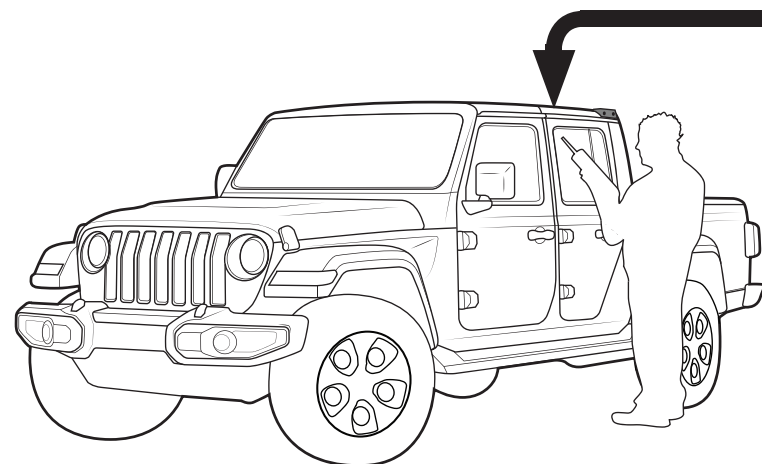
23



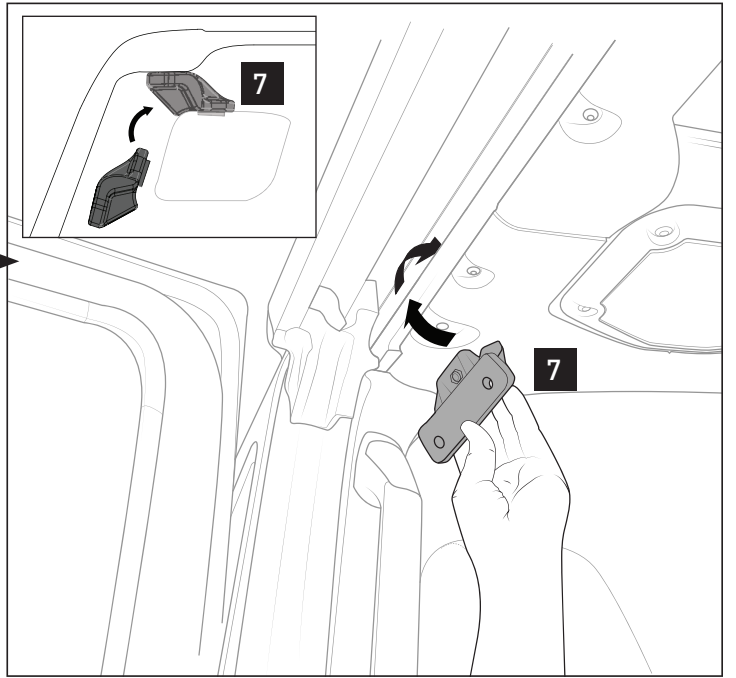
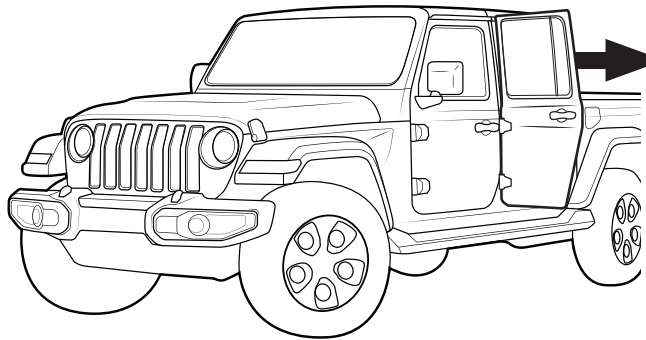
24



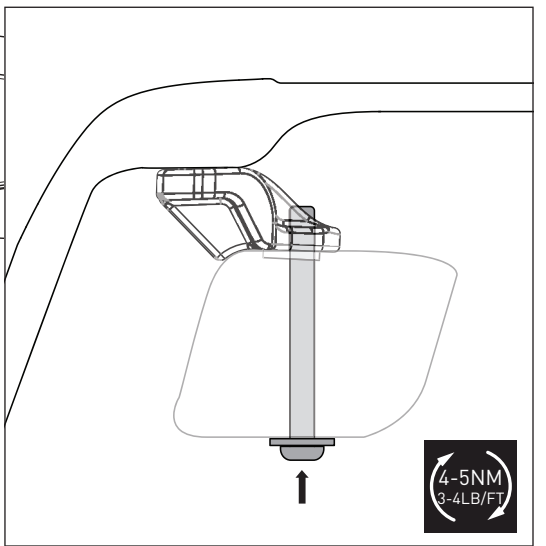
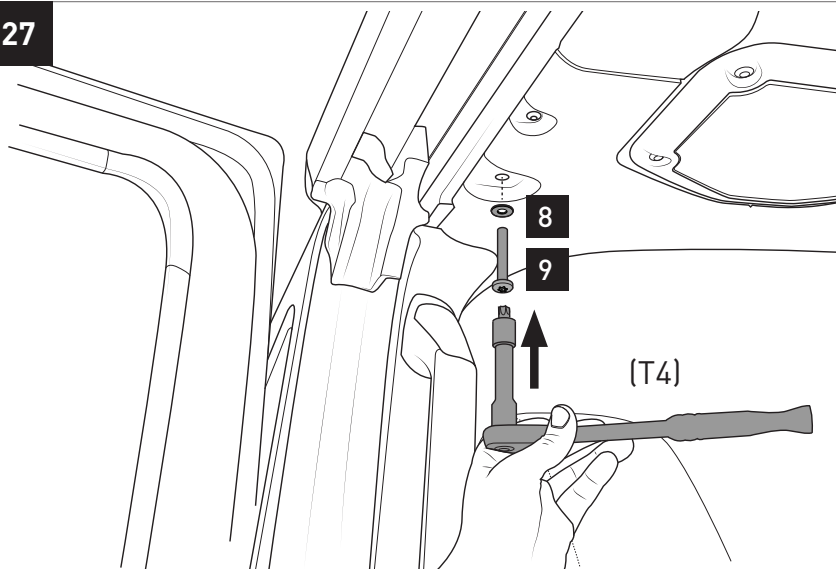
25



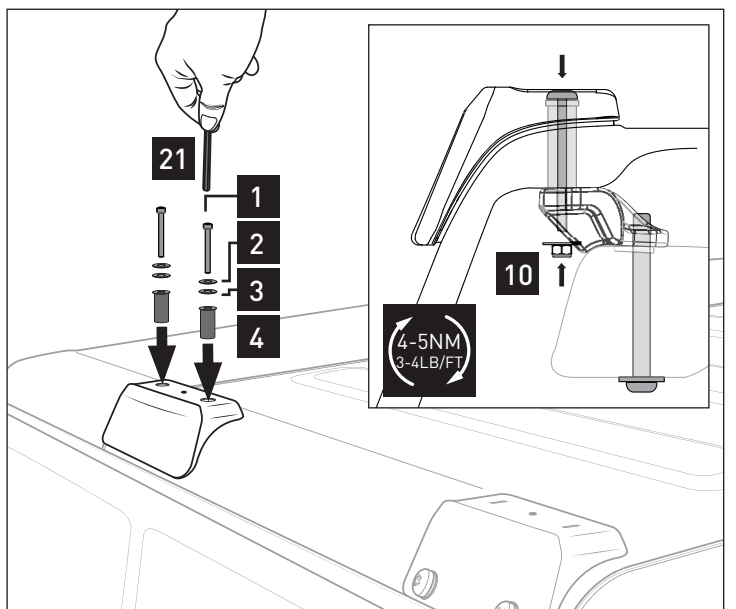
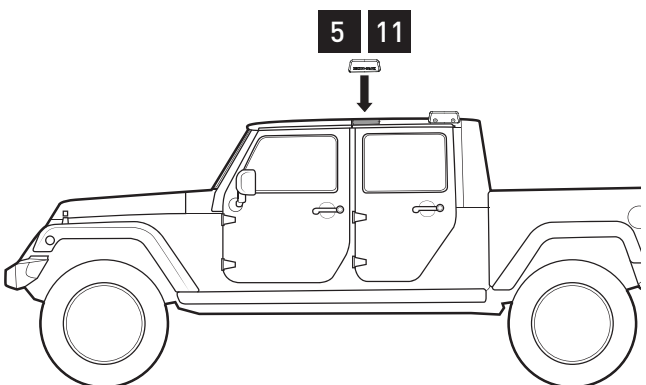
26



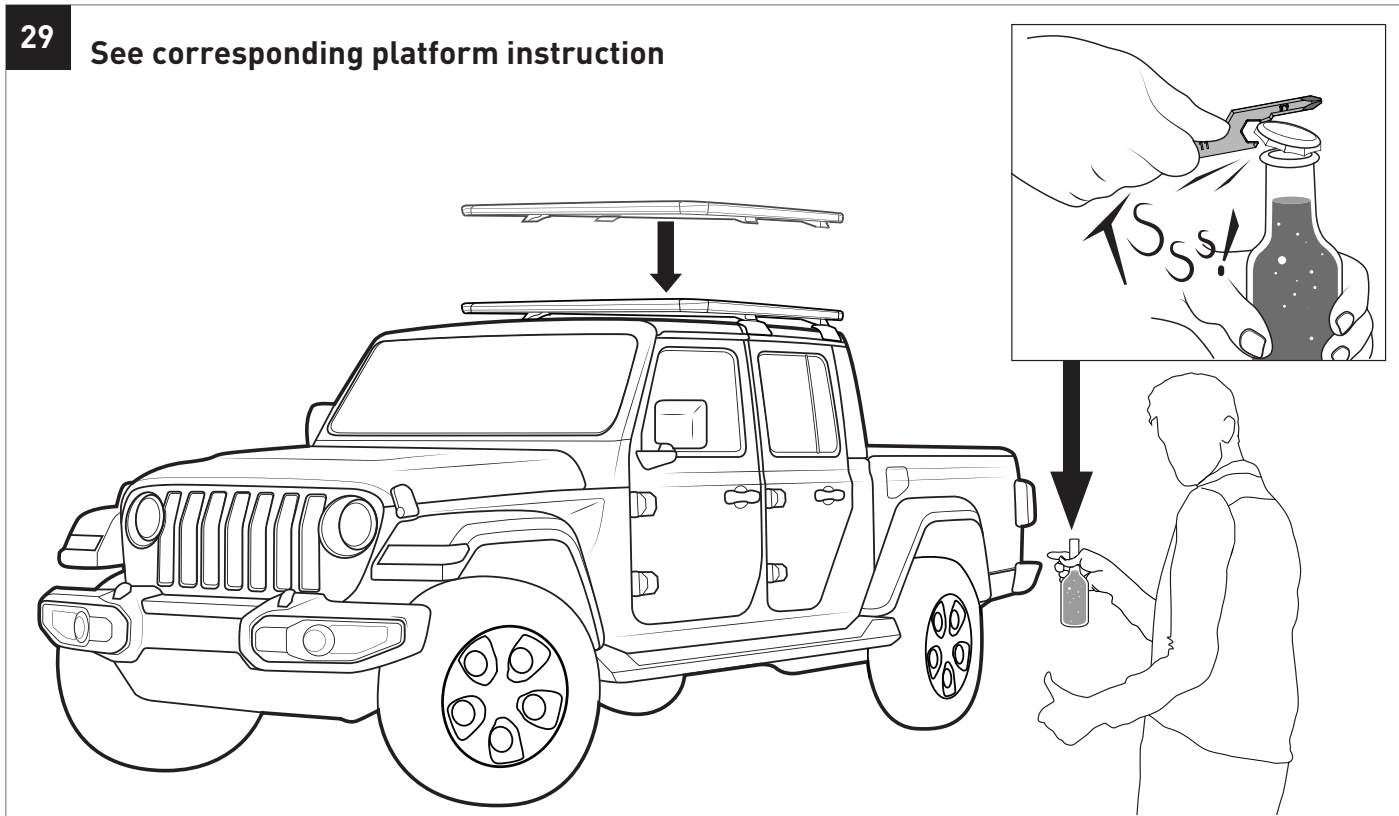
27



28



29 See corresponding platform instruction



To remove canopy after assembly

