

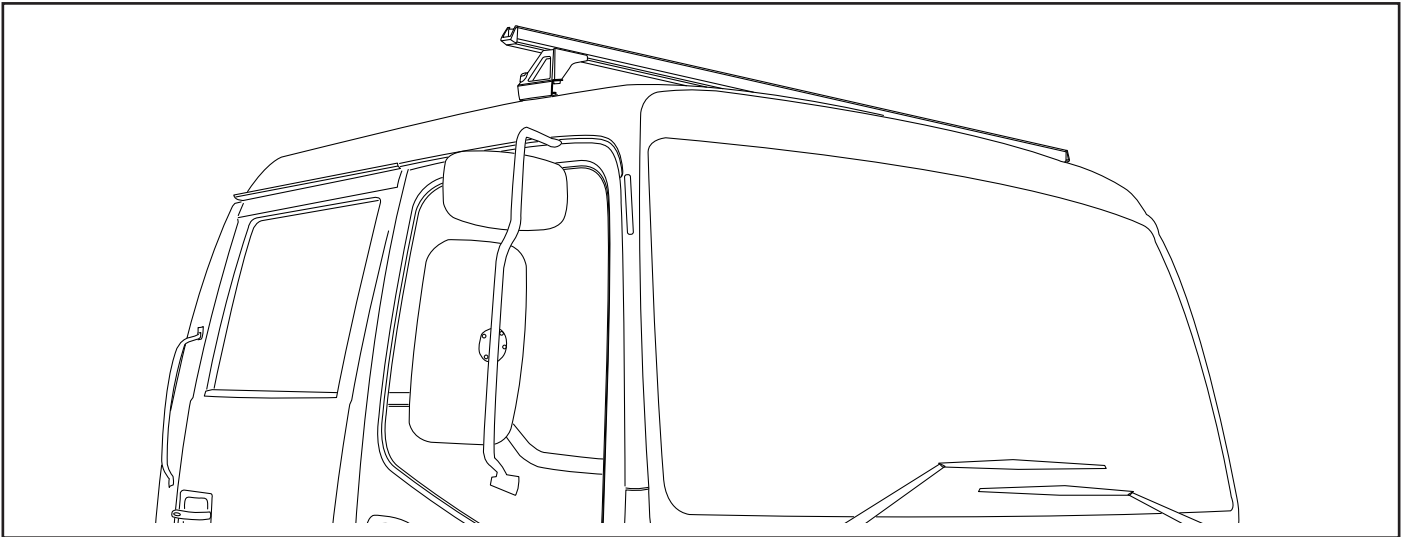


# RHINO-RACK

Aerodynamic & Heavy Duty Roof Rack Systems

## Rhino Heavy Duty Cross Bar System, Isuzu, Mitsubishi Fuso.

**Important:** Please read these instructions carefully prior to installation.  
Please refer to your fitting instruction to ensure that the roof racks are installed in the correct locations.  
Check the contents of kit before commencing fitment and report any discrepancies.  
Place these instructions in the vehicle's glove box after installation is complete.



**Care Instruction:** Wash vehicle roof especially the mounting points prior to installation.

### Important Information

**Maximum carrying capacities: One cross bar 50kg. Two cross bars 100kg.**

**Recommendations:**

It is essential that all bolt connections be checked after driving a short distance when you first install your cross bars. Bolt connections should be checked again at regular intervals (probably once a week is enough, depending on road conditions, usage, loads and distances travelled). You should also check the cross bars each time they are re-fitted.

Make sure to fasten your load securely. Please ensure that all loads are evenly distributed and that the centre of gravity is kept as low as possible.

**Use only non-stretch fastening ropes or straps.**

**Sensitivity to cross winds, behaviour in curves and braking.**

The handling characteristics of the vehicle, changes when you transport a load on the roof. For safety reasons, we recommend you exercise extreme care when transporting wind-resisting loads; special consideration must be taken into account when braking.

**Please remove cross bars when putting vehicle through an automatic car wash.**

**Load Ratings:**

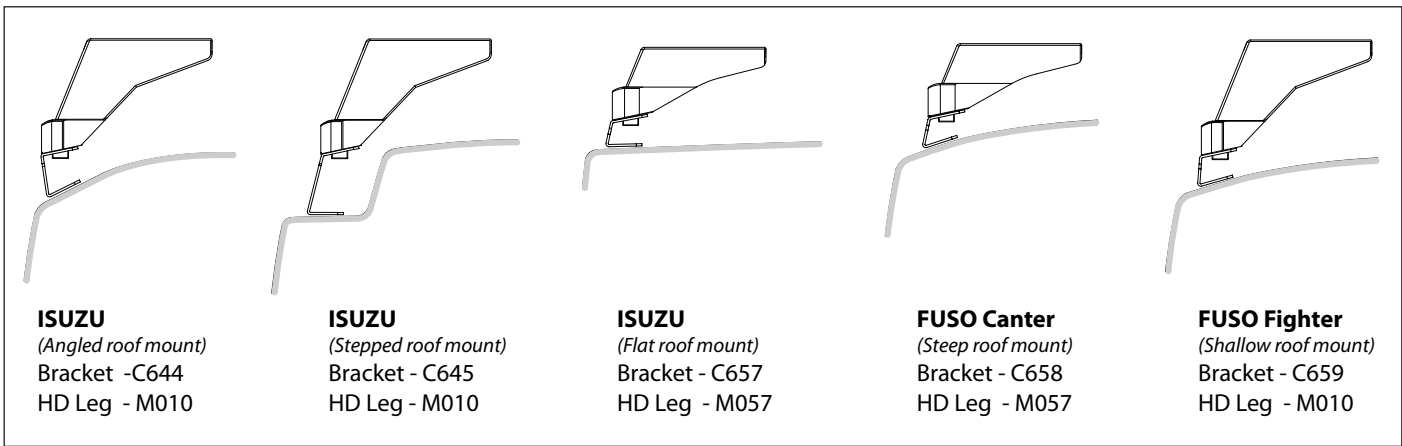
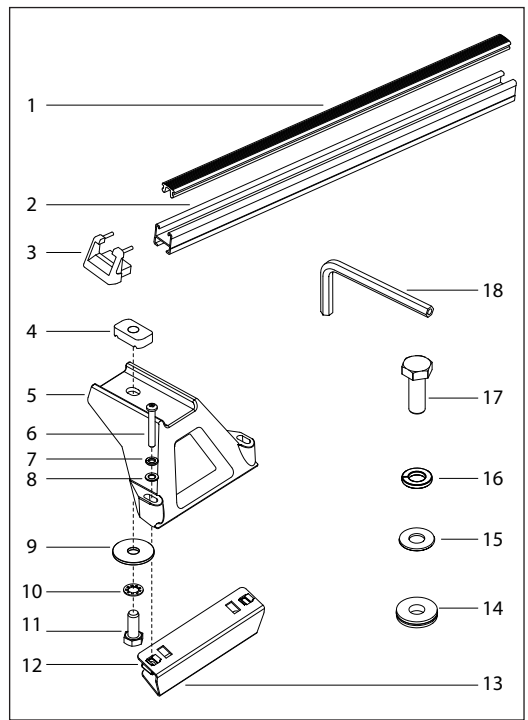
Maximum permissible load is 100kg per pair of cross bars (include the weight of the cross bars, 5kg). When cross bars are to be used in off-road conditions, please build a safety factor of 1.5 into this load limit, 33kg for One cross bar, 66kg for Two cross bars. Although the cross bars are tested and approved to AS1235-2000, Australian road conditions can be much more rigorous. However, increasing the number of cross bars does not increase the vehicles maximum permissible roof loading.



# Rhino Heavy Duty Cross Bar System - Isuzu and Mitsubishi Fuso.

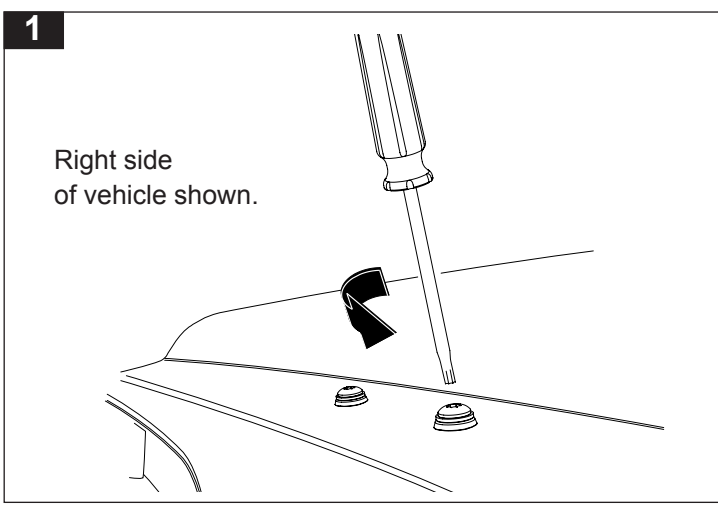
## Parts List

| Item | Component Name                  | Qty | Part No.                  |
|------|---------------------------------|-----|---------------------------|
| 1    | Heavy Duty Rubber Buffer 2000mm | 1   | R001                      |
| 2    | Heavy Duty Cross Bar 2000mm     | 1   |                           |
| 3    | Heavy Duty Cross Bar End Cap    | 2   | M002                      |
| 4    | M10 Channel Nut                 | 2   | N024                      |
| 5    | Rhino Heavy Duty Leg            | 2   | diagram below M010 / M057 |
| 6    | M6 x 35mm Security Screw        | 4   | B092                      |
| 7    | M6 Spring Washer                | 4   | W004                      |
| 8    | M6 x 12.5mm Flat Washer         | 4   | W003                      |
| 9    | M10 x 38 Flat Washer            | 2   | W022                      |
| 10   | M10 Shake-proof Washer          | 2   | W021                      |
| 11   | M10 x 20 Hex Bolt               | 2   | B003                      |
| 12   | M6 Cage Nut                     | 4   | N017                      |
| 13   | Stainless Steel Leg Bracket     | 2   | diagram below C644 - C659 |
| 14   | M8 Foam/Copper Washer           | 4   | C372                      |
| 15   | M8 Flat Washer                  | 4   | W036                      |
| 16   | M8 Spring Washer                | 4   | W019                      |
| 17   | M8 x 20mm Hex Bolt              | 4   | B020                      |
| 18   | 5mm Security Allen Key          | 1   | H021                      |
| 19   | Fitting Instruction             | 1   | RR-178                    |



**Tools Required:**

|  |                       |                            |
|--|-----------------------|----------------------------|
| 5mm Security Allen key, provided in kit. | 16mm or 5/8" spanner. | Tape Measure.              |
|  | 13mm spanner.         | Torques Drive T40.         |
|  | Rubber mallet.        | Phillips Head screwdriver. |



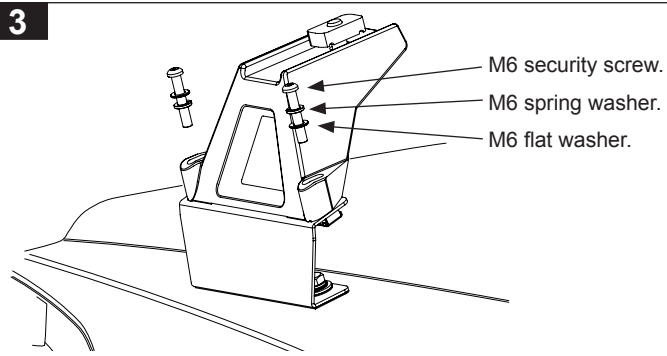
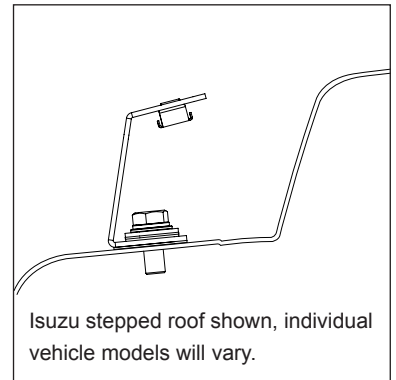
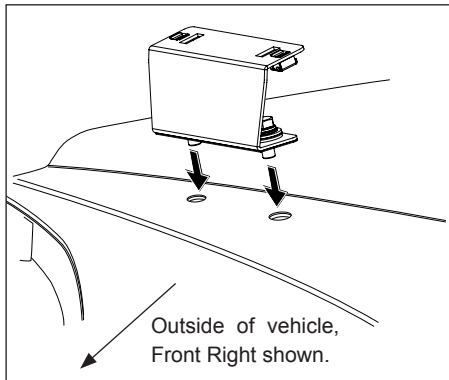
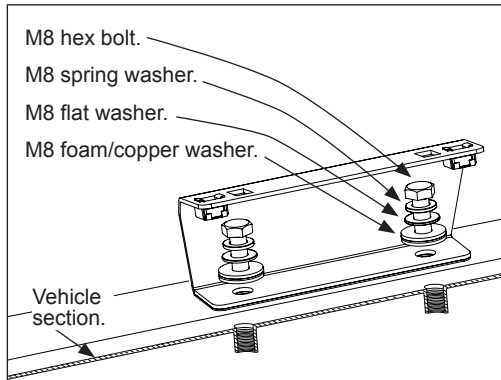
**Remove Screws:**

Locate the screws on the roof of the cab. You will need either a **Torques bit No.40** or **Phillips head screwdriver** depending on vehicle brand and model. Remove the screws and washers, they will be replaced with supplied M8 hex bolts.



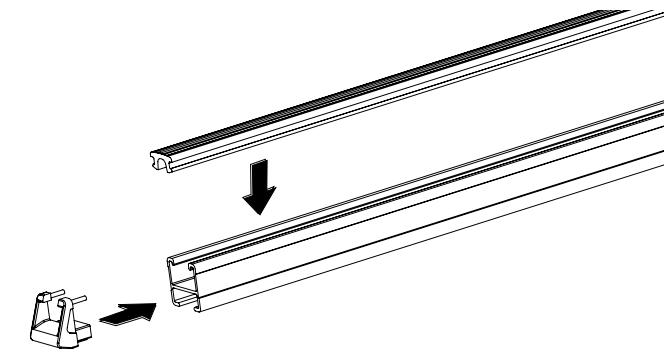
# Rhino Heavy Duty Cross Bar System - Isuzu and Mitsubishi Fuso.

**2** Place bracket over the holes. Have the opening of the bracket facing the inside of the vehicle. Refer to diagram below for washer and nut placement. **Tighten M8 bolts to 5-6 Nm.**

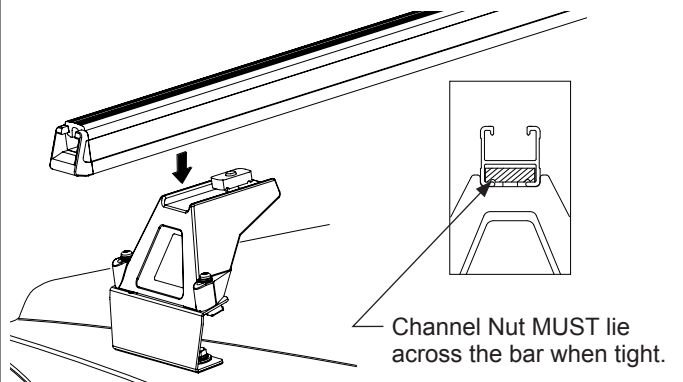


**Attach Leg:**  
Attach the screw and washer assembly as shown. Finger tighten the support leg attachment bolts, as final adjustment and tightening occurs later.

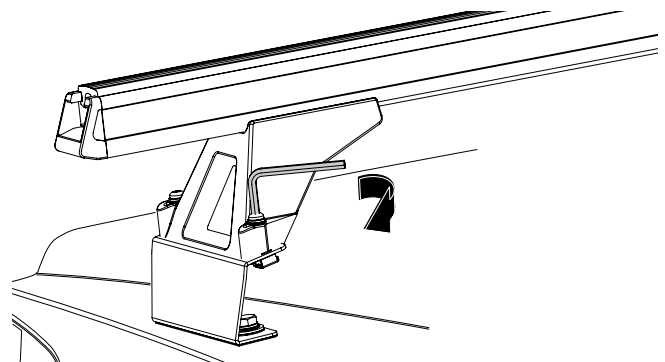
**4 End Caps & Buffer Strip:**  
Insert the rubber buffer strip into the top of the cross bar, check that its fully inserted, it may need to be trimmed. Fit the end caps into the cross bar ends, a rubber mallet maybe required to fit the end caps.



**5 Attach Cross Bar:**  
Place the cross bar onto the support legs. Push the cross bar attachment bolt up and turn the bolt so that the channel nut is located fully across the cross bar. **Leave the M10 bolts loose at this stage.**



**6 M6 Security screws:**  
On all legs tighten the two M6 Security screws to 3-4Nm. **DO NOT OVER TIGHTEN.**



**7 Cross Bar overhang:**  
Ensure the cross bar overhang (A) is equal on both sides, re-adjust if required. Tighten M10 attachment bolts to 4-5 Nm. **DO NOT OVER TIGHTEN.**

