

250 Series - Lower Mount Kit

Right Weigh
Load Scales

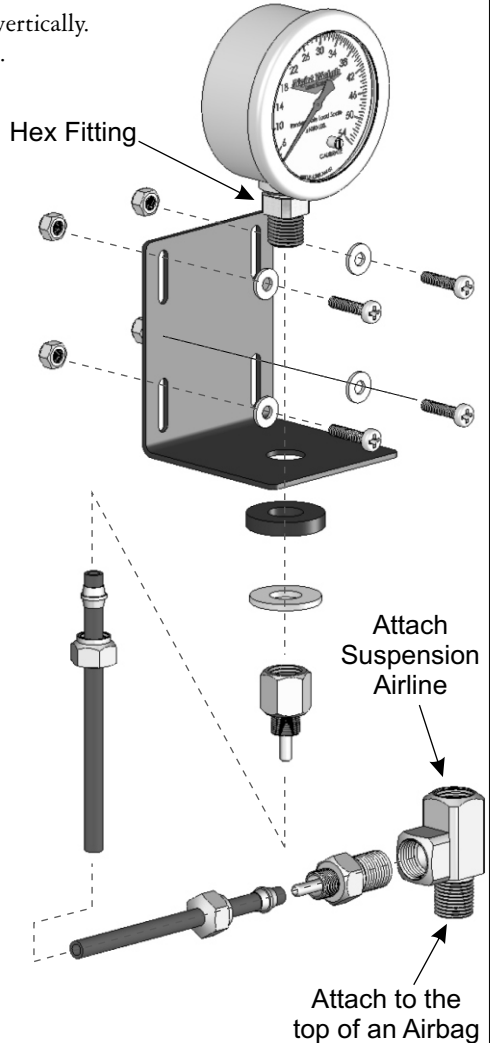
Mount the 250 Series (lower mount) bracket in a location that is easily accessible and safe from external damage (posts, forklifts, tire caps, etc.).

! **Attention:** The gauge must be mounted vertically.
DO NOT mount on an angle or sideways.

! **Attention:** ALWAYS install (or remove) the gauge using a wrench on the hex fitting only. Do not attempt to tighten (or loosen) by turning the housing or any other part of the gauge.

! **Attention:** ALWAYS use a thread sealant to ensure leak-free operation.

! **Attention:** DO NOT drill or cut mounting holes in the main chassis or any other part of the vehicles main framework unless it is approved by the manufacturer. Drilling holes without approval may void your warranty with the vehicle manufacturer.



Learn more about custom gauges on our website.