



# INSTALLATION INSTRUCTIONS

## 360 SERIES

### PRODUCTS INCLUDE:

- (2) RIGID 360 Lights (4 or 6 inch)
- Mounting hardware



### IMPORTANT

THANK YOU FOR PURCHASING RIGID INDUSTRIES' PRODUCTS FOR YOUR VEHICLE.

Please read through all of these Instructions and tips before proceeding with the installation. We do our best to provide a simple installation process for all applications however a professional installation is always recommended.

Always disconnect any power sources connected to your vehicle before servicing fuses or electrical systems.

### WIRING LEADS



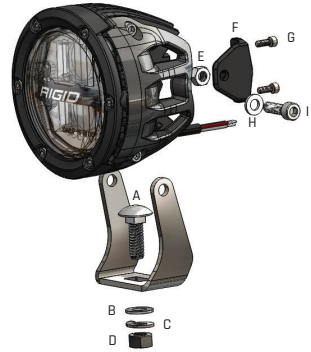
RED WIRE = PROJECTING TRIGGER

BLACK WIRE = GROUND

WHITE WIRE = BACK-LIGHTING TRIGGER

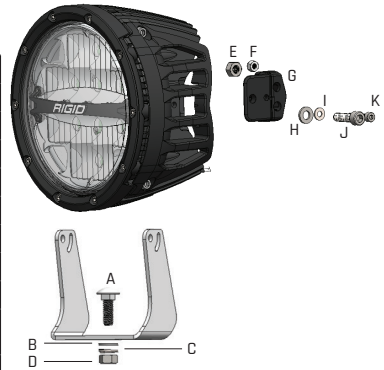
## 4" 360-SERIES ASSEMBLY DIAGRAM

A	M8x25mm Carriage Bolt	Place through bracket
B	M8 Flat Washer	Place on carriage bolt
C	M8 Lock Washer	Place on carriage bolt
D	M8 Nut	Tighten light to bracket
E	M6 Ny Lock Nut	Place in Heatsink
F	Mounting Bushing	Slide into Heatsink
G	6-32x.375" Socket Head	Tighten mount bushing to Heatsink
H	M6 Flat Washer	Place on item I prior to install
I	M6x22mm Socket Head	Tighten the bracket to the light (Torque 32in-lbs)



## 6" 360-SERIES ASSEMBLY DIAGRAM

A	M8x25mm Carriage Bolt	Place through bracket
B	M8 Flat Washer	Place on carriage bolt
C	M8 Lock Washer	Place on carriage bolt
D	M8 Nut	Tighten light to bracket
E	M6 Ny Lock Nut	Place in Heatsink
F	M4 Ny Lock Nut	Place into mounting bushing
G	Mounting Bushing	Slide into Heatsink
H	M6 Flat Washer	Place on J prior to install
I	M4 Flat Washer	Place on K prior to install
J	M6x22mm Socket Head	Tighten bracket to the light (Torque 32in-lbs)
K	M4x22mm Socket Head	Tighten the bracket to the light (Torque 9in-lbs)



Wiring: Wire your lights according to the instructions included with the light. Take care to avoid any heat sources and sharp or abrasive surfaces.

Your installation is now complete.  
**Welcome to the Rigid Nation!**