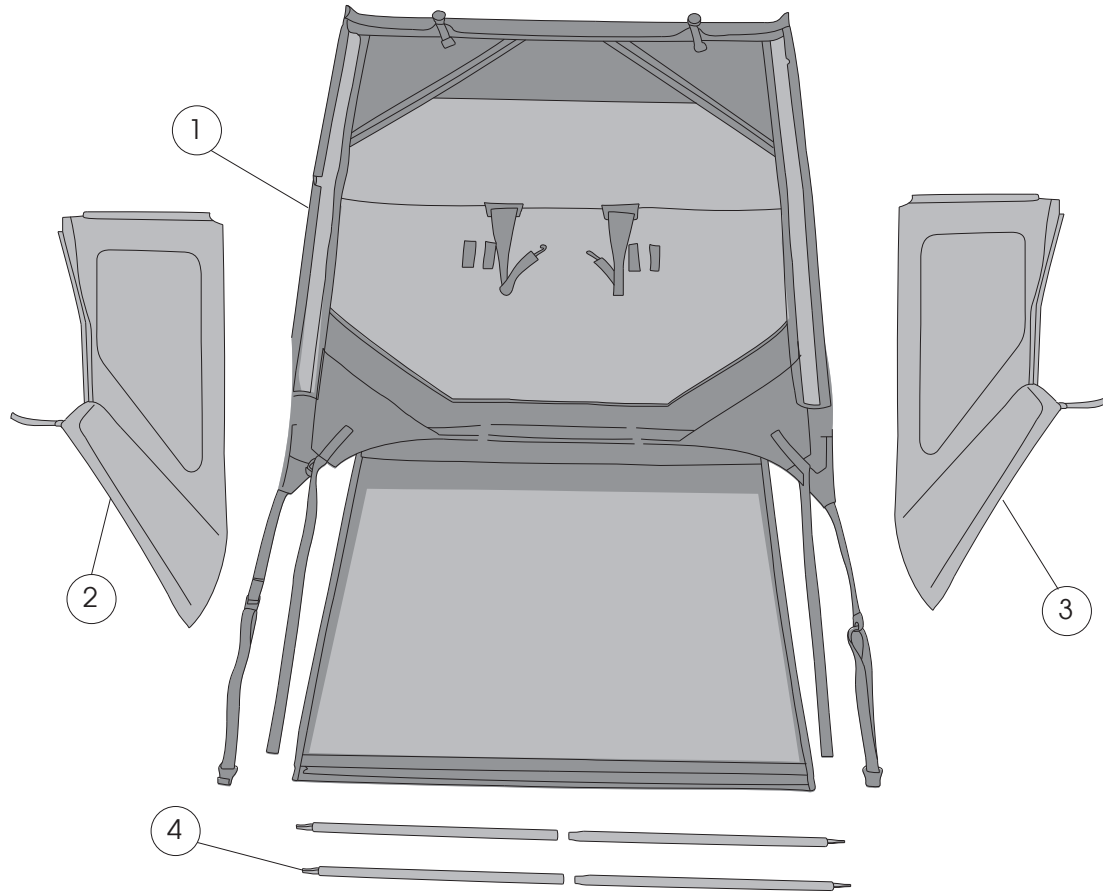




## Bowless Top, 2 Door JK



### NOTICE

Ensure windows are kept clean to avoid scratching. **DO NOT** wash windows with brush. Wash with clean, watered-down cloth or sponge and mild detergent. **DO NOT** clean windows while dry. Use caution while cleaning in low temperatures as windows become more susceptible to scratching and cracking. **DO NOT** roll up windows in low temperatures as this causes windows to stiffen and crack. Windows should be clean when rolled up.

### Supplied Components

|                       |     |                        |     |
|-----------------------|-----|------------------------|-----|
| 1. Bowless Top        | (1) | 3. Side Window - Right | (1) |
| 2. Side Window - Left | (1) | 4. Whisper Bar         | (4) |

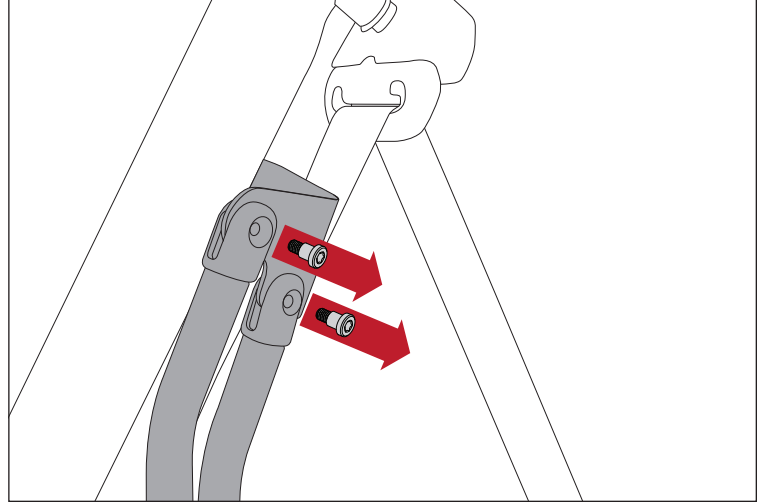
### Required Components

|   |                                    |
|---|------------------------------------|
| - Rugged Ridge Summer Top Header (13308.05) | - Door Surround, RH (5182822AE)    |
| - Tailgate Bar (55395757AC)                 | - Door Surround, LH (5182823AE)    |
| - Tailgate Retainer, RH (55395760AB)        | - Mounting Knob, Long (55397130AC) |
| - Tailgate Retainer, LH (55395761AB)        |                                    |

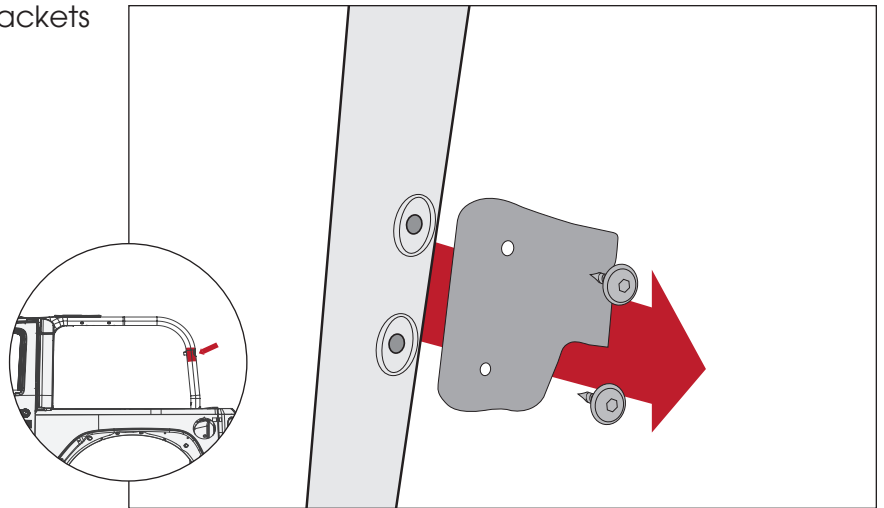
## Bowless Top, 2 Door JK

1. **SOFT TOP VEHICLE:** Refer to owner's manual for instructions on lowering factory top. Once open, unscrew shoulder bolts fastening top to sport bar.

**HARD TOP VEHICLE:** Refer to owner's manual for instruction on removing factory hard top.



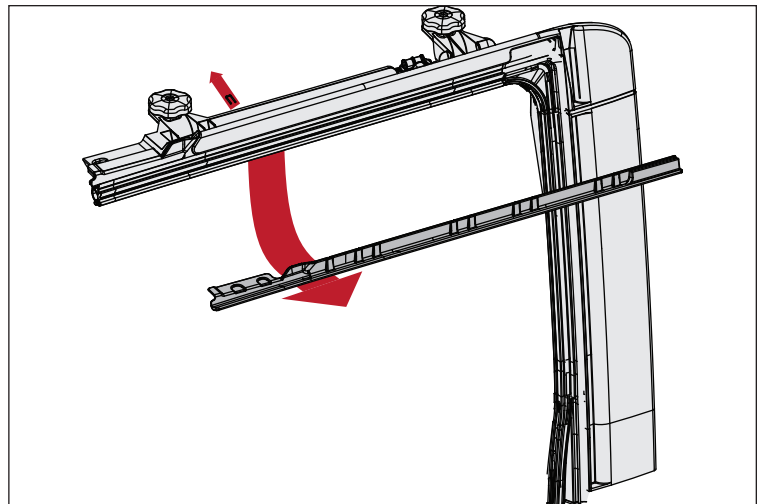
2. Remove metal soft top mounting brackets attached to roll bar in cargo area.



3. If applicable, install factory door surrounds.

### NOTICE

For 2010 - Current door surrounds, remove staples holding in outer extrusion and remove extrusion from surrounds.

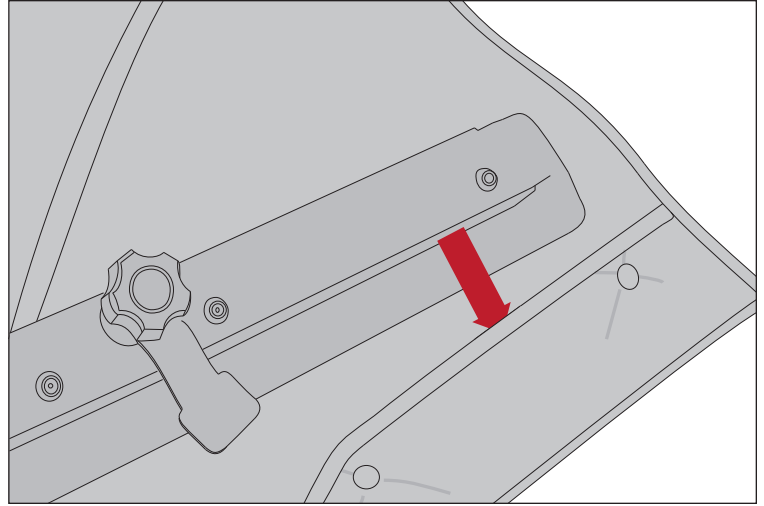


## Bowless Top, 2 Door JK

4. Attach bowless top to header by looping top over header channel and fastening with snaps on underside of header.

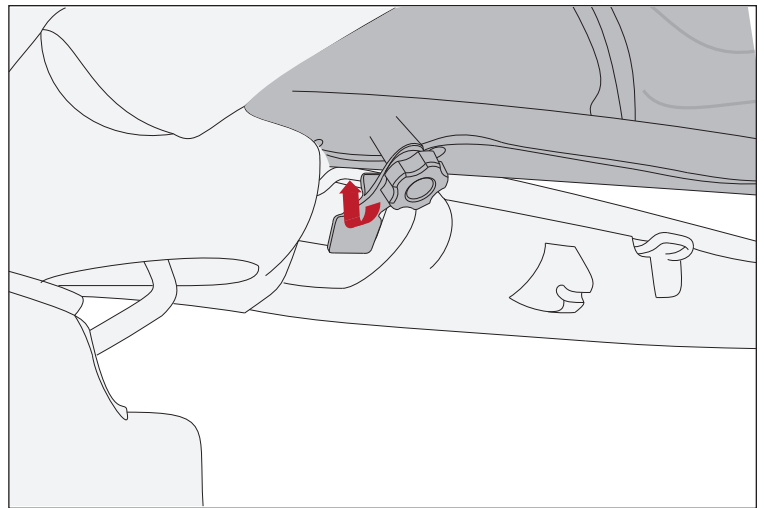
### NOTICE

Image shown using Rugged Ridge Windshield Header (13508.05 / 06)

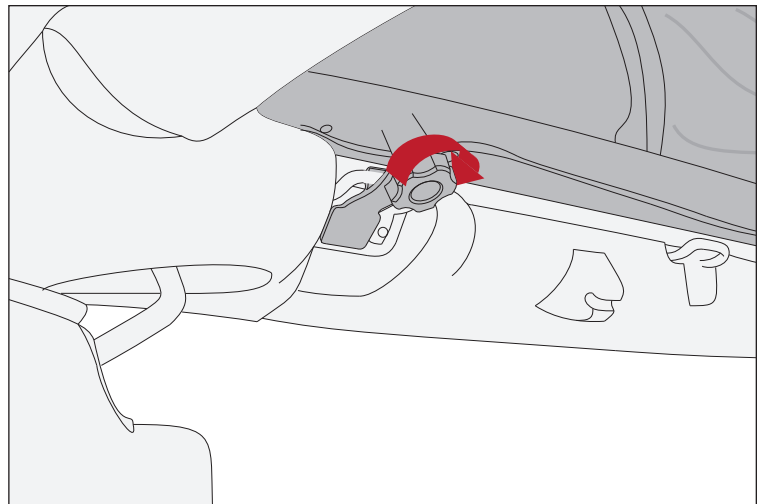


5. Slide bowless top to front of vehicle, placing it over sport bar.

6. Attach header tab to footman loop near windshield. Ensure assembly is centered on vehicle and J-hook is placed behind and through footman loop.

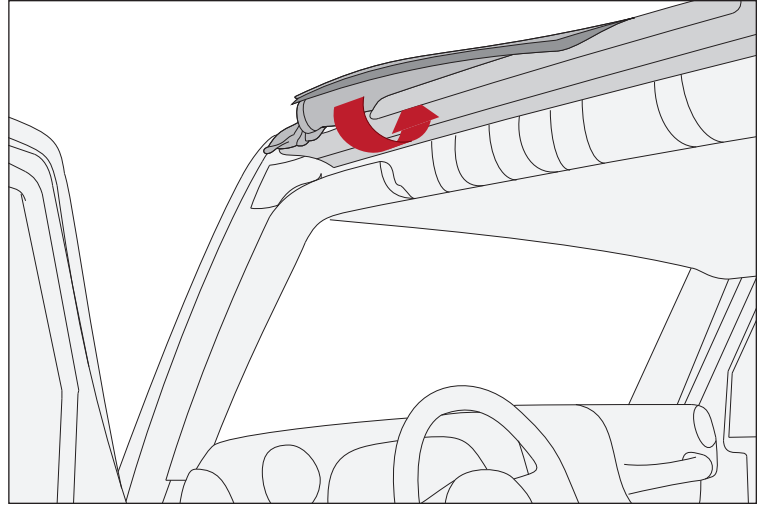


7. Ensure header is flush with windshield and screw plastic knob into header on each side of vehicle.



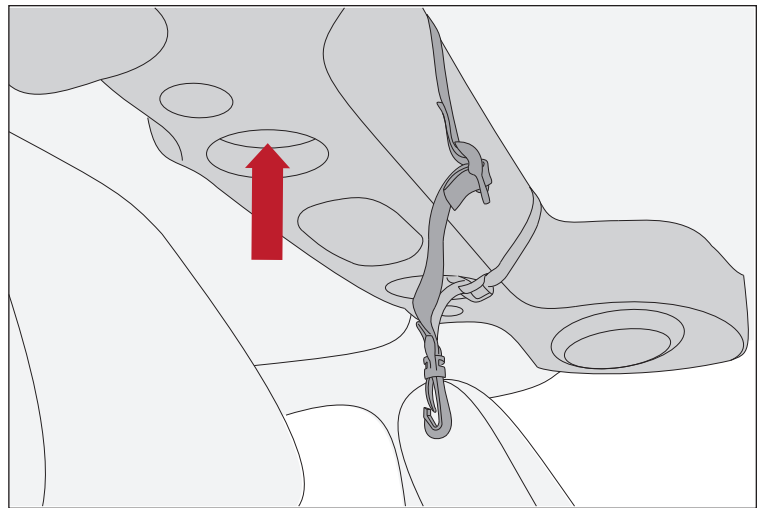
## Bowless Top, 2 Door JK

8. Hook side plastic retainer over door surround and hook into groove over front door. Repeat for opposite side.

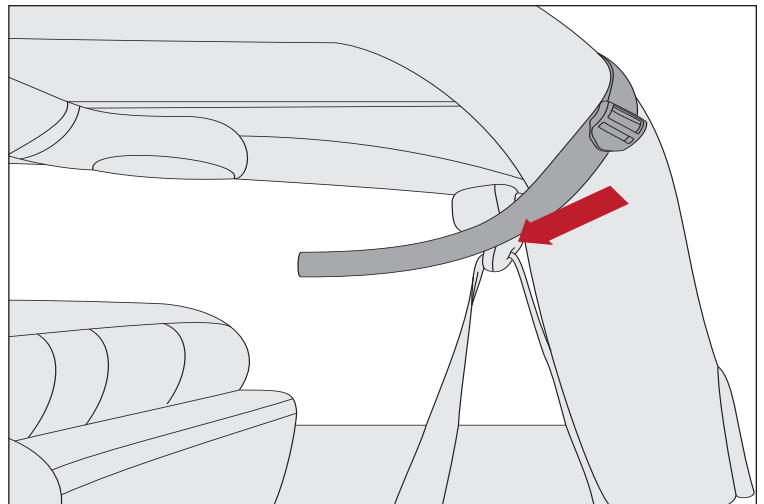


9. Pull two center straps on inside of vehicle around sport bar.

10. Hook clip at end of strap to lip of circular cutout in sport bar and tighten straps.



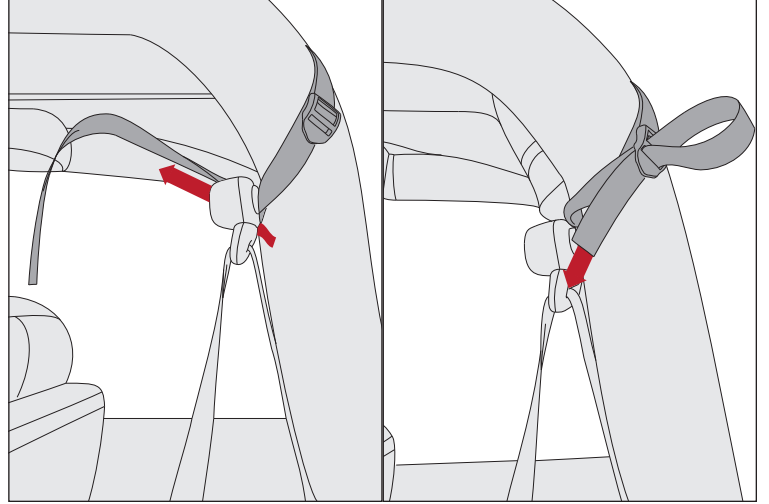
11. Loop rear side strap around rear sport bar, moving toward outside of vehicle.



## Bowless Top, 2 Door JK

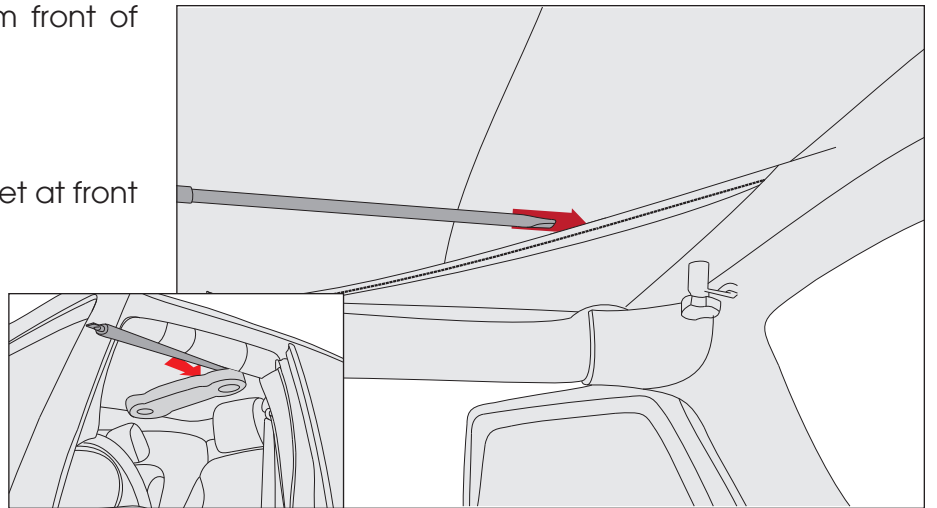
12. Loop strap under seatbelt stud, then back around to outside of vehicle.

13. Loop strap through plastic buckle and pull strap to tighten. Repeat for opposite side.

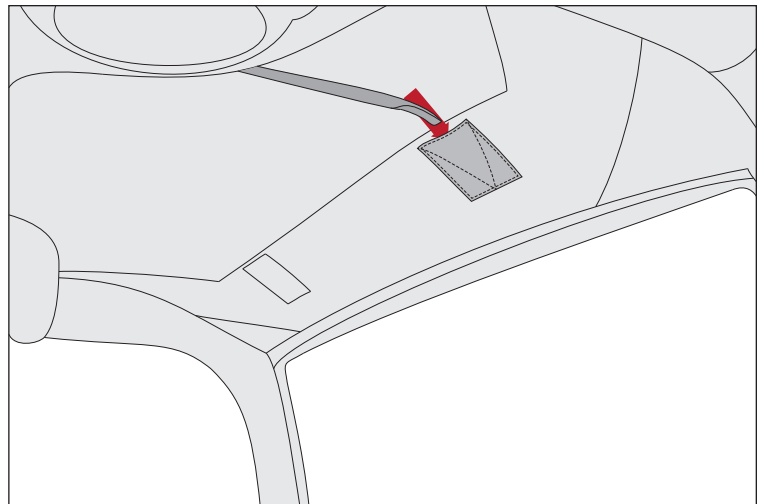


14. Install whisper bar by first inserting from front of vehicle over center sport bar.

15. Hook front end of whisper bar into pocket at front of vehicle.



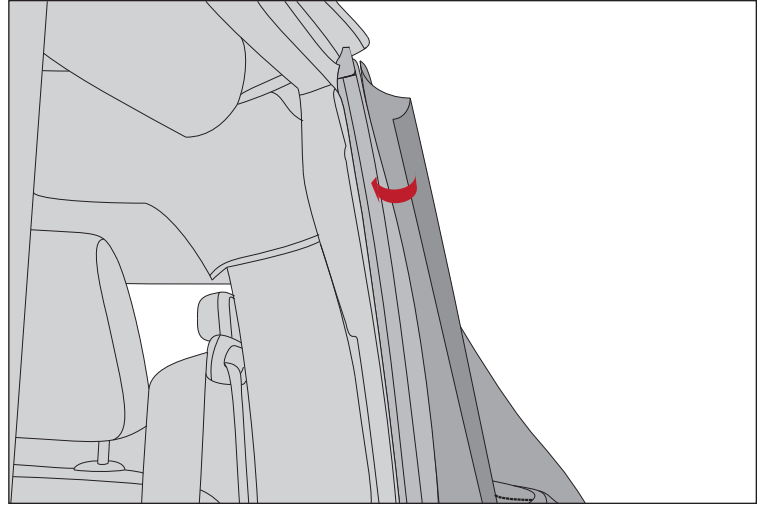
16. Hook back end of whisper bar into rear pocket of bowless top. Repeat steps 14 -16 for opposite side.



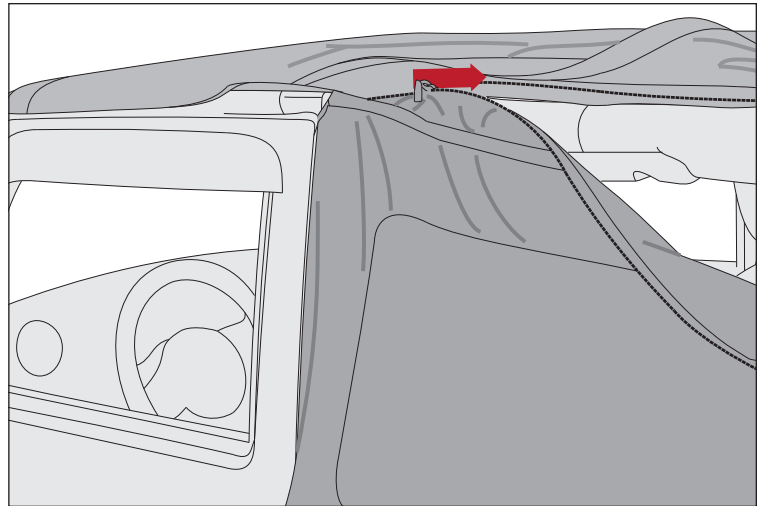
## Bowless Top, 2 Door JK

### TO INSTALL WINDOWS:

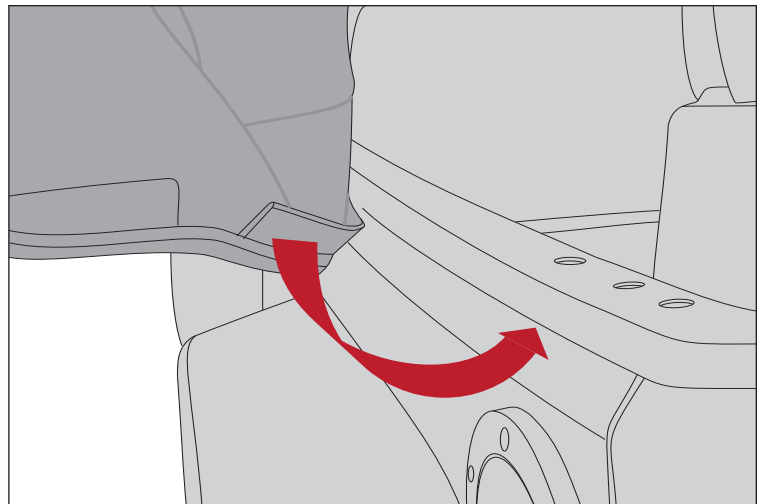
17. Pull side plastic retainer of side window around door surround and hook into frontmost groove.



18. Zip top side window zipper.

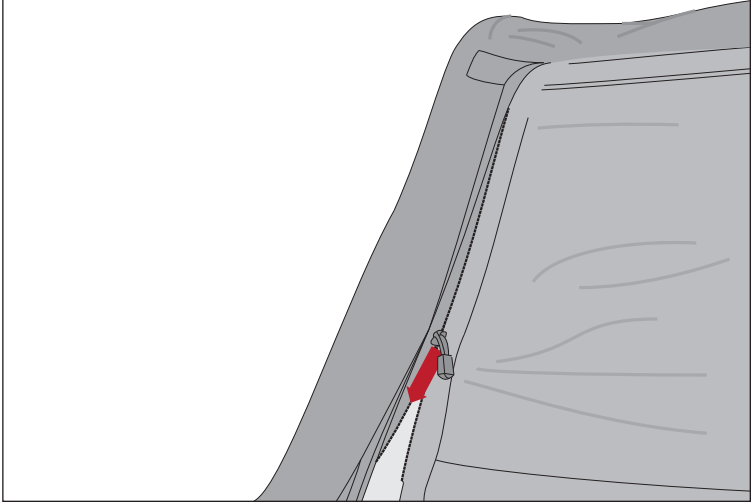


19. Pull bottom plastic retainer of side window into side groove of body tub. Repeat step 17 - 19 for opposite side.

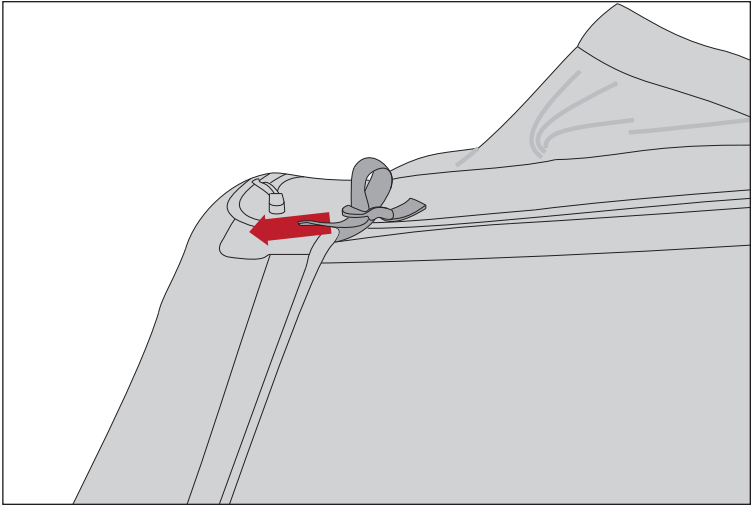


## Bowless Top, 2 Door JK

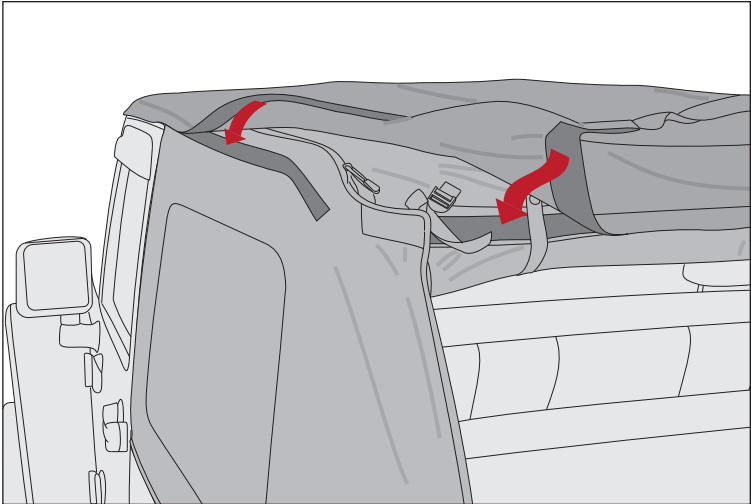
20. Zip rear window to top and side windows in rear of vehicle.



21. Loop top corner strap through plastic holder at rear corner of vehicle. Tighten strap and repeat for opposite side.

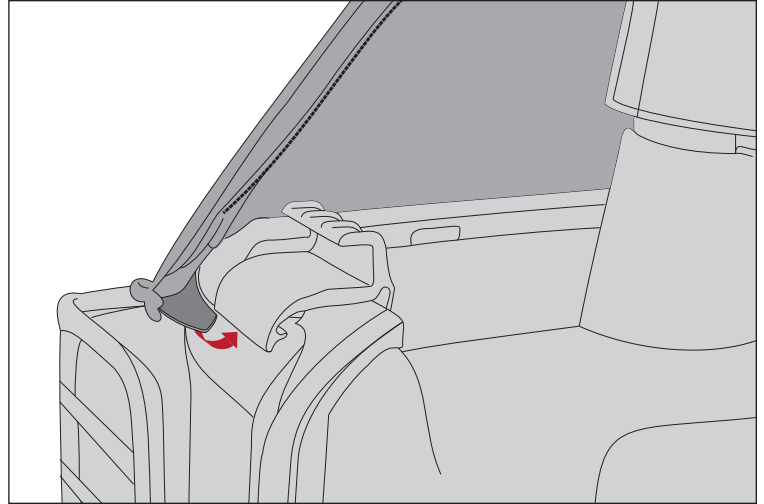


22. Fasten all Velcro around side and rear windows.

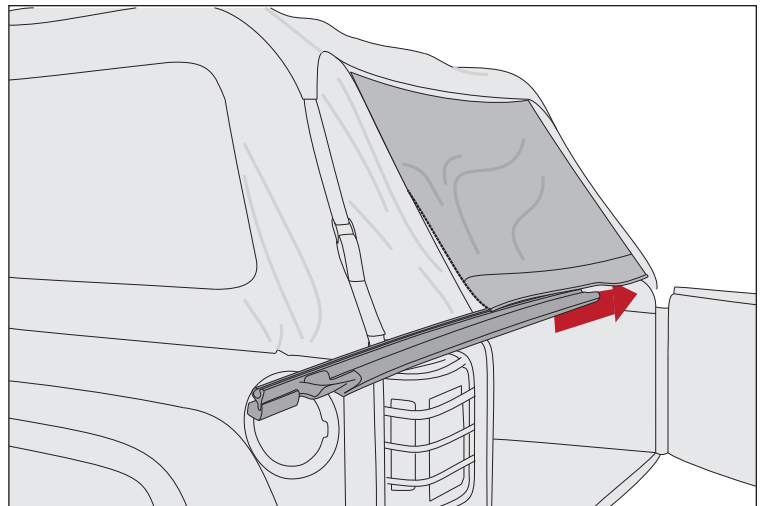


## Bowless Top, 2 Door JK

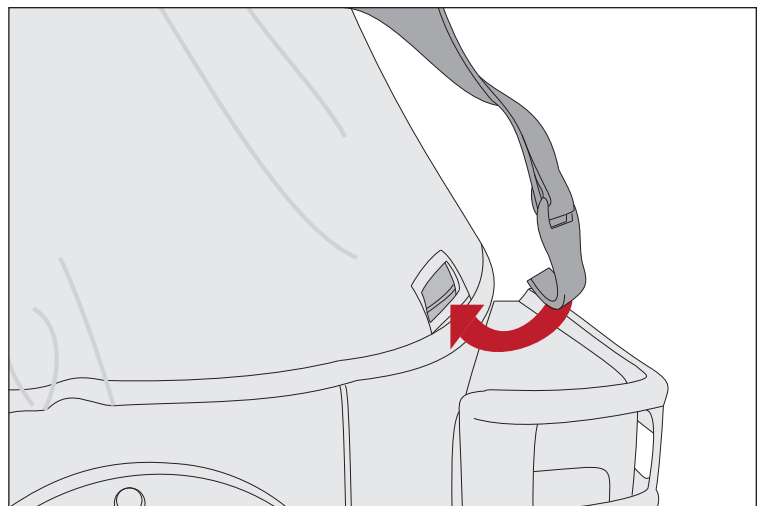
23. Insert remaining side window plastic retainers into groove of body tub. Repeat for opposite side.



24. Slide tailgate bar into bottom of rear window and attach to receiver on tailgate.



25. Install metal hook on end of rear straps into body tub through cutout in rear panel and tighten. Repeat for opposite side.



## Bowless Top, 2 Door JK

27. If desired, rear window can be rolled upwards, secured with two rear straps, and fastened to top with snaps located under top flap.

