



MGQD

MAGICGRIP™ DASH

SENSE AND GRIP WIRELESS CHARGING MOUNT

READ INSTRUCTIONS COMPLETELY BEFORE INSTALLING THIS MOUNT KIT.

WARNING: Use caution whenever removing or handling plastic parts of any vehicle. Unnecessary force or pressure can cause pieces to crack or break. Please use a plastic card to remove the metal plates. Remove adhesive residue with a non-abrasive cleaner.

AIRBAG WARNING: Do not place this pad, or any other object, on or near the airbag. In the event of deployment, objects placed on or near airbag could cause serious injury.

PARTS INCLUDED

- (1) Wireless charging mount with motorized support arms
- (1) Dash mount with dual 360° rotation
- (1) Car power adapter
- (1) USB-C charge cable
- (2) Wire clips
- (1) Cleaning wipe

1. MAGICGRIP™ CHARGING MOUNT

1a. SENSE AND GRIP MOTORIZED SUPPORT ARMS

1b. Qi WIRELESS CHARGING AREA

1c. LED INDICATOR

1d. AMBIENT LIGHT SENSOR

1e. CHARGING MOUNT BALL JOINT

(allows angle adjustment and 360° rotation of mounted device)

1f. POWER ADAPTER PORT

2. DASH MOUNT

2a. INTEGRATED CABLE MANAGEMENT HOOK

2b. ADHESIVE MOUNTING PLATE

2c. FLEX TABS (for curved surfaces)

Note: Carefully pre-bend the tabs 1-2 times before applying to the curved surface.

2d. MOUNTING ARM WITH DUAL 360° ROTATION

3. USB-C CABLE

4. 12V CAR POWER ADAPTER

(Only use provided adapter with **MAGICGRIP™**)

5. WIRE CLIPS (for power adapter cable - **2 included**)

SPECIFICATIONS:

MAGICGRIP™

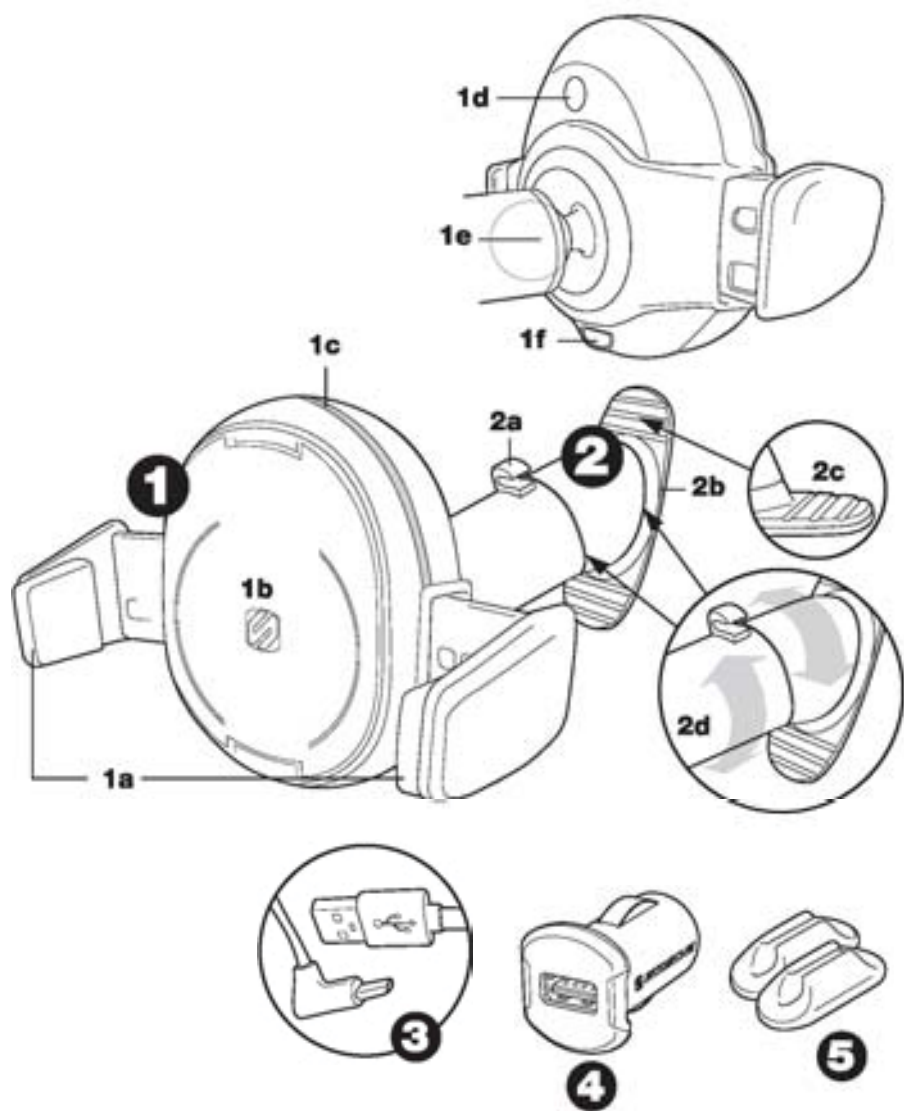
Input: 5VDC --- 2A, 9VDC --- 1.67A

Output: 10W Max.

12V Power Adapter

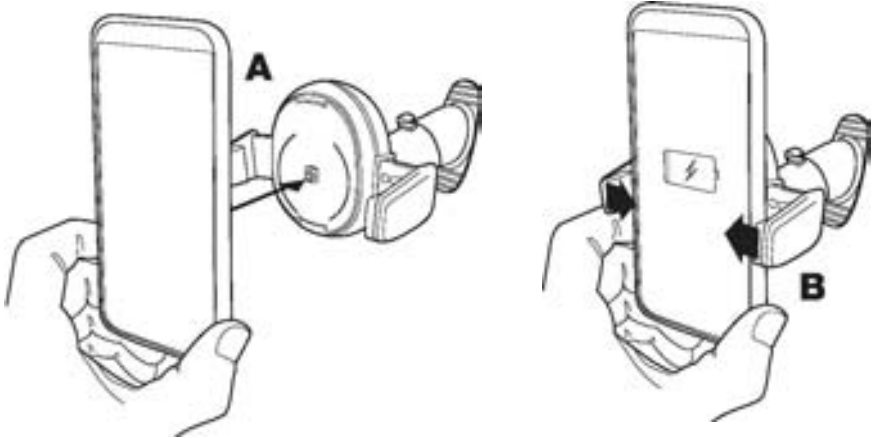
Input: 12V

Output: 3.6–6.5VDC --- 3A, 6.5–9VDC --- 2A, 9–12VDC --- 1.5A



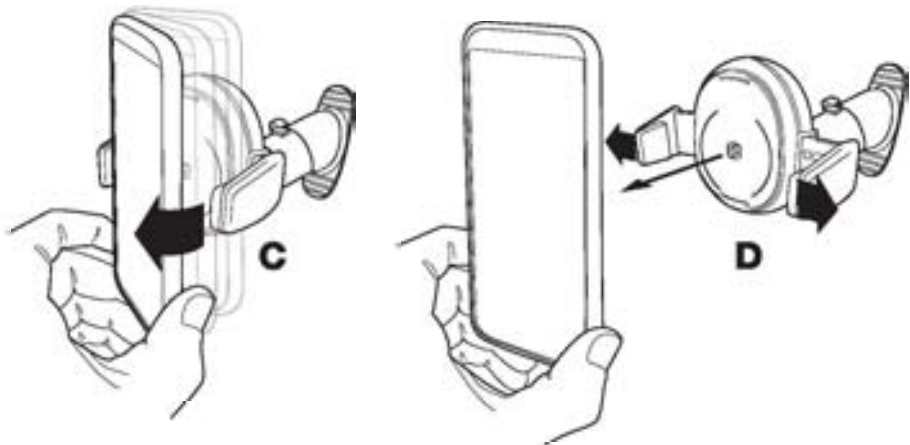
MAGICGRIP™ “SENSE AND GRIP”

Place your device against the charging pad as shown (A). When the charging areas on the device and **MAGICGRIP™** are aligned, the support arms will sense contact and close automatically (B).



To remove the device, gently pivot the device away from the charging pad (C). **MAGICGRIP™** will sense when contact with the charging pad is broken, and the support arms will open automatically (D).

Note: Support arms will only open when no device is detected.





MAGICGRIP™ TRANSMITTER PLACEMENT IN VEHICLES

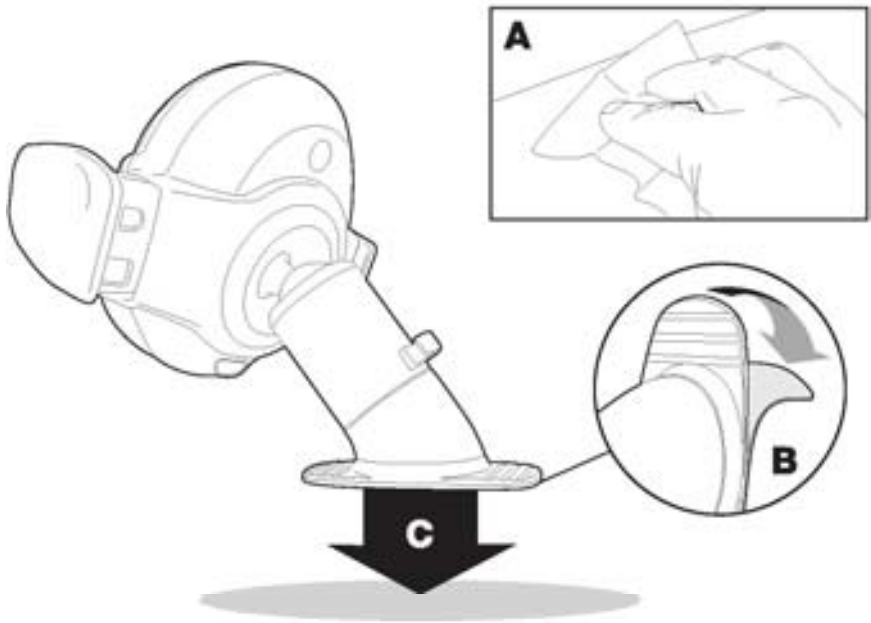
It is possible for the transmitter to interfere with some wireless systems within a car. Specifically, key fobs with immobilizers, keyless start systems or tire pressure monitors. Therefore, it is recommended to test the location of your transmitter before deciding on final placement.

Most interference issues will be minimized by considering the following placement guidelines:

- Install transmitter a minimum of 10 inches away from the ignition lock, key fob docking station, or any location where the key fob might be stored while driving.

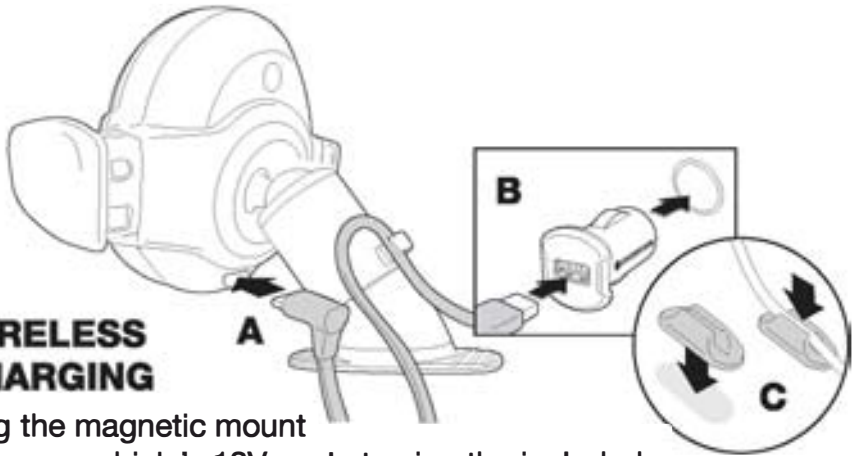
If the transmitter cannot be located a sufficient distance away as described above, please use the following suggestions whenever possible:

- Insert the key fob into the docking slot whenever possible while operating the transmitter.
- Connect the transmitter to a 12 volt accessory port that is powered only while the vehicle's ignition is in the "ACC" or "ON" position.
- Place phone on transmitter after vehicle is started.



DASH MOUNT

1. Clean the dash surface with supplied cleaning wipe (A).
Note: Wipe may cause discoloration of certain plastics, vinyls and painted surfaces. It is recommended to test in an inconspicuous area first.
2. Peel the adhesive backing from the bottom of the mounting base (B), and place in position (C). Apply firm pressure.



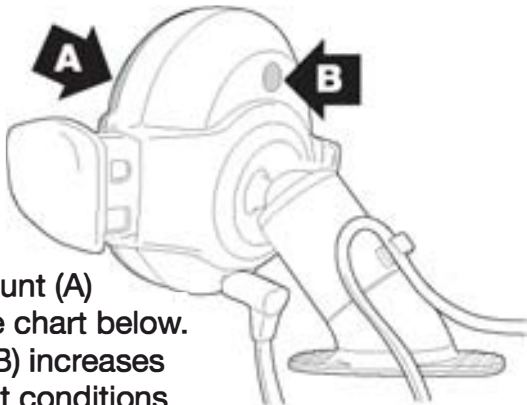
WIRELESS CHARGING

Plug the magnetic mount into your vehicle's 12V socket using the included USB-C cable and 12V power adapter as shown (A & B).

Optional: Attach the included adhesive clips (C) to the dash or console to secure the cable.

LED INDICATOR & AMBIENT LIGHT SENSOR

The LED indicator band around the edge of the mount (A) illuminates as shown in the chart below. The ambient light sensor (B) increases the LED's intensity in bright conditions and decreases the LED's intensity in low light conditions.



STATUS	LED
Power On	Illuminates RED, PURPLE & BLUE
Standby	OFF
Charging	BLUE
Protection Mode	Blinking RED