



# HOW 2 DIAGRAM

**Engine type:** Gasoline 2-stroke direct injection

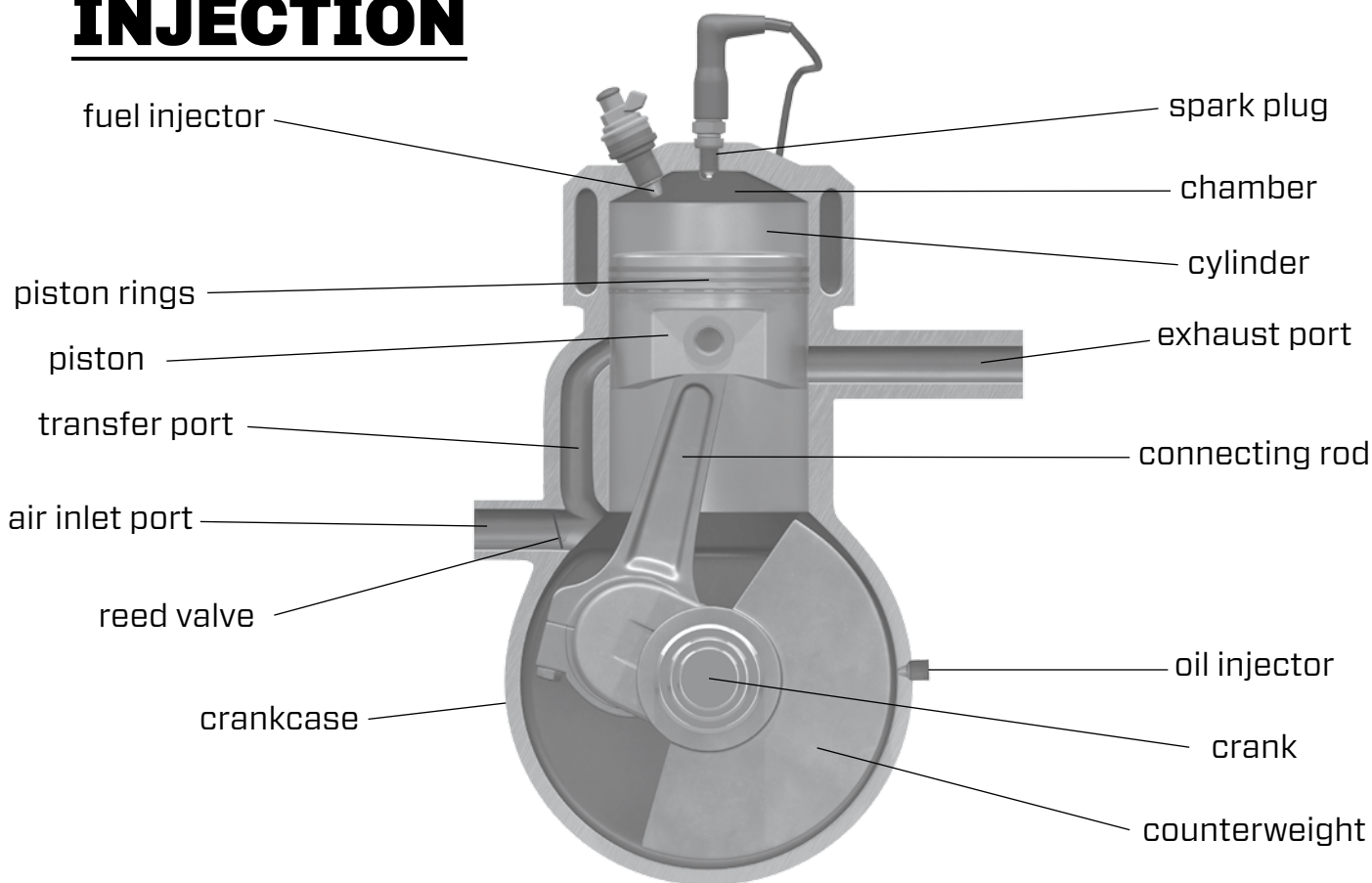
**Examples:** modern 2-stroke gasoline fuel injection engines

**Product(s) for application:** Sea Foam Motor Treatment, Sea Foam Spray

**Part number(s):** SF16, SS14



## ENGINE CYLINDER CUTAWAY – GASOLINE 2-STROKE DIRECT INJECTION



**BEFORE A COSTLY FUEL SYSTEM PROBLEM:** Adding Sea Foam Motor Treatment to fuel tanks works through the entire fuel system to clean and lubricate fuel injector passageways, upper cylinders and combustion chambers. Sea Foam Spray works to deliver a high concentration of petroleum cleaning solvency through the throttle body to clean and lubricate intake and chamber areas.



### Treatments and recommendations for Gasoline 2-stroke direct injection fuel systems:

- Use Sea Foam Motor Treatment in fuel to dissolve petroleum residues and deposits, clean and lubricate upper cylinders and chambers
- For stabilizing fuel and maintaining clean injection systems, add Sea Foam to every tank of fuel
- When storing 2-stroke engines, use Sea Foam Spray to fog intakes and lubricate cylinder cavities