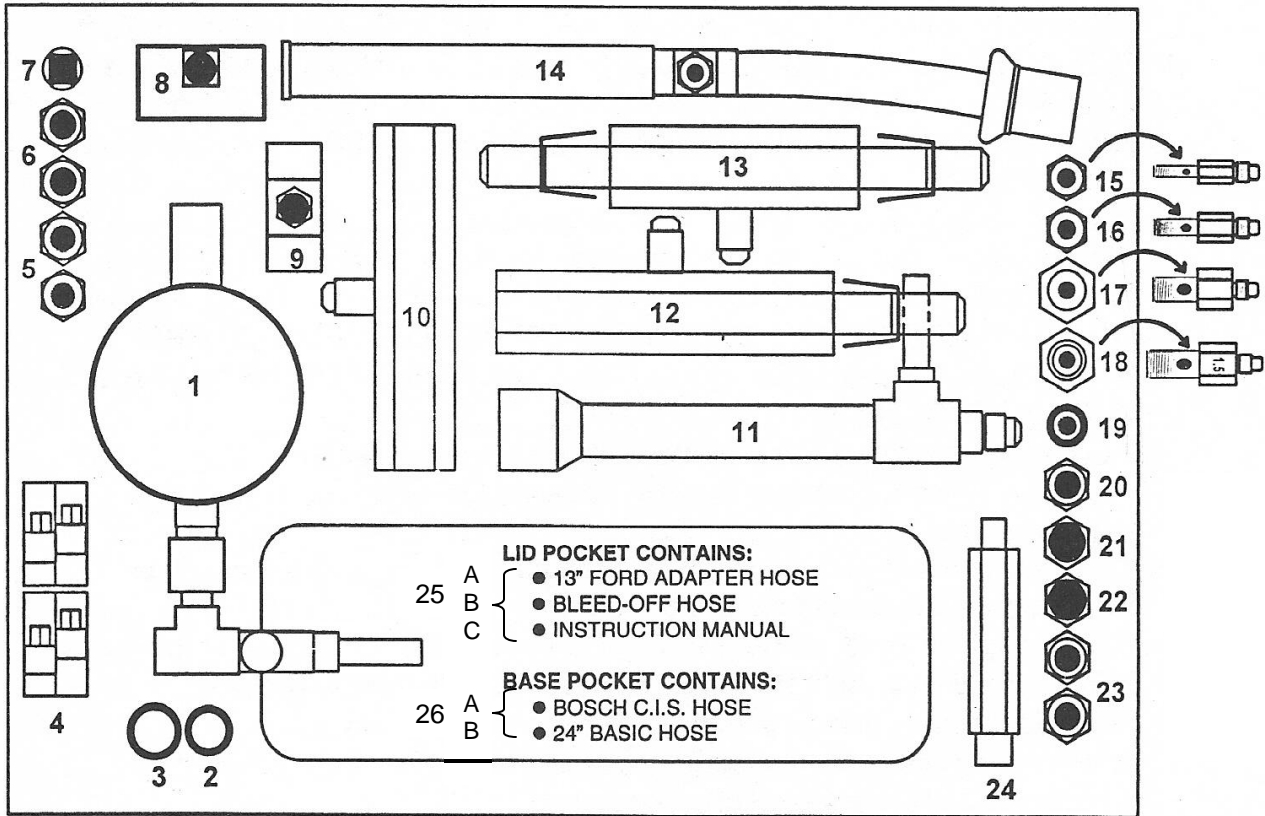


CAT. NO. 38000

PARTS BREAKDOWN



LIFT OUT TRAY CONTAINS

1	33907	0-100 PSI (0-7BAR) Gage	13	37670	GM Quick Connect Fuel Inj. Pressure Adapter
2	33911	1/4" Hose	14	37230	Ford Spring Lock Adapter
3	33912	5/16" Hose	15	37375	8mm-1.00 Banjo Bolt Adapter
4	33913	Hose Clamps (4 Pcs.)	16	37373	10mm-1.00 Banjo Bolt Adapter
5	33909	1/4" x 1/4" NPT Male Hose Barb (2 Pcs.)	17	37371	12mm-1.25 Banjo Bolt Adapter
6	33910	5/16" x 1/4" NPT Male Hose Barb (2 Pcs.)	18	37377	12mm-1.50 Banjo Bolt Adapter
7	36120	1/4" NPT Pipe Plug	19	37200	Honda Adapter
8	33966	0-50 PSI (0-3.5 BAR) Gage	20	33819	12mm-1.50 Male x 10mm-1.00 Male x 1 9/16"
9	36128	1/4" NPT Tee with Valve	21	33822	12mm-1.50 Male x 10mm-1.00 Female x 1 1/4"
10	37650	GM T.B.I. Adapter	22	33816	12mm-1.50 Male x 8mm-1.00 Female x 15/16"
11	37260	Ford Hair Pin Adapter	23	33815	12mm-1.50 Male x 8mm-1.00 Male x 15/16"
12	37660	GM 2.2L Adapter	24	33821	12mm-1.50 Male x 8mm-1.00 Male x 3"

LID POCKET CONTAINS

25A	33850	13" Ford Adapter Hose	25C	38010	Instruction Manual
25B	36206	Bleed-Off Hose			

BASE POCKET CONTAINS

26A	33836	Bosch C.I.S. Hose Assembly	26B	33916	24" Basic Hose
-----	-------	----------------------------	-----	-------	----------------