



NA 4912 Needle roller bearings with machined rings, with an inner ring

Needle roller bearings with machined rings, with an inner ring

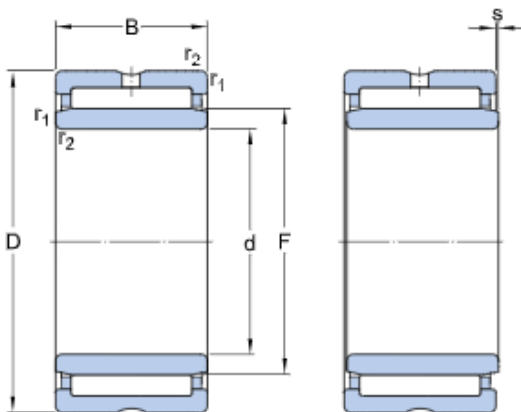
Bearing data

Tolerances, Normal, P6, P5, Radial internal clearance, table

Design considerations

Shaft and housing tolerances, shaft, housing

Technical specification

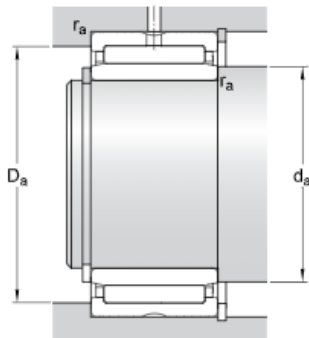


DIMENSIONS

d	60 mm
D	85 mm
B	25 mm
F	68 mm
$r_{1,2}$	min. 1 mm
s	max. 1.5 mm

ABUTMENT DIMENSIONS

d_a	min. 65 mm
D_a	max. 80 mm
r_a	max. 1 mm



CALCULATION DATA

Basic dynamic load rating	C	60.5 kN
Basic static load rating	C ₀	114 kN
Fatigue load limit	P _u	14.3 kN
Reference speed		6 000 r/min
Limiting speed		6 700 r/min

MASS

Mass bearing	0.43 kg
--------------	---------

More information

Product details	Engineering information	Tools
Designs and variants	Principles of rolling bearing selection	SimPro Quick
Bearing data	General bearing knowledge	Bearing Select
Loads	Bearing selection process	Engineering Calculator
Temperature limits	Bearing failure and how to prevent it	LubeSelect for SKF greases
Permissible speed		Heater Selection Tool
Design considerations		
Designation system		