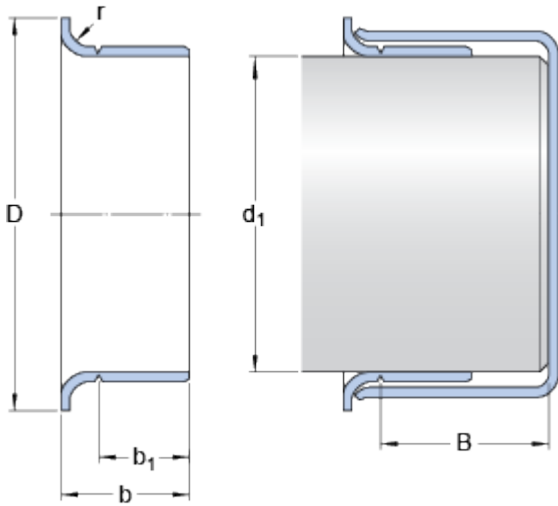


99364

Dimensions



Shaft diameter range

d_1 min. 94.996 mm

d_1 max. 95.174 mm

Nominal dimensions

d_1 95.072 mm

D 102.489 mm

\pm 1.6 mm

b 15.088 mm

\pm 0.8 mm

b_1 11.913 mm

\pm 0.8 mm

B max. 45.72 mm

r max. 3.18 mm