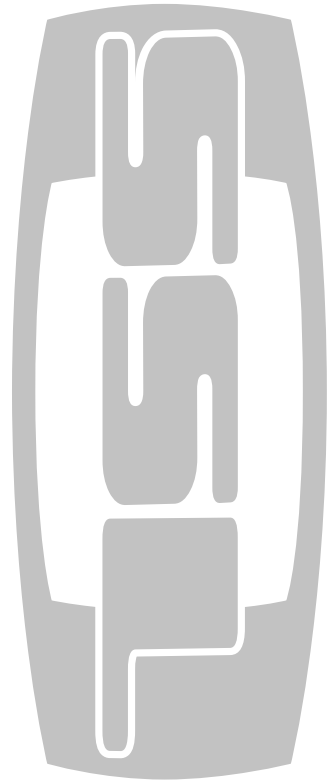
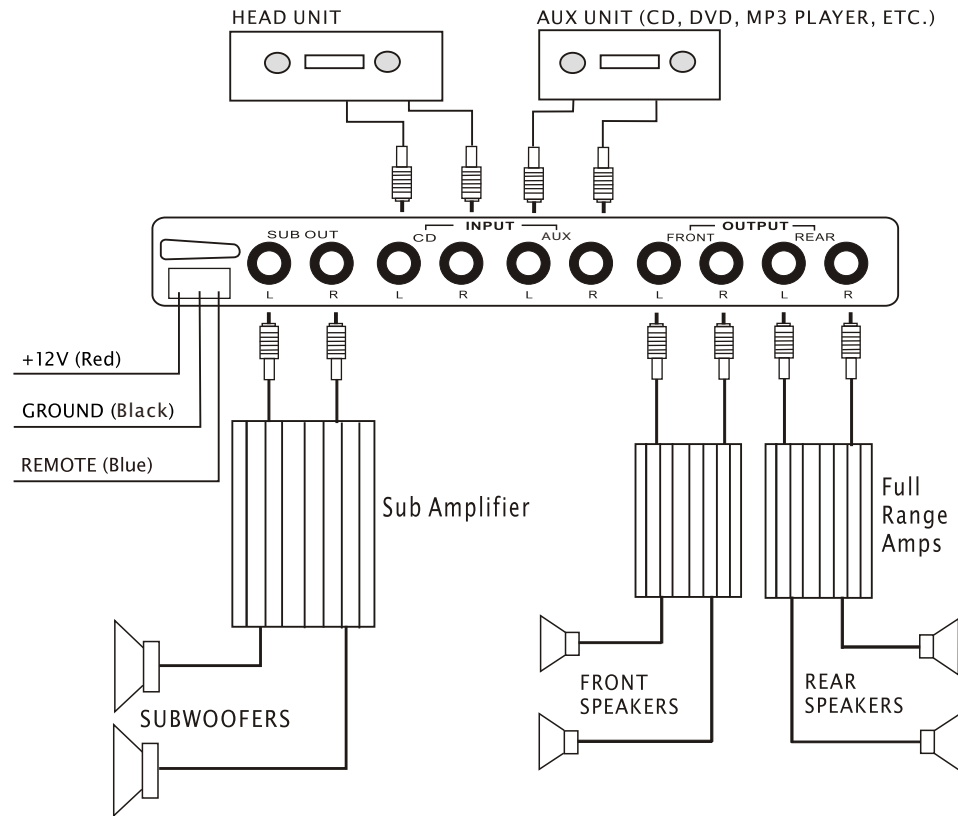


Introduction

Congratulations on your purchase of a SOUND STORM Laboratories Equalizer. This product has been designed and built to deliver excellent sound quality and long lasting high performance. We are sure you'll enjoy listening to your favorite music with this SSL component in your car audio system. For best results please consult a professional installer for application advice or trouble shooting. Thank you for choosing SOUND STORM Laboratories products for your mobile audio system.



Electrical Installation



NOTES:

Set your source volume at a position between 6 o'clock and 9 o'clock and leave it at this setting.

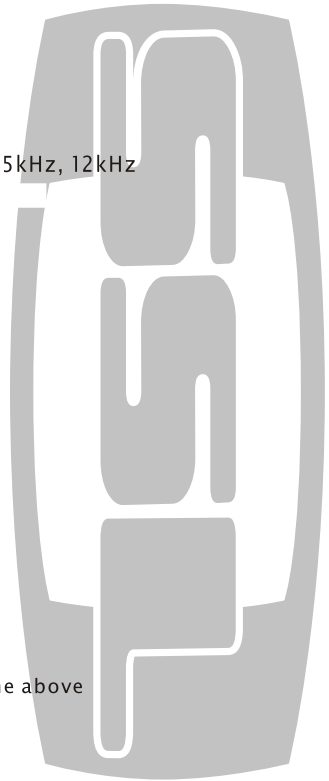
Always use the SQ4 volume control as a master main volume control. It has better electronics, higher S/N ratio and is more linear than any source unit volume control available.

If engine noise is audible, check the ground connection on all units in the audio system.

Specifications

Frequency Bands	Front Channel: 125Hz, 500Hz, 3.5kHz, 12kHz
Boost / Cut	+/-18dB
Signal-To-Noise Ratio	110dB Ref 1V Input
Frequency Response	10Hz-15KHz, +/-1dB
Maximum Output Voltage	8V Rms
Total Harmonic Distortion	0.05%
Input Sensitivity	150mV
Headroom	20dB
Input Impedance	10K Ohms
Stereo Separation	82dB /1KHz
Operating Voltage	11-15V Negative Ground
Output Impedance	50K Ohms
Size (HxWxD)	1 " x 7 " x 4-9/16 "
	27.5mm X 178mm X 115mm

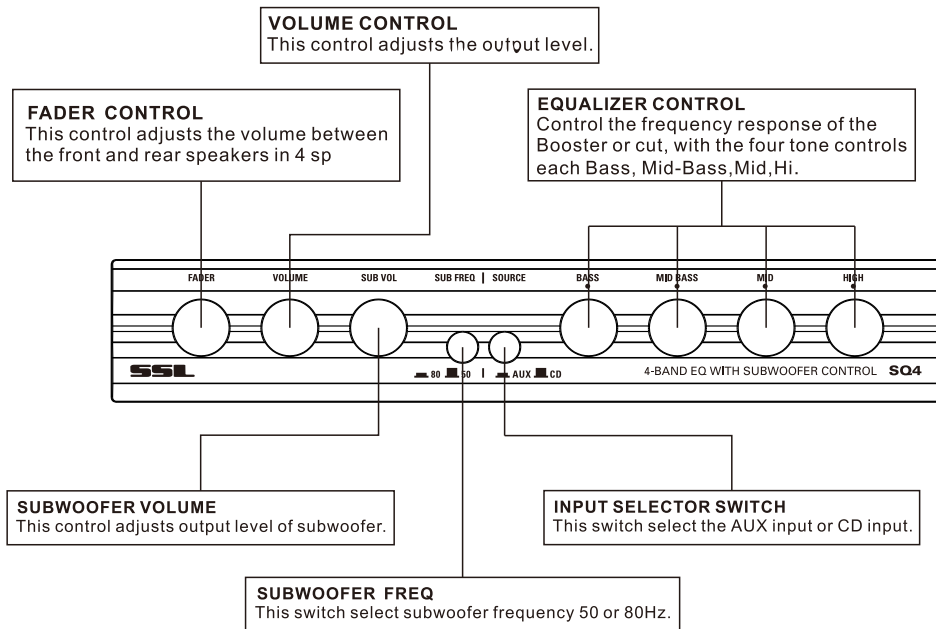
★ Due to our continuing efforts towards products improvement, the above specifications are subject to change without notice.



Features

- Volume control with up to 8 volts RMS of output
- Four band equalizer with 18dB Boost/Cut
- Specific bandwidth for each band
- Low noise BI-FET op-amp design yields minimum distortion
- On-board 30V bi-polar switching power supply
- Subwoofer outputs and level controls
- Subwoofer frequency selection switch (50Hz/80Hz)
- Input selector for AUX or CD
- Universal half-DIN chassis for ease of installation
- Chrome plated RCA input & output connectors
- 20dB headroom eliminates signal overload
- Blue illumination

Front Panel Controls



Input Description

- Power** : After connecting the ground, remote and power wires.
- CD Input** : Chrome plated RCA inputs. Plug in the RCA cables from the CD Source unit here.
- AUX Input** : Chrome plated RCA inputs. Plug in the RCA cables from the AUX source unit here.
- Rear Output** : Chrome plated RCA outputs. Plug in to your rear channel amplifier here.
- Front Output** : Chrome plated RCA outputs. Plug in to your front channel amplifier here.
- Subwoofer Output** : Chrome plated RCA outputs. Plug in the RCA cables to your subwoofer amplifier here.

