



Features

- > LED 'hide away' insert elevates safety lighting with interchangeable lenses that tailor the light output to complement your mounting application
- > 2 additional lenses available for customized light output
- > Retrofits with existing 1" strobe tube cutouts in headlight, taillight or corner lights in all types of commercial vehicles
- > Optional cruise mode reduces light output to 20% brightness
- > Use with optional bezels to surface mount to any flat area on the vehicle body for additional lighting anywhere

LED Inserts



Screw-In LED Inserts

10' Cable Length, 10-16 Vdc

#ELUC2SØ1Ø(x)

10' Cable Length, 10-30 Vdc

#ELUC2HØ1Ø(x)

Includes extreme angle lens, inline flasher and cable for hardwire installation

10' Cable Length with Quick Connect

#ELUCCSØ1Ø(x)

25' Cable Length

#ELUC2SØ25(x)

Replace (x) n the Order Number for Color Selection

Solid Colors: A = ■ B = ■ G = ■ R = ■ W = □
 Dual/Split Colors: D = ■ □ E = ■ □ F = ■ □ H = ■ □ J = ■ ■ K = ■ ■ L = ■ ■ M = ■ ■ N = ■ ■ P = ■ ■

Technical Specifications

FLASH PATTERNS	33 flash patterns
LIGHT SYNC	4
LED COUNT	6 LEDs
INPUT VOLTAGE	10-16 Vdc or 10-30 Vdc
CURRENT DRAW	< 1.0 Amp (flash pattern dependent) @ 12.8 Vdc
OPERATING TEMPERATURE	-40° C to +65° C
DIMENSIONS	Insert: 1.5" (3.8 cm) Diameter x 0.9" (2.3 cm) H Bezel: 2.2" (5.6 cm) L x 1.65" (4.2 cm) H x 0.63" (1.6 cm) D
MOUNTING	Headlight/Taillight mount into 1" Diameter cutouts Screw-In Surface mount with optional bezel Bezel mounts on 1.89" (4.8 cm) centers Twist-In or Push-In options are also available
CERTIFICATIONS	EMC, ECE R10 (10-16 Vdc only)
WARRANTY	Five-year



LED Inserts

[continued]

ACCESSORIES Light not included.

bezels

- a. White
- b. Black
- c. Chrome

Includes mounting gasket and hardware

#PLUC2HSW
#PLUC2HSB
#PLUC2HSC



additional lens

- a. Extreme Angle
- b. Horizontal
- c. Vertical

#PLUC2LN1E
#PLUC2LN1H
#PLUC2LN1V



kits

- Push-In
- Twist-In

#PLUCPGR1
#PLUCTCL1



Features

- > LED 'hide away' insert elevates safety lighting with interchangeable lenses that tailor the light output to complement your mounting application
- > 2 additional lenses available for customized light output
- > Retrofits with existing 1" strobe tube cutouts in headlight, taillight or corner lights in all types of commercial vehicles
- > Optional cruise mode reduces light output to 20% brightness
- > Use with optional bezels to surface mount to any flat area on the vehicle body for additional lighting anywhere

LED Inserts



Screw-In LED Inserts

10' Cable Length, 10-16 Vdc

#ELUC2S010(x)

10' Cable Length, 10-30 Vdc

#ELUC2H010(x)

Includes extreme angle lens, inline flasher and cable for hardwire installation

10' Cable Length with Quick Connect

#ELUCCS010(x)

25' Cable Length

#ELUC2S025(x)

Replace (x) n the Order Number for Color Selection

Solid Colors: A = ■ B = ■ G = ■ R = ■ W = □
 Dual/Spill Colors: D = ■ □ E = ■ □ F = ■ □ H = ■ □ J = ■ ■ K = ■ ■ L = ■ ■ M = ■ ■ N = ■ ■ P = ■ ■

Technical Specifications

FLASH PATTERNS	33 flash patterns
LIGHT SYNC	4
LED COUNT	6 LEDs
INPUT VOLTAGE	10-16 Vdc or 10-30 Vdc
CURRENT DRAW	< 1.0 Amp (flash pattern dependent) @ 12.8 Vdc
OPERATING TEMPERATURE	-40° C to +65° C
DIMENSIONS	Insert: 1.5" (3.8 cm) Diameter x 0.9" (2.3 cm) H Bezel: 2.2" (5.6 cm) L x 1.65" (4.2 cm) H x 0.63" (1.6 cm) D
MOUNTING	Headlight/Taillight mount into 1" Diameter cutouts Screw-In Surface mount with optional bezel Bezel mounts on 1.89" (4.8 cm) centers Twist-In or Push-In options are also available
CERTIFICATIONS	EMC, ECE R10 (10-16 Vdc only)
WARRANTY	Five-year



LED Inserts

[continued]

ACCESSORIES Light not included.

bezels

- a. White
- b. Black
- c. Chrome

Includes mounting gasket and hardware

#PLUC2HSW
#PLUC2HSB
#PLUC2HSC



additional lens

- a. Extreme Angle
- b. Horizontal
- c. Vertical

#PLUC2LN1E
#PLUC2LN1H
#PLUC2LN1V



kits

- Push-In
- Twist-In

#PLUCPGR1
#PLUCTCL1

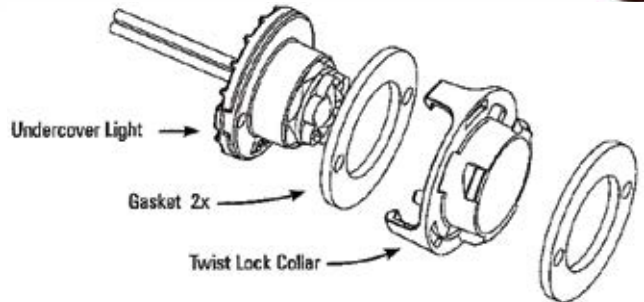
UnderCover™ Twist-In LED Insert: Ford Interceptor Utility and Ford Sedan

This easy to install undercover light mounts inside front corner, taillight or backup light housings to provide supplemental forward or rear facing illumination. It's high-output 6 LEDs make this light extremely recognizable when activated while its minimal size makes it unnoticeable when turned off.



UnderCover™ Twist-In LED Insert: Ford Interceptor Utility
10-16 Vdc, 10' Cable Length #ELUCTSØ1Ø(x)

Includes extreme angle lens, in-line flasher and collar kit for the FORD PI Utility



Features

- LED 'hide away' insert elevates safety lighting with interchangeable lenses that tailor the light output to complement your mounting application
- 2 additional lenses available for customized light output
- Retrofits with existing 1" strobe tube cutouts in headlight, taillight or corner lights in all types of commercial vehicles
- Optional cruise mode reduces light output to 20% brightness
- Insert fits both headlight and rear taillight assemblies

Specifications

- EMC: ECE R10

Ford Interceptor Utility and Sedan UnderCover™ Light Specifications	
FLASH PATTERNS	33 alternative flash patterns
LIGHT SYNC	Yes
TECHNOLOGY	6 Gen3 LEDs
INPUT VOLTAGE	10 - 16 Vdc
CURRENT DRAW	Less than 1 amp/module
OPERATING TEMPERATURE	-40° to +65° C
LENGTH/DIMENSION	1.5" (3.8 cm) Diameter (light only)
MOUNTING	Twist-In
WARRANTY	Five-year (light only)

REPLACE (x) IN ORDER NUMBER FOR COLOR SELECTION

Solid Colors =



Dual/Split Colors =

