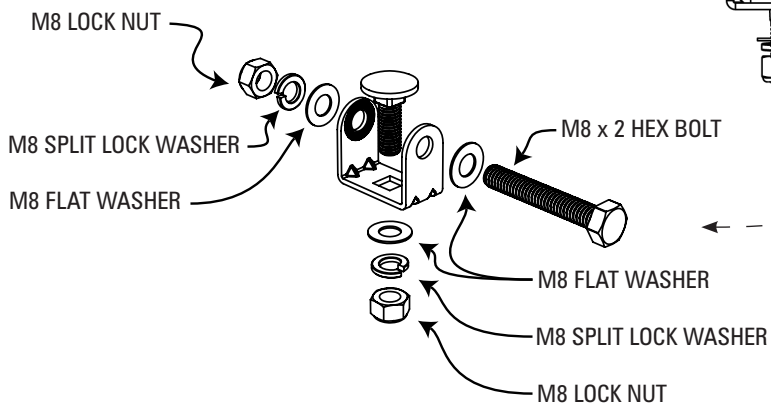
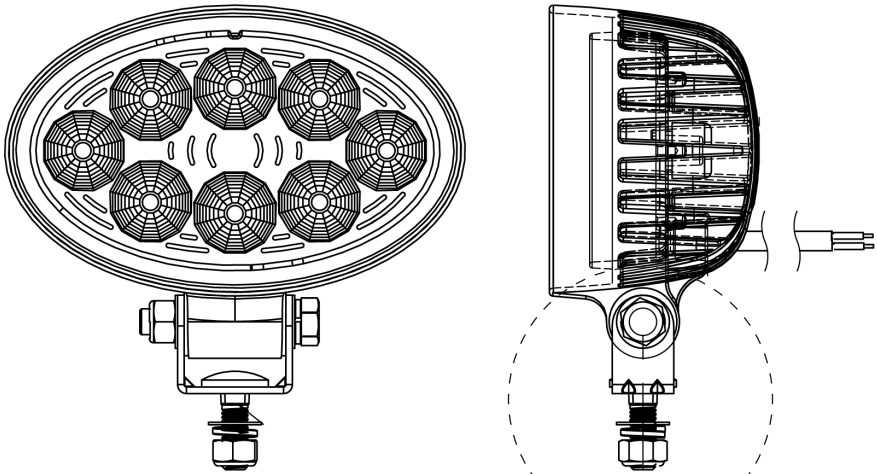


700 Lumen LED Worklight

5.6" OVAL W/ U-BRACKET

#EWLF0700DBDF0W (Flood)



ELECTRICAL CONNECTIONS:

See diagram below for required electrical connections. Connect the RED wire to +9-33 Vdc through a customer supplied 5A fuse and switch. Connect the BLACK wire to a reliable ground.

MECHANICAL ATTACHMENT:

Assemble Mounting bracket as shown in the diagram to the left. All bolts should be torqued to a maximum of 25 in-lbs.

WARNING

This product contains high intensity LED devices. To prevent eye damage, DO NOT stare into the light beam at close range.

TECHNICAL SPECIFICATIONS	
Overall Dimensions:	4.75"H x 5.61"W x 2.56"D
Input Voltage Range:	10-30 Vdc
Current Draw:	2.0 Amps @ 12.0 Vdc, 1.0 Amps @ 24.0 Vdc
Wattage:	24 Watts
Reverse Polarity:	Protected
Load Dump:	Protected
Operating Temperature:	-40° to +65° C
Optical Distribution:	Flood
Color Temperature:	5000 - 6000K
Number of LEDs:	8



Shop for other off-road lights on our website.