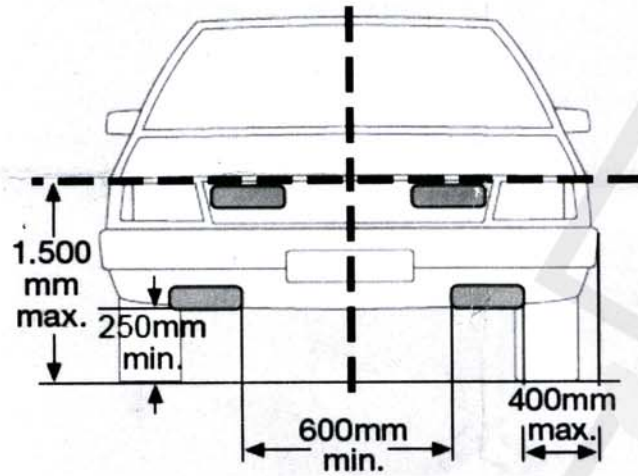
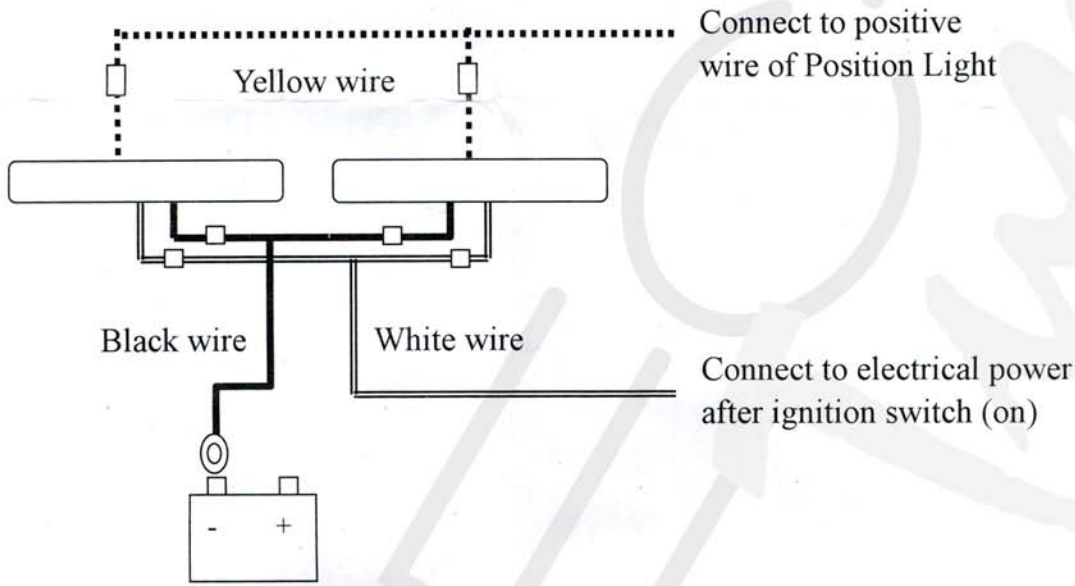


UNIVERSAL DAYTIME RUNNING LIGHT INSTALLATION INSTRUCTIONS



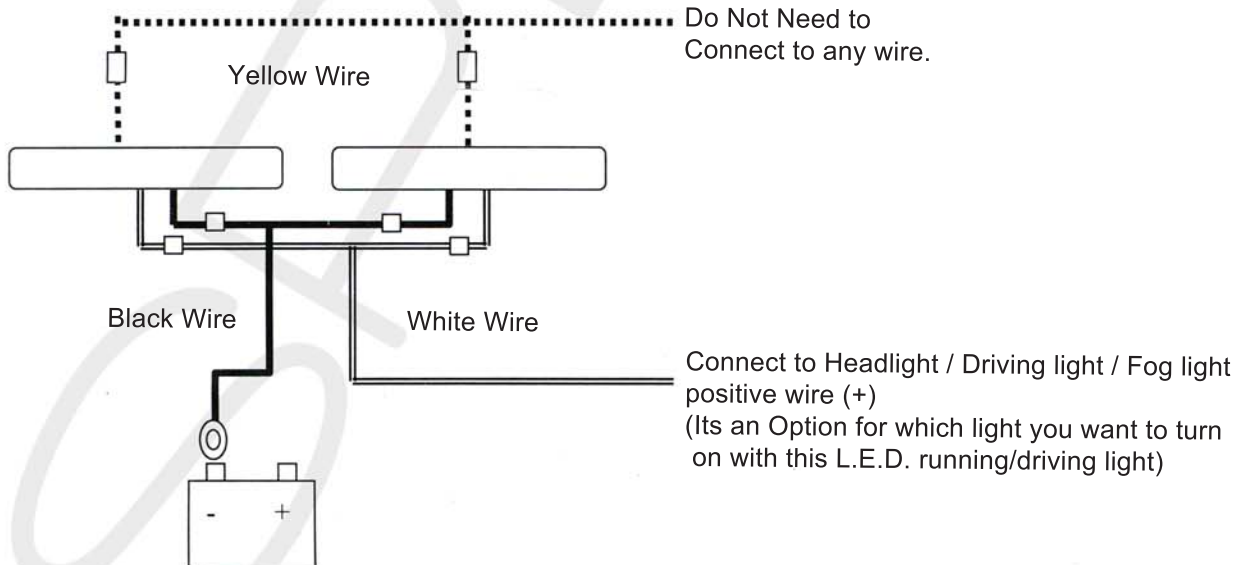
Wire Connection: (For vehicle that does not have Daytime Running Light)



Connect to positive wire of Position Light

Connect to electrical power after ignition switch (on)

Wire Connection: (For connection to headlight, driving light and fog light)



Do Not Need to Connect to any wire.

Connect to Headlight / Driving light / Fog light positive wire (+)
(Its an Option for which light you want to turn on with this L.E.D. running/driving light)

The great thing about this LED running lights is you can connect to any Headlights, Driving Lights, or Fog Lights. Simply follow the installation and enjoy the new look.