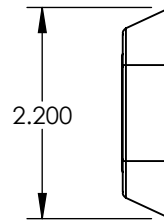
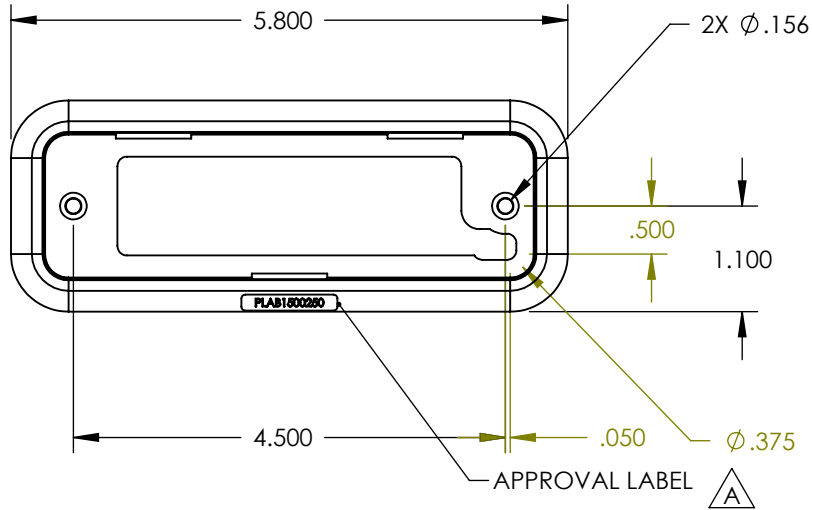
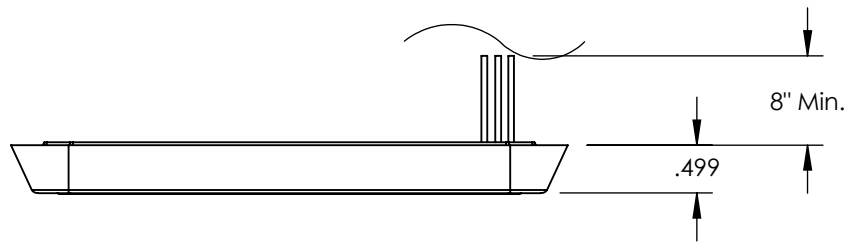
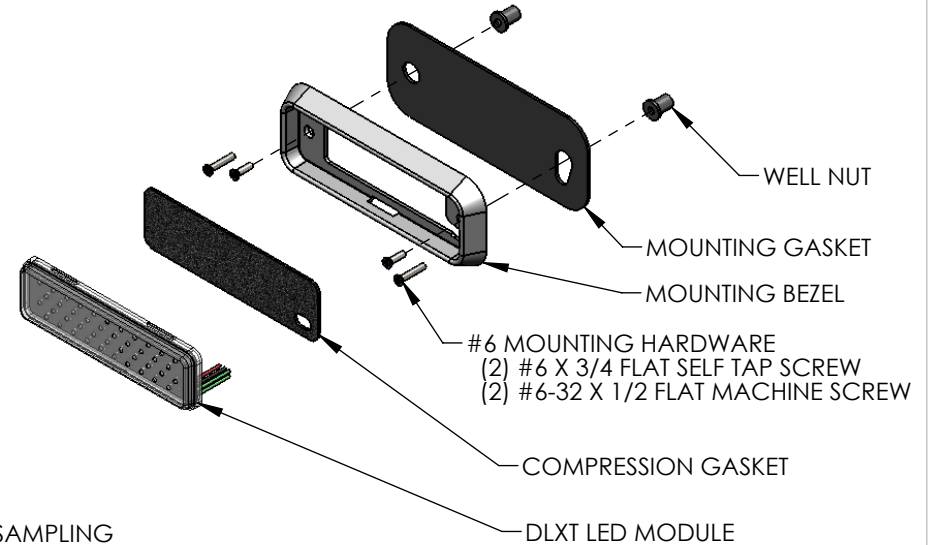
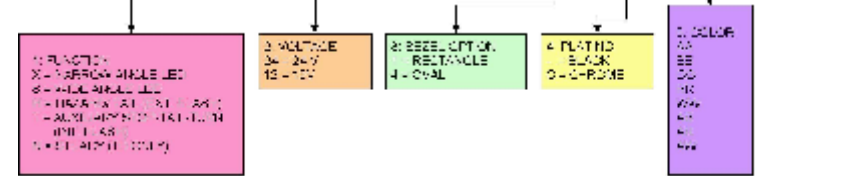
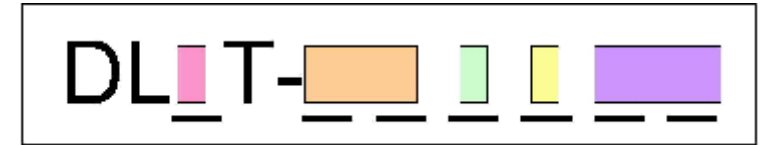


REV.	ECR	DESCRIPTION	DATE
-	8848	INITIAL DRAWING REQUEST	01/29/10
A	10573	ADDED APPROVAL LABEL PLAB1500250 & # 10R-037708 E11, & PRODUCTION SAMPLING NOTE	9/7/2012
B	12182	ADDED CHART FOR DLXT-1, DLHT-1, DLTT-1	8/22/2014

MODEL NUMBERS:



SPECIFICATIONS:

Typical Input Voltage Range: 10-16VDC @.305 A
 Typical Input Voltage Range: 19-28VDC @.203 A
 Operating Temperature Range: -40C to 55C
 Connections: 8 inch (min.) wires exiting the unit.
 Permanent Mounting: 2 Hole Pattern 4.5"
 Classification ECE REG. 10. 10R-037708, E11

Materials: Module Lens: Polycarbonate
 Compression Gasket: EPDM Foam Rubber
 Mounting Hardware: Stainless Steel
 Mounting Bezel: E-Palatable ABS
 Mounting Gasket: EPDM Rubber
 Well Nuts: Rubber with brass inserts



PRODUCTION SAMPLING
 Sampling Rate: Minimum 1per 6 month period.
 Test: EMC per QDOC137, Conducted Spike per QDOC138

UNLESS OTHERWISE SPECIFIED
 DIMENSIONS ARE IN INCHES
 TOLERANCES:
 ANGULAR: ± 2 DEG.
 .X ± .100
 .XX ± .020
 .XXX ± .005
 .XXXX ± .001

RoHS COMPLIANT: Yes
 MATERIAL: N/A
 FINISH: N/A

DRAWN BY: MD
DRAWING APPROVED BY ECR
 THE INFORMATION CONTAINED IN THIS DRAWING IS THE SOLE PROPERTY OF STAR HEADLIGHT & LANTERN CO., INC.. ANY REPRODUCTION IN PART OR AS A WHOLE WITHOUT THE WRITTEN PERMISSION OF STAR HEADLIGHT & LANTERN CO., INC. IS STRICTLY PROHIBITED.

STAR HEADLIGHT & LANTERN CO., INC.

MODEL: DLXT, DLHT, DLTT
 TITLE: DLXT-1 MODEL DRAWING

DWG. NO. DLXT-1 REV B

SCALE: 1:4 DO NOT SCALE FROM DRAWING SHEET 1 OF 1

Connections:	DLXT-1	DLHT-1	DLTT-1
22Gage Red Wire	POSITIVE VDC	POSITIVE VDC	POSITIVE VDC
22 Gage Black Wire	GROUND	GROUND	GROUND
22 Gage Green Wire	PATTERN SELECT	PATTERN SELECT	OPTION SELECT
22 Gage Green/White Wire	SPLIT/SINGLE	TURN	TURN
22 Gage White Wire	SYNCHRONIZATION	SYNCHRONIZATION	BRAKE