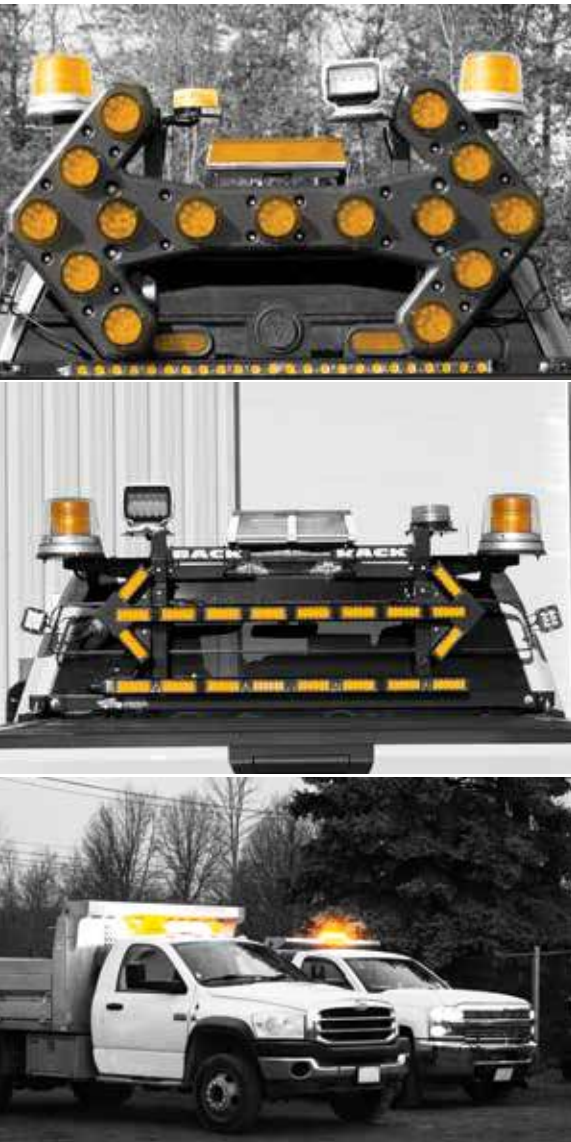


## TABLE OF CONTENTS



<b>BEACONS</b>	
High Profile.....	4
Medium Profile.....	8
Low Profile.....	14
Dual Color Beacons.....	21
Rotator Beacons.....	22
<b>MINI LIGHTBARS</b>	
<b>NEW!</b> ECLIPSE Series.....	23
16" LED Mini Lightbars.....	26
Dual Color.....	28
High Profile.....	30
<b>LIGHTBARS</b>	
Igniter Series.....	32
<b>PERIMETER LIGHTING</b>	
<b>NEW!</b> TITAN Series.....	34
Surface Mounts.....	36
Dual Function LED Strobes / Headlight Inserts.....	38
Self Contained LED Strobe Heads / LED Dash Light.....	39
<b>TRAFFIC ARROWS/ DIRECTORS</b>	
<b>NEW!</b> TITAN Series.....	40
Control Boxes.....	48
54000 Traffic Arrows.....	49
<b>BACK UP ALARMS</b>	
Back Up Alarms.....	50
<b>ILLUMINATION</b>	
Go Light.....	52
Tractor/Spreader/Utility.....	53
Work Light.....	54
Linear Work Light.....	55
LED Panel.....	56
Linear White Light.....	57
<b>PACKAGE SOLUTIONS</b>	
Snow Plow Lighting.....	58
<b>AUXILIARY LIGHTING</b>	
Flare Kits / Forklift Light.....	62
Barricade and Portable Lighting.....	63
<b>MOUNTING SOLUTIONS</b>	
Mounting Solutions.....	64
Temporary Mounting Solutions.....	66
<b>CONTROL SOLUTIONS</b>	
Switch Panels and Control Boxes.....	67
Cables and Cords.....	68
<b>REPLACEMENT PARTS, WARRANTY &amp; INDEX</b>	
Replacement Parts.....	69

# FLEET vs. FLEET PLUS

SWS Fleet products are made with quality components that are manufactured to SWS' superior standards and designs. They feature a non-complex wiring and operation system while remaining on the cutting edge of lighting technology and rugged material science. These systems are excellent for vehicles that do not require excessive lighting or are utilized in straightforward applications such as off road vehicles such as agriculture equipment and small vehicles like tow motors or forklifts.

Fleet Plus (formerly Intelligent Solutions) products have similar mechanical architecture and design as our Fleet products, but more advanced electronics to allow for greater functionality and modern features.

Fleet Plus products include the following features:



## Battery Check™

Long term operation of warning lights will deplete your vehicles battery and this is why we created the Battery check feature in our Fleet Plus series products. Battery check will detect the voltage drain on your battery and visually alert you to restart your vehicle to recharge the battery. The light will resume normal operation once it detects the battery has been replenished.



## Auto Dim™

Utilizing a mounted (either internally or externally) ambient light sensor, the product will reduce its light intensity for night time operations, without the need for user input. This is beneficial for vehicles with multiple warning lights or large fleet vehicles that are used for nighttime operations. Some jurisdictions are beginning to require these functions due to the glare and intensity of warning lights.



## Synchronization up to 16 lights

Products can be synchronized without requiring extra devices and will communicate flash pattern selection and timing, dimming, and Batterycheck information allowing all the lights to flash and function simultaneously. Utilizing this feature will optimize the warning light control, resulting in maximum light output.



## Zero EMI

The electronics in our products are designed with the lowest electromagnetic interference in mind to prevent any unwanted interference with radio equipment. LEDs and their electronics are already much less noisy than the previous generation of xenon strobes and we strive to limit or eliminate any excessive EMI produced by our lights.

SWS

TITAN  
SERIES



Introducing the latest breakthrough from SWS, the Titan Series Modular lighthouse. The Titan is available as a rugged stand alone perimeter light or as a non-metallic modular lighthouse. The stand alone version is perfect for the unrelenting environment that is your vehicle's grill while the modular lighthouse is the heart of our new 57000 series warning sticks, traffic directors, and arrows.

The Titan uses a 12-LED merged TIR optical design to provide a blistering 4750 effective candela (Amber) warning signal, all while consuming a remarkably low amount of power.

Whether you are a body builder or contractor, you'll find that the new Titan Series offers unparalleled value and the uncompromising quality you've come to expect from SWS.

eclipse

At just 2" in height, the new Eclipse 10" mini lightbar from SWS is one of the slimmest profile lights on the market.

With its slim profile, it sacrifices nothing in regards to visibility, durability, and reliability.



# HIGH PROFILE LED BEACONS

## FLEET *PLUS*



23803



Switch 766163  
(sold separately)



- BatteryCheck™
- AutoDim™
- Synchronization
- Zero EMI

(definitions refer to page 2)

### Features

- SAE J845 (2013) Class 1 (CA13 23803 only)
- Anodized aluminum open base
- High strength polycarbonate dome and lens with UV inhibitors
- Fully encapsulated electronics for rugged durability; protecting against vibration and moisture

### Available Colors

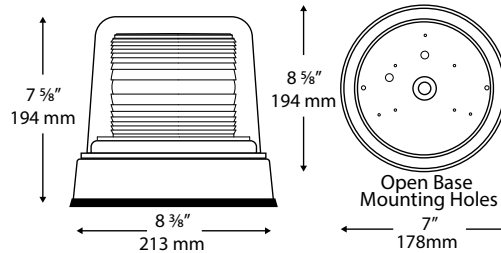


### Recommended Mounting Solution

(sold separately - See page 64 for more options)



### Dimensions



# HIGH PROFILE LED BEACONS

## FLEET



200A-12V-A



Switch 766163  
(sold separately)

### Features

- SAE J845 (2013) Class 1 requirements (Photometrics only)
- Anodized aluminum open base
- High strength polycarbonate dome and lens with UV inhibitors
- Fully encapsulated electronics for rugged durability; protecting against vibration and moisture
- User selectable flash patterns; single (60 FPM), double (107 FPM) or quad (160 FPM)
- CSA Approved (12 Volt models)

### Available Colors

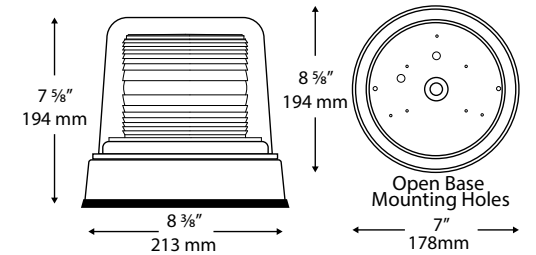


### Recommended Mounting Solution

(sold separately - See page 64 for more options)



### Dimensions



### Available Models

Part #	Dome/Lens	Vdc	Amps	Lumens	SAE	Mounting	CSA	# Patterns	Replacement parts		
									Dome	Lens	Circuit
✓ 200A-12V-A	Clear/Amber	12-80	0.5	912	Class 1	PM	✓	3	134-1-C	300-A	79862
200A-12V-B	Clear/Blue	12-80	0.5	912	Class 2	PM	✓	3	134-1-C	300-B	79862
200A-12V-C	Clear/Clear	12-80	0.5	912	Class 2	PM	✓	3	134-1-C	300-C	79862
200A-12V-G	Clear/Green	12-80	0.5	912	-	PM	✓	3	134-1-C	300-G	79862
200A-12V-R	Clear/Red	12-80	0.5	912	Class 2	PM	✓	3	134-1-C	300-R	79862
✓ 200A-72V-A	Clear/Amber	72-125	0.1	912	Class 1	PM		3	134-1-C	300-A	79825
200A-72V-C	Clear/Clear	72-125	0.1	912	Class 2	PM		3	134-1-C	300-C	79825
200A-72V-R	Clear/Red	72-125	0.1	912	Class 2	PM		3	134-1-C	300-R	79825

### Available Models

Part #	Dome/Lens	Vdc	Amps	Lumens	SAE	Mounting	# Patterns	Replacement parts		
								Dome	Lens	Circuit
23802	Clear/Red	12-24	0.5-1.5	1080	-	PM	13	134-1-C	300-R	79890
✓ 23803	Clear/Amber	12-24	0.5-1.5	1080	Class 1	PM	13	134-1-C	300-A	79890
23804	Clear/Blue	12-24	0.5-1.5	828	Class 1	PM	13	134-1-C	300-B	79895
✓ 23805	Amber/Clear	12-24	0.5-1.5	1080	Class 1	PM	13	134-1-A	300-C	79890
23806	Clear/Clear	12-24	0.5-1.5	1080	Class 1	PM	13	134-1-C	300-C	79864

✓ = Top Seller | PM = Permanent Mount

✓ = Top Seller | PM = Permanent Mount

# HIGH PROFILE LED BEACONS

## FLEET **PLUS**



23860



23835



Switch 766163  
(sold separately)

- **BatteryCheck™**
- **AutoDim™**
- **Synchronization**
- **Zero EMI**

(definitions refer to page 2)

### Features

- SAE J845 (2013) Class 1 requirements
- High strength polycarbonate construction with UV inhibitors
- Fully encapsulated electronics for rugged durability; protecting against vibration and moisture

### Available Colors

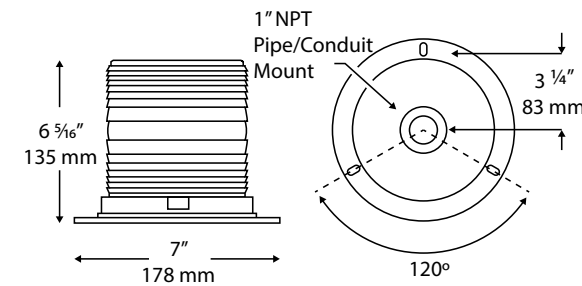


### Recommended Mounting Solution

(sold separately - See page 64 for more options)



### Dimensions



Available Models								Replacement parts	
Part #	Lens	Vdc	Amps	Lumens	SAE	Mounting	# Patterns	Lens	Circuit
✓ 23835	Amber	12-24	0.5-1.5	1,080	Class 1	FL	13	877307	79896
23840	Blue	12-24	0.5-1.5	828	Class 1	FL	13	877308	79898
23860	Clear	12-24	0.5-1.5	1,080	Class 1	FL	13	877309	79865

✓ = Top Seller | FL = Flange Mount

# HIGH PROFILE LED BEACONS

## FLEET



27151



27152



Switch 766163  
(sold separately)



### Features

- SAE J845 (2013) Class 1 requirements (Photometrics only)
- High strength polycarbonate construction with UV inhibitors
- Fully encapsulated electronics for rugged durability; protecting against vibration and moisture
- User selectable flash patterns; single (60 FPM), double (107 FPM) or quad (160 FPM)

### Available Colors

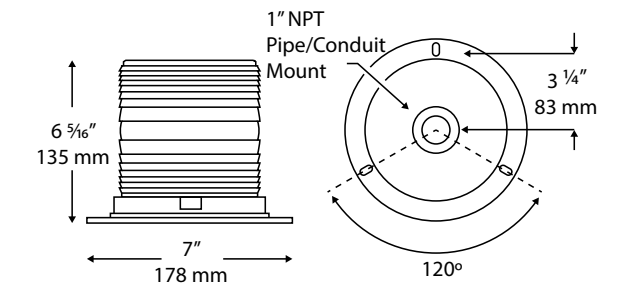


### Recommended Mounting Solution

(sold separately - See page 64 for more options)



### Dimensions



Available Models								Replacement parts	
Part #	Lens	Vdc	Amps	Lumens	SAE	Mounting	# Patterns	Lens	Circuit
✓ 27151	Clear	12-80	0.1-0.5	912	Class 1	FL	3	877309	79866
27152	Amber	12-80	0.1-0.5	912	Class 1	FL	3	877307	79866
27153	Blue	12-80	0.1-0.5	912	Class 1	FL	3	877308	79866

✓ = Top Seller | FL = Flange Mount

# MEDIUM PROFILE LED BEACONS

## FLEET PLUS



23816



23815



Switch 766163  
(sold separately)

### Features

- SAE J845 (2013) Class 1 requirements
- High strength polycarbonate construction with UV inhibitors
- Fully encapsulated electronics for rugged durability; protecting against vibration and moisture
- AutoDim™ and Synchronization not available in magnetic mount versions

- **BatteryCheck™**
- **AutoDim™**
- **Synchronization**
- **Zero EMI**

(definitions refer to page 2)

### Available Colors

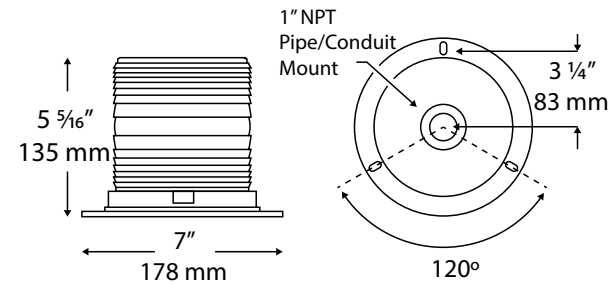


### Recommended Mounting Solution

(sold separately - See page 64 for more options)



### Dimensions



Available Models								Replacement parts	
Part #	Lens	Vdc	Amps	Lumens	SAE	Mounting	# Patterns	Lens	Circuit
✓ 23815	Amber	12-24	0.1-1.5	1080	Class 1	FL	13	300-S-A	79890
23819	Blue	12-24	0.1-1.5	828	Class 1	FL	13	300-S-B	79895
✓ 23827	Clear	12-24	0.1-1.5	1080	Class 1	FL	13	300-S-C	79864
23816	Amber	12	0.1-1.5	1080	Class 1	MM	13	300-S-A	79890
23820	Blue	12	0.1-1.5	828	Class 1	MM	13	300-S-B	79895
* 23810	Clear	12-24	0.1-1.5	1380	Class 1	FL	13	300-S-C	-
* 23811	Red	12-24	0.1-1.5	1380	Class 2	FL	13	300-S-R	-
* 23812	Clear	12	0.1-1.5	1380	Class 1	MM	13	300-S-C	-

✓ = Top Seller | MM = Magnetic Mount | FL = Flange Mount | \*Top emitting option

# MEDIUM PROFILE LED BEACONS

## FLEET



27001



27021  
Magnet Mount



27112  
Vacuum magnet Mount



27061  
Mirror Bracket Mount



Switch 766163  
(sold separately)

### Features

- SAE J845 (2013) Class 1 requirements (Photometrics only)
- High strength polycarbonate construction with UV inhibitors
- Fully encapsulated electronics for rugged durability; protecting against vibration and moisture
- User selectable flash patterns; single (60 FPM), double (107 FPM) or quad (160 FPM)
- Multiple mounting options for your application

### Available Colors

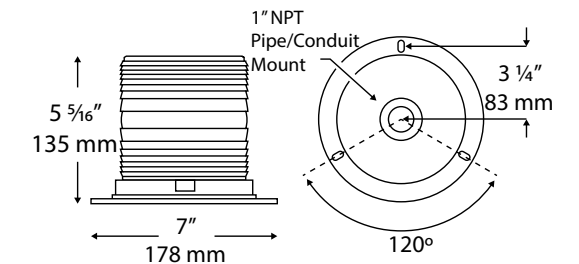


### Recommended Mounting Solution

(sold separately - See page 64 for more options)



### Dimensions



Available Models								Replacement parts	
Part #	Lens	Vdc	Amps	Lumens	SAE	Mounting	# Patterns	Lens	Circuit
✓ 27001	Amber	12-80	0.5	912	Class 1	FL	3	300-S-A	79862
27002	Blue	12-80	0.5	912	Class 2	FL	3	300-S-B	79862
27003	Clear	12-80	0.5	912	Class 2	FL	3	300-S-C	79862
27011	Amber	72-125	0.5	912	Class 1	FL	3	300-S-A	79825
27013	Clear	72-125	0.5	912	Class 2	FL	3	300-S-C	79825
27015	Red	72-125	0.5	912	Class 2	FL	3	300-S-R	79825
✓ 27021	Amber	12	0.1-0.5	912	Class 1	MM	3	300-S-A	79862
✓ 27022	Blue	12	0.1-0.5	912	Class 2	MM	3	300-S-B	79862
27023	Clear	12	0.1-0.5	912	Class 2	MM	3	300-S-C	79862
✓ 27112	Amber	12	0.1-0.5	912	Class 1	VM	3	300-S-A	79862
27113	Blue	12	0.1-0.5	912	Class 2	VM	3	300-S-B	79862
27061	Amber	12-80	0.5	912	Class 1	MB	3	300-S-A	79862

✓ = Top Seller | MB = Mirror Bracket Mount | MM = Magnetic Mount | VM = Vacuum Mount | FL = Flange Mount

# MEDIUM PROFILE LED BEACONS

## FLEET



200SM-12V-A



200S-12V-A



Switch 766163  
(sold separately)

### Features

- SAE J845 (2013) Class 1 requirements (Photometrics only)
- Polycarbonate closed base design and stainless steel banding ring
- Fully encapsulated electronics for rugged durability; protecting against vibration and moisture
- User selectable flash patterns; single (60 FPM), double (107 FPM) or quad (160 FPM)

### Available Colors

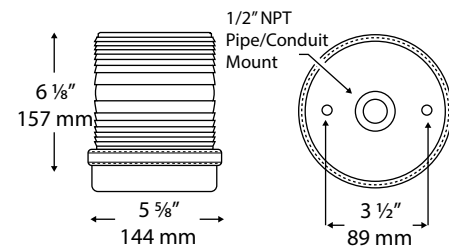


### Recommended Mounting Solution

(sold separately - See page 64 for more options)



### Dimensions



Available Models								Replacement parts	
Part #	Lens	Vdc	Amps	Lumens	SAE	Mounting	# Patterns	Lens	Circuit
✓ 200S-12V-A	Amber	12-80	0.5	912	Class 1	PM	3	300-S-A	79866
✓ 200S-12V-B	Blue	12-80	0.5	912	Class 2	PM	3	300-S-B	79866
200S-12V-C	Clear	12-80	0.5	912	Class 2	PM	3	300-S-C	79866
200S-72V-A	Amber	72-125	0.5	912	Class 1	PM	3	300-S-A	79868
200S-72V-C	Clear	72-125	0.5	912	Class 2	PM	3	300-S-C	79868
200S-72V-R	Red	72-125	0.5	912	Class 2	PM	3	300-S-R	79868
✓ 200SM-12V-A	Amber	12	0.1-0.5	912	Class 1	MM	3	300-S-A	79866
✓ 200SM-12V-B	Blue	12	0.1-0.5	912	Class 2	MM	3	300-S-B	79866

✓ = Top Seller | PM = Permanent Mount | MM = Magnetic Mount

# MEDIUM PROFILE LED BEACONS

## FLEET



208RM-12V-A



208R-12V-A



Switch 766163  
(sold separately)

### Features

- SAE J845 (2013) Class 2 (Photometrics only)
- Polycarbonate lens, corrosion proof silicone rubber base
- Fully encapsulated electronics for rugged durability; protecting against vibration and moisture
- User selectable flash patterns; single (60 FPM), double (107 FPM) or quad (160 FPM)

### Available Colors

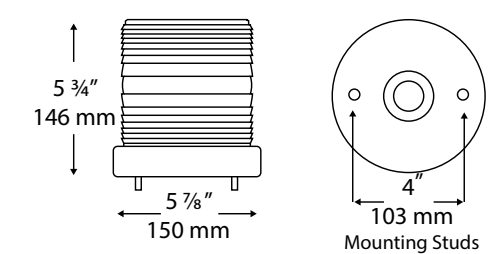


### Recommended Mounting Solution

(sold separately - See page 64 for more options)



### Dimensions



Available Models								Replacement parts	
Part #	Lens	Vdc	Amps	Lumens	SAE	Mounting	# Patterns	Lens	Circuit
✓ 208R-12V-A	Amber	12-80	0.5	456	Class 2	PM	3	299-A	79826
208R-12V-B	Blue	12-80	0.5	456	Class 2	PM	3	299-B	79826
208R-12V-C	Clear	12-80	0.5	456	Class 2	PM	3	299-C	79826
208R-12V-R	Red	12-80	0.5	456	Class 2	PM	3	299-R	79826
✓ 208RM-12V-A	Amber	12	0.1-0.5	456	Class 2	MM	3	299-A	79826
208RM-12V-B	Blue	12	0.1-0.5	456	Class 2	MM	3	299-B	79826

✓ = Top Seller | PM = Permanent Bracket Mount | MM = Magnetic Mount

NEW!

# MEDIUM PROFILE LED BEACONS FLEET PLUS



20640



Switch 766163  
(sold separately)

### Features

- SAE J845 (2013) Class 1 (Amber models CA13)
- Rugged polycarbonate base, lens, and dome with UV inhibitors
- Fully encapsulated electronics for rugged durability; protecting against vibration and moisture
- Replacement dome part number 877403

- BatteryCheck™
- AutoDim™
- Synchronization
- Zero EMI



(definitions refer to page 2)

### Available Colors



### Recommended Mounting Solution

(sold separately - See page 64 for more options)

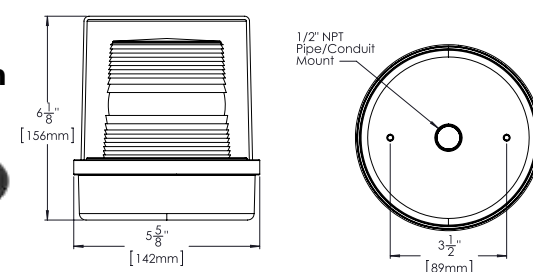
98017  
Driver Side  
Mount



98018  
Passenger Side  
Mount



### Dimensions



Available Models								Replacement parts
Part #	Lens/Dome	Vdc	Amps	Lumens	SAE	Mounting	# Patterns	Lens
✓20640	Amber/Clear	10-16	0.2-0.5	810	Class 1	PM	14	333-A
20641	Blue/Clear	10-16	0.2-0.5	621	Class 2	PM	14	333-B
20642	Clear/Clear	10-16	0.2-0.5	810	Class 1	PM	14	333-C
20643	Green/Clear	10-16	0.2-0.5	810	Class 2	PM	14	333-G
20655	Red/Clear	10-16	0.2-0.5	810	Class 2	PM	14	333-R
✓20610	Amber/Clear	12	0.2-0.5	810	Class 1	MM	14	333-A
20611	Blue/Clear	12	0.2-0.5	621	Class 2	MM	14	333-B
20612	Clear/Clear	12	0.2-0.5	810	Class 1	MM	14	333-C
20613	Green/Clear	12	0.2-0.5	810	Class 2	MM	14	333-G
20615	Red/Clear	12	0.2-0.5	810	Class 2	MM	14	333-R

✓ = Top Seller | PM = Permanent Mount | MM = Magnetic Mount

NEW!

# MEDIUM PROFILE LED BEACONS FLEET



20650



Switch 766163  
(sold separately)

### Features

- SAE J845 (2013) Class 2 (Photometrics only)
- Rugged polycarbonate base, lens, and dome with UV inhibitors
- Fully encapsulated electronics for rugged durability; protecting against vibration and moisture
- User selectable flash patterns; single (60 FPM), double (107 FPM) or quad (160 FPM)

### Available Colors



### Recommended Mounting Solution

(sold separately - See page 64 for more options)

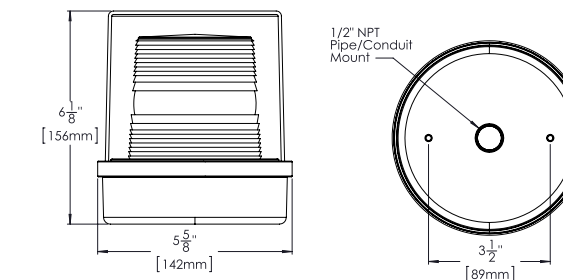
98017  
Driver Side  
Mount



98018  
Passenger Side  
Mount



### Dimensions



Available Models							Replacement parts	
Part #	Lens/Dome	Vdc	Amps	Lumens	Mounting	# Patterns	Lens	Dome
✓20650	Amber/Clear	12-80	0.3-0.4	912	PM	3	333-A	877403
20651	Blue/Clear	12-80	0.3-0.4	912	PM	3	333-B	877403
20652	Clear/Clear	12-80	0.3-0.4	912	PM	3	333-C	877403
20653	Green /Clear	12-80	0.3-0.4	912	PM	3	333-G	877403
20655	Red/Clear	12-80	0.3-0.4	912	PM	3	333-R	877403
✓20660	Amber/Clear	12	0.3-0.4	912	MM	3	333-A	877403
20661	Blue/Clear	12	0.3-0.4	912	MM	3	333-B	877403
20662	Clear/Clear	12	0.3-0.4	912	MM	3	333-C	877403
20663	Green/Clear	12	0.3-0.4	912	MM	3	333-G	877403
20665	Red/Clear	12	0.3-0.4	912	MM	3	333-R	877403

✓ = Top Seller | PM = Permanent Mount | MM = Magnetic Mount

# LOW PROFILE LED BEACONS

## FLEET **PLUS**

# LOW PROFILE LED BEACONS

## FLEET



23101



23817



Switch 766163  
(sold separately)



23715



27006



27066  
Mirror bracket mount



Switch 766163  
(sold separately)

### Features

- SAE J845 (2013) Class 1 requirements (Amber models only)
- High strength polycarbonate construction with UV inhibitors
- Fully encapsulated electronics for rugged durability; protecting against vibration and moisture
- AutoDim™ and Synchronization not available in magnetic mount versions



Magnet Mount Kit  
(sold separately for 23715 only)

### Features

- SAE J845 (2013) Class 2 (Photometrics only)
- High strength polycarbonate construction with UV inhibitors
- Fully encapsulated electronics for rugged durability; protecting against vibration and moisture
- User selectable flash patterns; single (60 FPM), double (107 FPM) or quad (160 FPM)
- Multiple mounting options for your application

- **BatteryCheck™**
- **AutoDim™**
- **Synchronization**
- **Zero EMI** 238xx Series



(definitions refer to page 2)

### Available Colors

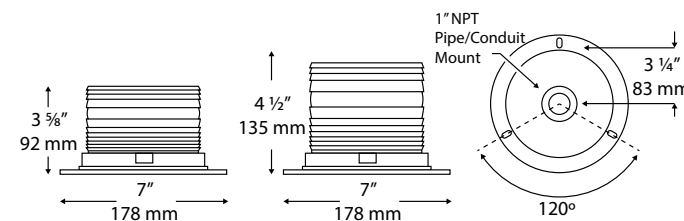


### Recommended Mounting Solution

(sold separately - See page 64 for more options)



### Dimensions



### Available Colors

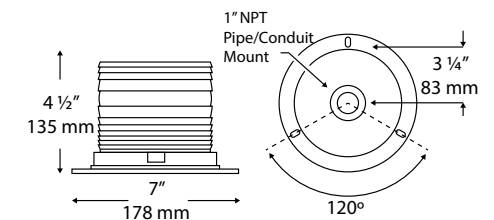


### Recommended Mounting Solution

(sold separately - See page 64 for more options)



### Dimensions



Available Models								Replacement parts	
Part #	Lens	Vdc	Amps	Lumens	SAE	Mounting	# Patterns	Lens	Circuit
✓ 23817	Amber	12-24	0.1-1.5	1080	Class 1	PM	13	877334	79896
23821	Blue	12-24	0.1-1.5	828	Class 2	PM	13	877335	79898
✓ 23818	Amber	12	0.1-1.5	1080	Class 1	MM	13	877334	79896
23822	Blue	12	0.1-1.5	828	Class 2	MM	13	877335	79898
23101	Amber	12-24	0.1 - 1.3	1824	Class 1	FL	23	877461	-
23105	Blue	12-24	0.1 - 1.3	1824	Class 2	FL	23	877463	-
23109	Clear	12-24	0.1 - 1.3	1824	Class 2	FL	23	877459	-
23102	Amber	12	0.1 - 1.3	1824	Class 1	MM	23	877461	-
23106	Blue	12	0.1 - 1.3	1824	Class 2	MM	23	877463	-

✓ = Top Seller | PM = Permanent Mount | MM = Magnetic Mount | FL = Flange Mount

Available Models								Replacement parts	
Part #	Lens	Vdc	Amps	Lumens	SAE	Mounting	# Patterns	Lens	Circuit
✓ 27006	Amber	12-80	0.1-0.5	912	Class 2	FL	3	877334	79866
27007	Blue	12-80	0.1-0.5	912	Class 2	FL	3	877335	79866
27008	Clear	12-80	0.1-0.5	912	Class 2	FL	3	877337	79866
27016	Amber	72-125	0.1	912	Class 2	FL	3	877334	79868
27020	Red	72-125	0.1	912	Class 2	FL	3	877336	79868
✓ 27026	Amber	12	0.1-0.5	912	Class 2	MM	3	877334	79866
✓ 27027	Blue	12	0.1-0.5	912	Class 2	MM	3	877335	79866
✓ 27066	Amber	12-80	0.1-0.5	912	Class 2	MB	3	877334	79866
27067	Blue	12-80	0.1-0.5	912	Class 2	MB	3	877335	79866
23715	Amber	12-24	0.1-1.5	1,080	Class 2	PM	13	877334	79896

✓ = Top Seller | MB = Mirror Bracket Mount | MM = Magnetic Mount | PM = Permanent Mount | FL = Flange Mount



**NEW!**

# LOW PROFILE LED BEACONS FLEET<sup>PLUS</sup>



**20790**



**20760**



**Switch 766163**  
(sold separately)

### Features

- SAE J845 (2013) Class 1 requirements (Amber & White models only)
- Polycarbonate lens, powder coated die-cast base and stainless steel banding ring
- Fully encapsulated electronics for rugged durability; protecting against vibration and moisture
- AutoDim™ and Synchronization not available in magnetic mount versions

- **BatteryCheck™**
- **AutoDim™**
- **Synchronization**
- **Zero EMI**

(definitions refer to page 2)

### Available Colors



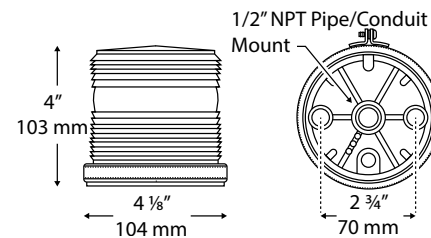
### Recommended Mounting Solution

(sold separately - See page 64 for more options)

**98008**



### Dimensions



Available Models								Replacement parts	
Part #	Lens	Vdc	Amps	Lumens	SAE	Mounting	# Patterns	Lens	Circuit
✓ 20790	Amber	10-16	0.2-0.5	810	Class 1	PM	14	330-A	79880
20791	Blue	10-16	0.2-0.5	621	Class 2	PM	14	330-B	79891
20792	Clear	10-16	0.2-0.5	810	Class 1	PM	14	330-C	79888
20793	Red	10-16	0.2-0.5	810	Class 2	PM	14	330-R	79880
✓ 20760	Amber	12	0.2-0.5	810	Class 1	MM	14	330-A	79879
20761	Blue	12	0.2-0.5	621	Class 2	MM	14	330-B	79886
20762	Clear	12	0.2-0.5	810	Class 1	MM	14	330-C	79884
20765	Red	12	0.2-0.5	810	Class 2	MM	14	330-R	79879

✓ = Top Seller | PM = Permanent Mount | MM = Magnetic Mount

# LOW PROFILE LED BEACONS FLEET



**200Z-12V-A**



**200ZM-12V-A**



**Switch 766163**  
(sold separately)

### Features

- SAE J845 (2013) Class 2 (Photometrics only)
- Polycarbonate lens, powder coated die-cast base and stainless steel banding ring
- Fully encapsulated electronics for rugged durability; protecting against vibration and moisture
- User selectable flash patterns; single (60 FPM), double (107 FPM) or quad (160 FPM)

### Available Colors



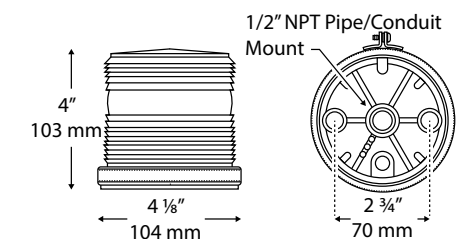
### Recommended Mounting Solution

(sold separately - See page 64 for more options)

**98008**



### Dimensions



Available Models								Replacement parts	
Part #	Lens	Vdc	Amps	Lumens	SAE	Mounting	# Patterns	Lens	Circuit
✓ 200Z-12V-A	Amber	12-80	0.1-0.5	456	Class 2	PM	3	330-A	79822
200Z-12V-B	Blue	12-80	0.1-0.5	456	Class 2	PM	3	330-B	79822
200Z-12V-C	Clear	12-80	0.1-0.5	456	Class 2	PM	3	330-C	79822
✓ 200ZM-12V-A	Amber	12	0.1-0.5	456	Class 2	MM	3	330-A	79822
200ZM-12V-B	Blue	12	0.1-0.5	456	Class 2	MM	3	330-B	79822
200ZM-12V-G	Green	12	0.1-0.5	456	Class 2	MM	3	330-G	79822
200ZM-12V-M	Magenta	12	0.1-0.5	456	Class 2	MM	3	330-M	79822

✓ = Top Seller | MM = Magnetic Mount | PM = Permanent Mount

**NEW!**

# LOW PROFILE LED BEACONS FLEET PLUS



20796



20780



20796B



Switch 766163  
(sold separately)

### Features

- SAE J845 (2013) Class 1 requirements (Amber & White models only)
- Polycarbonate base with snap-in polycarbonate fresnel lens
- Fully encapsulated electronics for rugged durability; protecting against vibration and moisture
- AutoDim™ and Synchronization not available in magnetic mount versions

- **BatteryCheck™**
- **AutoDim™**
- **Synchronization**
- **Zero EMI**   
(No radio interference)  
(definitions refer to page 2)

### Available Colors



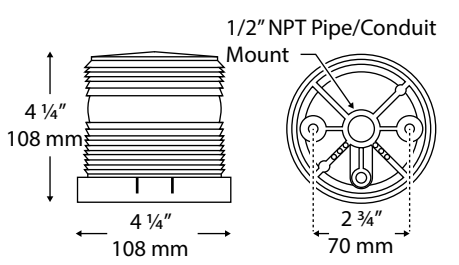
### Recommended Mounting Solution

(sold separately - See page 64 for more options)



98008

### Dimensions



Available Models								Replacement parts	
Part #	Lens	Vdc	Amps	Lumens	SAE	Mounting	# Patterns	Lens	Circuit
✓ 20796	Amber	10-16	0.2-0.5	810	Class 1	PM	14	330-A	79880
20797	Blue	10-16	0.2-0.5	621	Class 2	PM	14	330-B	79891
20798	Clear	10-16	0.2-0.5	810	Class 1	PM	14	330-C	79888
20799	Red	10-16	0.2-0.5	810	Class 2	PM	14	330-R	79880
✓ 20780	Amber	12	0.2-0.5	810	Class 1	MM	14	330-A	79879
20781	Blue	12	0.2-0.5	621	Class 2	MM	14	330-B	79886
20782	Clear	12	0.2-0.5	810	Class 1	MM	14	330-C	79884
20785	Red	12	0.2-0.5	810	Class 2	MM	14	330-R	79879
20796B	Amber	10-16	0.2-0.5	810	Class 1	MB	14	330-A	79880

✓ = Top Seller | PM = Permanent Mount | MM = Magnetic Mount | MB = Mirror Bracket Mount

# LOW PROFILE LED BEACONS FLEET



201Z-12V-A



201ZM-12V-A



201ZB-12V-A



201ZS-12V-A



Switch 766163  
(sold separately)

### Features

- SAE J845 (2013) Class 2 (Photometrics only)
- Polycarbonate base with snap-in polycarbonate fresnel lens
- Fully encapsulated electronics for rugged durability; protecting against vibration and moisture
- User selectable flash patterns; single (60 FPM), double (107 FPM) or quad (160 FPM)
- Permanent or 1/2" NPT mount standard
- Magnetic mount, mirror bracket mount & suction cup mount available

### Available Colors



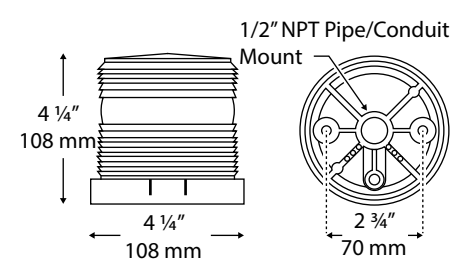
### Recommended Mounting Solution

(sold separately - See page 64 for more options)



98008

### Dimensions



Available Models								Replacement parts	
Part #	Lens	Vdc	Amps	Lumens	SAE	Mounting	# Patterns	Lens	Circuit
✓ 201Z-12V-A	Amber	12-80	0.1-0.5	456	Class 2	PM	3	330-A	79822
201Z-12V-B	Blue	12-80	0.1-0.5	456	Class 2	PM	3	330-B	79822
201Z-12V-C	Clear	12-80	0.1-0.5	456	Class 2	PM	3	330-C	79822
✓ 201ZM-12V-A	Amber	12	0.1-0.5	456	Class 2	MM	3	330-A	79822
201ZM-12V-B	Blue	12	0.1-0.5	456	Class 2	MM	3	330-B	79822
201ZM-12V-G	Green	12	0.1-0.5	456	Class 2	MM	3	330-G	79822
201ZM-12V-M	Magenta	12	0.1-0.5	456	Class 2	MM	3	330-M	79822
✓ 201ZB-12V-A	Amber	12-80	0.1-0.5	456	Class 2	MB	3	330-A	79822
201ZB-12V-B	Blue	12-80	0.1-0.5	456	Class 2	MB	3	330-B	79822
✓ 201ZS-12V-A	Amber	12	0.1-0.5	456	Class 2	SC	3	330-A	79822

✓ = Top Seller | MM = Magnetic Mount | PM = Permanent Mount | MB = Mirror Bracket Mount | SC = Suction Cup Mount

# LOW PROFILE LED BEACONS FLEET



204R-12V-A



204RM-12V-A



Switch 766163  
(sold separately)

### Features

- SAE J845 (2013) Class 2 (Photometrics only)
- Polycarbonate lens, scratch resistant silicone rubber base and corrosion proof housing
- Fully encapsulated electronics for rugged durability; protecting against vibration and moisture
- User selectable flash patterns; single (60 FPM), double (107 FPM) or quad (160 FPM)

### Available Colors

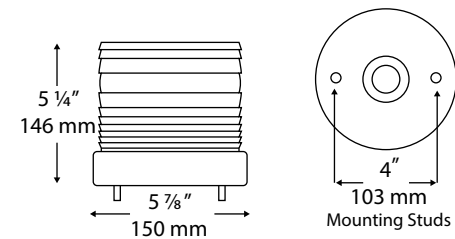


### Recommended Mounting Solution

(sold separately - See page 64 for more options)



### Dimensions



Available Models								Replacement parts	
Part #	Lens	Vdc	Amps	Lumens	SAE	Mounting	# Patterns	Lens	Circuit
✓ 204R-12V-A	Amber	12-80	0.1-0.5	456	Class 2	PM	3	298-A	79821
204R-12V-B	Blue	12-80	0.1-0.5	456	Class 2	PM	3	298-B	79821
204R-12V-C	Clear	12-80	0.1-0.5	456	Class 2	PM	3	298-C	79821
✓ 204RM-12V-A	Amber	12	0.1-0.5	456	Class 2	MM	3	298-A	79821
204RM-12V-B	Blue	12	0.1-0.5	456	Class 2	MM	3	298-B	79821

✓ = Top Seller | PM = Permanent Mount | MM = Magnetic Mount

# DUAL COLOR LED BEACONS FLEET PLUS



LOW



MEDIUM



HIGH

### Common Color Combinations



### Synchronization

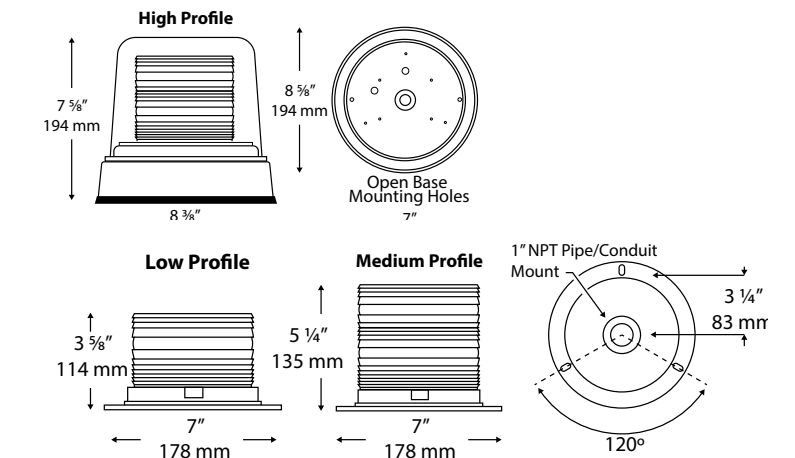
(definitions refer to page 2)



Switch 766152  
(sold separately)

### Recommended Mounting Solution

(sold separately - See page 64 for more options)



Available Models										Replacement parts
Part #	Profile	Dome/Lens/Flash	Vdc	Amps	Lumens	SAE	Mounting	# Patterns		Dome / Lens
✓ 22117	Low	- /Clear/A-B	12-24	0.1-0.7	A: 454 B: 320	Class 2	FL	3		877456
✓ 22332	Medium	- /Clear/A-B	12-24	0.1-0.9	A: 908 B: 640	Class 2	FL	23		877451
✓ 22335	Medium	- /Clear/A-B	12-24	0.1-0.8	A: 908 B: 640	Class 2	FL	3		877451
22336	Medium	- /Clear/A-B	12-24	0.1-0.9	A: 908 B: 640	Class 2	FL	3		877451
22609	High	Clear/Clear/A-B	12-24	0.2-1.4	A: 908 B: 640	Class 1	PM	3		134-1-C / 877452

✓ = Top Seller | A = Amber | B=Blue | PM= Permanent Mount | FL=Flange Mount

# ROTATOR BEACONS FLEET



28100



28001



Switch 766150  
(sold separately)

### Available Colors



### Recommended Mounting Solution

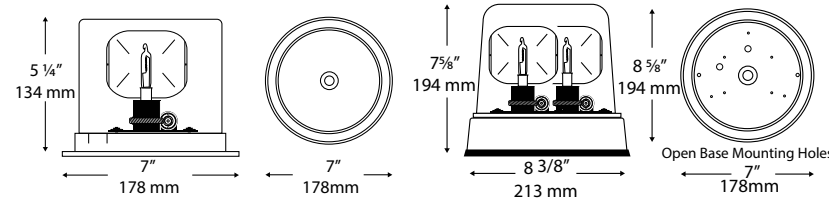
(sold separately - See page 64 for more options)



### Features

- SAE J845 (2013) Class 1
- High Profile: Anodized aluminum base, open bottom design
- Medium Profile: Polycarbonate base, optional flange included
- Polycarbonate dome
- Gear driven rotator assembly with stainless steel bearings and vibration resistant mounts for long life
- Magnetic mount versions available

### Dimensions



Available Models								Replacement parts	
Part #	Lens	Vdc	Amps	Watts	SAE	Mounting	FPM	Lens	Bulb
<b>Medium Profile</b>									
✓ 28001	Amber	12	3	35	Class 1	FL	85	877401	2073-796
28002	Blue	12	3	35	Class 1	FL	85	877402	2073-796
28003	Clear	12	3	35	Class 1	FL	85	877403	2073-796
28031	Amber	24	1.5	35	Class 1	FL	85	877401	2073-H50W24V
28032	Blue	24	1.5	35	Class 1	FL	85	877402	2073-H50W24V
✓ 28011	Amber	12	3	35	Class 1	MM	85	877401	2073-796
28012	Blue	12	3	35	Class 1	MM	85	877402	2073-796
28014	Green	12	3	35	Class 1	MM	85	877404	2073-796
<b>High Profile</b>									
✓ 28100	Amber	12	6	70	Class 1	PM	170	134-1-A	2073-796
28101	Blue	12	6	70	Class 1	PM	170	134-1-B	2073-796
28105	Amber	24	3	70	Class 1	PM	170	134-1-A	2073-H50W24V
28106	Blue	24	3	70	Class 1	PM	170	134-1-B	2073-H50W24V

✓ = Top Seller | MM = Magnetic Mount | PM = Permanent Mount | FL = Flange Mount

**SWS**

eclipse

At just 2" in height, the new Eclipse mini lightbar from SWS is one of the slimmest profile lights on the market.

Despite its slim profile, it sacrifices nothing in regards to visibility, durability, and reliability.

- Ultra efficient LEDs and dual-beam optics drive it beyond SAE Class 1 standards for omni-directional devices.
- Its precision molded outer dome and die-cast aluminum base protect the critical electrical components from unforgiving environments.

The wide selection of colors, mounting options, and unparalleled technical features ensure that there is an Eclipse for your application.



NEW!

# ECLIPSE 10" LED MINI LIGHTBARS

## FLEET PLUS



16610



A  
LED



Switch 766163  
(sold separately)



16616

- BatteryCheck™
- AutoDim™
- Synchronization
- Zero EMI



(definitions refer to page 2)

### Features

- **LOW 2 INCH PROFILE**
- SAE J845 (2013) Class 1 and CA 13 requirements
- Rugged Polycarbonate Dome and Lenses with UV inhibitors
- Heavy Duty Die-cast E-Coated Aluminum Base
- Permanent Mount & 1"NPT Standard
- AutoDim™ & Synchronization not available in magnetic mount or vacuum magnetic mount versions

### Available Colors

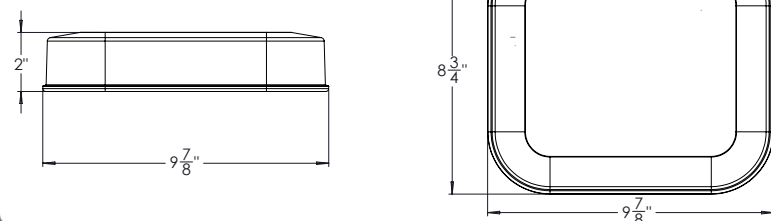


### Recommended Mounting Solution

(sold separately - See page 64 for more options)



### Dimensions



Available Models								
Part #	Dome/Flash	Vdc	Amps	Lumens	SAE	Mounting	# Patterns	Replacement Dome
✓ 16610	Amber / Amber	12-24	0.3-3.0	2280	Class 1	PM	17	877209A
16611	Blue / Blue	12-24	0.3-3.0	684	Class 1	PM	17	877209B
16612	Clear / White	12-24	0.3-3.0	2280	Class 1	PM	17	877209C
16613	Green / Green	12-24	0.3-3.0	1748	-	PM	17	877209G
16615	Red / Red	12-24	0.3-3.0	1026	Class 1	PM	17	877209R
✓ 16616	Clear / Amber	12-24	0.3-3.0	2280	Class 1	PM	17	877209C
16617	Clear / Blue	12-24	0.3-3.0	684	Class 1	PM	17	877209C
16618	Clear / Green	12-24	0.3-3.0	1748	-	PM	17	877209C
16619	Clear / Red	12-24	0.3-3.0	1026	Class 1	PM	17	877209C

✓ = Top Seller | PM = Permanent Mount

NEW!

# ECLIPSE 10" LED MINI LIGHTBARS

## FLEET PLUS



16610M

A  
LED



16616M

A  
LED



16610V



16616V

A  
LED



16610S



16616S

Available Models									Replacement Parts	
Part #	Dome/Flash	Vdc	Amps	Lumens	SAE	Mounting	# Patterns		Dome	Replacement Mag
✓ 16610x	Amber / Amber	12	0.3-3.0	2280	Class 1	x	17		877209A	200107
16611x	Blue / Blue	12	0.3-3.0	684	Class 1	x	17		877209B	200107
16612x	Clear / White	12	0.3-3.0	2280	Class 1	x	17		877209C	200107
16613x	Green / Green	12	0.3-3.0	1748	-	x	17		877209G	200107
16615x	Red / Red	12	0.3-3.0	1026	Class 1	x	17		877209R	200107
✓ 16616x	Clear / Amber	12	0.3-3.0	2280	Class 1	x	17		877209C	200107
16617x	Clear / Blue	12	0.3-3.0	684	Class 1	x	17		877209C	200107
16618x	Clear / Green	12	0.3-3.0	1748	-	x	17		877209C	200107
16619x	Clear / Red	12	0.3-3.0	1026	Class 1	x	17		877209C	200107

✓ = Top Seller | Replace x with M for Magnetic Mount, V for Vacuum Magnetic Mount or S for Suction cup Mount

# 16" LED MINI LIGHTBARS FLEET PLUS



### Features

- **Patented 90 LED configuration**
- SAE J845 (2013) Class 1 and CA 13 requirements
- Premium optics, extruded aluminum base with T-slot mounting, polycarbonate outer dome and lens
- Magnetic mount and vacuum magnetic mount versions available
- AutoDim™ and Synchronization not available in magnetic mount versions
- CSA Approved
- \* Vacuum mag mount not recommended for aluminum body trucks

- **BatteryCheck™**
- **AutoDim™**
- **Synchronization**
- **Zero EMI**   
(No radio interference)  
(definitions refer to page 2)

### Available Colors



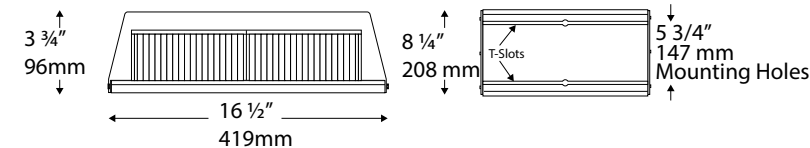
### Recommended Mounting Solution

(sold separately - See page 64 for more options)

**98012** 16" Mini lightbar Mounting Plate  
**98014** Mounting Plate Riser



### Dimensions



Available Models									
Part #	Dome/Lens/Flash	Vdc	Amps	Lumens	SAE	Mounting	CSA	# Patterns	Replacement Dome
✓ 16310	Clear/Amber/Amber	12-24	0.8-3	2700	Class 1	PM	✓	23	877226
✓ 16311	Amber/Clear/Amber	12-24	0.8-3	2700	Class 1	PM	✓	23	877227
✓ 16338	Clear/Clear/Amber	12-24	0.8-3	2700	Class 1	PM	✓	23	877226
✓ 16312	Clear/Amber/Amber	12	0.8-3	2700	Class 1	MM	✓	23	877226
✓ 16313	Amber/Clear/Amber	12	0.8-3	2700	Class 1	MM	✓	23	877227
16349	Clear/Amber/Amber	12	0.8-3	2700	Class 1	VM	✓	23	877226
16350	Amber/Clear/Amber	12	0.8-3	2700	Class 1	VM	✓	23	877227
16351	Clear/Clear/Amber	12	0.8-3	2700	Class 1	VM	✓	23	877227

✓ = Top Seller | MM = Magnetic Mount | VM = Vacuum Mount

# 16" LED MINI LIGHTBARS FLEET



### Features

- **Patented 90 LED configuration**
- SAE J845 (2013) Class 1 and CA13
- BatteryCheck™ alerts you to critically low battery voltage
- Premium optics, extruded aluminum base with T-slot mounting, polycarbonate outer dome and lens
- Optional magnet mount conversion kit 96011
- CSA Approved

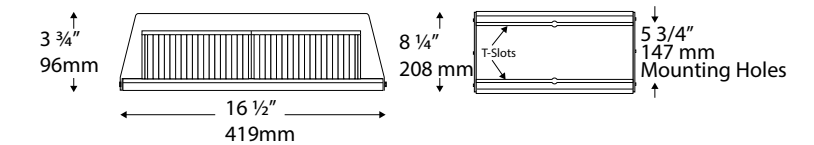
### Recommended Mounting Solution

(sold separately - See page 64 for more options)

**98012** 16" Mini lightbar Mounting Plate  
**98014** Mounting Plate Riser



### Dimensions



Available Models									
Part #	Dome/Lens	Vdc	Amps	Lumens	SAE	Mounting	CSA	# Patterns	Replacement Dome
✓ 16211	Amber/Clear	12-24	0.8-3	2700	Class 1	PM	✓	23	877227
16214	Clear/Amber	12-24	0.8-3	2700	Class 1	PM	✓	23	877226

✓ = Top Seller | PM = Permanent Mount

# DUAL COLOR LED MINI LIGHTBARS

## FLEET **PLUS**

# DUAL COLOR LED MINI LIGHTBARS

## FLEET



**Switch 766171**  
(sold separately)



### Common Color Combinations



### Features

- SAE J845 (2013) Class 2
- Premium optics, extruded aluminium base with T-slot mounting, polycarbonate outer dome and lens
- User selectable flash patterns (23)
- Other color combinations available upon request
- CSA Approved

• **AutoDim™**  
(definitions refer to page 2)

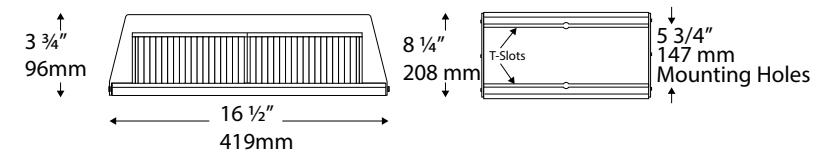


### Recommended Mounting Solution

(sold separately - See page 64 for more options)



### Dimensions



Available Models									
Part #	Dome/Lens/Flash	Vdc	Amps	Lumens	SAE	Mounting	CSA	# Patterns	Replacement Dome
16393	Clear/Clear/R-W	12-24	1.1-2.8	R:1590 W:3192	Class 2	PM	✓	23	877226
✓ 16394	Clear/Clear/A-W	12-24	1.1-2.8	A:1590 W:3192	Class 2	PM	✓	23	877226
16395	Clear/Clear/A-R	12-24	1.1-2.8	A: 1590 R: 1590	Class 2	PM	✓	23	877226
16398	Clear/Clear/A-G	12-24	1.1-2.8	A:1590 G:2445	Class 2	PM	✓	23	877226
✓ 16399	Clear/Clear/A-B	12-24	1.1-2.8	A:1590 B:1120	Class 2	PM	✓	23	877226

✓ = Top Seller | PM = Permanent Mount



**Switch 766152**  
(sold separately)

### Common Color Combinations



### Recommended Mounting Solution

(sold separately - See page 64 for more options)

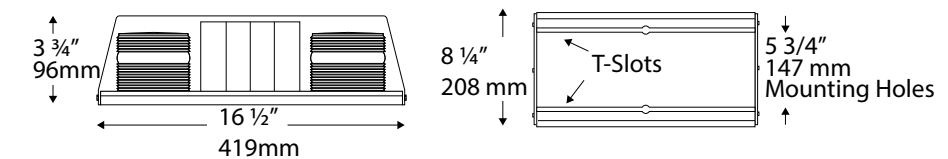
### Features

- Premium fresnel optics, extruded aluminium base with T-slot mounting and polycarbonate outer dome with UV inhibitors
- Other color combinations available upon request

**98012** 16" Mini lightbar Mounting Plate  
**98014** Mounting Plate Riser



### Dimensions

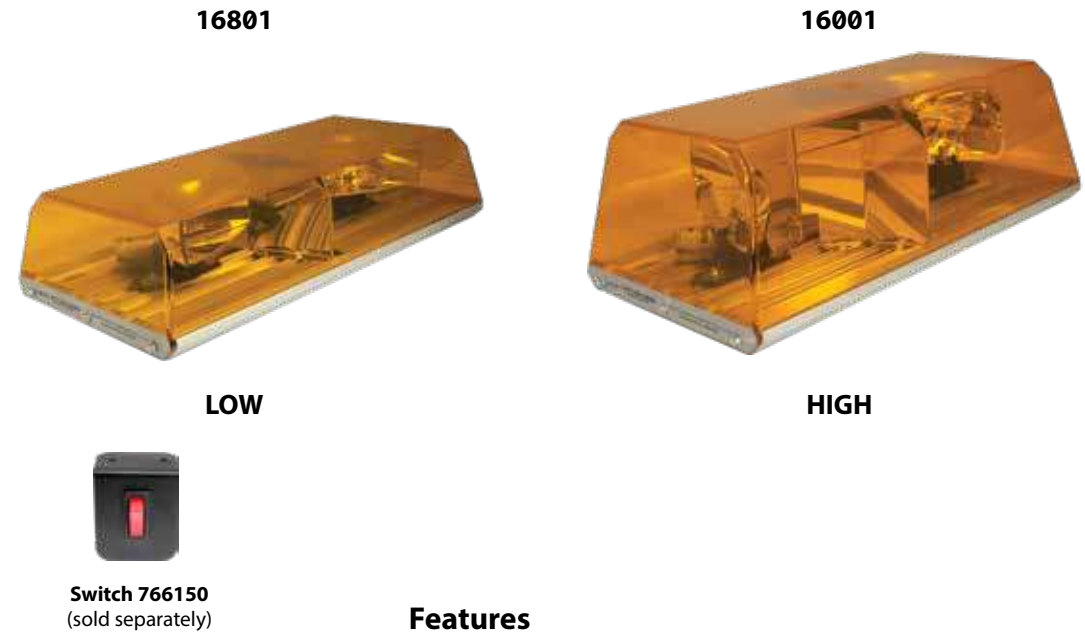
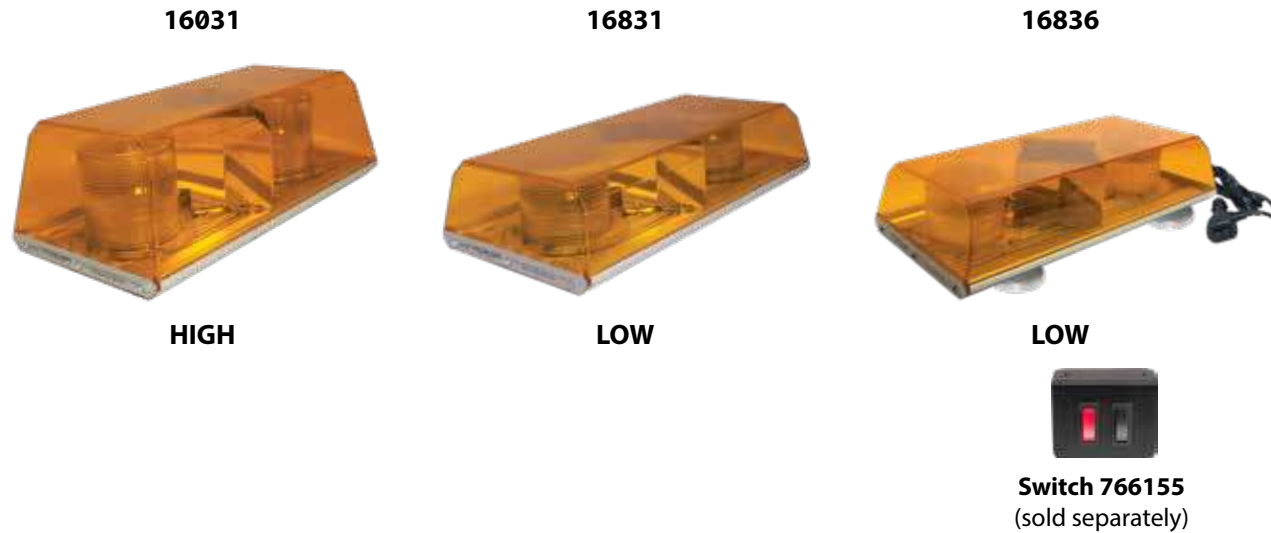


Available Models										Replacement Parts	
Part #	Dome/Lens/Flash	Vdc	Amps	Lumens	SAE	Mounting	# Patterns	Dome	Lens		
✓ 16931	Clear/Clear/A-B	12-24	1.3-1.9	A:908 B:640	Class 2	PM	3	877226	877460		

✓ = Top Seller | PM = Permanent Mount

**LED MINI LIGHTBARS**  
FLEET

**ROTATOR MINI LIGHTBARS**  
FLEET



**Features**

- SAE J845 (2013) Class 2 (Photometrics only)
- Premium fresnel optics, extruded aluminium base with T-slot mounting and polycarbonate outer dome with UV inhibitors
- Fully encapsulated electronics for rugged durability against vibration and moisture
- User selectable flash patterns; single (60 FPM), double (107 FPM) or quad (160 FPM)

**Features**

- Exceeds SAE J845 (2013) Class 1
- Impact resistant polycarbonate dome with UV inhibitors
- Extruded aluminium base with T-Slot Mounting
- Gear driven rotator assembly with stainless steel bearings and vibration resistant mounts for long life
- Refer to replacement parts for replacement bulbs (pg 71)

**Available Colors**



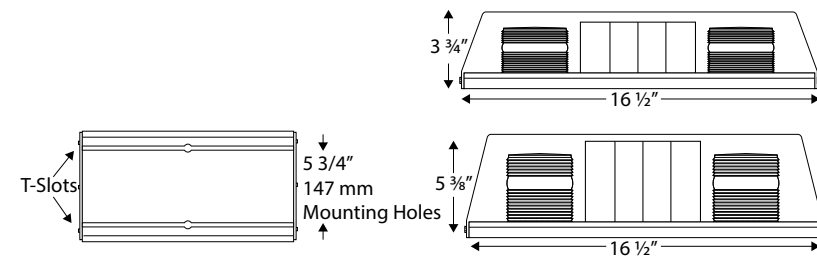
**Available Colors**



**Recommended Mounting Solution**  
(sold separately - See page 64 for more options)



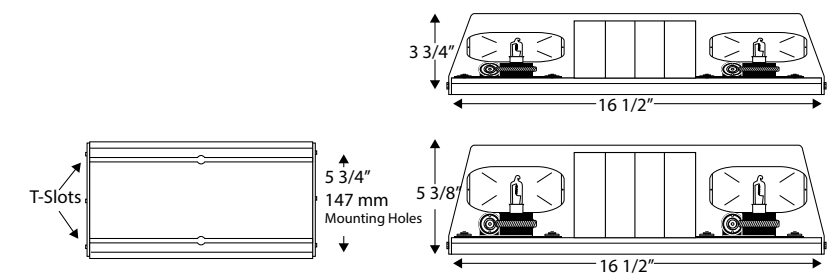
**Dimensions**



**Recommended Mounting Solution**  
(sold separately - See page 64 for more options)



**Dimensions**



Available Models								Replacement Parts	
Part #	Dome/Lens	Vdc	Amps	Lumens	SAE	Mounting	# Patterns	Dome	Lens
<b>Low Profile</b>									
✓ 16831	Amber/Clear	12-24	0.5-0.8	912	Class 2	PM	3	877227	877349
16832	Blue/Clear	12-24	0.5-0.8	912	Class 2	PM	3	877228	877349
✓ 16836	Amber/Clear	12	0.5-0.8	912	Class 2	MM	3	877227	877349
<b>High Profile</b>									
✓ 16031	Amber/Clear	12-24	0.5-0.8	456	Class 2	PM	3	877211	333-C
16033	Blue/Clear	12-24	0.5-0.8	456	Class 2	PM	3	877212	333-C
✓ 16032	Amber/Clear	12	0.5-0.8	456	Class 2	MM	3	877211	333-C

✓ = Top Seller | MM = Magnetic Mount | PM = Permanent Mount

Available Models								Replacement Parts	
Part #	Dome	Vdc	Amps	Watts	SAE	Mounting	FPM	Dome	Rotator Assembly
<b>Low Profile</b>									
✓ 16801	Amber	12	8	100	Class1	PM	170	877227	920-98
16802	Blue	12	8	100	Class1	PM	170	877228	920-98
16803	Red	12	8	100	Class1	PM	170	877223	920-98
16806	Amber	12	8	100	Class1	MM	170	877227	920-98
<b>High Profile</b>									
✓ 16001	Amber	12	6	70	Class1	PM	170	877211	920-0
16006	Amber	12	6	70	Class1	MM	170	877211	920-0

✓ = Top Seller | PM = Permanent Mount | MM = Magnetic Mount



# LIGHTBARS



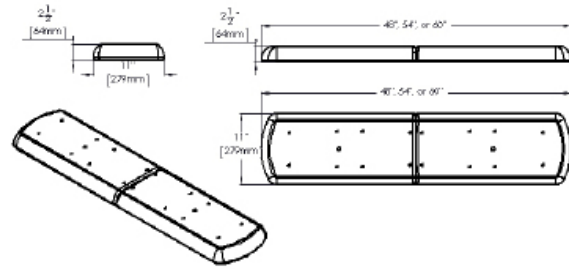
## Features

- SAE J845 (2013) Class 1, CA13, CE, and R10
- Upgraded optics to improve brightness and visibility
- 48 flash patterns
- Other configurations available
- Aluminum chassis, polycarbonate base and lens
- Range of strap mounting accessory kits
- Standard nine conductor wiring harness
- Dimensions: 48"L x 2.5"H x 11"W



54"L x 2.5"H x 11"W  
60"L x 2.5"H x 11"W

## Dimensions



## Available Colors



(Other mounting kits available)

Lightbar Mounting Kits			
Part #	Car Models		
98022	Ford Escape/Explore '12-'17		
98054	Headache Rack		
98053	Ford Truck 1/2T '04-'09		
98054	Dodge Truck 1/2T-1T '02-'09	GM Truck 1/2T-1T 99-'09'	
98055	Ford Truck 3/4T-1T '99-'09		
98056	Ford Crown Victoria '98-'12		
98057	Ford Truck 1/2T Crew Cab '97		
98058	Ford Truck 1/2T '10-'14		
98059	Ford Super Duty Truck '10-'14		
98060	GM Truck 1/2T '10-'14		
98061	Dodge Charger '07-'10		
98062	Dodge Charger '11-'14	Ford PPV/SUV '12-'14	Chevy Caprice '12-'14
98063	Roof Rack with Nylon Feet		
98074	GM Truck 1/2T 2017		
98081	Roof Rack with Nylon Feet		

# LIGHTBARS



48" Bars							
	Part #	Vdc	Amps	LEDs	WL	AL	STT
	26040	12-24	7.2	16	-	-	-
	26041	12-24	10.8	16	✓	✓	-



54" Bars							
	Part #	Vdc	Amps	LEDs	WL	AL	STT
	26050	12-24	7.2	16	-	-	-
	26051	12-24	11	16	✓	✓	✓
	26052	12-24	6.5	10	✓	-	✓



60" Bars							
	Part #	Vdc	Amps	LEDs	WL	AL	STT
	26060	12-24	7.2	16	-	-	-
	26061	12-24	11	16	✓	✓	✓

✓ = Top Seller | WL= Work Light | AL= Alley Light | STT= Stop Tail Turn

**NEW!**

**PERIMETER LIGHTING**  
TITAN Series



82006

**TITAN**  
S E R I E S



Switch 766163  
(sold separately)

**Features**

- SAE J595 (2014) Class 1
- Electrophoretic Painted (E-coat) die-cast aluminum base or impact resistant polycarbonate (PC)
- Fully encapsulated waterproof housing
- 4 mounting bracket options

- **5 Year Warranty**
  - **Synchronization**
  - **Dual Row - 2x the LEDs**
- (definitions refer to page 2)*

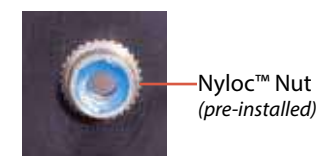
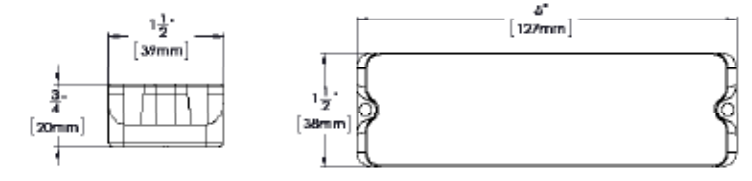
**Available Colors**



**Recommended Mounting Solution**  
(sold separately - See page 64 for more options)



**Dimensions**



Part #	Vdc	Amps	#of LEDs	Lens Color	LED Color	Flash Patterns	Housing
82001	12-24	0.3A	12	CLR	Blue	13	Die-cast
82002	12-24	0.3A	12	CLR	White	13	Die-cast
82003	12-24	0.3A	12	CLR	Green	13	Die-cast
82005	12-24	0.3A	12	CLR	Red	13	Die-cast
✓82006	12-24	0.3A	12	CLR	Amber	13	Die-cast
82001PC	12-24	0.3A	12	CLR	Blue	13	Polycarbonate
✓82002PC	12-24	0.3A	12	CLR	White	13	Polycarbonate
82003PC	12-24	0.3A	12	CLR	Green	13	Polycarbonate
82005PC	12-24	0.3A	12	CLR	Red	13	Polycarbonate
82006PC	12-24	0.3A	12	CLR	Amber	13	Polycarbonate

- 98076 Single Bracket
- 98077 Double Horizontal
- 98078 Double Vertical
- 98079 Triple Vertical

\* All mounting brackets are supplied with stainless steel #8-32 socket head cap screws and have pre-installed Nyloc™ nuts for ease of installation.

✓ = Top Seller PC = Polycarbonate

**NEW!**

**PERIMETER LIGHTING**  
TITAN Series - DUAL Color



82026

**TITAN**  
S E R I E S



Switch 766163  
820xx series  
(sold separately)



Switch 766152  
821xx series  
(sold separately)

**Features**

- SAE J595 (2014) Class 2
- Electrophoretic Painted (E-coat) die-cast aluminum base or impact resistant polycarbonate (PC)
- 821xx series allows for individual color control
- 4 mounting bracket options
- Other color combinations available upon request
- See mounting solutions and dimensions on opposite page

- **5 Year Warranty**
- **Synchronization**
- **Dual Row - 2x the LEDs**

**Common Color Combinations**



Part #	Vdc	Amps	Lens Color	LED Color	Flash Patterns	Housing	Color Control
✓82016	12-24	0.3A	CLR	Amber/Blue	13	Die-cast	-
✓82026	12-24	0.3A	CLR	Amber/White	13	Die-cast	-
82036	12-24	0.3A	CLR	Amber/Green	13	Die-cast	-
82056	12-24	0.3A	CLR	Amber/Red	13	Die-cast	-
82015	12-24	0.3A	CLR	Red/Blue	13	Die-cast	-
✓82016PC	12-24	0.3A	CLR	Amber/Blue	13	Polycarbonate	-
✓82026PC	12-24	0.3A	CLR	Amber/White	13	Polycarbonate	-
82036PC	12-24	0.3A	CLR	Amber/Green	13	Polycarbonate	-
82056PC	12-24	0.3A	CLR	Amber/Red	13	Polycarbonate	-
82015PC	12-24	0.3A	CLR	Red/Blue	13	Polycarbonate	-
✓82116	12-24	0.3A	CLR	Amber/Blue	13	Die-cast	✓
✓82126	12-24	0.3A	CLR	Amber/White	13	Die-cast	✓
82136	12-24	0.3A	CLR	Amber/Green	13	Die-cast	✓
82156	12-24	0.3A	CLR	Amber/Red	13	Die-cast	✓
82115	12-24	0.3A	CLR	Red/Blue	13	Die-cast	✓
✓82116PC	12-24	0.3A	CLR	Amber/Blue	13	Polycarbonate	✓
✓82126PC	12-24	0.3A	CLR	Amber/White	13	Polycarbonate	✓
82136PC	12-24	0.3A	CLR	Amber/Green	13	Polycarbonate	✓
82156PC	12-24	0.3A	CLR	Amber/Red	13	Polycarbonate	✓
82115PC	12-24	0.3A	CLR	Red/Blue	13	Polycarbonate	✓

✓ = Top Seller PC = Polycarbonate

## PERIMETER LIGHTING

### Surface Mounts

#### Features

- Synchronizable for simultaneous or alternate flashing
- Die-cast base
- Tough polycarbonate lens
- Full rubber seals
- Mounting brackets are available

#### 8007x Series



Switch 766175  
(sold separately)

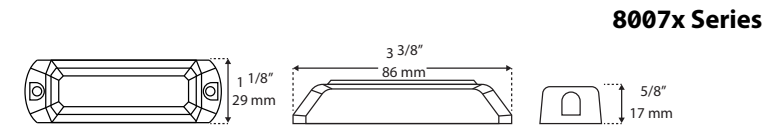
#### 80058



#### 80059



#### Dimensions



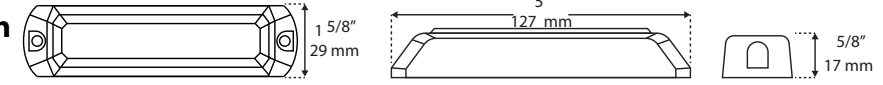
#### 8007x Series

#### Available Colors

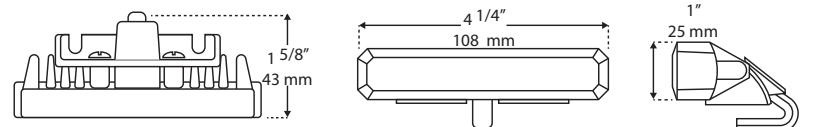


#### Recommended Mounting Solution

(sold separately - See page 64 for more options)



#### 80058



#### 80059

Available Models									
Part #	Vdc	Amps	LED Color	# of LEDs	Mounting	# Flash Patterns	Dimension	SAE	CA 13
80058	12-24	0.5	Amber	6	Surface	19	5" L x 5/8" H x 1 5/8" D	1	✓
✓80059	12-24	0.5	Amber	6	Hood Bracket	19	4 1/4" L x 1 5/8" H x 1" D	1	✓
80065	12-24	0.5	Red	6	Surface	19	5" L x 5/8" H x 1 5/8" D	1	✓
80066	12-24	0.7	Blue	6	Surface	19	5" L x 5/8" H x 1 5/8" D	1	✓
80071	12-24	0.3	Amber	3	Surface	12	3 3/8" L x 1 1/8" H x 5/8" D	1	
✓80072	12-24	0.4	Blue	3	Surface	12	3 3/8" L x 1 1/8" H x 5/8" D	2	
✓80073	12-24	0.4	Green	3	Surface	12	3 3/8" L x 1 1/8" H x 5/8" D	N/A	
80074	12-24	0.3	Red	3	Surface	12	3 3/8" L x 1 1/8" H x 5/8" D	1	✓
80075	12-24	0.4	White	3	Surface	12	3 3/8" L x 1 1/8" H x 5/8" D	2	
✓80080	12-24	0.7	White	6	Surface	19	5" L x 5/8" H x 1 5/8" D	1	
80081	12-24	0.7	AM/WH	6	Surface	19	5" L x 5/8" H x 1 5/8" D	N/A	
80084	12-24	0.7	AM/BL	6	Hood Bracket	19	5" L x 5/8" H x 1 5/8" D	N/A	

✓ = Top Seller

## PERIMETER LIGHTING

### Surface Mounts

#### Features

- **Low profile** for discrete mounting
- Synchronizable for simultaneous or alternate flashing
- Die-cast base
- Tough polycarbonate lens
- Full rubber seals
- Mounting brackets are available



Switch 766175  
sold Separately

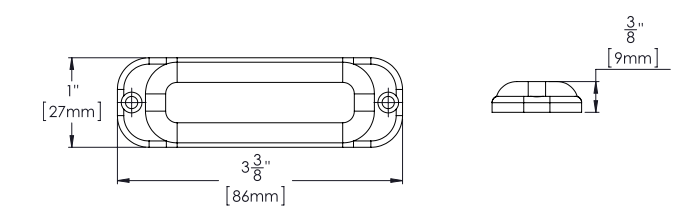


#### 80271



#### 80258

#### Dimensions



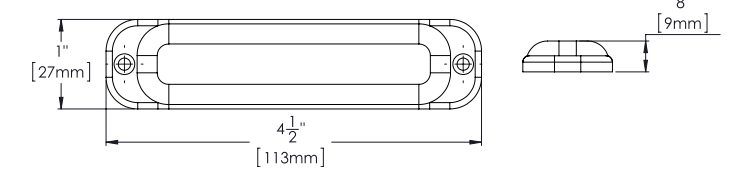
#### 3 LEDs

#### Available Colors



#### Recommended Mounting Solution

(sold separately - See page 64 for more options)



#### 6 LEDs

Available Models									
Part #	Vdc	Amps	LED Color	# of LEDs	Mounting	# Flash Patterns	Dimension	SAE	CA 13
✓80271	12-24	0.4	Amber	3	Surface	12	3 3/8" L x 1" H x 3/8" D	1	✓
80272	12-24	0.4	Blue	3	Surface	12	3 3/8" L x 1" H x 3/8" D	1	✓
80273	12-24	0.4	Green	3	Surface	12	3 3/8" L x 1" H x 3/8" D	N/A	
80274	12-24	0.3	Red	3	Surface	12	3 3/8" L x 1" H x 3/8" D	1	✓
80275	12-24	0.4	White	3	Surface	12	3 3/8" L x 1" H x 3/8" D	1	✓
✓80258	12-24	0.6	Amber	6	Surface	19	4 1/2" L x 1" H x 3/8" D	1	✓
80266	12-24	0.6	Blue	6	Surface	19	4 1/2" L x 1" H x 3/8" D	1	✓
80265	12-24	0.4	Red	6	Surface	19	4 1/2" L x 1" H x 3/8" D	1	✓
80280	12-24	0.6	White	6	Surface	19	4 1/2" L x 1" H x 3/8" D	1	✓
✓80281	12-24	0.6	AM/WH	6	Surface	19	4 1/2" L x 1" H x 3/8" D	1	
80278	12-24	0.5	Red/BL	6	Surface	19	4 1/2" L x 1" H x 3/8" D	1	
80090	L Brackets for 3 LED								
80291	L Brackets for 6 LED								

✓ = Top Seller

**NEW!**

## PERIMETER LIGHTING Dual Function LED Strobes

### Features

- SAE J595 (2014) Class 1 & CA13 compliant warning light
- SAE J592 (marker light) and SAE 2042 (clearance light) compliant
- Central 6 LED warning light with perimeter steady burn light (Red or White)
- Synchronizable warning light control and operation
- Die-cast aluminum housing with polycarbonate front lens and rubber seals



### Dimensions



Available Models									
Part #	Vdc	Amps	Warn Color	Halo Color	Mounting	# Flash Patterns	SAE	CA13	Dimension
83062	12-24	0.5	Amber	White	Surface	19	Class 1	✓	5 1/4" L x 7/8" H x 2" D
83069	12-24	0.5	Amber	Red	Surface	19	Class 1	✓	5 1/4" L x 7/8" H x 2" D

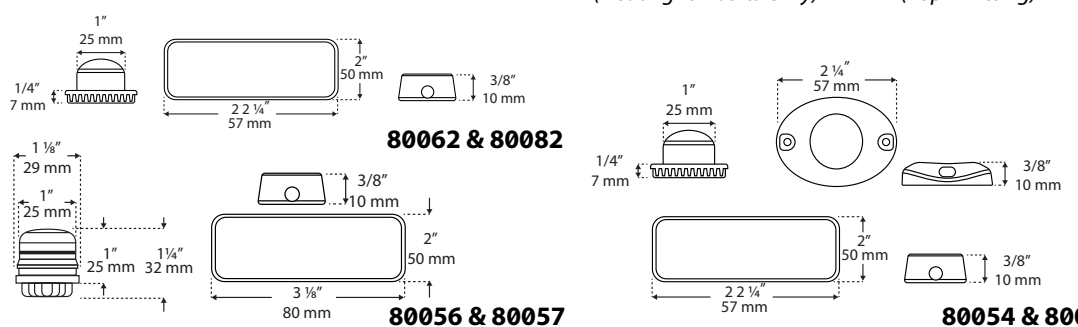
## Headlight Inserts

### Features

- Synchronizable for simultaneous or alternate flashing
- Aluminium base for optimum thermal transfer
- In-line driver and extension cable
- Easy installation
- Bezel can be bought separately (Part# 866100)



### Dimensions



Available Models					
Part #	Vdc	Amps	LED Color	# of LEDs	Mounting
<b>Waterproof Connector</b>					
✓ 80054W	12-24	1.8	White	6	Screw
✓ 80055W	12-24	1.8	Amber	6	Screw
80056W	12-24	1.8	White	6	Pop-in
80057W	12-24	1.8	Amber	6	Pop-in
✓ 80062W	12-24	1.8	White	9	Screw
✓ 80082W	12-24	1.8	Amber	9	Screw
	77800	12' extension cable			

✓ = Top Seller

## PERIMETER LIGHTING Self Contained LED Strobes

### Features

- SAE J595 (2014) Class 1
- Waterproof grommet mount
- Can be synchronizable in alternating patterns
- Includes pigtail and grommet
- **Oval mounting option (98601) sold separately**



Available Models			
Part #	VDC	LED Color	Dimensions
<b>Round</b>			
✓ 80010	12-24	Red	4" D x 1 3/4" H
✓ 80011	12-24	Amber	4" D x 1 3/4" H
80012	12-24	Blue	4" D x 1 3/4" H
80013	12-24	White	4" D x 1 3/4" H
<b>Oval</b>			
✓ 80014	12-24	Red	6 3/8" L x 2 1/8" x 1 3/4" H
✓ 80015	12-24	Amber	6 3/8" L x 2 1/8" x 1 3/4" H
80016	12-24	Blue	6 3/8" L x 2 1/8" x 1 3/4" H
80017	12-24	White	6 3/8" L x 2 1/8" x 1 3/4" H

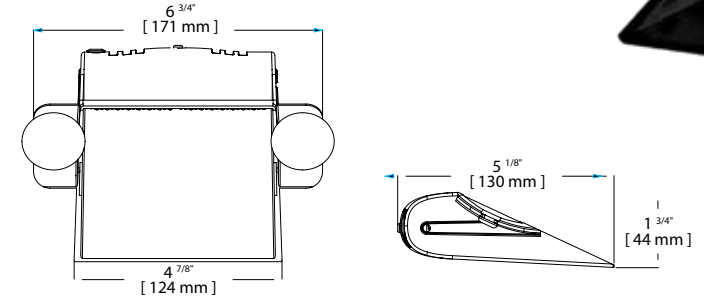
## LED Auxiliary

### Features

- SAE J595 (2014) Class 1 & CA13
- 19 selectable flash patterns
- Angle adjustable light output
- Suction cup mounting feature with 12 ft cigarette cord
- Split-color options



### Dimensions



Available Models					
Part #	Vdc	Amps	LED Color	# of Flash Patterns	Dimension
✓ 80076	12	0.5	Amber	19	5 1/8" L x 1 3/4" H x 6 3/4" W
✓ 80077	12	0.5	Green	19	5 1/8" L x 1 3/4" H x 6 3/4" W
80078	12	0.5	Red/Blue	19	5 1/8" L x 1 3/4" H x 6 3/4" W
80079	12	0.5	Red	19	5 1/8" L x 1 3/4" H x 6 3/4" W
80083	12	0.5	Amber/White	19	5 1/8" L x 1 3/4" H x 6 3/4" W

✓ = Top Seller



# TITAN

## SERIES

**Hermetically Sealed Heads:** Ultrasonically welding the lens to the base and sealing the wire exit hole, allows for a waterproof and dust proof seal with an IP69 rating.

**Field Replaceable Heads:** The light modules are field replaceable with the spring clip fastening system and connectorized wire harness.

**Waterproof Connectors:** The high quality TE Deutsch connector provides superior waterproofing and a secure connection for all the lighthead and main power lines.

**Cargo Lighting & AutoDim:** Fleet Plus models feature an on board photosensor which will automatically dim the lighthead under low ambient light levels. The Fleet Plus models also include 2 white cargo lights to provide some illumination to the area directly behind the traffic director.

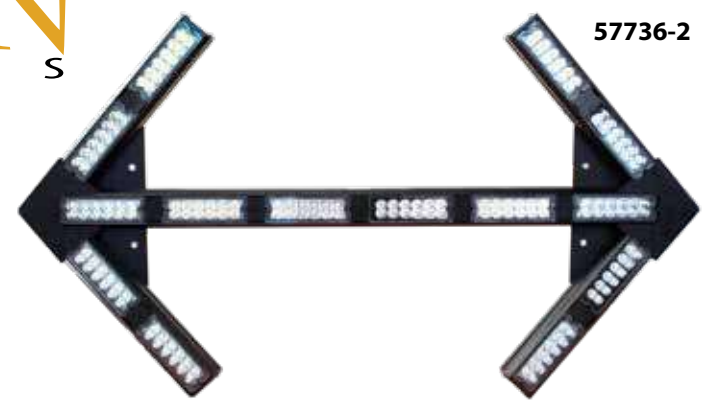
**Unparalleled Light Output:** The lighthead produce a blistering 4750cd warning signal per module, while consuming very little power. Furthermore, the projection optics allow the light to be seen well in advance of the vehicle.

**SWS**

NEW!

# 57000 SERIES TRAFFIC ARROWS FLEET

## TITAN S E R I E S



### Control Box & Cable Options (sold separately)



77501



**Main Power Cable**  
To be used with 77501  
20' - 77260  
30' - 77261  
40' - 77262  
50' - 77263



**77504 Outdoor  
Rated Switch Box**



**Main Power Cable**  
To be used with 77504  
10' - 77270  
20' - 77271  
30' - 77272  
40' - 77273

### Features

- The hermetically sealed light-head will not be affected by outside factors such as temperature, humidity & condensation
- NO DOWN TIME – heads are field replaceable in less than one minute!
- SWS pressure clip system ensure that no special tools are ever required
- A choice of control platforms – cab-mounted slim-line control box or NEW outdoor rated switch box
- All electrical connections are made using the industry known and trusted DTM series connections from TE
- Adapter kit available for use on existing wire installations (77280)
- Stop-Turn lighting kits available (96050)

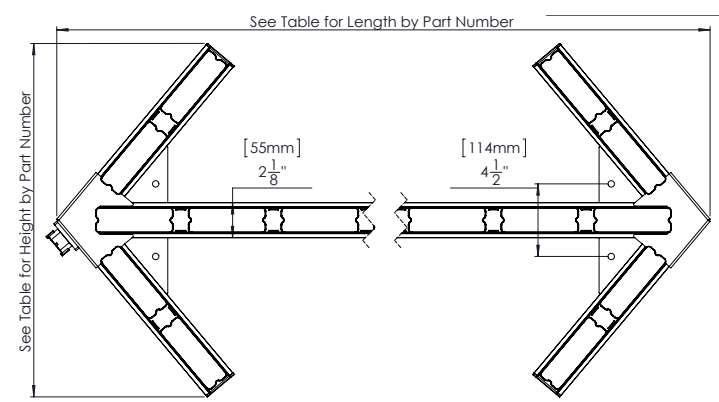


NEW!

# 57000 SERIES TRAFFIC ARROWS FLEET

## TITAN S E R I E S

### Dimensions



### Available Colors



Part #	Vdc	Amps	# of Modules in Shaft	# of Modules per Arm	Flash Patterns	Length	Height
57724-1	12	1.8A	4	1	7	27"	12.5"
57730-1	12	1.8A	5	1	7	32.75"	12.5"
57730-2	12	2.4A	5	2	7	32.75"	22"
✓ 57736-1	12	2.1A	6	1	7	38.5"	12.5"
✓ 57736-2	12	2.7A	6	2	7	38.5"	22"
57736-3	12	3.3A	6	3	7	38.5"	30.5"
✓ 57742-1	12	2.4A	7	1	7	44.25"	12.5"
✓ 57742-2	12	3.0A	7	2	7	44.25"	22"
57742-3	12	3.6A	7	3	7	44.25"	30.5"
✓ 57748-1	12	2.7A	8	1	7	50"	12.5"
✓ 57748-2	12	3.3A	8	2	7	50"	22"
57748-3	12	3.9A	8	3	7	50"	30.5"
57754-1	12	3.0A	9	1	7	55.75"	12.5"
57754-2	12	3.6A	9	2	7	55.75"	22"
57754-3	12	4.2A	9	3	7	55.75"	30.5"
57760-1	12	3.3A	10	1	7	61.5"	12.5"
57760-2	12	3.9A	10	2	7	61.5"	22"
57760-3	12	4.5A	10	3	7	61.5"	30.5"
57766-1	12	3.3A	11	1	7	67.25"	12.5"
57766-2	12	3.9A	11	2	7	67.25"	22"
57766-3	12	4.5A	11	3	7	67.25"	30.5"
57772-1	12	3.6A	12	1	7	73"	12.5"
57772-2	12	4.2A	12	2	7	73"	22"
57772-3	12	4.8A	12	3	7	73"	30.5"

✓ = Top Seller

NEW!

# 57000 SERIES TRAFFIC DIRECTORS FLEET PLUS

## TITAN SERIES

57436



### Features

- The hermetically sealed light-head will not be affected by outside factors such as temperature, humidity & condensation
- NO DOWN TIME – heads are field replaceable in less than one minute!
- SWS pressure clip system ensure that no special tools are ever required
- All electrical connections are made using the industry known and trusted DTM series connections from TE
- 3 T-slots for unlimited mounting options (1/4" - 20 hardware included)
- Stop turn kits available (96050)
- For factory installed Stop/Turn indicators, please add a -ST to your FLEETPLUS traffic director part number

- **AutoDim™** 
  - **1 Wire Communication**
  - **Cargo Lighting**
- (definitions refer to page 2)*

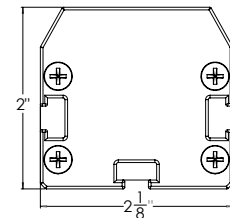


77501 (included)

**Main Power Cable**  
(sold separately)  
20' - 77265  
30' - 77266  
40' - 77267  
50' - 77268



### Dimensions



### Available Colors



Available Models					
Part #	Vdc	Amps	Number of Modules	Flash Patterns	Length
57424	12	1.2A	4	5	23.625"
57430	12	1.5A	5	5	29.375"
✓ 57436	12	1.8A	6	5	35.125"
✓ 57442	12	2.1A	7	5	40.875"
✓ 57448	12	2.4A	8	5	46.625"
57454	12	2.7A	9	5	52.375"
57460	12	3A	10	5	58.125"
57466	12	3.3A	11	5	63.875"
57472	12	3.6A	12	5	69.625"

✓ = Top Seller

NEW!

# 57000 SERIES TRAFFIC DIRECTORS FLEET

## TITAN SERIES

57336



### Features

- The hermetically sealed light-head will not be affected by outside factors such as temperature, humidity & condensation
- NO DOWN TIME – heads are field replaceable in less than one minute!
- SWS pressure clip system ensure that no special tools are ever required
- A choice of control platforms – cab-mounted slim-line control box or NEW outdoor rated switch box
- All electrical connections are made using the industry known, and trusted DTM series connections from TE
- Adapter kit available for use on existing wire installations (77280)
- 3 T-slots for unlimited mounting options (1/4" - 20 hardware included)
- Stop turn kits available (96050)

### Control Box & Cable Options (sold separately)



77501

**Main Power Cable**  
To be used with 77501  
20' - 77260  
30' - 77261  
40' - 77262  
50' - 77263

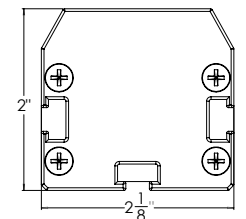


77504 Outdoor Rated  
Switch Box

**Main Power Cable**  
To be used with 77504  
10' - 77270  
20' - 77271  
30' - 77272  
40' - 77273



### Dimensions



### Available Colors



Available Models					
Part #	Vdc	Amps	Number of Modules	Flash Patterns	Length
57324	12	1.2A	4	5	23.625"
57330	12	1.5A	5	5	29.375"
✓ 57336	12	1.8A	6	5	35.125"
✓ 57342	12	2.1A	7	5	40.875"
✓ 57348	12	2.4A	8	5	46.625"
57354	12	2.7A	9	5	52.375"
57360	12	3A	10	5	58.125"
57366	12	3.3A	11	5	63.875"
57372	12	3.6A	12	5	69.625"

✓ = Top Seller

NEW!

## 57000 SERIES SPLIT TRAFFIC ARROWS

FLEET  
TITAN  
SERIES

57824-1



(cable sold separately)

### Features

- The hermetically sealed light-head will not be affected by outside factors such as temperature, humidity & condensation
- NO DOWN TIME – heads are field replaceable in less than one minute!
- SWS pressure clip system ensure that no special tools are ever required
- A choice of control platforms – cab-mounted slim-line control box or NEW outdoor rated switch box
- All electrical connections are made using the industry known, and trusted DTM series connections from TE
- Adapter kit available for use on existing wire installations (77280, power cable only)

### Control Box & Cable Options (sold separately)



77501



**Main Power Cable**  
To be used with 77501  
20' - 77260  
30' - 77261  
40' - 77262  
50' - 77263



**77504 Outdoor Rated Switch Box**



**Main Power Cable & Extension Cable**  
To be used with 77504 & between halves  
10' - 77270  
20' - 77271  
30' - 77272  
40' - 77273

### Available Colors



Available Models							
Part #	Vdc	Amps	# Modules per half	Number of Modules	Flash Patterns	Length	Height
57818-1	12	2.1A	3	1	7	20"	12.5"
57818-2	12	2.7A	3	2	7	20"	22"
57818-3	12	3.3A	3	3	7	20"	30.5"
57824-1	12	2.7A	4	1	7	26"	12.5"
57824-2	12	3.3A	4	2	7	26"	22"
57824-3	12	3.9A	4	3	7	26"	30.5"
57830-1	12	3.3A	5	1	7	31.75"	12.5"
57830-2	12	3.9A	5	2	7	31.75"	22"
57830-3	12	4.5A	5	3	7	31.75"	30.5"
57836-1	12	3.6A	6	1	7	37.5"	12.5"
57836-2	12	4.2A	6	2	7	37.5"	22"
57836-3	12	4.8A	6	3	7	37.5"	30.5"

NEW!

## 57000 SERIES TRAFFIC DIRECTORS

FLEET  
TITAN  
SERIES

57524



(cable sold separately)

### Features

- The hermetically sealed light-head will not be affected by outside factors such as temperature, humidity & condensation
- NO DOWN TIME – heads are field replaceable in less than one minute!
- SWS pressure clip system ensure that no special tools are ever required
- A choice of control platforms – cab-mounted slim-line control box or NEW outdoor rated switch box
- All electrical connections are made using the industry known, and trusted DTM series connections from TE
- 3 T-slots for unlimited mounting options (1/4" - 20 hardware included)
- Adapter kit available for use on existing wire installations (77280, power cable only)

### Control Box & Cable Options (sold separately)



77501



**77504 Outdoor Rated Switch Box**

**Main Power Cable**  
To be used with 77501  
20' - 77260  
30' - 77261  
40' - 77262  
50' - 77263



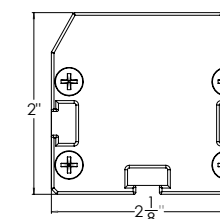
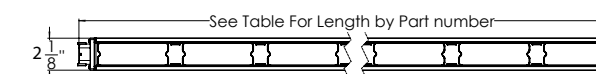
**Main Power Cable & Extension Cable**  
To be used with 77504 & between halves  
10' - 77270  
20' - 77271  
30' - 77272  
40' - 77273



### Available Colors



### Dimensions



Available Models					
Part #	Vdc	Amps	# Modules per half	Flash Patterns	Length
57524	12	2.4A	4	5	23.625"
57530	12	3.0A	5	5	29.375"
57536	12	3.6A	6	5	35.125"
57542	12	4.2A	7	5	40.875"
57548	12	4.8A	8	5	46.625"



**TRAFFIC ARROWS**  
In cab control box

- **BatteryCheck™**
- **Manual Dim**
- **10 Amp Auxiliary**

*(definitions refer to page 2)*

**Features**

- 12-24 Vdc operating range
- Double confirmation of button activation with a visual indicator LED and an internal audible buzzer
- BatteryCheck™ feature utilizes front mounted pattern matrix LEDs, to indicate the vehicles battery level
- Rugged compact design has a front tactile panel with indicator LEDs, an aluminum mounting bracket for above or below universal mounting options, and protected internal circuitry
- Included 10amp. auxiliary channel is independently controllable
- Has both a manual dimming option and cargo light control (for capable products)
- Quick disconnect wiring harness connection for fast installation

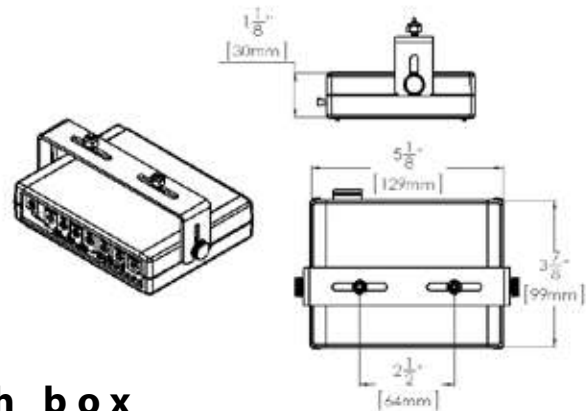


**77501**

**Front**

**Back**

**Dimensions**



**Outdoor rated switch box**

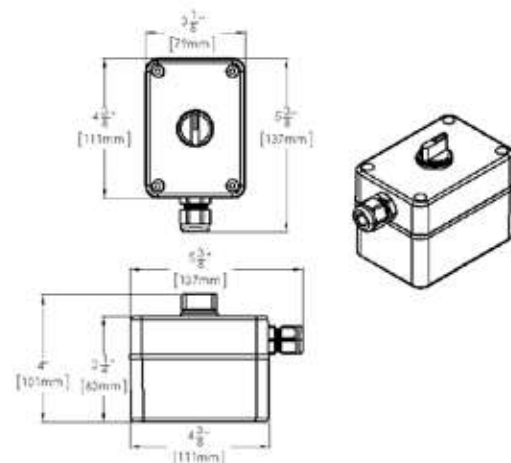
**Features**

- For use with Titan FLEET traffic arrows and traffic directors only.
- 12Vdc operating voltage.
- IP66 rated control box and 5-position switch, for externally mounting the control system
- Industry standard 4 patterns; Left, Right, Bar/Warning, Center Out
- Supplied with a 12" min. power leads, and a connector harness for quick installation to the traffic directing device.
- Includes stainless steel mounting hardware



**77504**

**Dimensions**



**TRAFFIC ARROWS**  
54000 Series

- **AutoDim™**
- **1 wire communication**

*(definitions refer to page 2)*



**77501**  
Included with 54000



**77504 Outdoor Rated Switch Box**  
Included with 54002

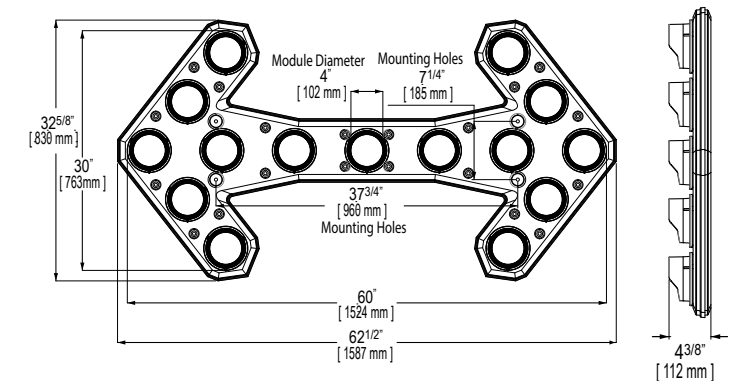
**Main Power Cable**  
To be used with 77501 (sold separately)  
20' - 77250  
30' - 77251  
40' - 77252  
50' - 77253



**Main Power Cable**  
To be used with 77504 (sold separately)  
10' - 77270  
20' - 77271  
30' - 77272  
40' - 77273



**Dimensions**



**54000**



**Available Models**

Part #	Vdc	Mounting	Module Color	Amps	Lumens	# Patterns	Weight	Control Box / Switch
54000	12	PM	Amber	5.25	4680 max	7	25lbs	77501
54002	12	PM	Amber	5.25	4680 max	4	25lbs	77504

**BACK UP ALARMS**  
Audio

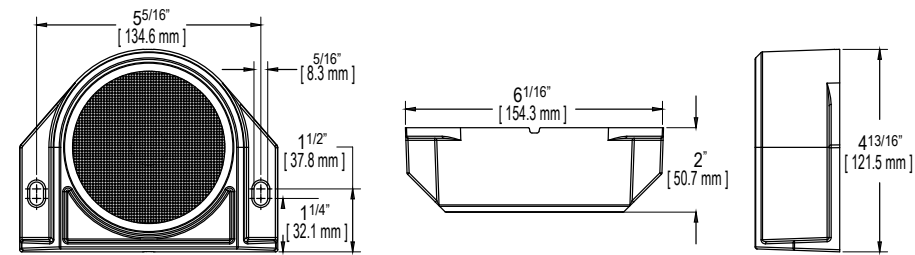
**Features**

- 12-48Vdc
- User selectable single, dual or steady tone (except 99901)
- Selectable tone intensity (except 99901)
- 6" wire lead connection
- Stainless steel diffuser screen
- Fully encapsulated electronics
- Water resistant speaker cone

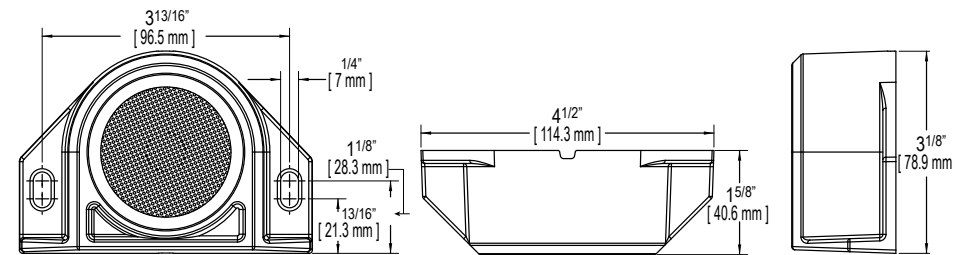


**61 Series**

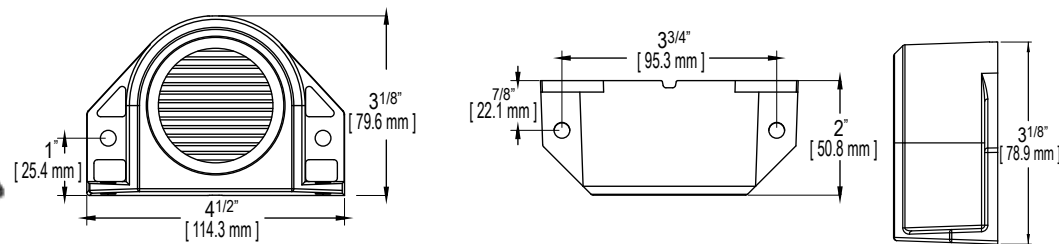
**Dimensions**



**60 Series**



**62 & 99901 Series**



Available Models					
Part #	Housing Material	Single Tone dB Levels	Dual Tone dB Levels	Steady Tone dB Levels	Dimension
✓ 60	Die-cast Zinc	87, 97, 102, 107, 112	97, 102	107	3 1/16"H x 4 9/16"W x 2"D
✓ 61	Die-cast Zinc	107, 112	107, 112	107, 112	4 7/8"H x 6 1/8"W x 2 5/8"D
✓ 62	ABS	87, 97, 102, 107, 112	97, 102	107	3 1/16"H x 4 9/16"W x 2"D
✓ 99901	ABS	97	-	-	3 1/16"H x 4 9/16"W x 3"D

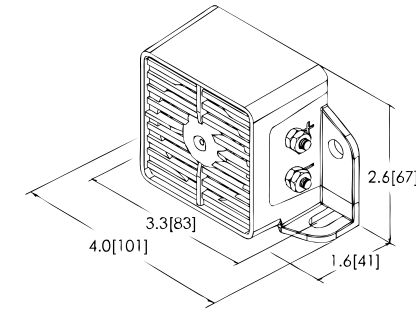
✓ = Top Seller

**BACK UP ALARMS**  
Audio



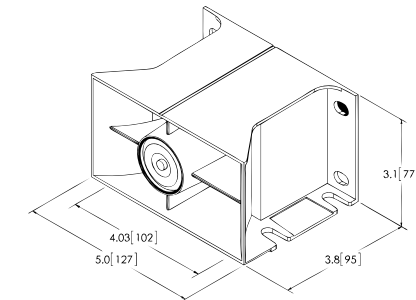
**992xx Series**

- Field proven dependability
- Multi frequency & single sound types
- Various dB levels to fit broad range of applications



**993xx Series**

- Versatile & compact universal mounting



Available Models								
Part #	Vdc	Amps	Mounting	dB Rating	Sound Type	Connectivity	SAE Class	Dimensions
✓ 99202	12-24	0.2	UM	97	Single	Studs	C	2.64"H x 4.02"W x 1.6"D
99212	12-24	0.3	UM	82	Multi Frequency	Wire Leads	F	2.64"H x 4.02"W x 1.6"D
99214	12-24	0.9	UM	92	Multi Frequency	Wire Leads	F	2.64"H x 4.02"W x 1.6"D
99215	12-24	1.0	UM	97	Multi Frequency	Wire Leads	C	2.64"H x 4.02"W x 1.6"D
✓ 99313	12-24	0.3	UM	87	Multi Frequency	Wire Leads	D	2.64"H x 4.02"W x 1.6"D
63-643	Water resistant switch, 10 amp, 360 degree movement							

✓ = Top Seller

**ILLUMINATION  
GOLIGHT**



**Features**

- 10 high flux LED's or 65W H9 Halogen bulb
- 370° horizontal rotation & 135° vertical tilt
- Narrow 8° beam can be seen at well over 3,000+ feet (1km+)
- Rugged UV resistant plastic shell
- Wireless or hard wired (dash mount) remote control options
- Available in black or white housing



Part #	Housing Color	Vdc	Amps	Mounting	Technology	Feature	Light Output
<b>Radio Ray Series</b>							
✓ 2000	White	12	5.5	PM	Halogen	Wireless Remote	225Kcd
2051	Black	12	5.5	PM	Halogen	Wireless Remote	225Kcd
✓ 2020	White	12	5.5	PM	Halogen	Dash Mount Remote	225Kcd
✓ 2021	Black	12	5.5	PM	Halogen	Dash Mount Remote	225Kcd
20004-GO	White	12	2.8	PM	LED	Wireless Remote	320Kcd
20514	Black	12	2.8	PM	LED	Wireless Remote	320Kcd
20074-GO	White	12	2.8	PM	LED	Wireless Dash Mount & Wireless Remote	320Kcd
20574	Black	12	2.8	PM	LED	Wireless Dash Mount & Wireless Remote	320Kcd
<b>Stryker Series</b>							
✓ 3000	White	12	5.5	PM	Halogen	Wireless Remote	200Kcd
3051	Black	12	5.5	PM	Halogen	Wireless Remote	200Kcd
✓ 3067	White	12	5.5	PM	Halogen	Dash Mount & Wireless Remote	200Kcd
3049	Black	12	5.5	PM	Halogen	Dash Mount & Wireless Remote	200Kcd

✓ = Top Seller | PM = Permanent Mount

**ILLUMINATION  
Tractor/Spreader/Utility**

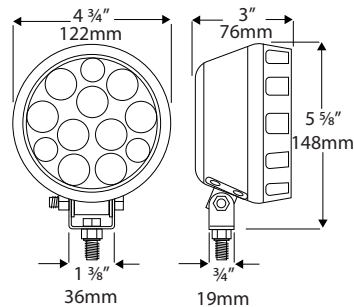
**Features**

- Pedestal mount
- Latest generation LEDs - no bulbs to replace
- High efficiency electronics
- Dim and full brightness modes
- Dual-optic design (3 spot optics and 9 flood optics)
- Environment proof rubber housing and polycarbonate lens
- Red version may be used as a stop/tail/turn light
- PAR 36 bulb styling



**Switch 766152**  
(sold separately)

**Dimensions**



<b>Available Models</b>						
Part #	Color	Vdc	Amps	Lumens (Full/Dim)	Lifetime	
✓ 93600	Amber	12	0.45	360 / 96	50,000 hours	
93601	Blue	12	0.45	360 / 96	50,000 hours	
✓ 93602	Clear	12	0.45	360 / 96	50,000 hours	
93605	Red	12	0.45	360 / 96	50,000 hours	

✓ = Top Seller

**ILLUMINATION**  
**Work Light**

**Features**

- Die-cast zinc housing
- Impact resistant polycarbonate front shield
- IP68 rating
- Tested to US MIL810-STD standard
- Waterproof Deutsch connector
- Comes with wiring harness and switch
- Comes with mounting bracket and stainless steel hardware
- Available in spot, flood and driving beam patterns
- Corrosion resistant stainless steel screws
- Waterproof & Anti-Fog Military Breather

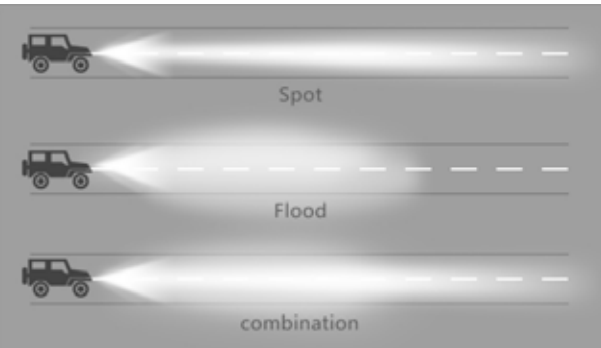


**93210 & 93310**

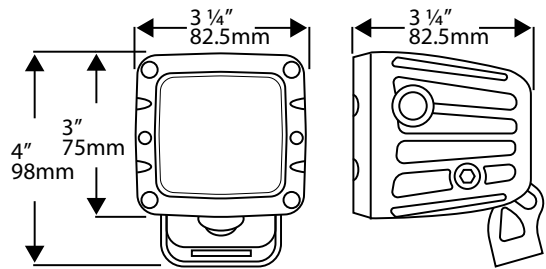


**93400**

**Over 100° Angle of rotation**



**Dimensions**



Available Models						
Part #	Vdc	Amps	# LEDs	Beam Pattern	Lumens	
93210	12-24	0.8	4	Spot	1430	
93310	12-24	0.8	4	Flood	1430	
✓ 93400	12-24	1.2	6	Driving	2800	

✓ = Top Seller

**ILLUMINATION**  
**Linear Work Light**



*Length 4"*  
**93220 & 93320**

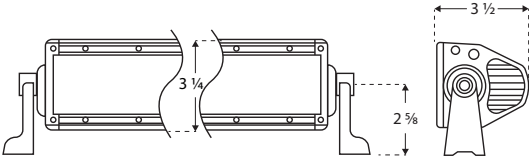


*Length 10"*  
**93240, 93340 & 93540**

**Features**

- 12Vdc - 24Vdc models available
- Extruded aluminum housing, impact resistant polycarbonate front shield
- IP68 rating
- Tested to US MIL810-STD standard
- Waterproof Deutsch connector
- Wiring harness with switch and relay
- Comes with mounting bracket and stainless steel hardware
- Available in spot, flood and combo beam patterns
- Corrosion resistant stainless steel screw

**Dimensions**



Available Models						
Part #	Vdc	Amps	# LEDs	Beam Pattern	Lumens	Length
93220	12-24	1.2	8	Spot	1736	4"
93320	12-24	12.	8	Flood	1736	4"
93230	12-24	1.8	12	Spot	2604	6"
93330	12-24	1.8	12	Flood	2604	6"
✓ 93530	12-24	1.8	12	Combo	2604	6"
✓ 93540	12-24	3.0	20	Combo	4340	10"

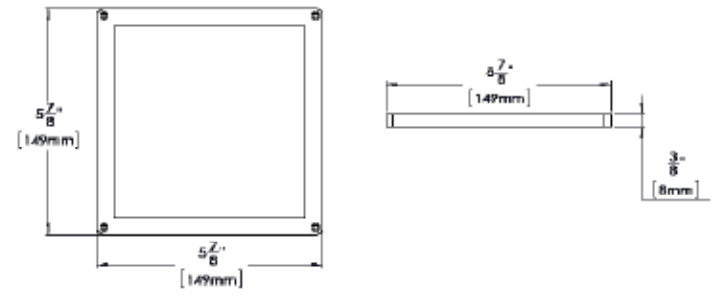
✓ = Top Seller

## ILLUMINATION LED White Panel

### Features

- LED flat panel light, ideal for mobile interior lighting applications
- Also useful in recreational applications, mobile homes, tent trailers etc.
- High lumen with low current draw for extended use
- Constructed with extremely durable materials for long use
- Indoor use only / not waterproof
- Easy to mount, install and wire into vehicles
- Temperature range: -20°C to 80°C

### Dimensions



Part #	Vdc	Lumens	Power Consumption	Mounting	Dimension
93780	10-16	550	7W	Surface	6" x 6" x .25"

## ILLUMINATION Linear White Light



Articulating bracket  
(sold separately)

**93792**  
pictured with 98092 brackets (sold separately)



detachable clip  
(included)

permanent mounting  
(included)

### Features

- Low profile design, minimizes obstruction allowing for multiple applications
- The polycarbonate outer case has an IP66 rating, preventing moisture and dust ingress
- The light comes with 2 surface mounting options; detachable clips, and permanent
- The articulating aluminum bracket (sold separately), allows for quick adjustment and positioning of the light
- Quick and easy to install.

Part #	Vdc	Amps	Lumens	Watts	Length	Height
93791	10-14	0.24	320	3	12"	0.43"
93792	10-14	0.44	640	6	20.5"	0.43"
93793	10-14	1.0	1280	12	40.5"	0.43"
98091	Mounting kit for 93791, articulating aluminum bracket with wing nut for angle adjustment					
98092	Mounting kit for 93792, articulating aluminum bracket with wing nut for angle adjustment					
98093	Mounting kit for 93793, articulating aluminum bracket with wing nut for angle adjustment					

# PACKAGE SOLUTIONS

## Snow Plow Lighting

**SWS**

The SWS Snow Plow Package uses the latest LED technology and onboard photosensors which automatically determine ambient light and auto-dims the brightness when needed.

The fully encapsulated, corrosion resistant electronics are fully synchronizable with an overall low current draw of 5.5 amps.

The quick connect system provides easy installation and the numerous color combinations facilitate different province and state by state regulations.



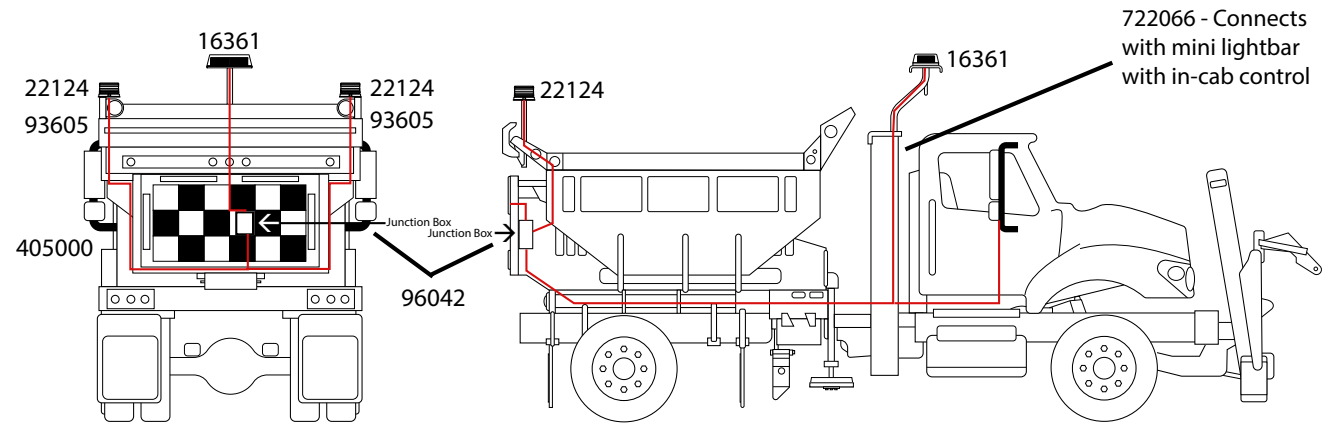
# PACKAGE SOLUTIONS

## Snow Plow Lighting

### Features

- Meets or exceeds TAC Standards for Beacons, Mini lightbars, and Warning Sticks
- Meets MTO Standards ES-2410001, ES-2420001, & ES-2200012
- Rugged, Durable aluminum and polycarbonate construction
- Quick connection system for easy installation and winter/summer modification
- Automatic ambient light photosensor for night time Dim mode
- Latest generation LEDs - no bulbs to replace or moving parts to fail
- Other color combinations available

### Common Color Combinations



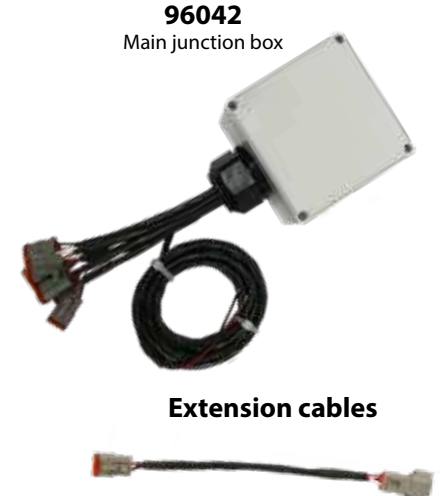
Package may differ than picture

# PACKAGE SOLUTIONS

## Snow Plow Accessories

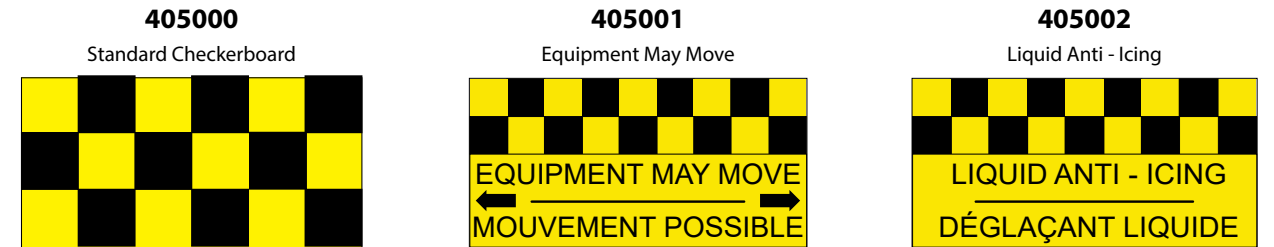
### Interconnect Features

- Waterproof (NEMA 4) enclosure with waterproof Deutsch connectors
- Quick connection system for easy installation and winter/summer modification
- 10'-50' lengths (at 10' intervals) of rugged 16AWG extension cables available to accommodate front or rear mounting on most fleet vehicles
- Junction box has extra wiring positions available for additional products or modified wiring (if required)
- System works with all warning lights in package 75032



### Checkerboard Features

- Meets TAC Standards for retro-reflective panel requirements
- Meets MTO Standards ES-3290007 and all subsequent application standards
- Durable aluminum core with highly reflective 3M Type XI retro-reflective material
- Board measures 3' x 6' standard size as per TAC and MTO standards



### Package 75032 contents and options

	Part #	Description	Typical Installation Quantity	Included in Package?	Notes
Lighting Devices	16361	Fleet Plus 16" Low Profile Mini lightbar Amber/Blue	1	Yes	
	22124	Fleet Plus Low Profile Beacon Amber/Blue	2	Yes	
	56046	24" Warning Stick Amber/Blue	4	Yes	
	93605	4" Red Stop/Tail/Turn Lights	2	No	Required per TAC Standard. Optional Purchase. Priced Separately.
System Interconnect	96042	Main Junction Box	1	Yes	
	722068	10' Extension Cable: Device to Junction Box	See Note	No	Customer to select cable lengths and quantity of each based on installation. Priced Separately.
	722069	20' Extension Cable: Device to Junction Box	See Note	No	
	722070	30' Extension Cable: Device to Junction Box	See Note	No	
	722071	40' Extension Cable: Device to Junction Box	See Note	No	
722072	50' Extension Cable: Device to Junction Box	See Note	No		
Conspicuity Panel	405000	3'x6' Full Checkerboard	See Note	No	Customer to Select Board to suit application. Priced Separately.
	405001	3'x6' Half Checkerboard; "Equipment May Move"	See Note	No	
	405002	3'x6' Half Checkerboard; "Liquid Anti-Icing"	See Note	No	

## AUXILIARY LIGHTING

### Flare Kits

#### Features

- Rechargeable lithium ion battery-charges in the case
- IP68 rubber sealed polycarbonate construction
- Selectable flash patterns including rotating and steady burn - 5-9 hour flash time
- Magnetic back to attach to vehicle surface or stand-alone
- Comes with both 120Vac wall outlet charger and 12Vdc cigarette outlet charger, charges in the case
- Baton style comes with 3 spider tripod stands that attach to the magnetic base

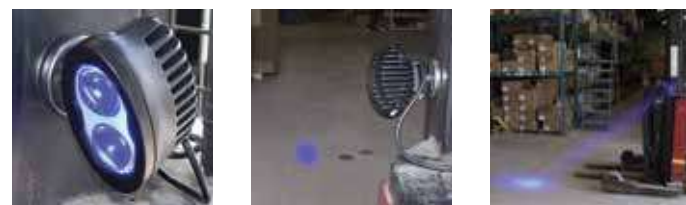


Available Models						
Part #	Style	# of Flares	# of Patterns	LED Color	Case Dimensions	Flare Dimensions
84000	Baton	3	5	Orange	10 1/4"W x 12"H x 2 1/2"T	1 5/8"D x 10 3/4"L
84010	Puck	6	9	Orange	17 1/2"W x 15"H x 2 3/4"T	4 1/2"D x 1 3/8"L

## Forklift Approach Warning Light

#### Features

- Provides a visual preemptive warning to people working around forklifts or other mobile equipment
- Bright blue light to standout against most shop floors compared to red or amber
- Rugged die-cast aluminum housing and tough polycarbonate construction to stand up to the conditions of forklift operation
- Universal pedestal mount allows for multiple mounting options and projection distances
- 9-48Vdc operating voltage range accommodates most forklift models
- **1 Year Warranty**



Part #	Vdc	Power	IP	Lumens	Dimensions
93801	9-48	6W	68	150lm	4 3/4"W x 3"H x 3 1/4"D

## AUXILIARY LIGHTING

### Barricade and Portable Lighting

#### Features

- All impact resistant plastic construction
- High efficiency electronics to maximize battery lifetime
- Can be surface mounted through the removable base
- 735S Series requires two 6Vdc spring terminal lantern batteries (not included)
- 747 Series uses 1 or 2 6Vdc spring terminal lantern batteries (not included)
- LED sold individually, incandescent and incandescent/photocell sold in cases of 10



735S Series

735S Series				
Part #	Lens Color	Flash Pattern	Feature	Mounting
✓ 735S-A	Amber	Single Flash	LED	P
✓ 735S-B	Blue	Single Flash	LED	P
735S-C	Clear	Single Flash	LED	P
735S-R	Red	Single Flash	LED	P
✓ 735SM-A	Amber	Single Flash	LED	MM
735SM-B	Blue	Single Flash	LED	MM
✓ 735SM-C	Clear	Single Flash	LED	MM
✓ 735SM-R	Red	Single Flash	LED	MM



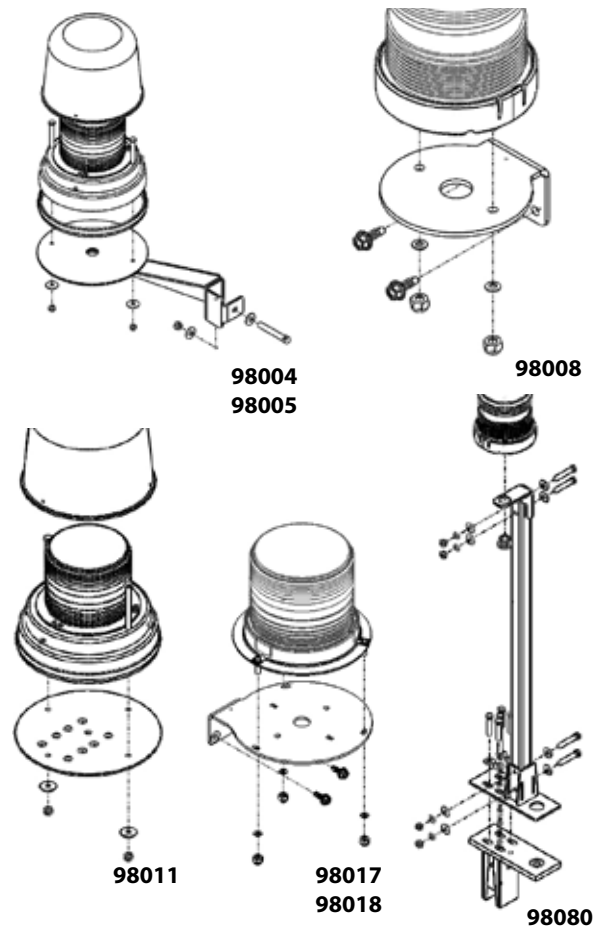
747 Series

747 Series				
Part #	Lens Color	Flash Pattern	Feature	Mounting
✓ 747-A	Amber	Single Flash	I	P
747-B	Blue	Single Flash	I	P
✓ 747-R	Red	Single Flash	I	P
✓ 747P-A	Amber	Single Flash	I/P	P
747PM-A	Amber	Single Flash	I/P	MM
747P-B	Blue	Single Flash	I/P	P
747P-C	Clear	Single Flash	I/P	P
747P-R	Red	Single Flash	I/P	P
747SB-A	Amber	Steady Burn	I	P
✓ 747SB-R	Red	Steady Burn	I	P
747SBP-A	Amber	Steady Burn	I/P	P
747SBP-B	Blue	Steady Burn	I/P	P
747SBP-R	Red	Steady Burn	I/P	P
747LED-A	Amber	Single Flash	LED/P	P

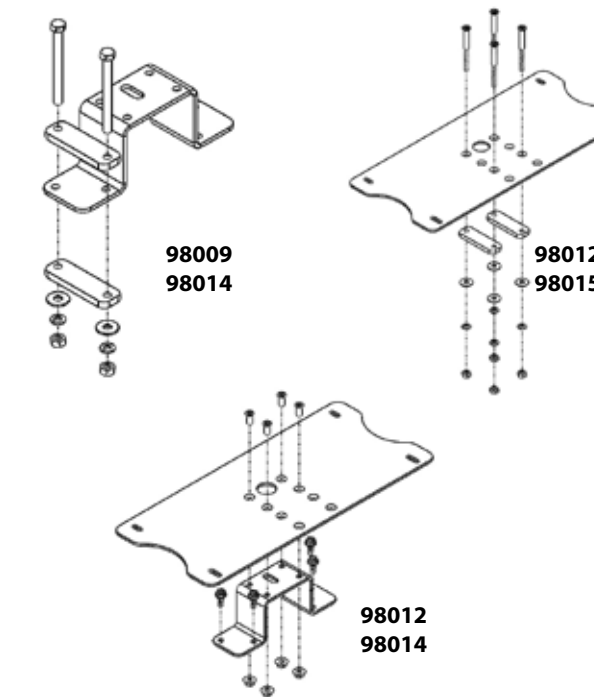
✓ = Top Seller | I = Incandescent | I/P = Incandescent/Photocell | P = Portable | MM = Magnetic Mount | LED/P = LED/Photocell



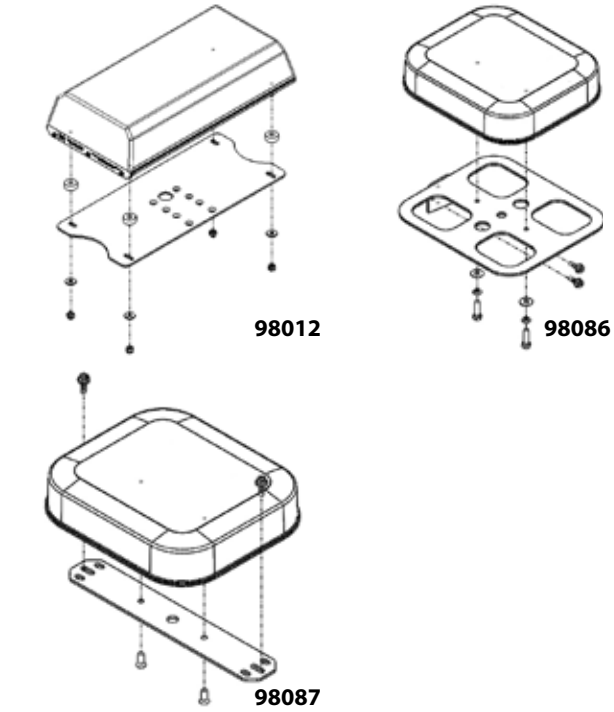
## Beacons



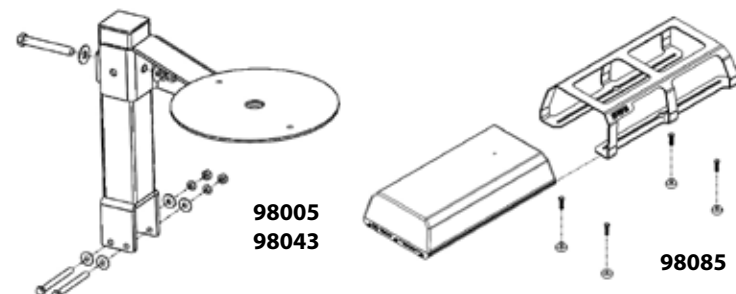
## Accessories



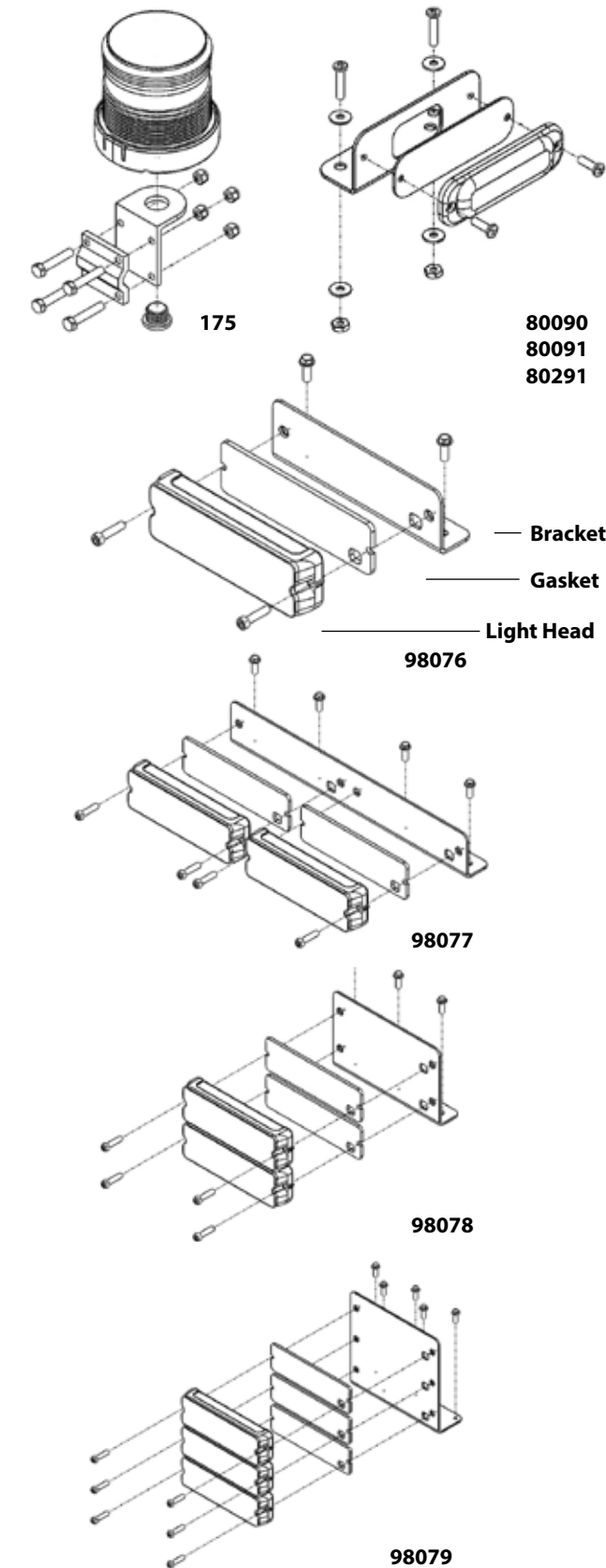
## Mini lightbars



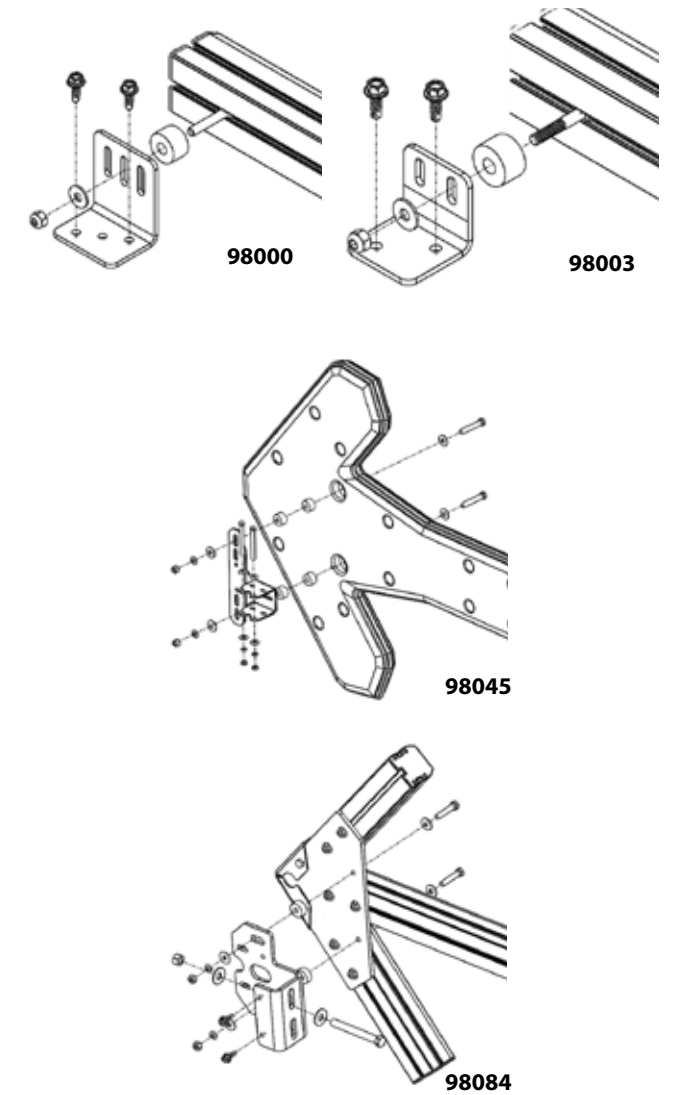
Part #	Description
98004	High profile beacon mounting bracket (Passenger side)
98005	High profile beacon mounting bracket (Driver side)
98008	Low profile beacon mounting bracket
98009	Universal bracket clamp (Clamps brackets to 2" square rack)
98011	High profile beacon mounting bracket (Plate only, no arm)
98012	16" mini lightbar mounting bracket (Plate only)
98014	C-Bracket 2.5" riser kit (Raises 98011 & 98012)
98015	Plate clamp kit (Clamps 98011 & 98012 to 2" square rack)
98017	Medium profile beacon mounting bracket (Driver side)
98018	Medium profile beacon mounting bracket (Passenger side)
98043	2" square offset extension(1pc., 10" length)
98080	LP and MP beacon stake pocket mount assembly
98085	16" low profile mini lightbar branch guard
98086	166xx series mini lightbar side mounting bracket
98087	166xx series mini lightbar flat/blind mounting bracket



## Clamp Kits & L-Brackets



## Traffic Directors & Arrows



Part #	Description
175	Mirror mount bracket (Beacons)
80090	3 LED lighthouse L-bracket
80091	6 LED lighthouse L-bracket
80291	6 LED low profile lighthouse L-bracket
98076	Titan single L-bracket
98077	Titan double horizontal L-bracket
98078	Titan double vertical L-bracket
98079	Titan triple vertical L-bracket
98000	Universal traffic director L-bracket
98003	Traffic director low profile bracket
98045	Universal arrow mounting bracket
98084	Mounting Bracket for 48" Titan Arrow on trucks with Back Rack

## MOUNTING SOLUTIONS

### Temporary Mounting

#### Beacon Conversion Kits



96007



96012



96021

#### Mini lightbar Conversion Kits



96000



96011



96022



96023



96024

#### Replacement Magnets



177



177-25



200105

Part #	Applicable Models
<b>Beacon Conversion Kits</b>	

96007	Conversion Kit 1/2" NPT to magnetic mount
96012	Conversion Kit 23715 to magnetic mount
96021	Conversion Kit 1/2" NPT to suction cup

Part #	Applicable Models
<b>Mini lightbar Conversion Kits</b>	

96000	Rotator Mini lightbar PM to magnetic mount conversion kit
96011	Conversion Kit 16211 to magnetic mount
96022	Conversion Kit Mini lightbar to suction cup mount
96023	Conversion Kit Mini lightbar to vacuum magnetic mount
96024	Conversion Kit Mini lightbar to magnetic mount

Part #	Applicable Models
<b>Replacement Magnets</b>	

177	1/2" NPT Magnet
177-25	1/4"-20 Magnet
200105	Vacuum magnet

## CONTROL SOLUTIONS

### Switch Panels and Boxes



766150 / 766250

766152 / 766252

766155 / 766255

766163 / 766263

766175 / 766275



766153 / 766253

766154 / 766254

766171 / 766271

Part #	Vdc	# of Switches	Switch #1	Switch #2	Switch #3	Switch #4	Amps	Dimensions
766150	12	1	on/off				10	2"W x 2 3/8"H x 1 1/2"D
766152	12	2	on/off	on/off			20	3"W x 2 3/8"H x 1 1/2"D
766153	12	3	on/off	on/off	on/off		30	4"W x 2 3/8"H x 1 1/2"D
766154	12	4	on/off	on/off	on/off	on/off	40	5"W x 2 3/8"H x 1 1/2"D
766155	12	2	on/off	3 position			10	3"W x 2 3/8"H x 1 1/2"D
766163	12	2	on/off	Momentary ground switch			10	3"W x 2 3/8"H x 1 1/2"D
766171	12	3	on/off	on/off	Momentary		20	4"W x 2 3/8"H x 1 1/2"D
766175	12	2	on/off	Momentary positive switch			10	3"W x 2 3/8"H x 1 1/2"D
766250	24	1	on/off				10	2"W x 2 3/8"H x 1 1/2"D
766252	24	2	on/off	on/off			20	3"W x 2 3/8"H x 1 1/2"D
766253	24	3	on/off	on/off	on/off		30	4"W x 2 3/8"H x 1 1/2"D
766254	24	4	on/off	on/off	on/off	on/off	40	5"W x 2 3/8"H x 1 1/2"D
766255	24	2	on/off	3 position			10	3"W x 2 3/8"H x 1 1/2"D
766263	24	2	on/off	Momentary ground switch			10	3"W x 2 3/8"H x 1 1/2"D
766271	24	3	on/off	on/off	Momentary		20	4"W x 2 3/8"H x 1 1/2"D
766275	24	2	on/off	Momentary positive switch			10	3"W x 2 3/8"H x 1 1/2"D



76000 - Heavy Duty



76001 - Slimline

#### Features

- Back-illuminated labelling plaques
- Simple color coded wiring harness
- All hardware and mounting bracket included
- Basic labels included to customize your channels

Part #	# of Switches	Switch #1	Switch #2	Switch #3	Switch #4	Switch #5	Switch #6	Amps	Dimensions
76000	6	30A	10A	10A	10A	10A	10A	50A	6 1/4"W x 2 1/4"H x 5 3/4"D
76001	6	5A	5A	5A	5A	5A	5A	30A	6 1/4"W x 2"H x 1 1/2"D

**REPLACEMENT PARTS**

**Cables and Cords**



**96013**



**96014**



**77100**



**77200 -77205 & 77211**



**77206-77207**

Part #	Description
96013	12' cigarette cord with on/off and momentary switches
96014	Heavy duty 12' cigarette cord, on/off, 15 amp fuse
77100	16 AWG, 3 conductor shielded cable sold by the foot
77200 - 20'	Main Power Cable for Traffic Directors and Arrows
77201 - 30'	
77202 - 40'	
77203 - 50'	
77204 - 60'	
77205 - 70'	
77211 - 80'	
77206 - 10'	Extension cable
77207 - 20'	Extension Cable
77265 - 20' - Fleet Plus	Main Power Cables for the 57000 Series
77266 - 30' - Fleet Plus	
77267 - 40' - Fleet Plus	
77268 - 50' -Fleet Plus	
77260 - 20' - Fleet	
77261 - 30' - Fleet	
77262 - 40' - Fleet	
77263 - 50' - Fleet	
77270 - 10'	Extension Cables. These are meant to connect 77504 to the actual product. Also the cable that connects the two splits together
77271 - 20'	
77272 - 30'	
77273 - 40'	
77280	Used to connect the 57000 series Fleet products to currently installed 9 position connector wiring



**77265-77273**



**77280**

**REPLACEMENT PARTS**

**Domes and Lenses**



**300**



**300-S**



**877334**



**299**



**298**



**877454**



**877453**



**877461**



**877462**



**330**



**333**



**877346**

Part #	Description
300-Color	Lens for high profile Fleet & Fleet Plus products in beacon styles 200A, 201B, 238xx and 24xxx mini lightbars)
300-S-Color	Lens for medium profile Fleet & Fleet Plus products in beacon styles 200S, 238xx, 27xxx
877334 - Amber	Lens for low profile Fleet & Fleet Plus products in beacon styles 238xx and 27xxx
877335 - Blue	
877336 - Red	
877337 - Clear	
877338 - Green	
299-Color	Lens for medium profile Fleet products in beacon style 208R
298-Color	Lens for low profile Fleet products in beacon style 204R
877454 - Amber	Lens for high profile Fleet Plus products in beacon styles 226xx, 236xx and 169xx mini lightbars
877456 - Blue	
877458 - Red	
877452 - Clear	
877453 - Amber	Lens for medium profile Fleet Plus products in beacon styles 223xx and 233xx
877455 - Blue	
877457 - Red	
877451 - Clear	
877461 - Amber	Lens for low profile Fleet Plus products in beacon styles 221xx and 231xx
877463 - Blue	
877465 - Red	
877459 - Clear	
877462 - Amber	Lens for low profile Fleet Plus products in 169xx mini lightbars
877464 - Blue	
877466 - Red	
877460 - Clear	
330-Color	Lens for mini profile Fleet products in beacon styles 200Z and 201Z
333-Color	Lens for high profile Fleet products in 16xxx mini lightbars
877346 - Amber	Lens for low profile Fleet 16xxx mini lightbars
877347 - Blue	
877348 - Red	
877349 - Clear	

A= Amber | B= Blue | C= Clear | R= Red | G= Green | M= Magenta

# REPLACEMENT PARTS

## Domes & Lenses



### Features

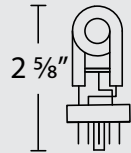
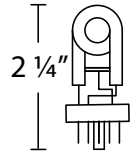
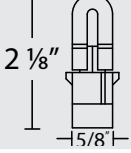


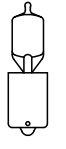

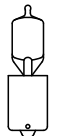
- High polished impact resistant polycarbonate lenses and domes for beacons and mini lightbars

Part #	Description
134-1-Color	Outer dome for high profile products in beacon styles 200A, 226xx, 236xx, 2810x and 450A
134-2-Color	Outer dome for high profile products in beacon style 201B
877401 - Amber 877402 - Blue 877403 - Clear 877404 - Green	Medium profile dome for 280xx
877227 - Amber 877228 - Blue 877226 - Clear 877230 - Magenta	Outer dome for low profile 16xxx mini lightbars
877211 - Amber 877212 - Blue 877215 - Red 877213 - Clear	Outer dome for high profile 16xxx mini lightbars
877201 - Amber 877202 - Blue 877205 - Red 877203 - Clear	Outer dome for high profile 24xxx mini lightbars

A= Amber | B= Blue | C= Clear | R= Red | G= Green | M= Magenta

# REPLACEMENT PARTS

## Bulbs

Part #	Description
129	 Replacement strobe tube for high profile strobe beacons
129-S	 Replacement strobe tube for medium profile strobe beacons
129-Z	 Replacement strobe tube for low profile strobe beacons
3901-11	 Replacement strobe tube for high profile strobe Mini lightbars
80000 & 80001	 Replacement pop-in strobe tube 80001 - amber, 80000 - clear
2073-796	 35 watt, 12Vdc replacement bulb for rotator products, single contact
2073-H27	 27 watt, 12Vdc replacement bulb for lower level alley and lower level flood lights on large lightbars, double contact
2073-H50W024V	 50 watt, 24Vdc replacement bulb for rotator products, single contact

## REPLACEMENT PARTS











### LED Circuits



SWS Product	Color	Amber	Blue	White	Green	Magenta	Red
160xx Series High Profile LED Mini lightbar PM & MM		79856	79856	79856	N/A	N/A	79856
168xx Series Low Profile LED Mini lightbar PM & MM		79855	79855	79855	N/A	79855	79855
2079x Series Fleet Plus Beacon PM		79880	79891	79888	N/A	N/A	79880
207xx Series Fleet Plus Beacon MM		79879	79886	79884	N/A	N/A	79879
200Z Series & 201Z Series LED Beacons PM & MM		79822	79822	79822	79822	79822	79822
204R Series LED Beacon PM & MM		79821	79821	79821	79821	N/A	79821
208R Series LED Beacon PM & MM		79826	79826	79826	N/A	N/A	79826
200S Series LED Beacon PM & MM		79866	79866	79866	79866	79866	79866
200-A Series & 201B Series LED Beacons PM & MM		79862	79862	79862	79862	79862	79862
27xxx Series Low Profile LED Beacon PM & MM		79866	79866	79866	79866	79866	79866
27xxx Series Medium Profile LED Beacon PM & MM		79862	79862	79862	79862	79862	79862
237xx Series High Profile Fleet Plus LED Beacon (Pg. 7)		79866	79866	79866	79866	79866	79866
238xx Series Low Profile Fleet Plus LED Beacon PM & MM		79896	79898	79865	79865	N/A	79896
238xx Series Medium Profile Fleet Plus LED Beacon PM & MM		79890	79895	79864	79864	79864	79890
238xx Series High Profile Fleet Plus LED Beacon (Pg. 6)		79896	79898	79865	N/A	N/A	N/A
238xx Series High Profile Fleet Plus LED Beacon PM (Alum. Base)		79890	79895	79864	79864	79864	79890

## REPLACEMENT PARTS

### Miscellaneous

Part #	Description
<b>Switch Kit</b>	
<b>766170</b>	 Cable switch kit includes 766163 and 20' cable
<b>Control Box</b>	
<b>77501</b>	 Control box for LED traffic directors and arrows
<b>77504</b>	 Outdoor Rated Control box for Fleet 57000 series traffic directors and arrows
<b>Hardware Kits</b>	
<b>198000</b>	 Mini lightbar mounting hardware kit
<b>198069</b>	 Flange mount hardware kit
<b>198067</b>	 Enclosed bottom automotive beacon hardware kit
<b>198032</b>	 Traffic director (<60'') hardware kit
<b>198070</b>	 Open bottom automotive beacon hardware kit
<b>220018</b>	 A-Rubber for high profile, open bottom bases
<b>220092</b>	 Replacement clip for all 57000 series extrusion (1 clip)

# INDEX

60	50	208R-12V-R	11	16313	26	16836	30	23715	15	28002	22
61	50	208RM-12V-A	11	16338	26	16931	29	23802	4	28003	22
62	50	208RM-12V-B	11	16349	26	20004-GO	52	23803	4	28011	22
63-643	51	298	69	16350	26	20074-GO	52	23804	4	28012	22
129	71	299	69	16351	26	20514	52	23805	4	28014	22
129-S	71	300	69	16361	61	20574	52	23806	4	28031	22
129-Z	71	300-S	69	16393	28	20610	12	23810	8	28032	22
134-1	70	330	69	16394	28	20611	12	23811	8	28100	22
134-2	70	333	69	16395	28	20612	12	23812	8	28101	22
175	65	735S-A	63	16398	28	20613	12	23815	8	28105	22
177	66	735S-B	63	16399	28	20615	12	23816	8	28106	22
177-25	66	735S-C	63	16610	24	20640	12	23817	14	54000	49
200A-12V-A	5	735SM-A	63	16611	24	20641	12	23818	14	54002	49
200A-12V-B	5	735SM-B	63	16612	24	20642	12	23819	8	56046	61
200A-12V-C	5	735SM-C	63	16613	24	20643	12	23820	8	57324	45
200A-12V-G	5	735SM-R	63	16615	24	20650	13	23821	14	57330	45
200A-12V-R	5	735S-R	63	16616	24	20651	13	23822	14	57336	45
200A-72V-A	5	747-A	63	16617	24	20652	13	23827	8	57342	45
200A-72V-C	5	747-B	63	16618	24	20653	13	23835	6	57348	45
200A-72V-R	5	747LED-A	63	16619	24	20655	13	23840	6	57354	45
200S-12V-A	10	747P-A	63	16610M	25	20660	13	23860	6	57360	45
200S-12V-B	10	747P-B	63	16611M	25	20661	13	26040	33	57366	45
200S-12V-C	10	747P-C	63	16612M	25	20662	13	26041	33	57372	45
200S-72V-A	10	747PM-A	63	16613M	25	20663	13	26050	33	57424	44
200S-72V-C	10	747P-R	63	16615M	25	20665	13	26051	33	57430	44
200S-72V-R	10	747-R	63	16616M	25	20760	16	26052	33	57436	44
200SM-12V-A	10	747SB-A	63	16617M	25	20761	16	26060	33	57442	44
200SM-12V-B	10	747SBP-A	63	16618M	25	20762	16	26061	33	57448	44
200Z-12V-A	17	747SBP-B	63	16619M	25	20765	16	27001	9	57454	44
200Z-12V-B	17	747SBP-R	63	16610S	25	20780	18	27002	9	57460	44
200Z-12V-C	17	747SB-R	63	16611S	25	20781	18	27003	9	57466	44
200ZM-12V-A	17	2000	52	16612S	25	20782	18	27006	15	57472	44
200ZM-12V-B	17	2020	52	16613S	25	20785	18	27007	15	57524	47
200ZM-12V-G	17	2021	52	16615S	25	20790	16	27008	15	57530	47
200ZM-12V-M	17	2051	52	16616S	25	20791	16	27011	9	57536	47
201Z-12V-A	19	2073-796	71	16617S	25	20792	16	27013	9	57542	47
201Z-12V-B	19	2073-H27	71	16618S	25	20793	16	27015	9	57548	47
201Z-12V-C	19	2073-H50W024V	71	16619S	25	20796	18	27016	15	57724-1	43
201ZB-12V-A	19	3000	52	16610V	25	20796B	18	27020	15	57730-1	43
201ZB-12V-B	19	3049	52	16611V	25	20797	18	27021	9	57730-2	43
201ZM-12V-A	19	3051	52	16612V	25	20798	18	27022	9	57736-1	43
201ZM-12V-B	19	3067	52	16613V	25	20799	18	27023	9	57736-2	43
201ZM-12V-G	19	3901-11	71	16615V	25	22117	21	27026	15	57736-3	43
201ZM-12V-M	19	16001	31	16616V	25	22124	61	27027	15	57742-1	43
201ZS-12V-A	19	16006	31	16617V	25	22332	21	27061	9	57742-2	43
204R-12V-A	20	16031	30	16618V	25	22335	21	27066	15	57742-3	43
204R-12V-B	20	16032	30	16619V	25	22336	21	27067	15	57748-1	43
204R-12V-C	20	16033	30	16801	31	22609	21	27112	9	57748-2	43
204RM-12V-A	20	16211	27	16802	31	23101	14	27113	9	57748-3	43
204RM-12V-B	20	16214	27	16803	31	23102	14	27151	7	57754-1	43
208R-12V-A	11	16310	26	16806	31	23105	14	27152	7	57754-2	43
208R-12V-B	11	16311	26	16831	30	23106	14	27153	7	57754-3	43
208R-12V-C	11	16312	26	16832	30	23109	14	28001	22	57760-1	43

# INDEX

57760-2	43	79862	72	80090	65
57760-3	43	79864	72	80091	65
57766-1	43	79865	72	80258	37
57766-2	43	79866	72	80265	37
57766-3	43	79879	72	80266	37
57772-1	43	79880	72	80271	37
57772-2	43	79884	72	80272	37
57772-3	43	79886	72	80273	37
57818-1	46	79888	72	80274	37
57818-2	46	79890	72	80275	37
57818-3	46	79891	72	80278	37
57824-1	46	79895	72	80280	37
57824-2	46	79896	72	80281	37
57824-3	46	79898	72	80291	65
57830-1	46	80000	71	82001	34
57830-2	46	80001	71	82001PC	34
57830-3	46	80010	39	82002	34
57836-1	46	80011	39	82002PC	34
57836-2	46	80012	39	82003	34
57836-3	46	80013	39	82003PC	34
76000	67	80014	39	82005	34
76001	67	80015	39	82005PC	34
77100	68	80016	39	82006	34
77200	68	80017	39	82006PC	34
77201	68	80054	38	82015	35
77202	68	80054W	38	82015PC	35
77203	68	80055	38	82016	35
77204	68	80055W	38	82016PC	35
77205	68	80056	38	82026	35
77206	68	80056W	38	82026PC	35
77207	68	80057	38	82036	35
77211	68	80057W	38	82036PC	35
77260	68	80058	36	82056	35
77261	68	80059	36	82056PC	35
77262	68	80062	38	82115	35
77263	68	80062W	38	82115PC	35
77265	68	80065	36	82116	35
77266	68	80066	36	82116PC	35
77267	68	80071	36	82126	35
77268	68	80072	36	82126PC	35
77270	68	80073	36	82136	35
77271	68	80074	36	82136PC	35
77272	68	80075	36	82156	35
77273	68	80076	39	82156PC	35
77280	68	80077	39	83062	38
77501	48	80078	39	83069	38
77504	48	80079	39	84000	62
77800	38	80080	36	84010	62
79821	72	80081	36	93210	54
79822	72	80082	38	93220	55
79826	72	80082W	38	93230	55
79855	72	80083	39	93310	54
79856	72	80084	36	93320	55

# INDEX

93330	55	98078	65	877205	70
93400	54	98079	65	877211	70
93530	55	98080	64	877212	70
93540	55	98081	32	877213	70
93600	53	98084	65	877215	70
93601	53	98085	64	877226	70
93602	53	98086	64	877227	70
93605	53	98087	64	877228	70
93780	56	98091	57	877230	70
93791	57	98092	57	877334	69
93792	57	98093	57	877335	69
93793	57	99202	51	877336	69
93801	62	99212	51	877337	69
96000	66	99214	51	877338	69
96007	66	99215	51	877346	69
96011	66	99313	51	877347	69
96012	66	99901	50	877348	69
96013	68	198000	73	877349	69
96014	68	198032	73	877401	70
96021	66	198067	73	877402	70
96022	66	198069	73	877403	70
96023	66	198070	73	877404	70
96024	66	200105	66	877451	69
96042	61	220018	73	877452	69
98000	65	220092	73	877453	69
98003	65	405000	61	877454	69
98004	64	405001	61	877455	69
98005	64	405002	61	877456	69
98008	64	722068	61	877457	69
98009	64	722069	61	877458	69
98011	64	722070	61	877459	69
98012	64	722071	61	877460	69
98014	64	722072	61	877461	69
98015	64	766150	67	877462	69
98017	64	766152	67	877463	69
98018	64	766153	67	877464	69
98022	32	766154	67	877465	69
98043	64	766155	67	877466	69
98045	65	766163	67		
98053	32	766170	73		
98054	32	766171	67		
98055	32	766175	67		
98056	32	766250	67		
98057	32	766252	67		
98058	32	766253	67		
98059	32	766254	67		
98060	32	766255	67		
98061	32	766263	67		
98062	32	766271	67		
98063	32	766275	67		
98074	32	877201	70		
98076	65	877202	70		
98077	65	877203	70		