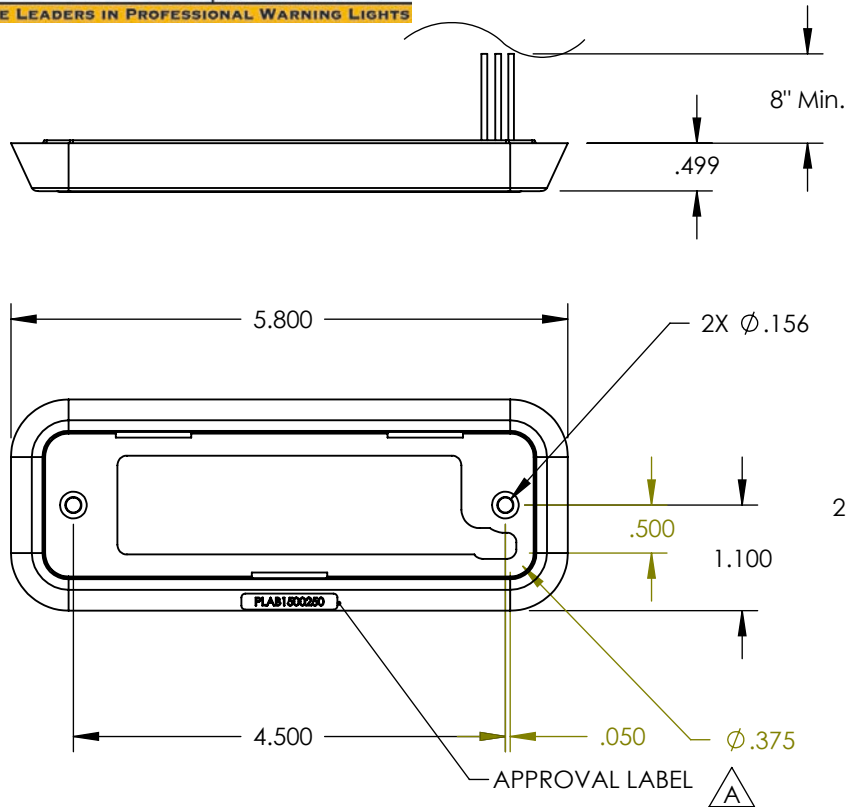
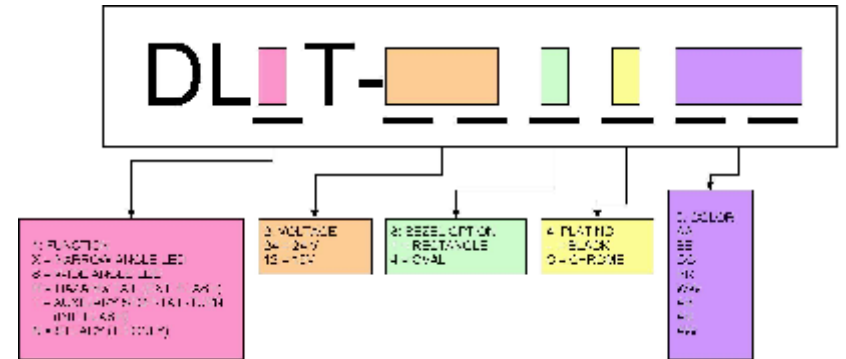


REV.	ECR	DESCRIPTION	DATE
-	8848	INITIAL DRAWING REQUEST	01/29/10
A	10573	ADDED APPROVAL LABEL PLAB1500250 & # 10R-037708 E11, & PRODUCTION SAMPLING NOTE	9/7/2012
B	12182	ADDED CHART FOR DLXT-1, DLHT-1, DLTT-1	8/22/2014

MODEL NUMBERS:



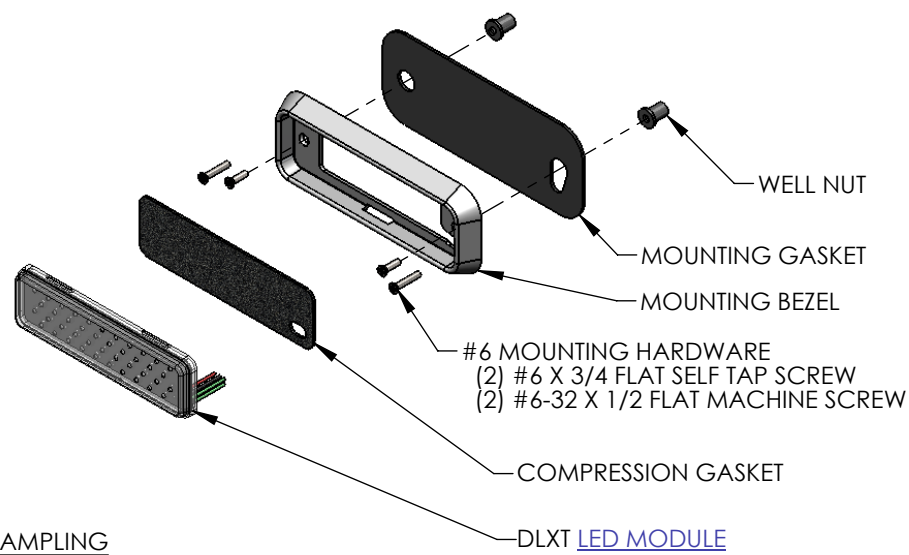
SPECIFICATIONS:
 Typical Input Voltage Range: 10-16VDC @.305 A
 Typical Input Voltage Range: 19-28VDC @.203 A
 Operating Temperature Range: -40C to 55C
 Connections: 8 inch (min.) wires exiting the unit.
 Permanent Mounting: 2 Hole Pattern 4.5"
 Classification ECE REG. 10. 10R-037708, E11

Materials: Module Lens: Polycarbonate A
 Compression Gasket: EPDM Foam Rubber
 Mounting Hardware: Stainless Steel
 Mounting Bezel: E-Palatable ABS
 Mounting Gasket: EPDM Rubber
 Well Nuts: Rubber with brass inserts

A

B

PRODUCTION SAMPLING
 Sampling Rate: Minimum 1per 6 month period.
 Test: EMC per QDOC137, Conducted Spike per QDOC138



Connections:	DLXT-1	DLHT-1	DLTT-1
22Gage Red Wire	POSITIVE VDC	POSITIVE VDC	POSITIVE VDC
22 Gage Black Wire	GROUND	GROUND	GROUND
22 Gage Green Wire	PATTERN SELECT	PATTERN SELECT	OPTION SELECT
22 Gage Green/White Wire	SPLIT/SINGLE	TURN	TURN
22 Gage White Wire	SYNCHRONIZATION	SYNCHRONIZATION	BRAKE

UNLESS OTHERWISE SPECIFIED	DRAWN BY:	MD
DIMENSIONS ARE IN INCHES	DRAWING APPROVED BY ECR	
TOLERANCES:	THE INFORMATION CONTAINED IN THIS DRAWING IS THE SOLE PROPERTY OF STAR HEADLIGHT & LANTERN CO., INC.. ANY REPRODUCTION IN PART OR AS A WHOLE WITHOUT THE WRITTEN PERMISSION OF STAR HEADLIGHT & LANTERN CO., INC. IS STRICTLY PROHIBITED.	
ANGULAR: ± 2 DEG.		
.X ± .100		
.XX ± .020		
.XXX ± .005		
.XXXX ± .001		
RoHS COMPLIANT: Yes		
MATERIAL:	N/A	
FINISH:	N/A	

STAR HEADLIGHT & LANTERN CO., INC.		
MODEL:	DLXT, DLHT, DLTT	
TITLE:	DLXT-1 MODEL DRAWING	
DWG. NO.	DLXT-1	REV B
SCALE: 1:4	DO NOT SCALE FROM DRAWING	SHEET 1 OF 1