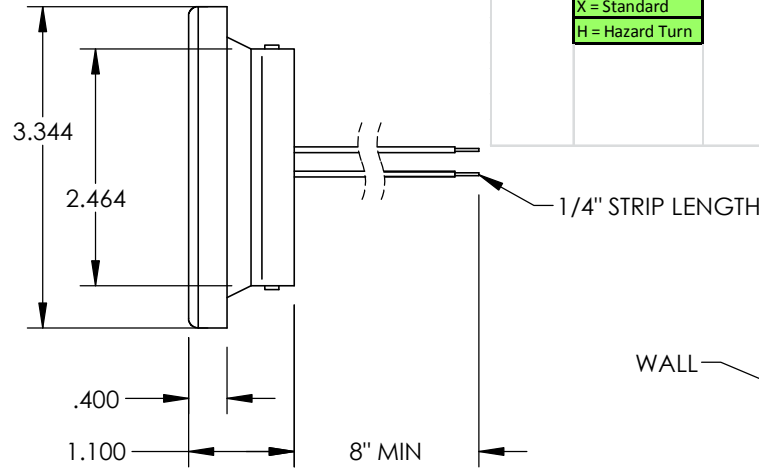
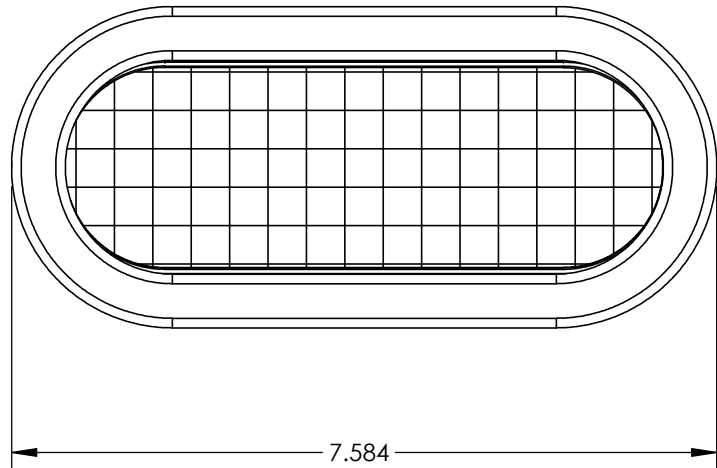


REV.	ECR	DESCRIPTION	DATE
-	10997	INITIAL DRAWING REQUEST	02/21/13
A	11230	UPDATED CLASSIFICATIONS	05/30/13

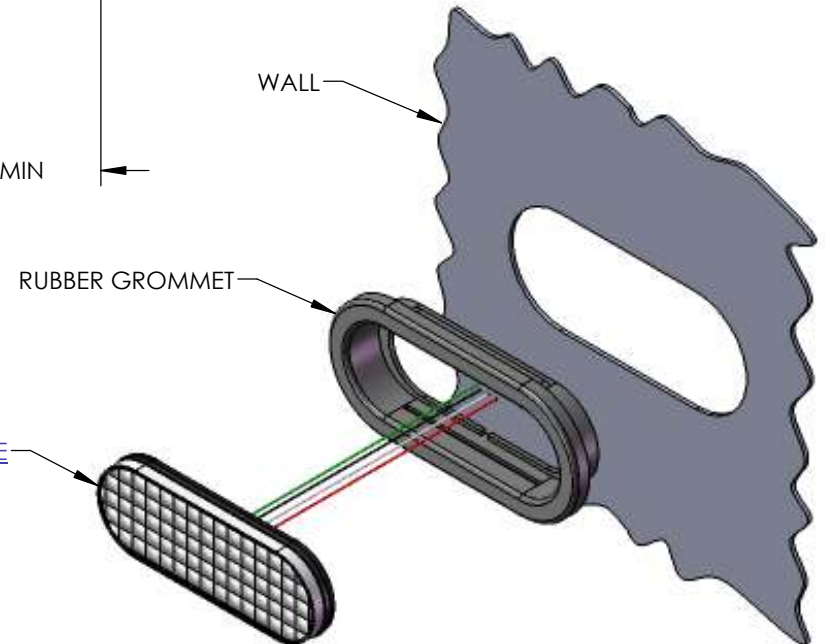


MODEL NUMBERS					
DL	THU	Mount Type	Color		
LED Head	Pattern Type	Oval	4 = Rubber Grommet	A = Amber	BC = Blue w/Clear Lens
X = Standard				GC = Green w/Clear Lens	RC = Red w/Clear Lens
H = Hazard Turn				W = Cool White	R = Red

SPECIFICATIONS:
 Typical Input Voltage Range: 10-30 VDC @ .540 A MAX
 Operating Temperature Range: -40°C to 55°C
 Light Output: Steady Burn "C" Cool White of 268LM @ 25°C
 Connections: 8"(min) Wires Exiting Unit
 Permanent Mounting: Rubber Grommet

MATERIALS:
 Module Lens: Polycarbonate
 Module Housing: Polycarbonate
 Lens Gasket: EPDM Foam
 Grommet: PVC

CONNECTIONS:
 22 Gauge Red Wire: Positive VDC
 22 Gauge Black Wire: Negative VDC
 22 Gauge Green Wire: Pattern Select (Touch wire to ground and release)
 22 Gauge Green / White Wire: Turn Signal Input (DLHTHU ONLY)
 22 Gauge White Wire: Synchronization



CLASSIFICATIONS			
COLORS	DESCRIPTION	J845	TITLE 13
A	AMBER	CLASS 1	-
BC	BLUE W/CLEAR LENS	CLASS 1	YES
GC	GREEN W/CLEAR LENS	-	-
RC	RED W/CLEAR LENS	CLASS 1	YES
R	RED	CLASS 2	-
W	COOL WHITE	CLASS 1	-



UNLESS OTHERWISE SPECIFIED	DRAWN BY: MB
DIMENSIONS ARE IN INCHES	DRAWING APPROVED BY ECR
TOLERANCES: ANGULAR: ± 2 DEG.	THE INFORMATION CONTAINED IN THIS DRAWING IS THE SOLE PROPERTY OF STAR HEADLIGHT & LANTERN CO., INC.. ANY REPRODUCTION IN PART OR AS A WHOLE WITHOUT THE WRITTEN PERMISSION OF STAR HEADLIGHT & LANTERN CO., INC. IS STRICTLY PROHIBITED.
.X ± .100 .XX ± .020 .XXX ± .005 .XXXX ± .001	
RoHS COMPLIANT: Yes	
MATERIAL: N/A	
FINISH: N/A	

STAR HEADLIGHT & LANTERN CO., INC.	
MODEL: DLXTHU-4*, DLHTHU-4*	
TITLE: 6" OVAL DLXT GROMMET ASSEMBLY	
DWG. NO. DLXTHU-4	REV A
SCALE: 1:2	DO NOT SCALE FROM DRAWING SHEET 1 OF 1