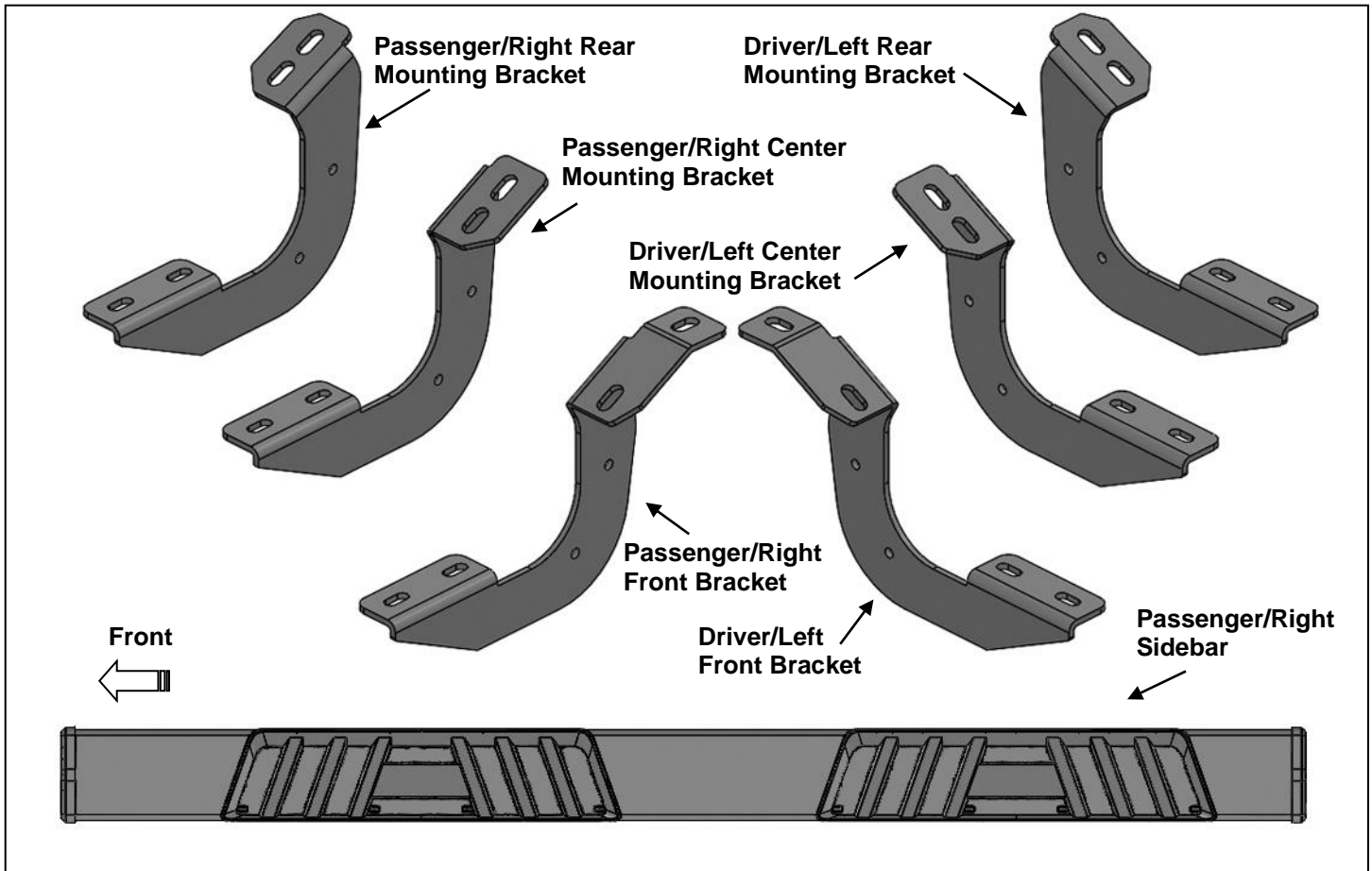


**PARTS LIST:**

1	Driver/left side T6 Sidebar	1	Passenger/Right Rear Mounting Bracket
1	Passenger/right side T6 Sidebar	6	8mm Double Bolt Plates
1	Driver/Left Front Mounting Bracket	12	8-1.25 x 30mm Hex Bolts
1	Passenger/Right Front Mounting Bracket	24	8mm x 24mm x 2mm Flat Washers
1	Driver/Left Center Mounting Bracket	24	8mm Lock Washers
1	Passenger/Right Center Mounting Bracket	12	8-1.25mm Hex Nuts
1	Driver/Left Rear Mounting Bracket		



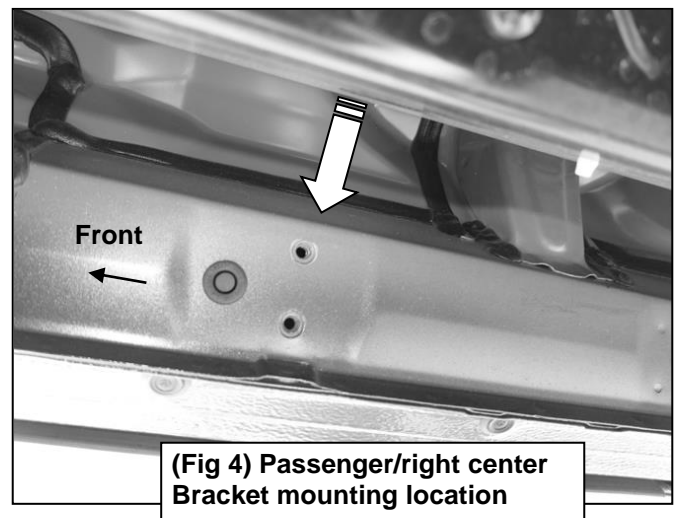
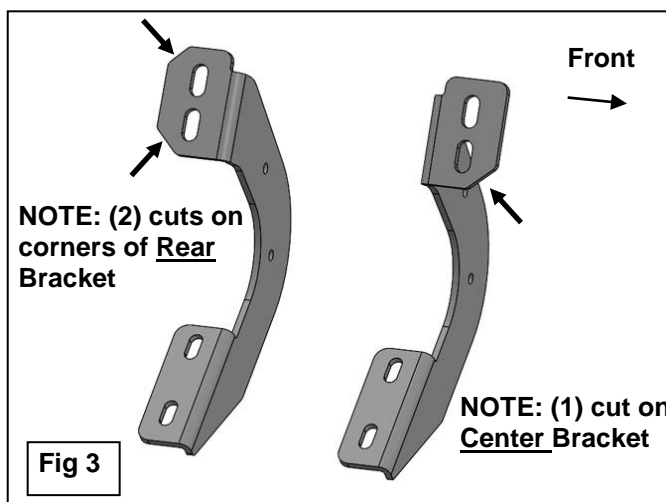
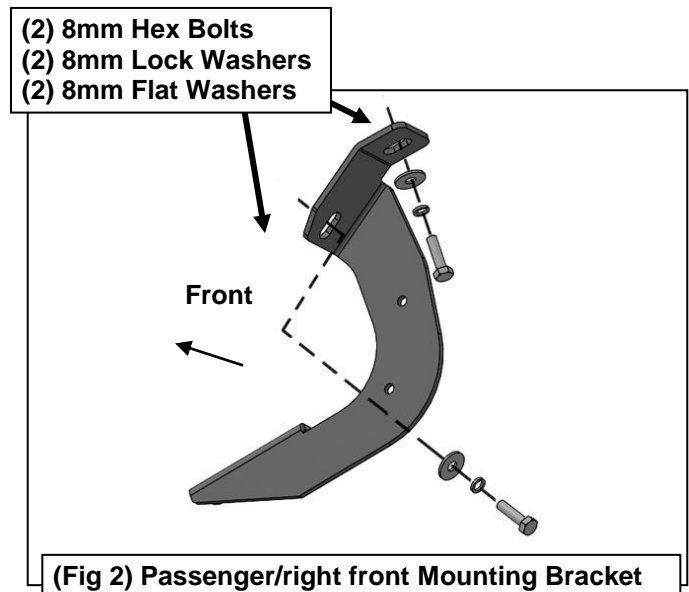
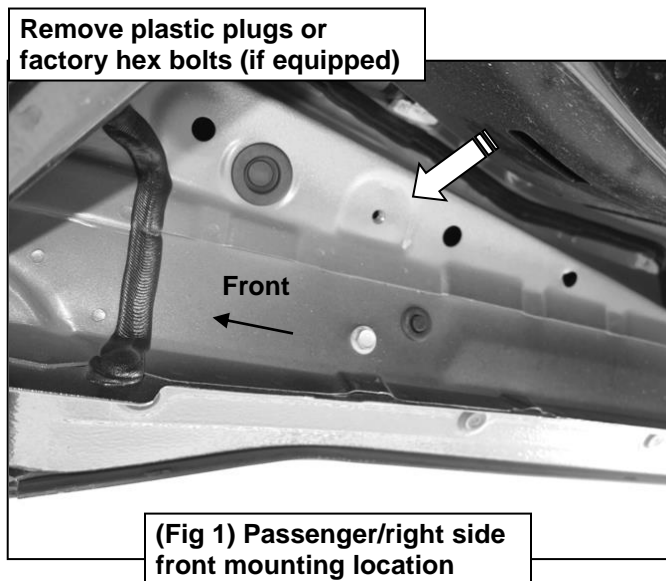
**PROCEDURE:**

- 1. REMOVE CONTENTS FROM BOX. VERIFY ALL PARTS ARE PRESENT. READ INSTRUCTIONS CAREFULLY. USE ILLUSTRATION TO IDENTIFY BRACKETS AND RUNNING BOARDS.**
- Starting on the passenger side, front of the vehicle, remove the plastic plugs or hex bolts covering the (2) threaded holes in the body panel, **(Figure 1)**. Select the passenger side Front Mounting Bracket, **(Figure 2)**. Attach the Bracket to the vehicle using the included (2) 8mm Hex Bolts, (2) 8mm Lock Washers and (2) 8mm Flat Washers, **(Figure 2)**. Do not tighten hardware at this time.
- Next, move to the center mounting location, **(Figure 4)**. **NOTE: Installation will use the 1st, 2nd and 4th** mounting locations for the Mounting Brackets.
- Select the passenger side center Mounting Bracket, **(Figure 3)**. **IMPORTANT:** The Center and Rear Brackets look similar but each one is unique. Use the illustration above and **Figure 3** to help identify each Bracket. Repeat **Step 2** to install the passenger side center Mounting Bracket, **(Figure 5)**.

- Continue to the last mounting location at the back of the cab, **(Figure 6)**. Repeat **Step 2** to install the passenger side Rear Bracket, **(Figure 7)**.
- Once all (3) Mounting Brackets have been fully installed, carefully unwrap the Passenger/right Sidebar. Use the illustration above to help determine the correct Sidebar. Place the Sidebar on top of the (3) Mounting Brackets. Locate the channels in the bottom of the Sidebar. Select (3) 8mm Double Bolt Plates, **(Figure 8)**. Insert the Bolt Plates into the channels in the bottom of the Sidebar closest to the Brackets, **(Figure 9)**. Lift the Sidebar up and guide the studs down through the Brackets.
- Attach the Sidebar to the Mounting Brackets with the included (6) 8mm Flat Washers (6) 8mm Lock Washers and (6) 8mm Hex Nuts, **(Figures 10—12)**. Do not tighten at this time.
- Level and adjust the Sidebar as desired and tighten all hardware.
- Repeat **Steps 2—8** for Driver/left Sidebar installation.
- Do periodic inspections to the installation to make sure that all hardware is secure and tight.

**To protect your investment**, wax this product after installing. Regular waxing is recommended to add a protective layer over the finish. Do not use any type of polish or wax that may contain abrasives that could damage the finish. Mild soap may be used to clean the Sidebar.

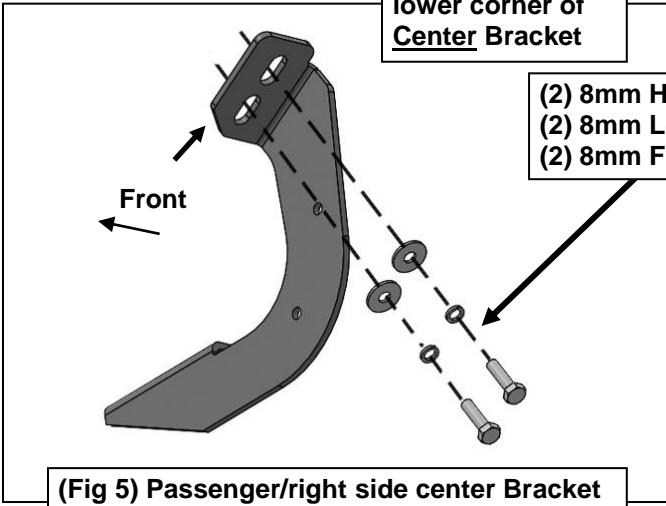
### Passenger Side Installation Pictured



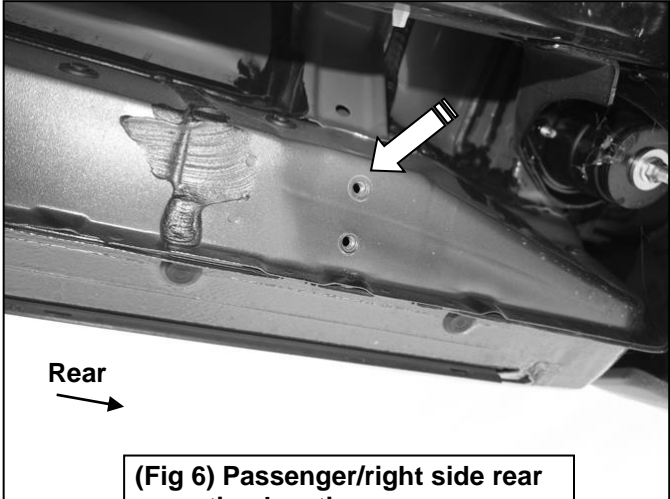
**Passenger Side Installation Pictured**

**NOTE: (1) Cut on lower corner of Center Bracket**

- (2) 8mm Hex Bolts
- (2) 8mm Lock Washers
- (2) 8mm Flat Washers



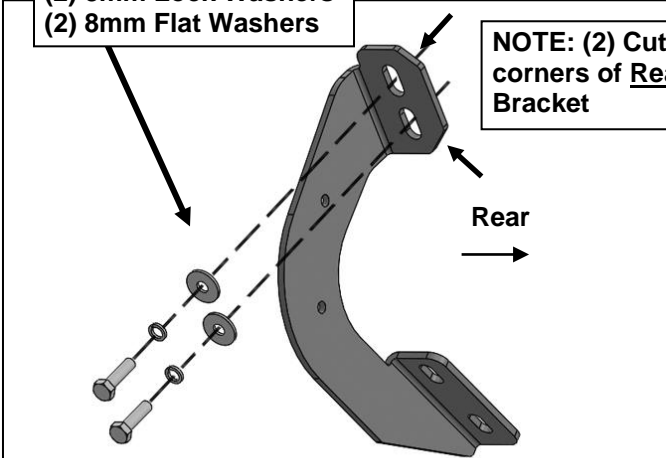
**(Fig 5) Passenger/right side center Bracket**



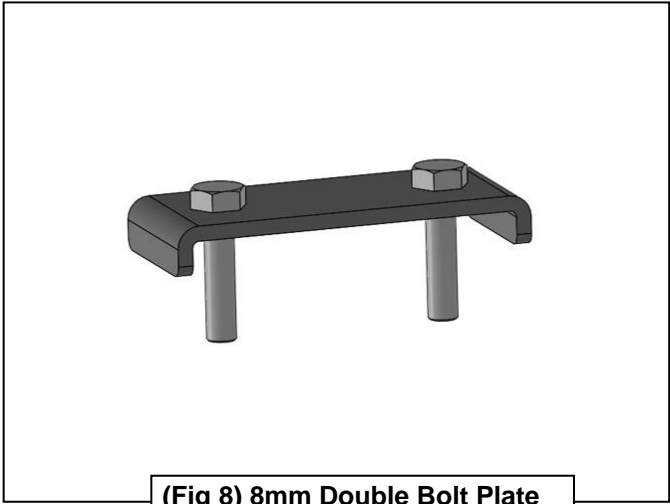
**(Fig 6) Passenger/right side rear mounting location**

- (2) 8mm Hex Bolts
- (2) 8mm Lock Washers
- (2) 8mm Flat Washers

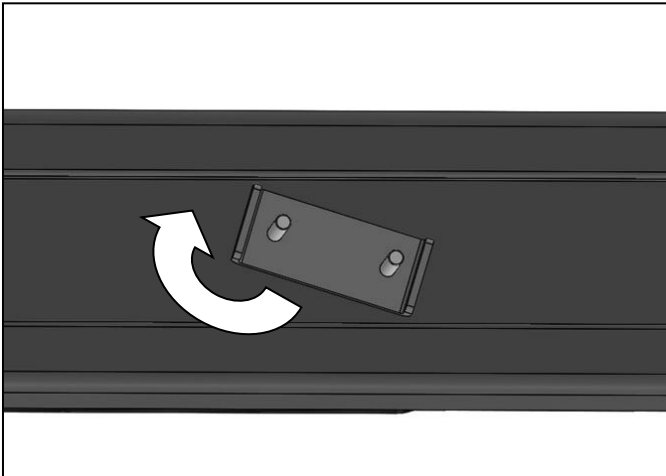
**NOTE: (2) Cuts on corners of Rear Bracket**



**(Fig 7) Passenger/right side Rear Bracket attached to body panel illustrated**

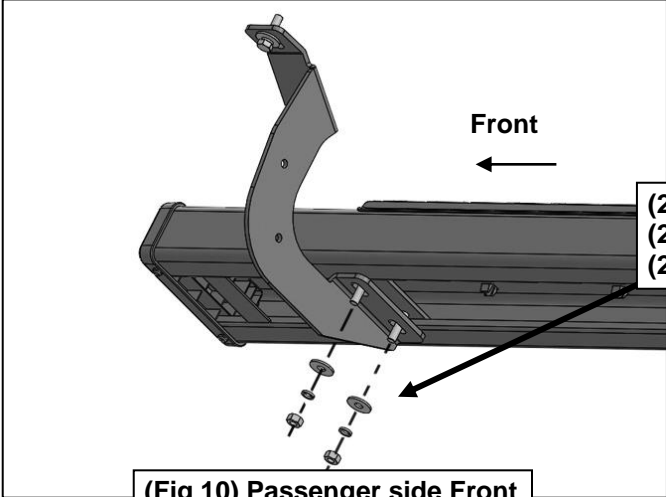


**(Fig 8) 8mm Double Bolt Plate**

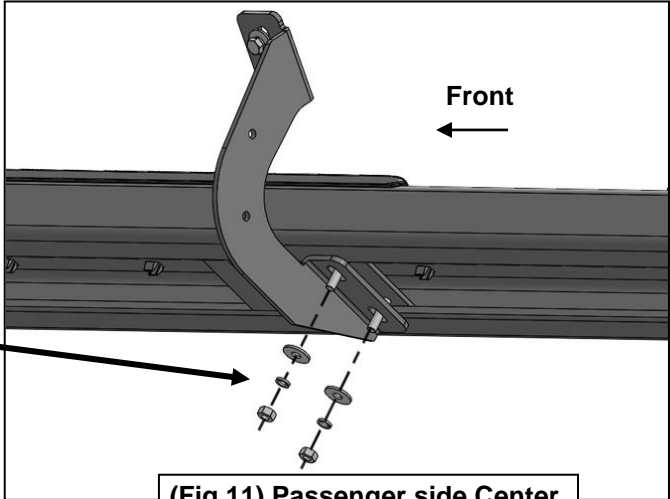


**(Fig 9) Slide 8mm Double Bolt Plate into channel**

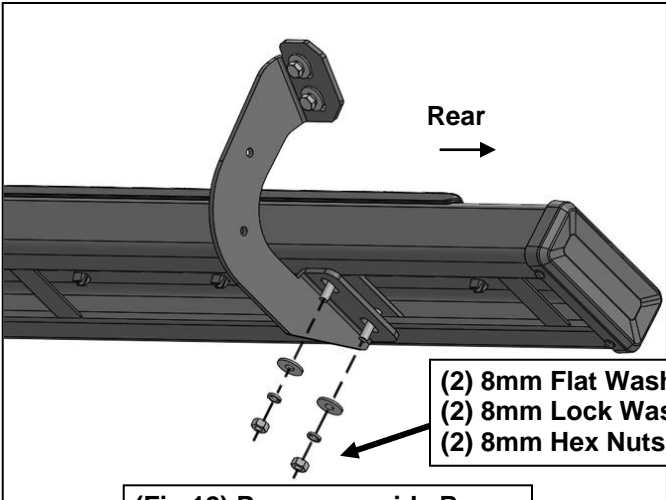
**Passenger Side Installation Pictured**



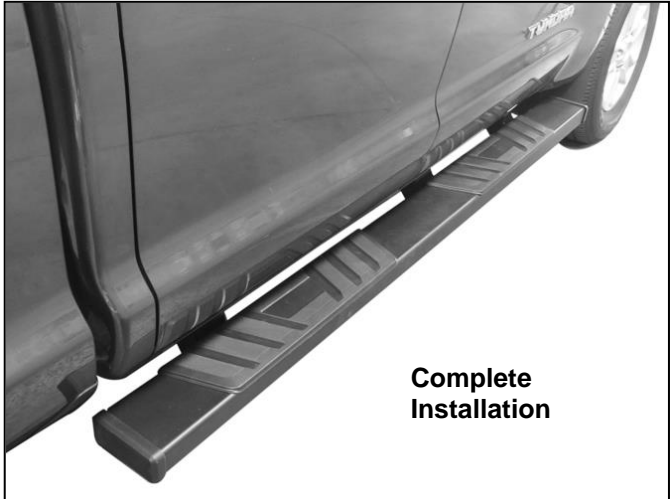
**(Fig 10) Passenger side Front Bracket attached to Sidebar**



**(Fig 11) Passenger side Center Bracket attached to Sidebar**



**(Fig 12) Passenger side Rear Bracket attached to Sidebar**



**Complete Installation**