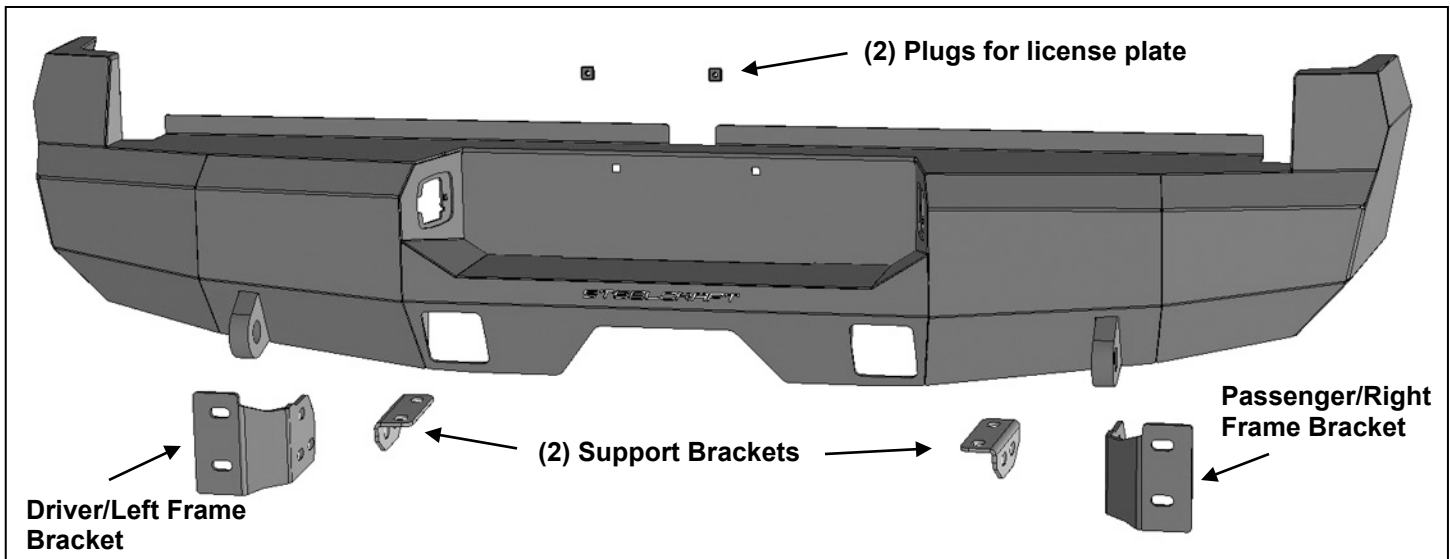




FORTIS REAR BUMPER 2005-15 TOYOTA TACOMA

PARTS LIST:

1	Rear Bumper Assembly	4	14mm Lock Washers
1	Driver/Left Frame Bracket	4	14mm x 28mm x 2.5mm Flat Washers
1	Passenger/Right Frame Bracket	8	12mm x 40mm Hex Bolts
2	Support Brackets	16	12mm x 32mm x 3mm Flat Washers
2	Plastic Plugs (license plate mount)	8	12mm Nylon Lock Nuts
4	14-1.5mm x 55mm Fine Thread Hex Bolts		



PROCEDURE:

REMOVE CONTENTS FROM BOX. VERIFY ALL PARTS ARE PRESENT. READ INSTRUCTIONS CAREFULLY BEFORE STARTING INSTALLATION. BUMPER IS HEAVY, ASSISTANCE IS RECOMMENDED TO AVOID POSSIBLE INJURY OR DAMAGE TO THE VEHICLE.

1. Remove the license plate from the bumper. Next, unplug the license plate lights and trailer plug, (**Figure 1**). Disconnect all wiring harnesses leading to the rear bumper and move harnesses away from bumper.

2. **Determine if vehicle is equipped with factory receiver hitch**

Models without receiver hitch or with light duty aftermarket hitch:

- a. Place blocks or jack stands under the bumper to support it during mounting bolt removal. Once the bumper has been safely supported, remove the factory hex bolts, (3 per side), attaching the bumper brackets to the sides of the frame and slide the bumper assembly off of the vehicle. Do not remove hitch if equipped.

Models with factory receiver hitch and tow package:

- a. Remove the hardware attaching the bumper to the bottom of the receiver hitch, (**Figure 2**).
- b. Remove the plastic cover from the top of the bumper, (**Figure 3**). **NOTE:** Cover is attached at top, back and bottom by several plastic clips. Use a small flat blade screwdriver to carefully pry up the center pin to release clips.
- c. Place blocks or jack stands under the bumper to support it during mounting bolt removal. Once the bumper has been safely supported, remove the factory hardware attaching the bumper to the top and sides of the receiver hitch and remove the bumper, (**Figures 3—5**). **NOTE:** Leave hitch attached to vehicle.

3. Release the clips securing the trailer plug and remove the plug. Remove license plate lights.
4. **Optional accessory light installation**, (sold separately).

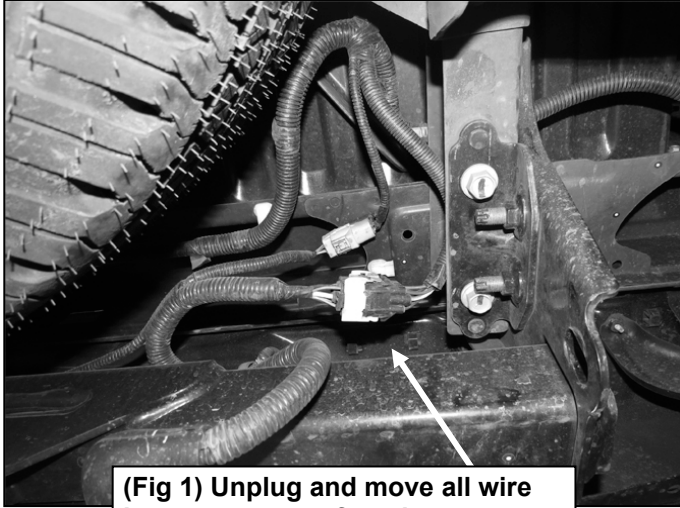
**FORTIS REAR BUMPER
2005-15 TOYOTA TACOMA**

- a. Attach light to mounting tab on back of bumper. Repeat to install remaining light, **(Figure 6)**.
- b. Follow light manufacturer's instructions for adjustment and to properly wire the light to the vehicle electrical system after Bumper installation.
5. Select the driver/left Frame Mounting Bracket. Attach the Bracket to the mounting plate on the back of the Bumper with the included (2) 12mm Hex bolts, (4) 12mm Flat Washers and (2) 12mm Nylon Lock Nuts, **(Figure 6)**. Do not fully tighten hardware at this time. Repeat to attach the passenger/right Frame Bracket to the Bumper.
6. **Models without receiver hitch or with light duty aftermarket hitch, (models with factory HD receiver hitch and tow package, skip to Step 7):**
 - a. Select (1) Support Bracket, **(Figure 7)**. Attach the Bracket to the bottom of the frame with the included (2) 14mm Fine Thread Hex Bolts, (2) 14mm Lock Washers and (2) 14mm Flat Washers.
 - i. On models with aftermarket hitch, remove the (2) bolts attaching the driver/left side of hitch only, **(Figure 8)**.
 - ii. Insert Support Bracket between frame and hitch. Reinsert factory bolts or use the included (2) 14mm Fine Thread Hex Bolts, (2) 14mm Lock Washers and (2) 14mm Flat Washers to attach Bracket and hitch, **(Figure 8)**.
 - b. Do not fully tighten hardware at this time.
 - c. Repeat the previous Steps to install the passenger/right Support Bracket.
7. With assistance, hold the Bumper assembly with Brackets up to the outside of the frame and/or hitch. Temporarily support the weight of the Bumper. **WARNING:** To avoid possible injury or damage to the vehicle, do not proceed until the bumper is fully and safely supported.
Models without factory receiver hitch or with light duty aftermarket hitch:
 - a. Reuse (1) factory hex bolt to attach the top mounting hole in the driver/left Bracket to the side of the frame. **(Figures 9)**. Use (2) 12mm Hex Bolts, (4) 12mm Flat Washers and (2) 12mm Nylon Lock Nuts to attach the Frame Bracket to the Support Bracket, **(Figures 9 & 10)**. Do not fully tighten hardware.
 - b. Repeat the previous Step to attach the passenger/right Bracket to the vehicle.**Models with factory receiver hitch and tow package**
 - a. Reuse the (3) factory hex bolts to attach the driver/left Bracket to the outside of the hitch and factory support bracket, **(Figures 11)**.
 - b. Repeat to attach the passenger/right Bracket to the vehicle.
8. Level and adjust the bumper and fully tighten all hardware. Slowly open tailgate and check for clearance. Adjust as necessary.
9. Attach the wiring harness to the trailer plug. Secure the wiring harness to the frame as necessary.
10. Use the included (2) push-in plugs to attach the license plate to the Bumper, **(Figure 12)**. Insert the License Plate Lights into the holes in the Bumper, **(Figure 13)**. Connect the harness to the License Plate Lights.
11. Do periodic inspections to the installation to make sure that all hardware is secure and tight.

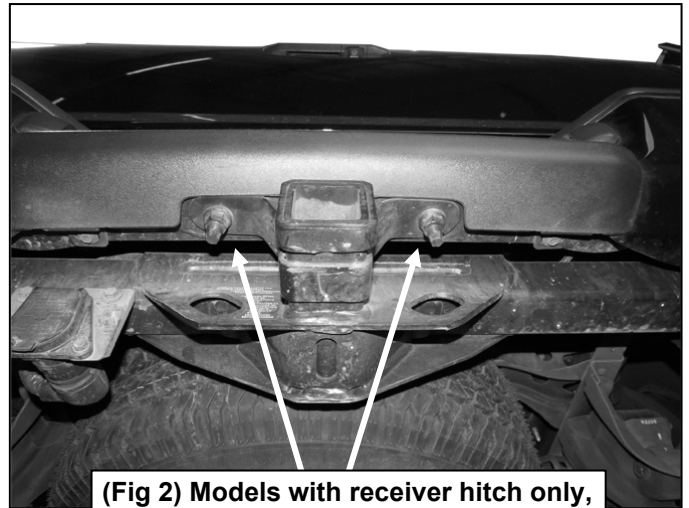
To protect your investment, Do not use any type of polish or wax that may contain abrasives that could damage the finish. Mild soap may be used to clean the Rear Bumper assembly.

**FORTIS REAR BUMPER
2005-15 TOYOTA TACOMA**

Driver/left Side Installation Pictured



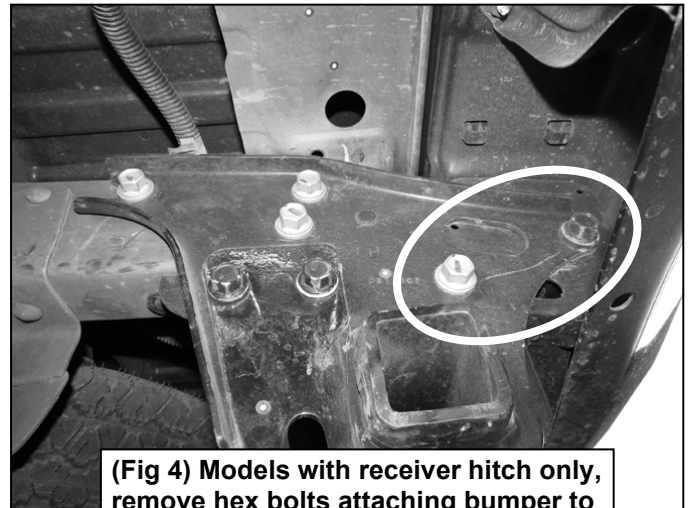
(Fig 1) Unplug and move all wire harnesses away from bumper



(Fig 2) Models with receiver hitch only, remove hex bolts attaching bumper to bottom of receiver hitch



(Fig 3) Models with receiver hitch only, remove plastic cover from top of bumper to access hex bolts attaching bumper to top of receiver hitch



(Fig 4) Models with receiver hitch only, remove hex bolts attaching bumper to the side of the receiver hitch

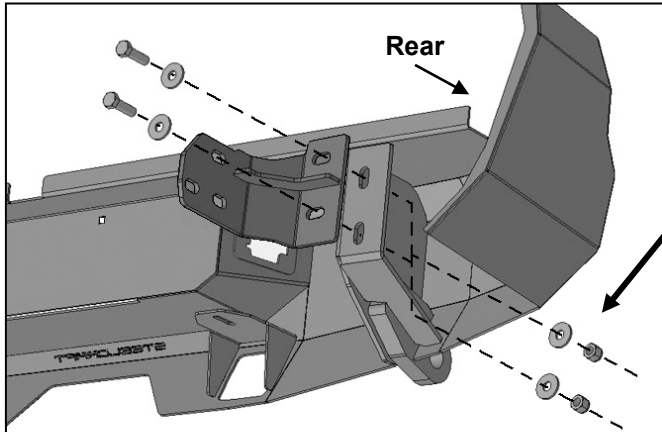


(Fig 5) Models with receiver hitch only, remove bumper but leave receiver hitch attached

WARNING! To avoid injury or damage to the vehicle, do not remove bumper bolts unless the bumper is properly supported on blocks and/or stands or the bumper may fall.

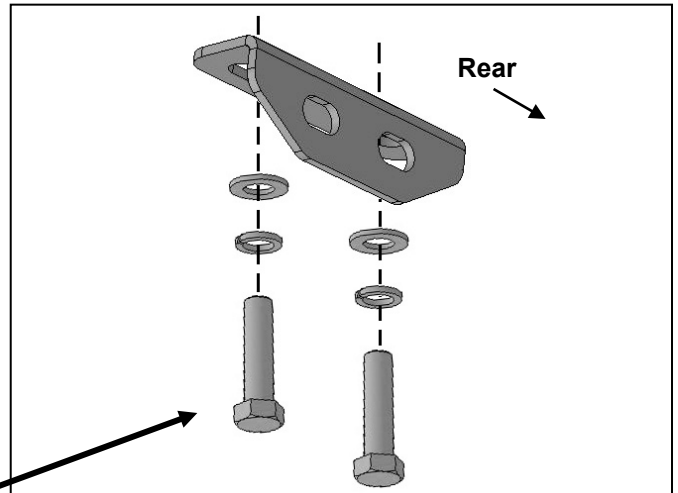
**FORTIS REAR BUMPER
2005-15 TOYOTA TACOMA**

Driver/left Side Installation Pictured



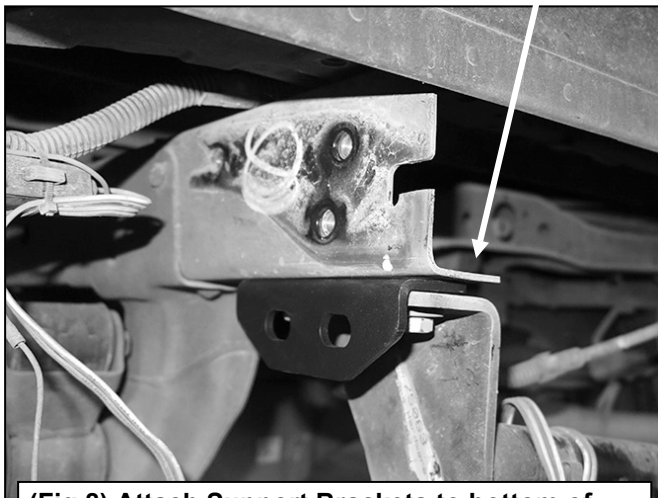
(Fig 6) Attach Driver/Left Frame Bracket to back of Bumper. Leave hardware loose at this time

- (2) 12mm x 40mm Hex Bolts
- (4) 12mm Flat Washers
- (2) 12mm Nylon Lock Nuts



(Fig 7) Attach Support Brackets to frame (required on models without receiver hitch only)

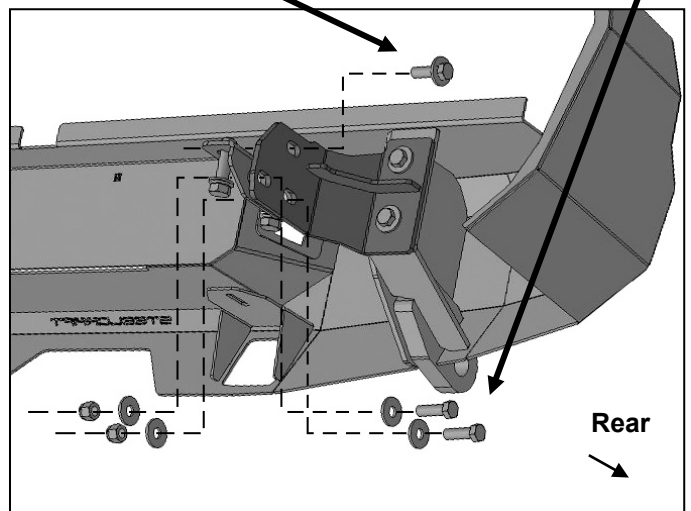
- (2) 14mm x 55mm Hex Bolts
- (2) 14mm Lock Washers
- (2) 14mm Flat Washers



(Fig 8) Attach Support Brackets to bottom of frame. On models with aftermarket hitch, insert Bracket between bottom of frame and hitch

WARNING! To avoid injury or damage to the vehicle, do not install bumper unless the bumper is properly supported on blocks and/or stands or the bumper may fall.

- Reuse (1) factory bumper bolt
- (2) 12mm x 40mm Hex Bolts
- (4) 12mm Flat Washers
- (2) 12mm Nylon Lock Nuts

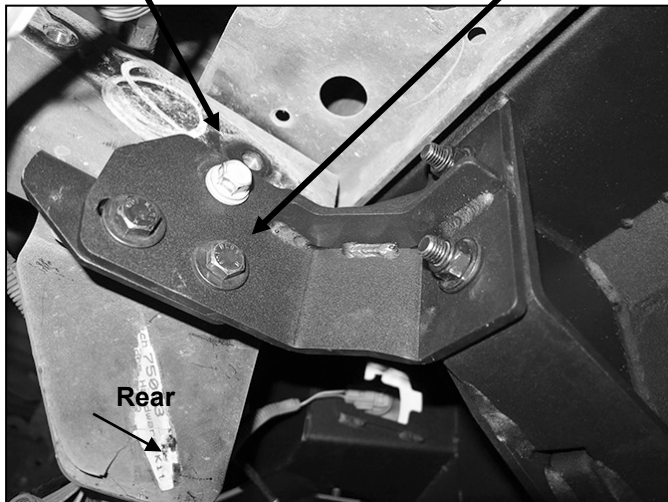


(Fig 9) Driver/left side without hitch illustrated

Driver/left Side Installation Pictured

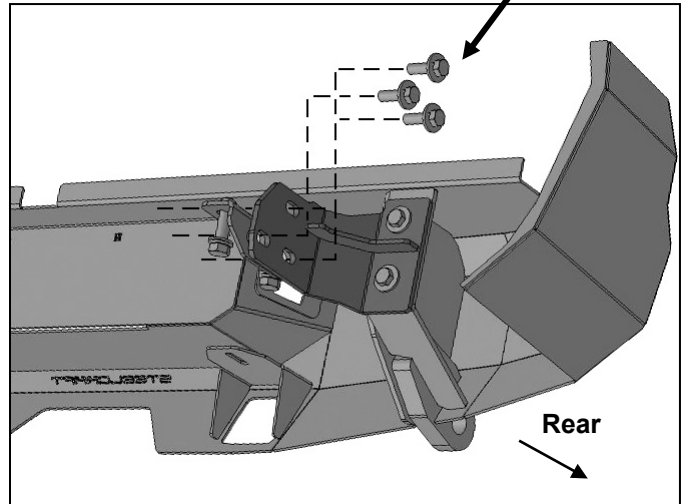
Reuse (1) factory bumper bolt

(2) 12mm x 40mm Hex Bolts
(4) 12mm Flat Washers
(2) 12mm Nylon Lock Nuts

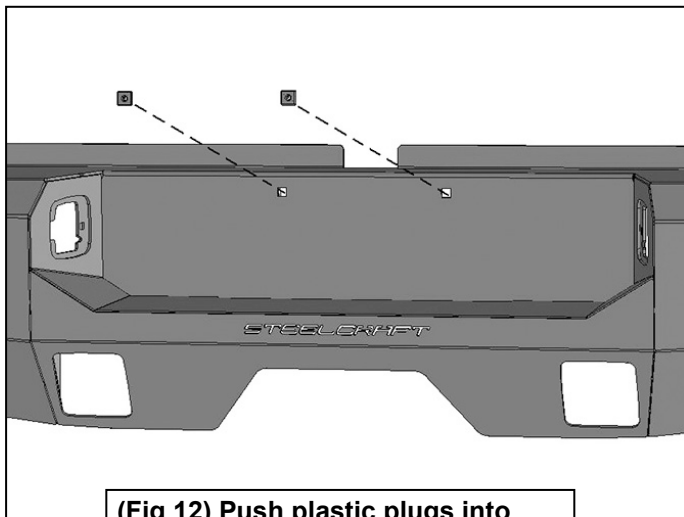


(Fig 10) Driver/left side Bumper Bracket attached to frame and Support Bracket (without factory HD hitch)

Reuse (3) factory bumper bolts

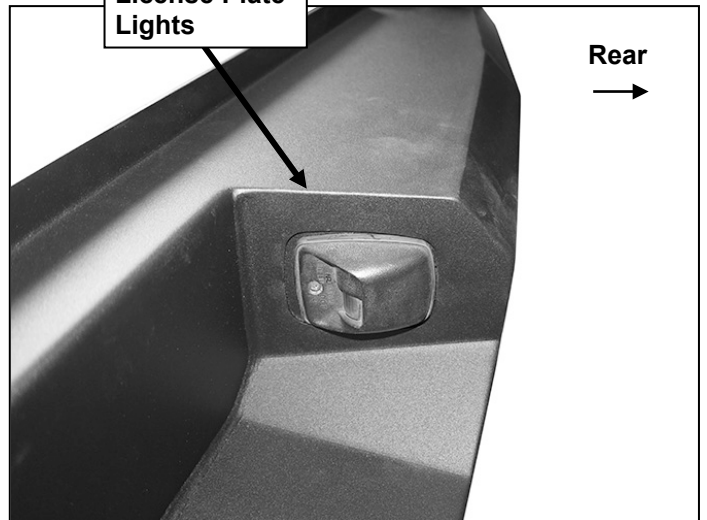


(Fig 11) Driver/left side Bumper Bracket attached to frame and Support Bracket (model with factory HD hitch and tow package)



(Fig 12) Push plastic plugs into holes in Bumper for license plate

License Plate Lights



(Fig 13) Attach license plate lights