

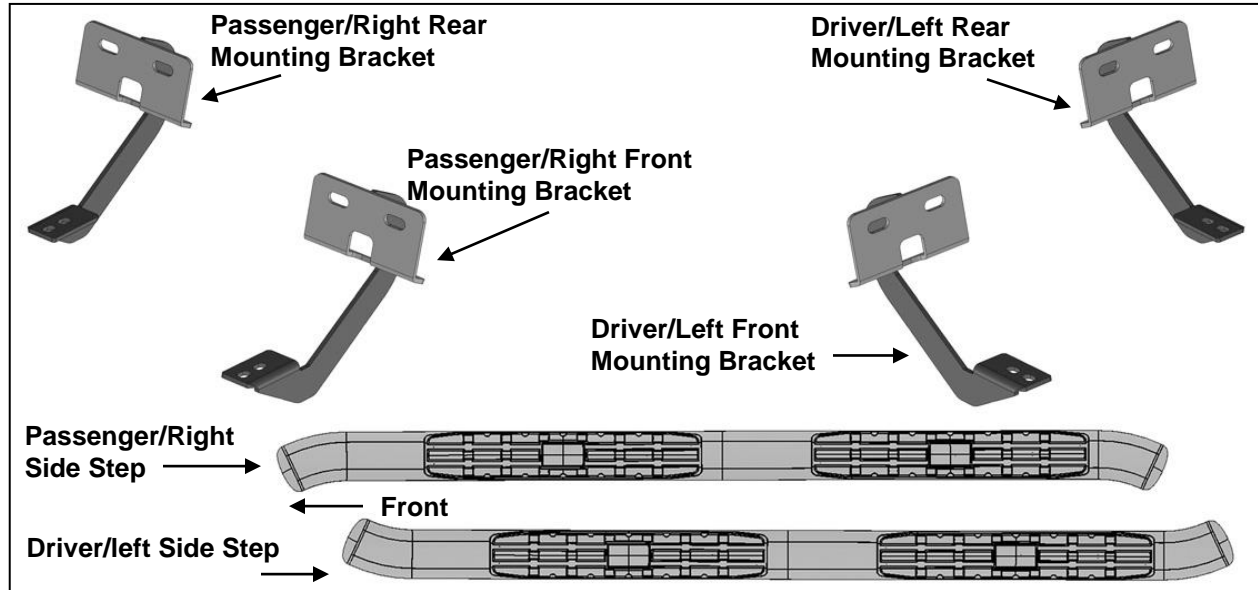
INSTALLATION INSTRUCTIONS

4X SERIES 4" BENT END SIDE STEPS

09-14 FORD F-150 SUPER CAB

PARTS LIST:

1	Driver/Left Side Bar	8	8-1.25mm x 30mm Hex Bolts
1	Passenger/Right Side Bar	8	8-1.25mm x 25mm Hex Bolts
2	Driver/Left Front-Passenger/Right Rear Brackets	8	8mm x 28mm OD x 3mm Large Flat Washers
2	Passenger/Right Front-Driver/Left Rear Brackets	16	8mm x 24mm OD x 2mm STD Flat Washers
8	8mm Deep Clip Nuts	16	8mm Lock Washers
8	8mm x 25mm Combo Bolts	8	8mm Hex Nuts



PROCEDURE:

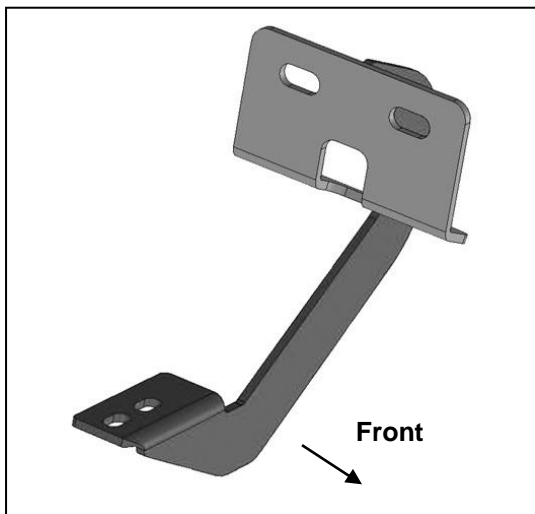
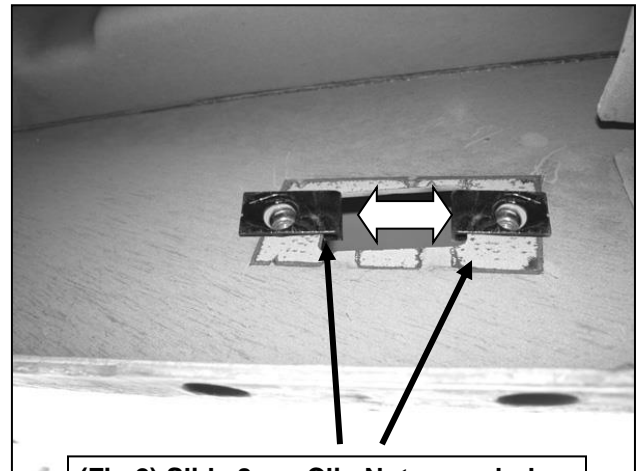
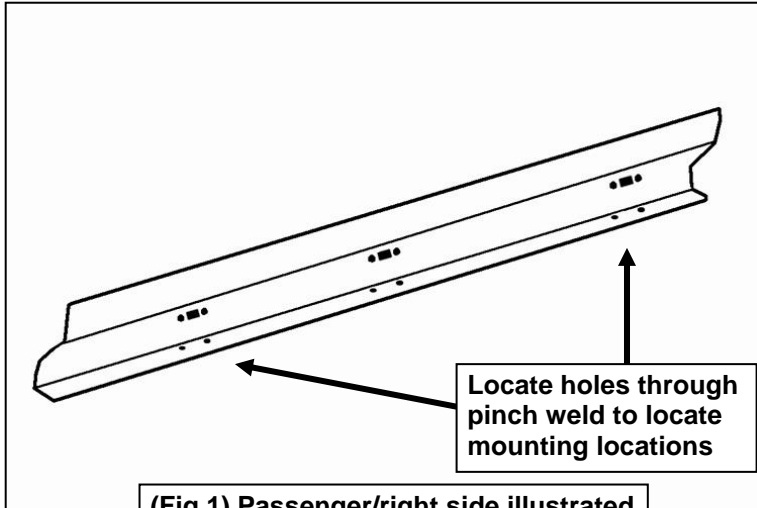
1. REMOVE CONTENTS FROM BOX. VERIFY ALL PARTS ARE PRESENT. READ INSTRUCTIONS CAREFULLY BEFORE STARTING INSTALLATION.
2. Starting on the passenger side of the vehicle, locate the (2) holes in the bottom of the body panel, (pinch weld), toward the front tire. Next, locate the rectangular opening and (2) small holes in the inner body panel directly above the holes in the pinch weld, **(Figures 1 & 2)**. **NOTE:** The holes in the inner panel may be covered with sealing tape or insulation.
3. Slide (1) 8mm Clip Nut into the rectangular opening with the nut towards the inside. Line up the threaded nut on the clip with the round hole, **(Figure 2)**. Repeat to install the 2nd 8mm Clip Nut in remaining hole location.
4. Select the passenger side front Bracket, **(Figure 3)**. Attach the top of the Bracket to the (2) Clip Nuts with the included (2) 8mm x 30mm Hex Bolts, (2) 8mm Lock Washers and (2) 8mm x 28mm Large Flat Washers, **(Figure 4)**. Do not tighten hardware at this time. **NOTE:** The cradle on the front Bracket will face to the rear of the vehicle.
5. Align the bottom holes in the front Bracket with the (2) holes in the pinch weld. Attach the Bracket to the pinch weld with the included (2) 8mm x 25mm Hex Bolts, (4) 8mm STD Flat Washers, (2) 8mm Lock Washers and (2) 8mm Hex Nuts, **(Figure 4)**. **NOTE:** Insert the bolts up from the bottom of the pinch weld and through the Bracket. Do not tighten hardware at this time.
6. Continue along the cab to the rear mounting location. Locate the last (2) mounting holes in the pinch weld towards the back of the cab, **(Figure 1 & 6)**. Select the passenger side rear mounting Bracket, **(Figure 5)**. Repeat **Steps 2—5** for rear mounting Bracket installation, **(Figure 6)**. **NOTE:** The cradle on the rear Bracket will face the front of the vehicle.
7. Carefully position the Side Step onto the mounting Brackets. **IMPORTANT:** Do not slide, (front to back or rotate), the Side Step on the Brackets or damage to the finish may result. Attach the Side Step to the Mounting Brackets with (4) 8mm x 25mm Combo Bolts, **(Figures 7 & 8)**. Do not tighten hardware.
8. Level and adjust the Side Step properly and tighten all hardware.
9. Repeat **Steps 2—8** for driver/left Side Step installation.
10. Do periodic inspections to the installation to make sure that all hardware is secure and tight.

To protect your investment, wax this product after installing. Regular waxing is recommended to add a protective layer over the finish. Do not use any type of polish or wax that may contain abrasives that could damage the finish.

For stainless steel: Aluminum polish may be used to polish small scratches and scuffs on the finish. Mild soap may be used also to clean the Side Step.

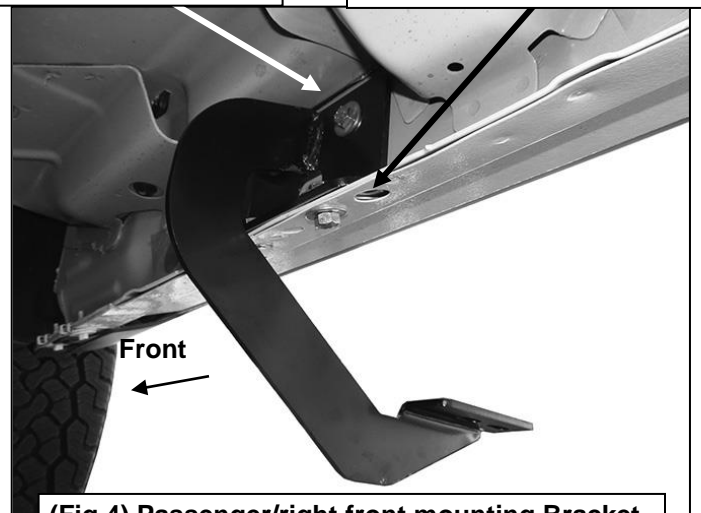
For gloss black finishes: Mild soap may be used to clean the Side Step.

Passenger Side Installation Pictured

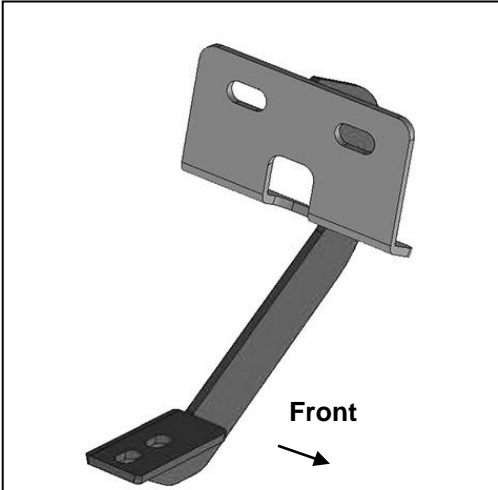


- (2) 8mm x 30mm Hex Bolts
- (2) 8mm Lock Washers
- (4) 8mm x 28mm Large Flat Washers

- (2) 8mm x 25mm Hex Bolts
- (4) 8mm STD Flat Washers
- (2) 8mm Lock Washers
- (2) 8mm Hex Nuts



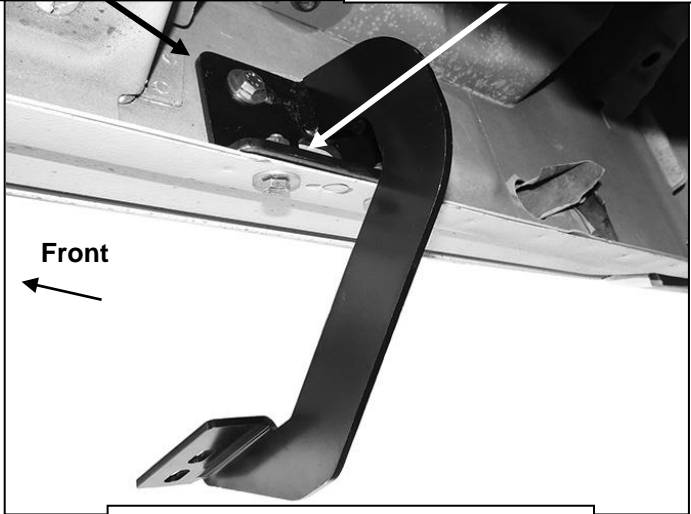
Passenger Side Installation Pictured



(Fig 5) Passenger/right rear Bracket

- (2) 8mm x 30mm Hex Bolts
- (2) 8mm Lock Washers
- (4) 8mm x 28mm Large Flat Washers

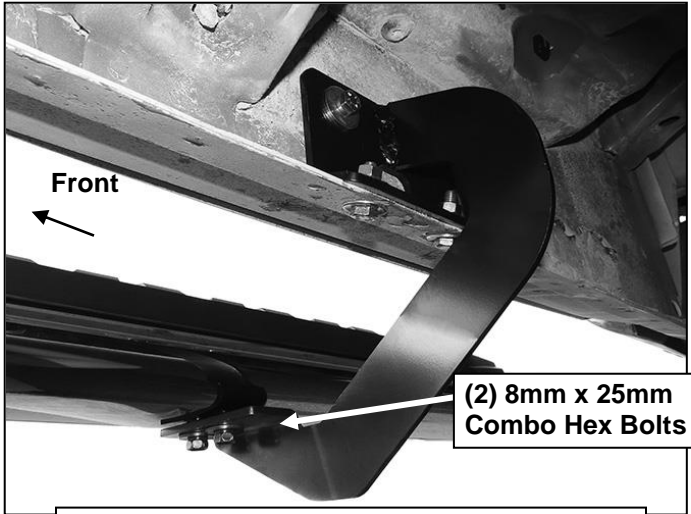
- (2) 8mm x 25mm Hex Bolts
- (4) 8mm STD Flat Washers
- (2) 8mm Lock Washers
- (2) 8mm Hex Nuts



(Fig 6) Passenger/right rear Bracket



(Fig 7) Passenger/right front Bracket installation



(Fig 8) Passenger/right rear Bracket installed



Complete Installation