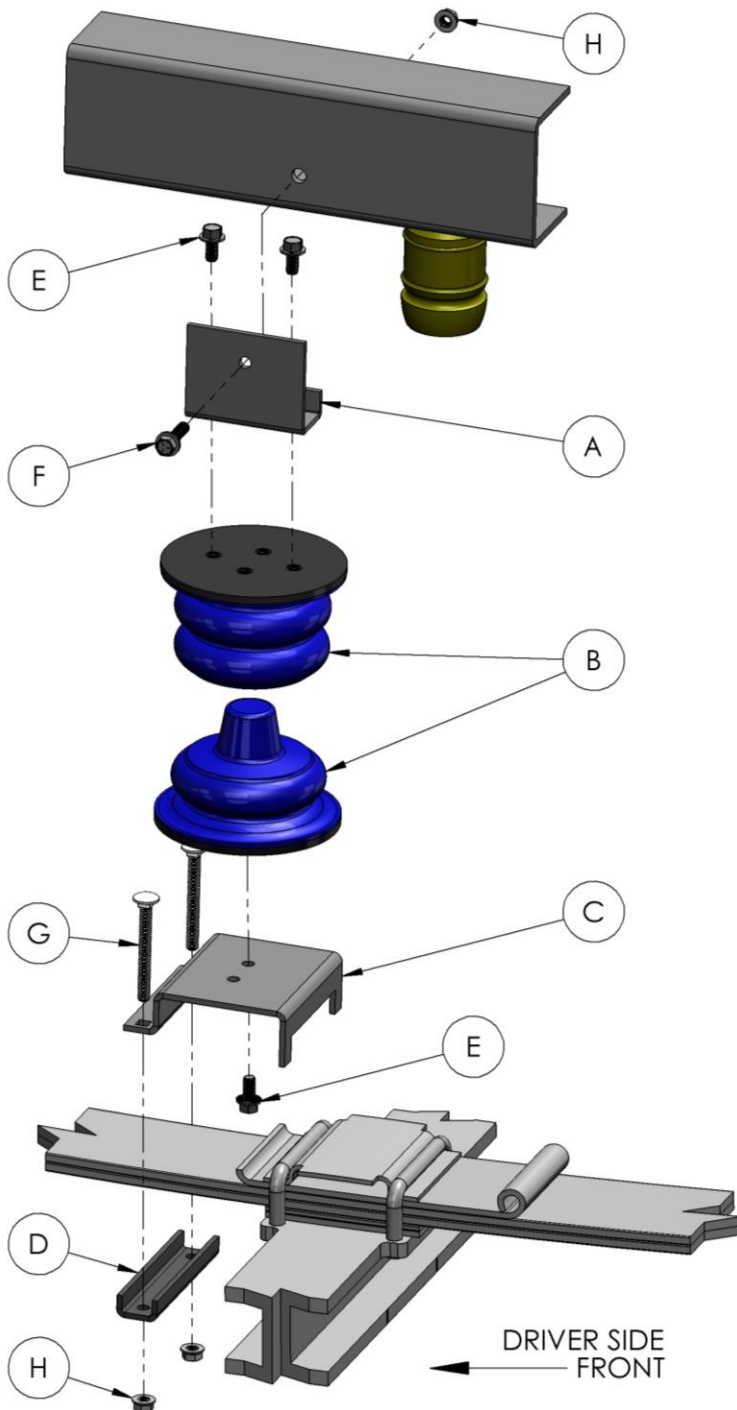


SumoSprings Front

Ford F53 Motor Home, 16K-22K GVWR, 2004-2007

Part #SSF-171-40-2



<u>Part #</u>	<u>Description</u>	<u>Qty.</u>	<u>Item</u>
512035	Upper bracket	2	A
511419	SumoSpring	2	B
512110	Lower bracket	2	C
512042	U-bracket strap	2	D
512207	3/8-16 x 3/4" serrated flange hex bolt	6	E
512301	3/8-16x 1.5" serrated flange hex bolt	2	F
512211	3/8-16 x 3.5" carriage bolts	4	G
512302	3/8-16 locking flange nut	6	H



Installation Instructions

- 1) Park vehicle on level hard surface. Engage emergency brake. Place blocks in front and behind rear wheels to prevent rolling. Observe all safety precautions and wear safety glasses.
- 2) Raise front of vehicle allowing the axle to hang freely. Support the frame using safety jack stands.
- 3) Remove the lower bracket (item C), upper bracket (item A), and SumoSprocket (item B). Attach the upper bracket to the top of the SumoSprocket using two 3/8-16 x 3/4" flanged hex bolts (item E). While consulting the diagrams above attach the lower bracket to the bottom of the SumoSprocket to the correct orientation using a single 3/8"-16 flanged hex bolt (Item E). Please note that the lower bracket attachment utilizes the inside hole or the hole closest to the frame.(see diagram on page 1)
- 4) Place the assembly on the factory spring-pack ensuring orientation is correct (see diagram on page 1).
- 5) Insert two 3/8"-16 x 3 1/2" carriage bolts (Item G) through the two square openings in the lower bracket.
- 6) Attach the u-bracket strap (item D) to the two carriage bolts using two 3/8" locking flange nuts (Item H).
- 7) Utilizing the jacks lower the front of the vehicle so that the upper bracket comes in contact with the frame. When it is tight to the bottom and side of the frame, use the hole in the bracket as a guide to drill a 3/8 hole in the frame.

- 8) Secure the top bracket to the frame using one 3/8-16 serrated flange bolt (Item F) and one 3/8-16 locking flange nut (Item H).
- 9) Repeat steps three through eight on the other side of the vehicle.
- 10) Jack up vehicle, remove safety jack stands.
- 11) Carefully lower vehicle to the hard surface. Remove the blocks in front and back of the rear wheels.
- 12) Release emergency brake.
- 13) Fill out warranty card and send to SuperSprings. The warranty card is on the reverse side of this page.

Important Notice.

- 1) For easy installation please read instructions completely first and have all necessary tools available.
- 2) We recommend that this installation be done by a professional or persons with sound mechanical knowledge.
- 3) SumoSprings are designed to work with the original factory springs only. If they have been replaced with aftermarket springs then please consult with Supersprings International.
- 4) These instructions are meant as a guide for the installation of SumoSprings. SuperSprings International assumes no liability for the actual installation process. Installers should apply common automotive safety practices when raising, lowering and working on vehicles.
- 5) SumoSprings are designed to enhance the vehicles load carrying performance and road handling however it does not authorize (or recommend) loading beyond the manufacturer's GVWR specifications.

To prevent damage to the vehicle and to ensure safety, do not exceed the maximum load recommended by the vehicles manufacturer (GVWR).