

# T-REX TRUCK PRODUCTS INC.

## 20250

(16250P)

94-97 CHEVY

S-10 & Blazer

Sealed Beam Headlights

**PHANTOM**

## 20250

(16250P)

94-97 CHEVY

S-10 & Blazer

Sealed Beam Headlights

**PHANTOM**

### 94-97 Chevy S-10 Truck and Blazer

#### For Sealed Beam Style Headlamps

(2 PC. headlight & corner light)

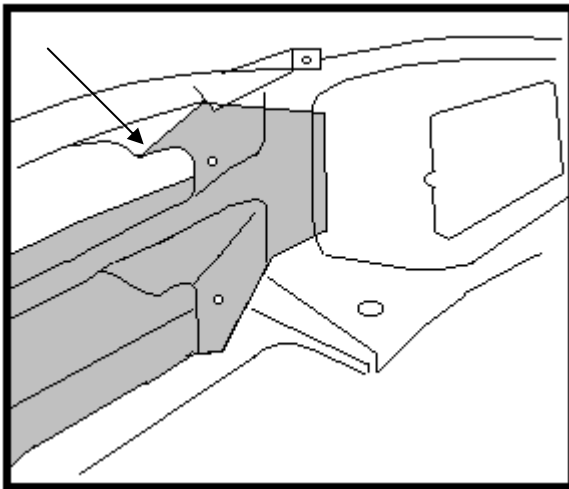
#### Tools Required:

Drill & 1/8" Drill Bit  
Rivet Gun  
Die Grinder w/ Cut-Off Wheel  
Files / Sandpaper

#### Hardware / Parts Included:

1 - Billet Insert (13 bars)  
6 - 1/8 Rivets

### Read and understand instructions before attempting installation



#### Step 1.

Remove the factory grille. Center the billet behind the grille shell. Cut the center out from the center of the factory grille (shown by the shaded area in the diagram). Be sure not to cut the area needed to rivet the billet in place (see arrow). Do not cut the mounting tabs needed to re-install the grille assembly. A small portion of the plastic inside the side marker light mounting area must be trimmed for the billet to fit.

#### Step 2.

After cutting, Test fit the billet into the shell. Trim any excess material not needed so the billet sits flush to the shell. File the cuts smooth.

#### Step 3.

There are four vertical dowels on the billet. The billet will be riveted on top and bottom. Center the billet into the opening. Securely hold the billet in place. Drill a 1/8" hole at each mounting area. Rivet the billet to the shell. Re-install the grille assembly onto the vehicle.

*Thank you for purchasing a T-Rex Billet Grille.*

4/29/04 T-Rex Truck Products Inc.